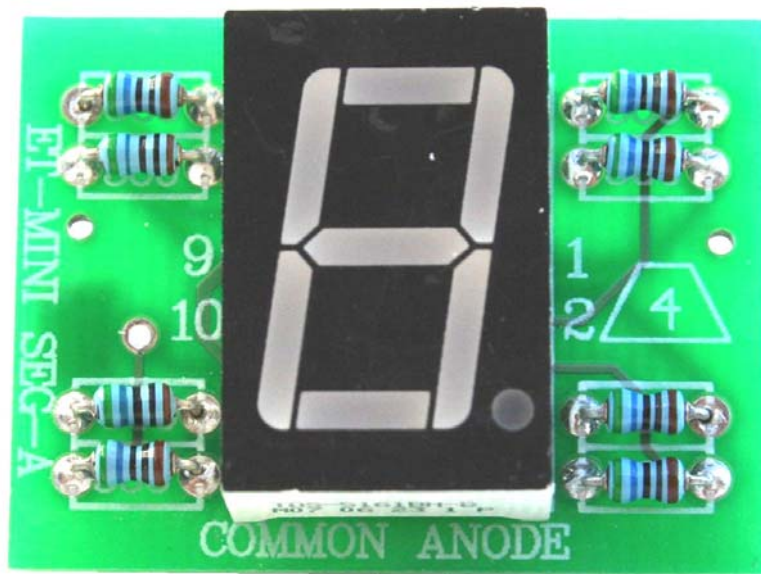


**MR-MINI-7SEG-CA™ Mini 7-Segment Common Anode  
User Manual**

# GRAVITECH.US



# *uResearch*

**GRAVITECH GROUP**

**Copyright © 2007 MicroResearch**  
GRAVITECH GROUP WWW.GRAVITECH.US

# MR-MINI-7SEG-CA™ Mini 7-Segment Common Anode User Manual

## Description

The MR-MINI-7SEG-CA is a common anode 7-segment with integrated on-board current limited resistors. It is 10-PIN MRconnect® ready. It can be plug directly onto 10-PIN MRconnect® connector. User can interface the signal from I/O pins of any microcontroller to the connector on the bottom of the module. Figure 1 shown the bottom view of the connector.

The module can be interface by connect the common pin to VCC and pin a-dp to 8-bit I/O pins of any microcontroller. A segment can be light up by sending logic LOW to the display. It is easier to decode if user interface I/O pin of microcontroller as same as 7-segment's pin arrangement. PCB size is 1.20" x 0.90"

## Specifications:

- 10-PIN MRconnect® ready
- +5VDC supply voltage
- Onboard current limited resistors
- Small and compact in size
- Female header connector.

## Pin out:

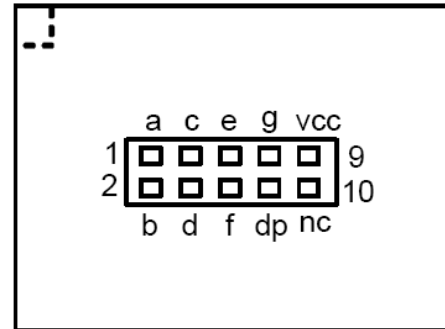
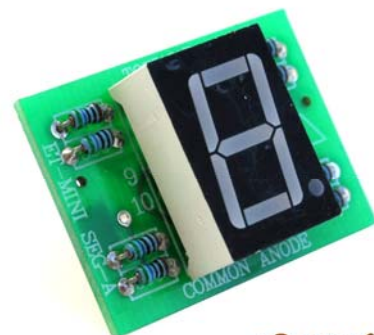


FIG 1: Bottom view pin out

Name	Type	Description
a, b, c, d, e, f, g, dp	Input	Segment input (send logic LOW to light up the segment)
VCC	PWR	Supply voltage ( <b>+5VDC</b> )
NC	NC	No connect



**uResearch**  
© 2007 Copyright. All Rights Reserved



**uResearch**  
© 2007 Copyright. All Rights Reserved

**Copyright © 2007 MicroResearch**  
GRAVITECH GROUP WWW.GRAVITECH.US

# MR-MINI-7SEG-CA™ Mini 7-Segment Common Anode User Manual

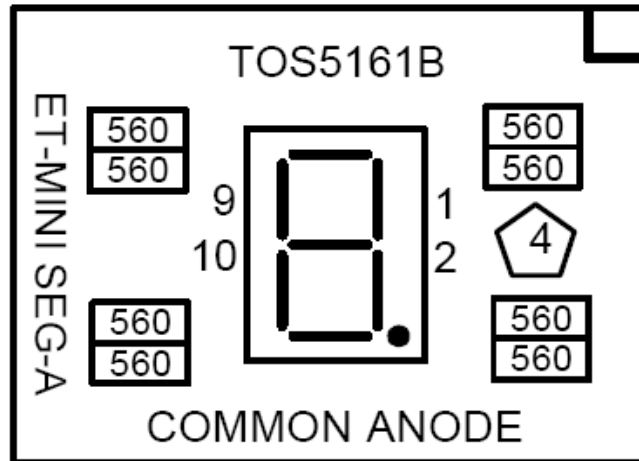


FIG 2: MR-MINI-7SEG-CA Board Layout

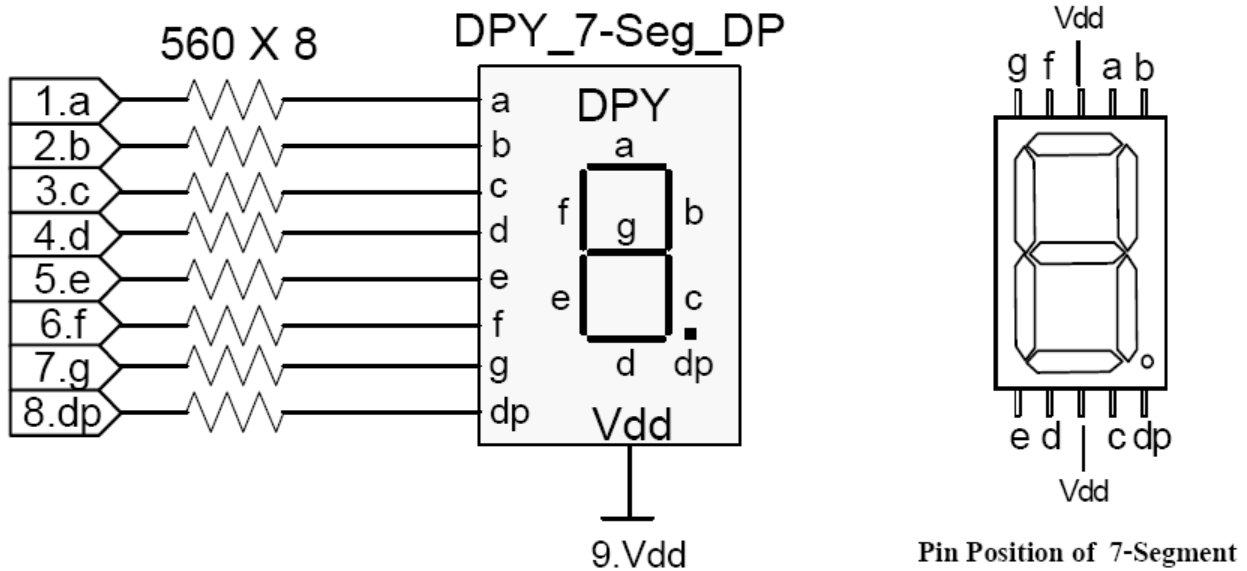


FIG 3: MR-MINI-7SEG-CA Schematic

**Copyright © 2007 MicroResearch**  
 GRAVITECH GROUP WWW.GRAVITECH.US

# MR-MINI-7SEG-CA™ Mini 7-Segment Common Anode User Manual

## Notes

## Contact Us

We maintain a website where you can get information on our products, obtain literature and download support files. Visit us online at:

**[WWW.GRAVITECH.US](http://WWW.GRAVITECH.US)**

Use our online Forum or e-mail your technical support questions to [support@gravitech.us](mailto:support@gravitech.us). We try to respond to your questions the same day.

For sales questions or to place an order, direct your e-mails to [sales@gravitech.us](mailto:sales@gravitech.us). Refer to our website for product pricing, shipping rates, payment instructions, and for other info we need to complete your order.

**Disclaimer: MicroResearch reserves the right to modify its products or literature, or to discontinue any product at any time without prior notice. The customer is responsible for determining the suitability of any device for any application developed using MicroResearch components.**

**Copyright © 2007 MicroResearch**  
GRAVITECH GROUP      WWW.GRAVITECH.US