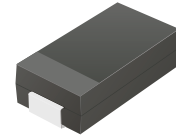


TV30C5V0-G Thru. TV30C441-G

Working Peak Reverse Voltage: 5.0 to 440 Volts

Power Dissipation: 3000 Watts

RoHS Device

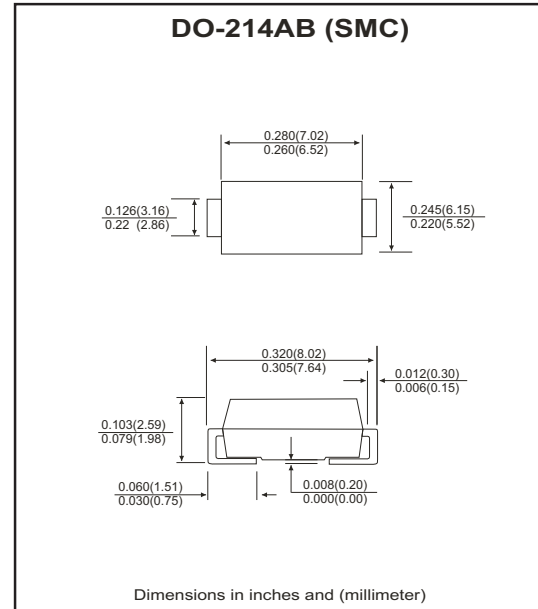


Features

- Ideally for surface mount applications.
- Easy pick and place.
- Plastic package has Underwriters Lab. flammability classification 94V-0.
- Typical IR less than 1 μ A above 10V.
- Fast response time: typically less than 1nS for uni-direction, less than 5nS for bi-direction, from 0V to BV min.
- Use in sensitive electronic protection against voltage transients induced by inductive load switching and lighting on ICs, MOSFET, signal lines of sensor units for consumer, computer, industrial, automotive and telecommunication.

Mechanical data

- Case: JEDEC DO-214AB, molded plastic.
- Terminals: solderable per MIL-STD-750, method 2026.
- Polarity: Color band denotes cathode end.
- Approx. weight: 0.21 grams



Maximum Ratings and Electrical Characteristics

Rating at 25 $^{\circ}$ C ambient temperature unless otherwise specified.
Single phase, half wave, 60Hz, resistive or inductive load.
For capacitive load, derate current by 20%.

Characteristics	Symbol	Value	Units
Peak power dissipation on 10/1000 μ S waveform (Note 1)	P _{PP}	3000	W
Peak pulse current on 10/1000 μ S waveform (Note 1)	I _{PP}	See Next Table	A
Steady state power dissipation at T _L =75 $^{\circ}$ C	P _D	6.0	W
Peak forward surge current, 8.3ms single half sine-wave superimposed on rated load, uni-directional only (Note 2)	I _{FSM}	300	A
Maximum instantaneous forward voltage at 100A for uni-directional only (Note 3)	V _F	3.5/5.0	V
Operating junction temperature	T _J	-55 to +150	$^{\circ}$ C
Storage temperature range	T _{STG}	-55 to +150	$^{\circ}$ C

Notes:

1. Non-repetitive current pulse, per Fig. 5 and derated above T_A=25 $^{\circ}$ C, per Fig. 1
2. Measured on 8.3 ms single half sine-wave or equivalent square wave,duty cycle=4 pulses per minute maximum.
3. V_F<3.5V for devices of V_{BR}<200V and V_F<5.0V for devices of V_{BR}>201V

RATING AND CHARACTERISTIC CURVES (TV30C5V0-G Thru. TV30C441-G)

Fig.1 Pulse Derating Curve

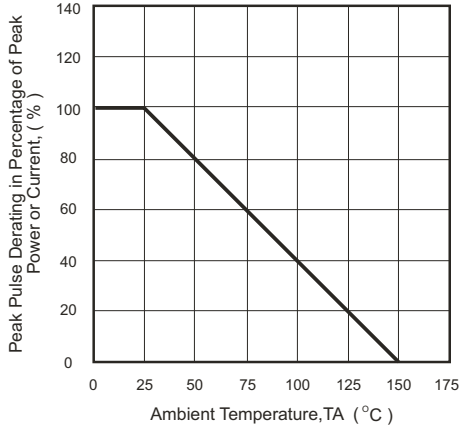


Fig.2 Max. Non-Repetitive Surge Current

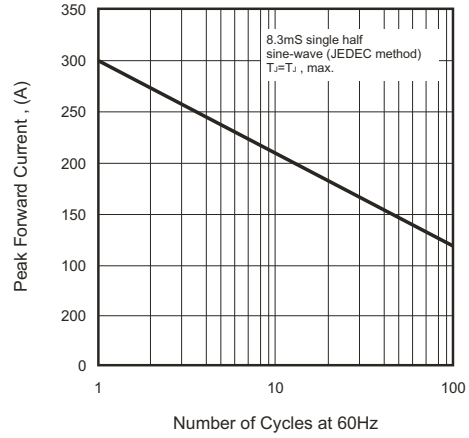


Fig.3 Steady State Power Derating Curve

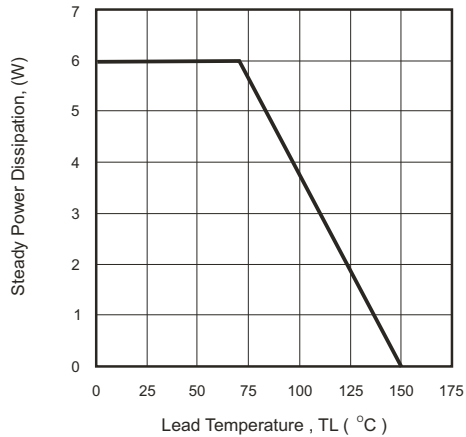


Fig.4 Peak Pulse Power Rating Curve

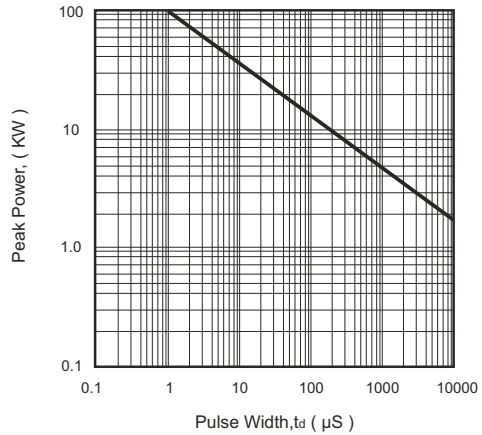


Fig.5 Pulse Waveform

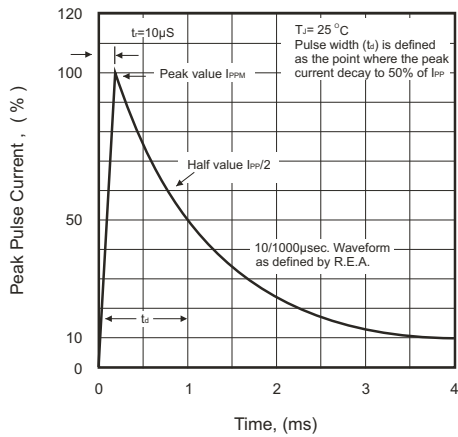
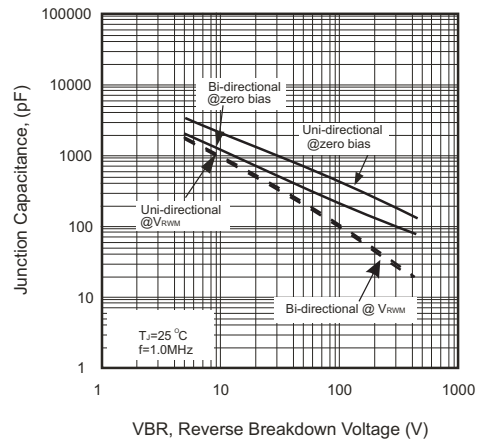


Fig.6 Typical Junction Capacitance



SMD Transient Voltage Suppressor



Electrical Characteristics (TV30C5V0-G Thru. TV30C441-G)

Part No	Absolute Maximum Rating (Ta= 25 °C)					Electrical Characteristic (Ta= 25				
	V _{RWM}	V _{BR} Min.	V _{BR} Max.	I _T	I _{FSM}	Max. V _C		I _R @V _{RWM}	Marking Code	
	(V)	(V)	(V)	(mA)	(A)@8.3mS	(V)	I _{PP} (A)	(uA)	Uni	Bi
TV30C5V0K(B)-G	5.0	6.40	7.30	10	300	9.6	312.50	1000	RDD	DDD
TV30C5V0J(B)-G	5.0	6.40	7.00	10	300	9.2	326.09	1000	RDE	DDE
TV30C6V0K(B)-G	6.0	6.67	8.15	10	300	11.4	263.16	1000	RDF	DDF
TV30C6V0J(B)-G	6.0	6.67	7.37	10	300	10.3	291.26	1000	RDG	DDG
TV30C6V5K(B)-G	6.5	7.22	8.82	10	300	12.3	243.90	500	RDH	DDH
TV30C6V5J(B)-G	6.5	7.22	7.98	10	300	11.2	267.86	500	RDK	DDK
TV30C7V0K(B)-G	7.0	7.78	9.51	10	300	13.3	225.56	200	RDL	DDL
TV30C7V0J(B)-G	7.0	7.78	8.60	10	300	12.0	250.00	200	PDM	DDM
TV30C7V5K(B)-G	7.5	8.33	10.20	1	300	14.3	209.79	100	PDN	DDN
TV30C7V5J(B)-G	7.5	8.33	9.21	1	300	12.9	232.56	100	PDP	DDP
TV30C8V0K(B)-G	8.0	8.89	10.90	1	300	15.0	200.00	50	PDQ	DDQ
TV30C8V0J(B)-G	8.0	8.89	9.83	1	300	13.6	220.59	50	PDR	DDR
TV30C8V5K(B)-G	8.5	9.44	11.50	1	300	15.9	188.68	25	PDS	DDS
TV30C8V5J(B)-G	8.5	9.44	10.40	1	300	14.4	208.33	25	PDT	DDT
TV30C9V0K(B)-G	9.0	10.00	12.20	1	300	16.9	177.51	10	PDU	DDU
TV30C9V0J(B)-G	9.0	10.00	11.10	1	300	15.4	194.81	10	PDV	DDV
TV30C100K(B)-G	10.0	11.10	13.60	1	300	18.8	159.57	5	PDW	DDW
TV30C100J(B)-G	10.0	11.10	12.30	1	300	17.0	176.47	5	PDX	DDX
TV30C110K(B)-G	11.0	12.20	14.90	1	300	20.1	149.25	5	PDY	DDY
TV30C110J(B)-G	11.0	12.20	13.50	1	300	18.2	164.84	5	PDZ	DDZ
TV30C120K(B)-G	12.0	13.30	16.30	1	300	22.0	136.36	5	PED	DED
TV30C120J(B)-G	12.0	13.30	14.70	1	300	19.9	150.75	5	PEE	DEE
TV30C130K(B)-G	13.0	14.40	17.60	1	300	23.8	126.05	5	PEF	DEF
TV30C130J(B)-G	13.0	14.40	15.90	1	300	21.5	139.53	5	PEG	DEG
TV30C140K(B)-G	14.0	15.60	19.10	1	300	25.8	116.28	5	PEH	DEH
TV30C140J(B)-G	14.0	15.60	17.20	1	300	23.2	129.31	5	PEK	DEK
TV30C150K(B)-G	15.0	16.70	20.40	1	300	26.9	111.52	5	PEL	DEL
TV30C150J(B)-G	15.0	16.70	18.50	1	300	24.4	122.95	5	PEM	DEM
TV30C160K(B)-G	16.0	17.80	21.80	1	300	28.8	104.17	5	PEN	DEN
TV30C160J(B)-G	16.0	17.80	19.70	1	300	26.0	115.38	5	PEP	DEP
TV30C170K(B)-G	17.0	18.90	23.10	1	300	30.5	98.36	5	PEQ	DEQ
TV30C170J(B)-G	17.0	18.90	20.90	1	300	27.6	108.70	5	PER	DER
TV30C180K(B)-G	18.0	20.00	24.40	1	300	32.2	93.17	5	PES	DES
TV30C180J(B)-G	18.0	20.00	22.10	1	300	29.2	102.74	5	PET	DET
TV30C190K(B)-G	19.0	21.13	25.76	1	300	34.0	88.21	5	PEA	DEA
TV30C190J(B)-G	19.0	21.10	23.30	1	300	30.8	97.47	5	PEB	DEB
TV30C200K(B)-G	20.0	21.13	27.10	1	300	35.8	83.80	5	PEU	DEU
TV30C200J(B)-G	20.0	21.10	24.50	1	300	32.4	92.59	5	PEV	DEV
TV30C220K(B)-G	22.0	24.40	29.80	1	300	39.4	76.14	5	PEW	DEW
TV30C220J(B)-G	22.0	24.40	26.90	1	300	35.5	84.51	5	PEX	DEX
TV30C240K(B)-G	24.0	26.70	32.60	1	300	43.0	69.77	5	PEY	DEY
TV30C240J(B)-G	24.0	26.70	29.50	1	300	38.9	77.12	5	PEZ	DEZ
TV30C260K(B)-G	26.0	28.90	35.30	1	300	46.6	64.38	5	PFD	DFD
TV30C260J(B)-G	26.0	28.90	31.90	1	300	42.1	71.26	5	PFE	DFE
TV30C280K(B)-G	28.0	31.10	38.00	1	300	50.0	60.00	5	PFF	DFF
TV30C280J(B)-G	28.0	31.10	34.40	1	300	45.4	66.08	5	PFG	DFG
TV30C300K(B)-G	30.0	33.30	40.70	1	300	53.5	56.07	5	PFH	DFH
TV30C300J(B)-G	30.0	33.30	36.80	1	300	48.4	61.98	5	PFK	DFK

REV:F

SMD Transient Voltage Suppressor



Electrical Characteristics (TV30C5V0-G Thru. TV30C441-G)

Part No	Absolute Maximum Rating (Ta= 25 °C)					Electrical Characteristic (Ta= 25 °C)				
	V _{RWM}	V _{BR} Min.	V _{BR} Max.	I _T	I _{FSM}	Max. V _C		I _R @V _{RWM}	Marking Code	
	(V)	(V)	(V)	(mA)	(A)@8.3mS	(V)	I _{PP} (A)	(uA)	Uni	Bi
TV30C330K(B)-G	33.0	36.70	44.90	1	300	59.0	50.85	5	PFL	DFL
TV30C330J(B)-G	33.0	36.70	40.60	1	300	53.3	56.29	5	PFM	DFM
TV30C360K(B)-G	36.0	40.00	48.90	1	300	64.3	46.66	5	PFN	DFN
TV30C360J(B)-G	36.0	40.00	44.20	1	300	58.1	51.64	5	PFP	DFP
TV30C400K(B)-G	40.0	44.40	54.30	1	300	71.4	42.02	5	PFQ	DFQ
TV30C400J(B)-G	40.0	44.40	49.10	1	300	64.5	46.51	5	PFR	DFR
TV30C430K(B)-G	43.0	47.80	58.40	1	300	76.7	39.11	5	PFS	DFS
TV30C430J(B)-G	43.0	47.80	52.80	1	300	69.4	43.23	5	PFT	DFT
TV30C450K(B)-G	45.0	50.00	61.10	1	300	80.3	37.36	5	PFU	DFU
TV30C450J(B)-G	45.0	50.00	55.30	1	300	72.7	41.27	5	PFV	DFV
TV30C480K(B)-G	48.0	53.30	65.10	1	300	85.5	35.09	5	PFW	DFW
TV30C480J(B)-G	48.0	53.30	58.90	1	300	77.4	38.76	5	PFX	DFX
TV30C510K(B)-G	51.0	56.70	69.30	1	300	91.1	32.93	5	PFY	DFY
TV30C510J(B)-G	51.0	56.70	62.70	1	300	82.4	36.41	5	PFZ	DFZ
TV30C540K(B)-G	54.0	60.00	73.30	1	300	96.3	31.15	5	RGD	DGD
TV30C540J(B)-G	54.0	60.00	66.30	1	300	87.1	34.44	5	RGE	DGE
TV30C580K(B)-G	58.0	64.40	78.70	1	300	103.0	29.13	5	RGF	DGF
TV30C580J(B)-G	58.0	64.40	71.20	1	300	93.6	32.05	5	PGG	DGG
TV30C600K(B)-G	60.0	66.70	81.50	1	300	107.0	28.04	5	RGH	DGH
TV30C600J(B)-G	60.0	66.70	73.70	1	300	96.8	30.99	5	PGK	DGK
TV30C640K(B)-G	64.0	71.10	86.90	1	300	114.0	26.32	5	PGL	DGL
TV30C640J(B)-G	64.0	71.10	78.60	1	300	103.0	29.13	5	PGM	DGM
TV30C700K(B)-G	70.0	77.80	95.10	1	300	125.0	24.00	5	PGN	DGN
TV30C700J(B)-G	70.0	77.80	86.00	1	300	113.0	26.55	5	PGP	DGP
TV30C750K(B)-G	75.0	83.30	102.00	1	300	134.0	22.39	5	PGQ	DGQ
TV30C750J(B)-G	75.0	83.30	92.10	1	300	121.0	24.79	5	PGR	DGR
TV30C780K(B)-G	78.0	86.70	106.00	1	300	139.0	21.58	5	PGS	DGS
TV30C780J(B)-G	78.0	86.70	95.80	1	300	126.0	23.81	5	PGT	DGT
TV30C800K(B)-G	80.0	88.96	108.80	1	300	143.2	20.95	5	PGA	DGA
TV30C800J(B)-G	80.0	88.80	97.60	1	300	129.6	23.15	5	PGB	DGB
TV30C850K(B)-G	85.0	94.40	115.00	1	300	151.0	19.87	5	PGU	DGU
TV30C850J(B)-G	85.0	94.40	104.00	1	300	137.0	21.90	5	PGV	DGV
TV30C900K(B)-G	90.0	100.00	122.00	1	300	160.0	18.75	5	PGW	DGW
TV30C900J(B)-G	90.0	100.00	111.00	1	300	146.0	20.55	5	PGX	DGX
TV30C101K(B)-G	100.0	111.00	136.00	1	300	179.0	16.76	5	PGY	DGY
TV30C101J(B)-G	100.0	111.00	123.00	1	300	162.0	18.52	5	PGZ	DGZ
TV30C111K(B)-G	110.0	122.00	149.00	1	300	196.0	15.31	5	PHD	DHD
TV30C111J(B)-G	110.0	122.00	135.00	1	300	177.0	16.95	5	PHE	DHE
TV30C121K(B)-G	120.0	133.00	163.00	1	300	214.0	14.02	5	PHF	DHF
TV30C121J(B)-G	120.0	133.00	147.00	1	300	193.0	15.54	5	PHG	DHG
TV30C131K(B)-G	130.0	144.00	176.00	1	300	231.0	12.99	5	PHH	DHH
TV30C131J(B)-G	130.0	144.00	159.00	1	300	209.0	14.35	5	PHK	DHK
TV30C141K(B)-G	140.0	155.68	190.40	1	300	250.6	11.97	5	PHA	DHA
TV30C141J(B)-G	140.0	155.00	171.00	1	300	226.8	13.23	5	PHB	DHB
TV30C151K(B)-G	150.0	167.00	204.00	1	300	268.0	11.19	5	PHL	DHL
TV30C151J(B)-G	150.0	167.00	185.00	1	300	243.0	12.35	5	PHM	DHM

REV:F

SMD Transient Voltage Suppressor



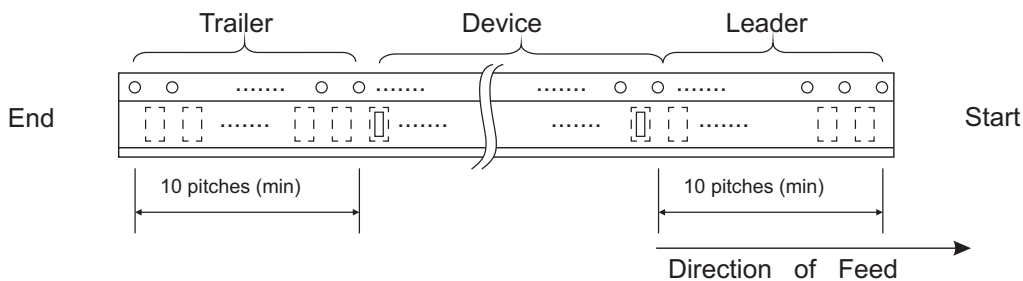
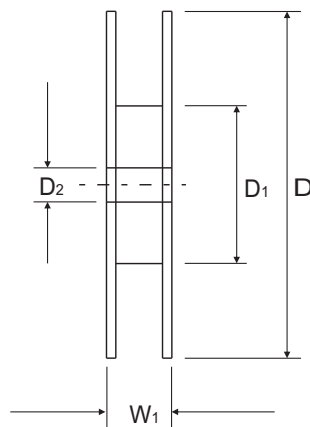
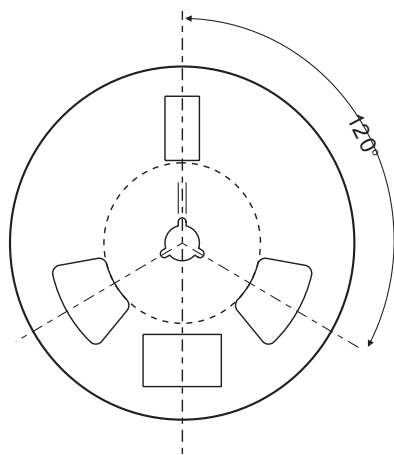
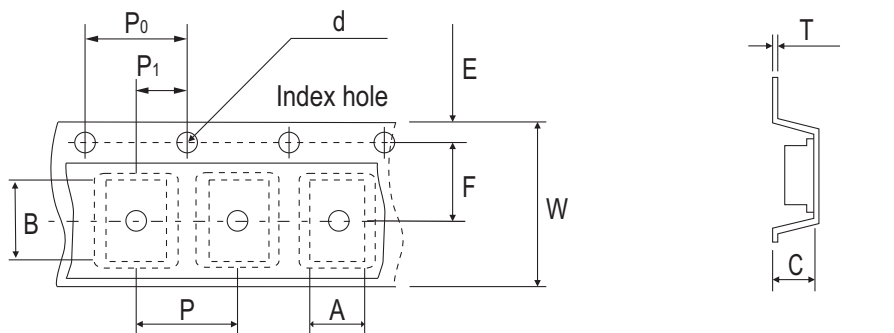
Electrical Characteristics (TV30C5V0-G Thru. TV30C441-G)

Part No.	Absolute Maximum Rating (T _A =25 °C)					Electrical Characteristic (T _A =25 °C)				
	V _{RWM}	V _{BR} Min.	V _{BR} Max.	I _T	I _{FSM}	Max V _C		I _R @V _{RWM}	Marking Code	
	(V)	(V)	(V)	(mA)	(A)@8.3mS	(V)	I _{PP} (A)	(uA)	Uni	Bi
TV30C161K(B)-G	160.0	178.00	218.00	1	300	287.0	10.45	5	PHN	DHN
TV30C161J(B)-G	160.0	178.00	197.00	1	300	259.0	11.58	5	PHP	DHP
TV30C171K(B)-G	170.0	189.00	231.0	1	300	304.0	9.87	5	PHQ	DHQ
TV30C171J(B)-G	170.0	189.00	209.0	1	300	275.0	10.91	5	PHR	DHR
TV30C181K(B)-G	180.0	200.16	244.80	1	300	322.2	9.31	5	PHS	DHS
TV30C181J(B)-G	180.0	200.00	220.00	1	300	291.6	10.29	5	PHT	DHT
TV30C191K(B)-G	190.0	211.28	258.40	1	300	340.1	8.82	5	PHU	DHU
TV30C191J(B)-G	190.0	211.00	232.00	1	300	307.8	9.75	5	PHV	DHV
TV30C201J(B)-G	200.0	224.00	247.00	1	300	324.0	9.26	5	PHW	DHW
TV30C221J(B)-G	220.0	246.00	272.00	1	300	356.0	8.43	5	PHX	DHX
TV30C251J(B)-G	250.0	279.00	309.00	1	300	405.0	7.41	5	PHZ	DHZ
TV30C301J(B)-G	300.0	335.00	371.00	1	300	486.0	6.17	5	PJE	DJE
TV30C351J(B)-G	350.0	391.00	432.00	1	300	567.0	5.29	5	PJG	DJG
TV30C401J(B)-G	400.0	447.00	494.00	1	300	648.0	4.63	5	PJK	DJK
TV30C441J(B)-G	440.0	492.00	543.00	1	300	713.0	4.21	5	PJM	DJM

Note:

- 1) Suffix K denotes 10% tolerance devices, suffix J denotes 5% tolerance devices.
- 2) Suffix B after part number to specify Bi-directional devices.
- 3) For Bi-Directional devices having V_R of 10 volts and under, the I_R limit is double.

Reel Taping Specification



DO-214AB (SMC)	SYMBOL	A	B	C	d	D	D1	D2
	(mm)	6.05 ± 0.10	8.31 ± 0.10	4.50 (max)	1.55 ± 0.10-0.0	330	50.0 MIN.	13.0 ± 0.20
	(inch)	0.256 ± 0.004	0.327 ± 0.004	0.177 (max)	0.061 ± 0.004	13.00	1.969 MIN.	0.512 ± 0.008

DO-214AB (SMC)	SYMBOL	E	F	P	P0	P1	W	W1
	(mm)	1.75 ± 0.10	7.50 ± 0.05	4.00 ± 0.10	4.00 ± 0.10	2.00 ± 1.00	16.0 ± 0.30	22.4 MAX.
	(inch)	0.069 ± 0.004	0.295 ± 0.002	0.157 ± 0.004	0.157 ± 0.004	0.079 ± 0.040	0.630 ± 0.012	0.882 MAX.