

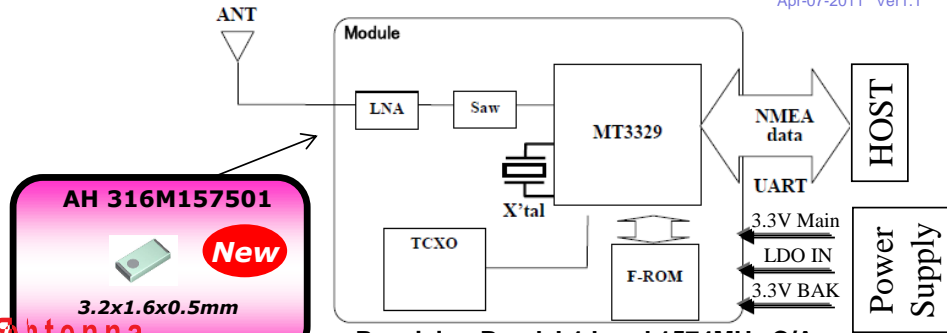
GPS: PCB MT3329 Module – NMEA Output w/TCXO, w/RTC

Wireless Modules

Features GYSFFMAXX

- ◆ GPS Performance : NMEA Output
- ◆ Re-acquisition Sensitivity : -161dBm
- ◆ Tracking Sensitivity : -164dBm
- ◆ TTFF (Time To First Fix) : 1Sec @-130dBm
- ◆ A-GPS support
- ◆ SBAS, Extended Ephemeris support (BEE,EPO)
- ◆ Interface : UART
- ◆ Built-in High accuracy TCXO :0.5 ppm (16.368MHz)
- ◆ Built-in Ultra Low Noise AMP :0.7dB Noise Figure
- ◆ Built-in RTC : 32.768kHz
- ◆ Small Outline: 10.8 x 10.0 x 2.0(Max) mm
- ◆ Package: Metal case package
- ◆ RoHS Conformity

Block Diagram



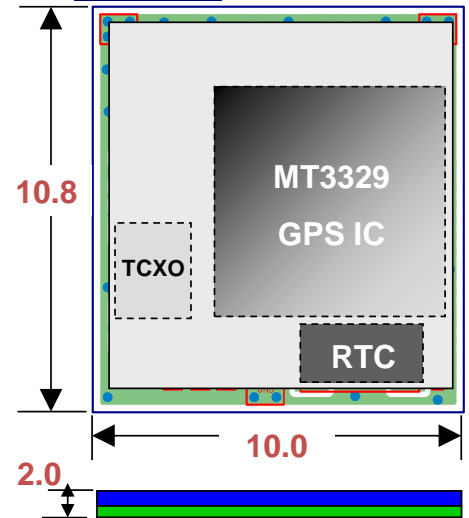
Receiving Band:L1 band 1574MHz C/A
 Low IF:4.092MHz
 OSC Freq:3142.656MHz

General Electrical Specification

No	Parameter	Symbol	Spec			Unit	Remark
			Min	Typ	Max		
1	Frequency	Fc		1575.42		MHz	C/A code
2	Intermediate frequency	IF		4.092		MHz	
3	Image Rejection Ratio	IRR		30		dB	
4	VCO Oscillation Frequency	Fosc		3142.656		MHz	
5	Noise Figure	NF		1.0	1.6	dB	
6	Sensitivity	Hs		-161	-157	dBm	Hot start sensitivity
		Ws		-147	-144		Warm start sensitivity
		Cs		-145	-142		Cold start sensitivity
		Ts		-164	-161		Tracking sensitivity
7	TTFF	Ht		1.2	2.0	sec	Hot start @-135dBm
		Wt		34	45		Warm start@-135dBm
		Ct		39	50		Cold start @-135dBm
							C/N=36dB Typ
8	Accuracy	Ha		2	10	m	Hot start @-135dBm
		Wa		2	10		Warm start@-135dBm
		Ca		2	10		Cold start @-135dBm

Outline

Unit: mm



TAIYO YUDEN

<http://www.t-yuden.com>

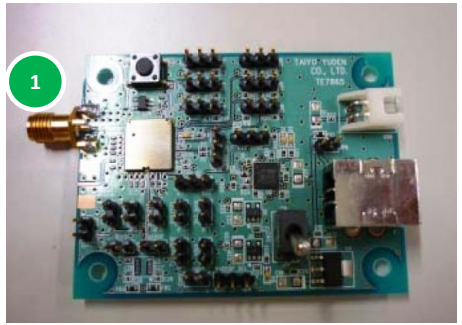
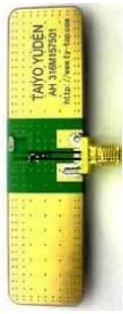
To Evaluate GPS Module GYSFFMAXX, You Will Need GKSFFMAXX

GKSFFMAXX is the evaluation kit for GPS Module GYSFFMAXX. This kit has everything you need to evaluate the performance of this module.

GKSFFMAXX Kit includes:

No.	Item	Description	Qty
1	GKSFFMAXX	Evaluation Board for GPS Module GYSFFMAXX with USB interface	1
2	AH316M157501-E	Evaluation Board for Chip Antenna	1
3	Standoff	Standoff	4
4	Nut	Nut	4
5	Connector	Male to Male Connector	1
6	Red & Blue Cable	Power Supply Cable	1
7	CD	Evaluation Software	1

2



1

3

4

5



6



7