



# Microprocessor Supervisory Circuits

## General Description

The MAX690A/MAX692A/MAX802L/MAX802M/MAX805L reduce the complexity and number of components required for power-supply monitoring and battery-control functions in microprocessor ( $\mu$ P) systems. They significantly improve system reliability and accuracy compared to separate ICs or discrete components.

These parts provide four functions:

- 1) A reset output during power-up, power-down, and brownout conditions.
- 2) Battery-backup switching for CMOS RAM, CMOS  $\mu$ P, or other low-power logic.
- 3) A reset pulse if the optional watchdog timer has not been toggled within 1.6sec.
- 4) A 1.25V threshold detector for power-fail warning or low-battery detection, or to monitor a power supply other than +5V.

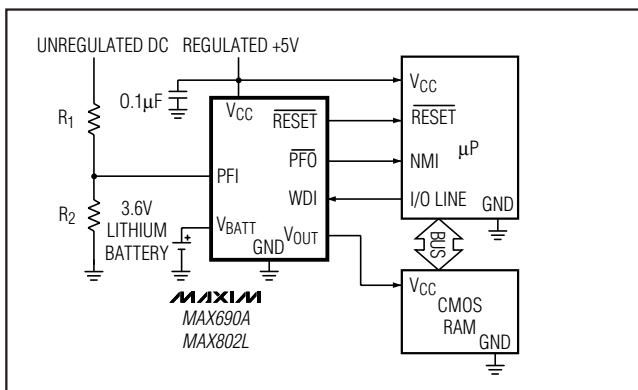
The parts differ in their reset-voltage threshold levels and reset outputs. The MAX690A/MAX802L/MAX805L generate a reset pulse when the supply voltage drops below 4.65V, and the MAX692A/MAX802M generate a reset below 4.40V. The MAX802L/MAX802M guarantee power-fail accuracies to  $\pm 2\%$ . The MAX805L is the same as the MAX690A except that RESET is provided instead of  $\overline{\text{RESET}}$ .

All parts are available in 8-pin DIP and SO packages. The MAX690A/MAX802L are pin compatible with the MAX690 and MAX694. The MAX692A/MAX802M are pin compatible with the MAX692.

## Applications

- Battery-Powered Computers and Controllers
- Intelligent Instruments
- Automotive Systems
- Critical  $\mu$ P Power Monitoring

## Typical Operating Circuit



## Features

- ◆ Precision Supply-Voltage Monitor:  
4.65V for MAX690A/MAX802L/MAX805L  
4.40V for MAX692A/MAX802M
- ◆ Reset Time Delay – 200ms
- ◆ Watchdog Timer – 1.6sec Timeout
- ◆ Battery-Backup Power Switching
- ◆ 200 $\mu$ A Quiescent Supply Current
- ◆ 50nA Quiescent Supply Current in Battery-Backup Mode
- ◆ Voltage Monitor for Power-Fail or Low-Battery Warning
- ◆ Power-Fail Accuracy Guaranteed to  $\pm 2\%$  (MAX802L/M)
- ◆ Guaranteed  $\overline{\text{RESET}}$  Assertion to  $V_{CC} = 1V$
- ◆ 8-Pin SO and DIP Packages

## Ordering Information

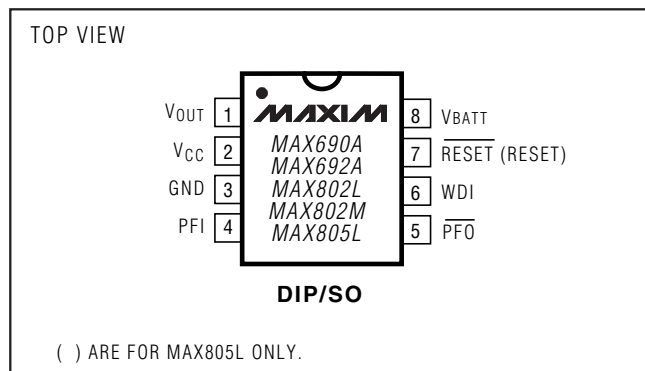
PART	TEMP. RANGE	PIN-PACKAGE
MAX690ACPA	0°C to +70°C	8 Plastic DIP
MAX690ACSA	0°C to +70°C	8 SO
MAX690AC/D	0°C to +70°C	Dice*
MAX690AEP A	-40°C to +85°C	8 Plastic DIP
MAX690AES A	-40°C to +85°C	8 SO
MAX690AMJA	-55°C to +125°C	8 CERDIP**

Ordering Information continued on last page.

\* Dice are specified at  $T_A = +25^\circ\text{C}$

\*\* Contact factory for availability and processing to MIL-STD-883. Devices in PDIP and SO packages are available in both leaded and lead-free packaging. Specify lead free by adding the + symbol at the end of the part number when ordering. Lead free not available for CERDIP package.

## Pin Configurations



For pricing, delivery, and ordering information, please contact Maxim/Dallas Direct! at 1-888-629-4642, or visit Maxim's website at [www.maxim-ic.com](http://www.maxim-ic.com).

MAX690A/MAX692A/MAX802L/MAX802M/MAX805L

# Microprocessor Supervisory Circuits

MAX690A/MAX692A/MAX802L/MAX805L

## ABSOLUTE MAXIMUM RATINGS

Terminal Voltage (with respect to GND)		Rate of Rise, $V_{CC}$ , $V_{BATT}$ ..... 100V/ $\mu$ s
$V_{CC}$ .....	-0.3V to 6.0V	Continuous Power Dissipation
$V_{BATT}$ .....	-0.3V to 6.0V	Plastic DIP (derate 9.09mW/ $^{\circ}$ C above +70 $^{\circ}$ C) .....
All Other Inputs (Note 1) .....	-0.3V to ( $V_{CC}$ + 0.3V)	SO (derate 5.88mW/ $^{\circ}$ C above +70 $^{\circ}$ C) .....
Input Current		CERDIP (derate 8.00mW/ $^{\circ}$ C above +70 $^{\circ}$ C) .....
$V_{CC}$ .....	200mA	Operating Temperature Ranges:
$V_{BATT}$ .....	50mA	MAX69_AC_, MAX80_C_ .....
GND .....	20mA	MAX69_AE_, MAX80_E_ .....
Output Current		MAX69_AMJA, MAX805LMJA .....
$V_{OUT}$ .....	Short-Circuit Protected for up to 10sec	Storage Temperature Range .....
All Other Outputs .....	20mA	Lead Temperature (soldering, 10sec) .....

**Note 1:** The input voltage limits on PFI and WDI may be exceeded if the current into these pins is limited to less than 10mA.

Stresses beyond those listed under "Absolute Maximum Ratings" may cause permanent damage to the device. These are stress ratings only, and functional operation of the device at these or any other conditions beyond those indicated in the operational sections of the specifications is not implied. Exposure to absolute maximum rating conditions for extended periods may affect device reliability.

## ELECTRICAL CHARACTERISTICS

( $V_{CC}$  = 4.75V to 5.5V for MAX690A/MAX802L/MAX805L,  $V_{CC}$  = 4.5V to 5.5V for MAX692A/MAX802M,  $V_{BATT}$  = 2.8V,  $T_A$  =  $T_{MIN}$  to  $T_{MAX}$ , unless otherwise noted.)

PARAMETER	SYMBOL	CONDITIONS	MIN	TYP	MAX	UNITS
Operating Voltage Range, $V_{CC}$ , $V_{BATT}$ (Note 2)		MAX69_AC, MAX802_C	1.0		5.5	V
		MAX805LC	1.1		5.5	
		MAX69_AE/M, MAX80_E	1.2		5.5	
Supply Current (Excluding $I_{OUT}$ )	$I_{SUPPLY}$	MAX69_AC, MAX802_C		200	350	$\mu$ A
		MAX69_AE/M, MAX802_E, MAX805LE/M		200	500	
$I_{SUPPLY}$ in Battery-Backup Mode (Excluding $I_{OUT}$ )		$V_{CC} = 0V$ , $V_{BATT} = 2.8V$	$T_A = +25^{\circ}C$	0.05	1.0	$\mu$ A
			$T_A = T_{MIN}$ to $T_{MAX}$		5.0	
$V_{BATT}$ Standby Current (Note 3)		$5.5V > V_{CC} >$ $V_{BATT} + 0.2V$	$T_A = +25^{\circ}C$	-0.1	0.02	$\mu$ A
			$T_A = T_{MIN}$ to $T_{MAX}$	-1.0	0.02	
$V_{OUT}$ Output		$I_{OUT} = 5mA$	$V_{CC} - 0.05$	$V_{CC} - 0.025$		V
		$I_{OUT} = 50mA$	$V_{CC} - 0.5$	$V_{CC} - 0.25$		
$V_{OUT}$ in Battery-Backup Mode		$I_{OUT} = 250\mu A$ , $V_{CC} < V_{BATT} - 0.2V$	$V_{BATT} - 0.1$	$V_{BATT} - 0.02$		V
Battery Switch Threshold, $V_{CC}$ to $V_{BATT}$		$V_{CC} < V_{RT}$	Power-up	20		mV
			Power-down	-20		
Battery Switchover Hysteresis			40			mV
Reset Threshold	$V_{RT}$	MAX690A, MAX802L, MAX805L	4.50	4.65	4.75	V
		MAX692A, MAX802M	4.25	4.40	4.50	
		MAX802L, $T_A = +25^{\circ}C$ , $V_{CC}$ falling	4.55		4.70	
		MAX802M, $T_A = +25^{\circ}C$ , $V_{CC}$ falling	4.30		4.45	
Reset Threshold Hysteresis			40			mV
Reset Pulse Width	$t_{RS}$		140	200	280	ms
$\overline{RESET}$ Output Voltage		$I_{SOURCE} = 800\mu A$ $I_{SINK} = 3.2mA$	$V_{CC} - 1.5$			V
			MAX69_AC, MAX802_C, $V_{CC} = 1.0V$ $I_{SINK} = 50\mu A$		0.4	
		MAX69_AE/M, MAX802_E, $V_{CC} = 1.2V$ , $I_{SINK} = 100\mu A$		0.3		
				0.3		

# Microprocessor Supervisory Circuits

## ELECTRICAL CHARACTERISTICS (continued)

( $V_{CC} = 4.75V$  to  $5.5V$  for MAX690A/MAX802L/MAX805L,  $V_{CC} = 4.5V$  to  $5.5V$  for MAX692A/MAX802M,  $V_{BATT} = 2.8V$ ,  $T_A = T_{MIN}$  to  $T_{MAX}$ , unless otherwise noted.)

PARAMETER	SYMBOL	CONDITIONS	MIN	TYP	MAX	UNITS
RESET Output Voltage		MAX805LC, $I_{SOURCE} = 4\mu A$ , $V_{CC} = 1.1V$	0.8			V
		MAX805LE/M, $I_{SOURCE} = 4\mu A$ , $V_{CC} = 1.2V$	0.9			
		MAX805L, $I_{SOURCE} = 800\mu A$	$V_{CC} - 1.5$			
		MAX805L, $I_{SINK} = 3.2mA$			0.4	
Watchdog Timeout	$t_{WD}$		1.00	1.60	2.25	sec
WDI Pulse Width	$t_{WP}$	$V_{IL} = 0.4V$ , $V_{IH} = (0.8)(V_{CC})$	50			ns
WDI Input Threshold (Note 4)		$V_{CC} = 5V$	Logic low		0.8	V
			Logic high	3.5		
WDI Input Current		WDI = $V_{CC}$		50	150	$\mu A$
		WDI = $0V$	-150	-50		
PFI Input Threshold		MAX69_A, MAX805L, $V_{CC} = 5V$	1.20	1.25	1.30	V
		MAX802_C/E, $V_{CC} = 5V$	1.225	1.250	1.275	
PFI Input Current			-25	0.01	25	nA
$\overline{PFO}$ Output Voltage		$I_{SOURCE} = 800\mu A$	$V_{CC} - 1.5$			V
		$I_{SINK} = 3.2mA$			0.4	

**Note 2:** Either  $V_{CC}$  or  $V_{BATT}$  can go to  $0V$ , if the other is greater than  $2.0V$ .

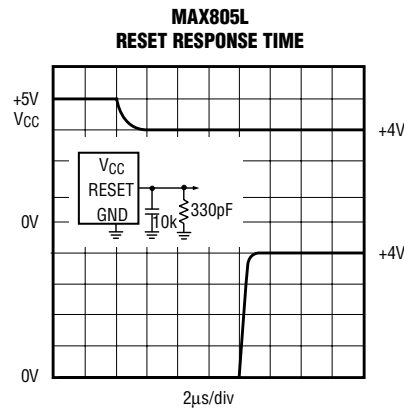
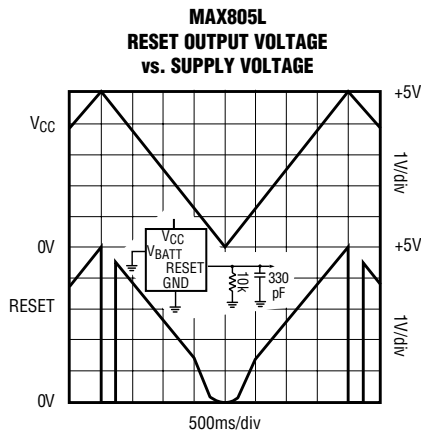
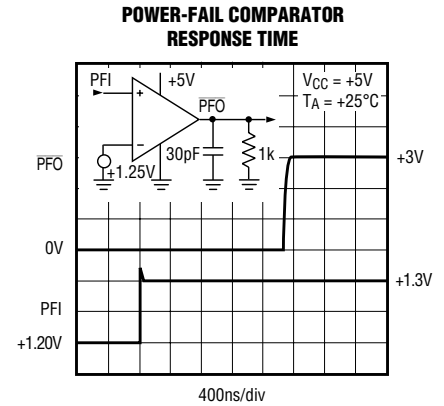
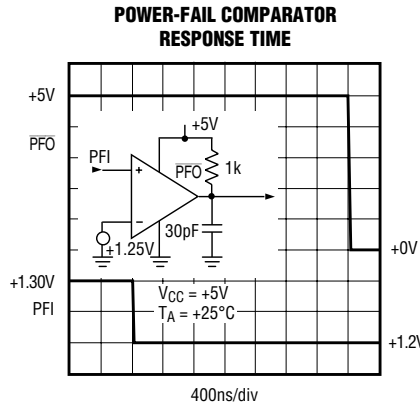
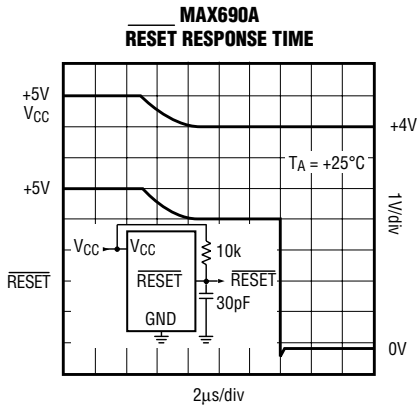
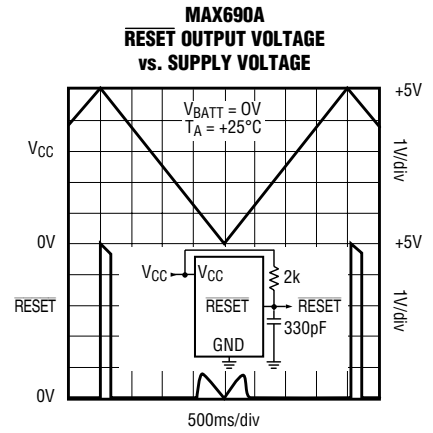
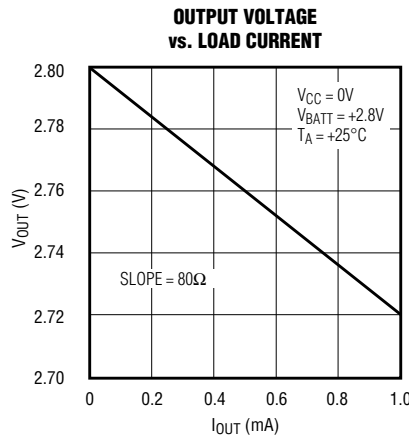
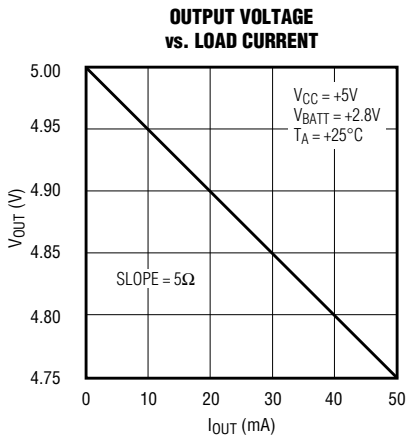
**Note 3:** "-" = battery-charging current, "+" = battery-discharging current.

**Note 4:** WDI is guaranteed to be in an intermediate, non-logic level state if WDI is floating and  $V_{CC}$  is in the operating voltage range. WDI is internally biased to 35% of  $V_{CC}$  with an input impedance of  $50k\Omega$ .

MAX690A/MAX692A/MAX802L/MAX802M/MAX805L

# Microprocessor Supervisory Circuits

## Typical Operating Characteristics



# Microprocessor Supervisory Circuits

## Pin Description

PIN		NAME	FUNCTION
MAX690A/MAX692A MAX802L/MAX802M	MAX805L		
1	1	$V_{OUT}$	Supply Output for CMOS RAM. When $V_{CC}$ is above the reset threshold, $V_{OUT}$ connects to $V_{CC}$ through a P-channel MOSFET switch. When $V_{CC}$ is below the reset threshold, the higher of $V_{CC}$ or $V_{BATT}$ will be connected to $V_{OUT}$ .
2	2	$V_{CC}$	+5V Supply Input
3	3	GND	Ground
4	4	PFI	Power-Fail Comparator Input. When PFI is less than 1.25V, $\overline{PFO}$ goes low. Connect PFI to GND or $V_{CC}$ when not used.
5	5	$\overline{PFO}$	Power-Fail Output. When PFI is less than 1.25V, $\overline{PFO}$ goes low; otherwise $\overline{PFO}$ stays high.
6	6	WDI	Watchdog Input. If WDI remains high or low for 1.6sec, the internal watchdog timer runs out and reset is triggered. If WDI is left floating or connected to a high-impedance three-state buffer, the watchdog feature is disabled. The internal watchdog timer clears whenever reset is asserted, WDI is three-stated, or WDI sees a rising or falling edge.
7		$\overline{RESET}$	Reset Output. Whenever $\overline{RESET}$ is triggered, it pulses low for 200ms. It stays low when $V_{CC}$ is below the reset threshold (4.65V in the MAX690A/MAX802L and 4.4V in the MAX692A/MAX802M) and remains low for 200ms after $V_{CC}$ rises above the reset threshold. A watchdog timeout also triggers $\overline{RESET}$ .
–	7	RESET	Active-High Reset Output is the inverse of $\overline{RESET}$ . When RESET is asserted, the RESET output voltage = $V_{CC}$ or $V_{BATT}$ , whichever is higher.
8	8	$V_{BATT}$	Backup-Battery Input. When $V_{CC}$ falls below the reset threshold, $V_{BATT}$ will be switched to $V_{OUT}$ if $V_{BATT}$ is 20mV greater than $V_{CC}$ . When $V_{CC}$ rises to 20mV above $V_{BATT}$ , $V_{OUT}$ will be reconnected to $V_{CC}$ . The 40mV hysteresis prevents repeated switching if $V_{CC}$ falls slowly.

MAX690A/MAX692A/MAX802L/MAX802M/MAX805L

# Microprocessor Supervisory Circuits

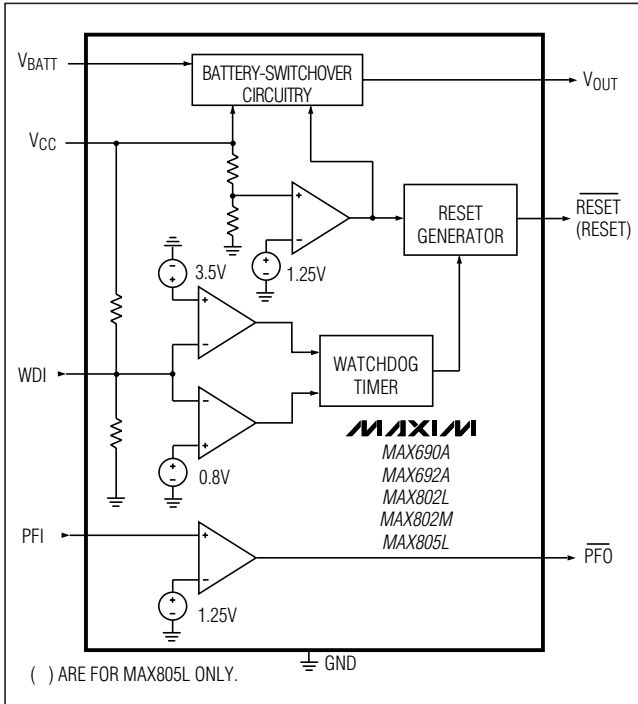


Figure 1. Block Diagram

## Detailed Description

### Reset Output

A microprocessor's ( $\mu P$ 's) reset input starts the  $\mu P$  in a known state. When the  $\mu P$  is in an unknown state, it should be held in reset. The MAX690A/MAX692A/MAX802L/MAX802M assert reset during power-up and prevent code execution errors during power-down or brownout conditions.

On power-up, once  $V_{CC}$  reaches 1V,  $\overline{RESET}$  is guaranteed to be a logic low. As  $V_{CC}$  rises,  $\overline{RESET}$  remains low. When  $V_{CC}$  exceeds the reset threshold, an internal timer keeps  $\overline{RESET}$  low for a time equal to the reset pulse width; after this interval,  $\overline{RESET}$  goes high (Figure 2). If a brownout condition occurs (if  $V_{CC}$  dips below the reset threshold),  $\overline{RESET}$  is triggered. Each time  $\overline{RESET}$  is triggered, it stays low for the reset pulse width interval. Any time  $V_{CC}$  goes below the reset threshold, the internal timer restarts the pulse. If a brownout condition interrupts a previously initiated reset pulse, the reset pulse continues for another 200ms. On power-down, once  $V_{CC}$  goes below the threshold,  $\overline{RESET}$  is guaranteed to be logic low until  $V_{CC}$  droops below 1V.

$\overline{RESET}$  is also triggered by a watchdog timeout. If a high or low is continuously applied to the WDI pin for 1.6sec,  $\overline{RESET}$  pulses low. As long as  $\overline{RESET}$  is assert-

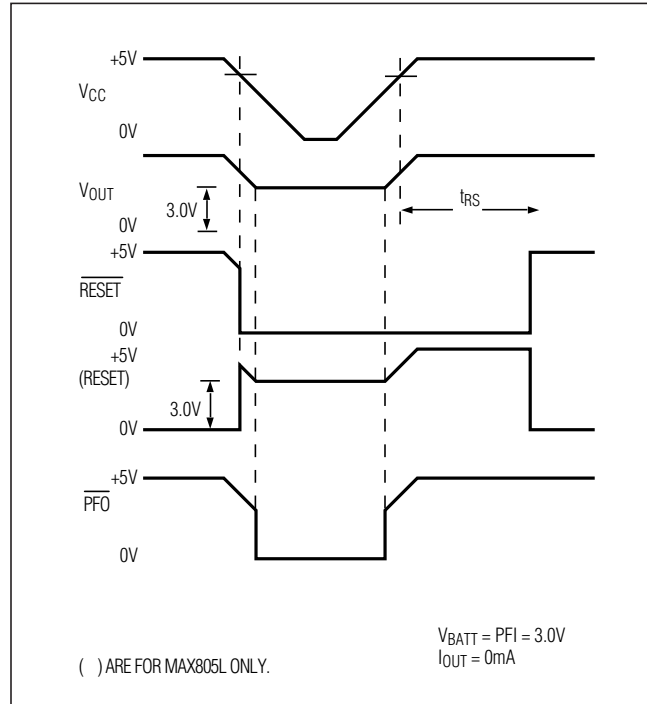


Figure 2. Timing Diagram

ed, the watchdog timer remains clear. When  $\overline{RESET}$  comes high, the watchdog resumes timing and must be serviced within 1.6sec. If WDI is tied high or low, a  $\overline{RESET}$  pulse is triggered every 1.8sec ( $t_{WD}$  plus  $t_{RS}$ ).

The MAX805L active-high  $RESET$  output is the inverse of the MAX690A/MAX692A/MAX802L/MAX802M  $\overline{RESET}$  output, and is guaranteed to be valid with  $V_{CC}$  down to 1.1V. Some  $\mu P$ s, such as Intel's 80C51, require an active-high reset pulse.

### Watchdog Input

The watchdog circuit monitors the  $\mu P$ 's activity. If the  $\mu P$  does not toggle the watchdog input (WDI) within 1.6sec, a reset pulse is triggered. The internal 1.6sec timer is cleared by either a reset pulse or by open circuiting the WDI input. As long as reset is asserted or the WDI input is open circuited, the timer remains cleared and does not count. As soon as reset is released or WDI is driven high or low, the timer starts counting. It can detect pulses as short as 50ns.

### Power-Fail Comparator

The PFI input is compared to an internal 1.25V reference. If PFI is less than 1.25V,  $\overline{PFO}$  goes low. The power-fail comparator is intended for use as an under-voltage detector to signal a failing power supply; it need not be dedicated to this function though, as it is

# Microprocessor Supervisory Circuits

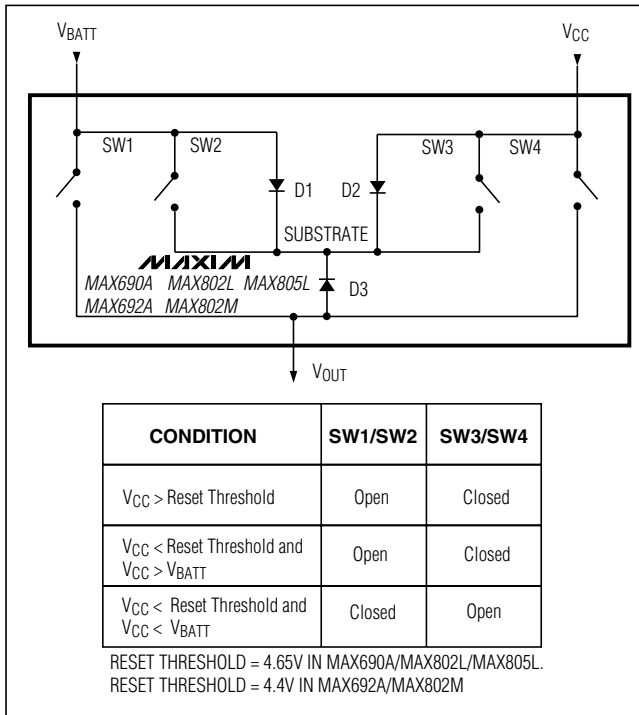


Figure 3. Backup-Battery Switchover Block Diagram

completely separate from the rest of the circuitry. The external voltage divider drives PFI to sense the unregulated DC input to the +5V regulator (see *Typical Operating Circuit*). The voltage-divider ratio can be chosen such that the voltage at PFI falls below 1.25V just before the +5V regulator drops out.  $\overline{\text{PFO}}$  then triggers an interrupt which signals the  $\mu\text{P}$  to prepare for power-down.

To conserve backup-battery power, the power-fail detector comparator is turned off and  $\overline{\text{PFO}}$  is forced low when  $V_{BATT}$  connects to  $V_{OUT}$ .

## Backup-Battery Switchover

In the event of a brownout or power failure, it may be necessary to preserve the contents of RAM. With a backup battery installed at  $V_{BATT}$ , the devices automatically switch RAM to backup power when  $V_{CC}$  fails.

As long as  $V_{CC}$  exceeds the reset threshold,  $V_{OUT}$  connects to  $V_{CC}$  through a  $5\Omega$  PMOS power switch. Once  $V_{CC}$  falls below the reset threshold,  $V_{CC}$  or  $V_{BATT}$  (whichever is higher) switches to  $V_{OUT}$ . Unlike the MAX690/MAX692, the MAX690A/MAX692A/MAX802L/MAX802M/MAX805L don't always connect  $V_{BATT}$  to  $V_{OUT}$  when  $V_{BATT}$  is greater than  $V_{CC}$ .  $V_{BATT}$  connects to  $V_{OUT}$  (through an  $80\Omega$  switch) only when  $V_{CC}$  is below the reset threshold **and**  $V_{BATT}$  is greater than  $V_{CC}$ .

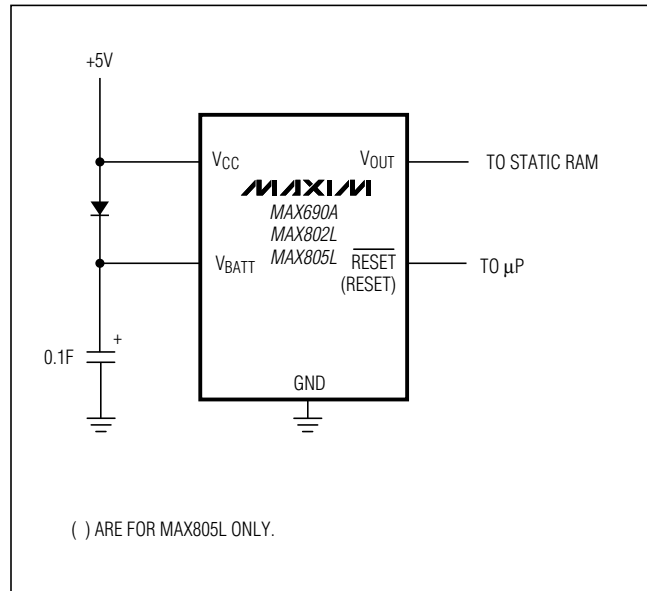


Figure 4. Using a SuperCap as a Backup Power Source with a MAX690A/MAX802L/MAX805L and a +5V  $\pm 5\%$  Supply

When  $V_{CC}$  exceeds the reset threshold, it is connected to the MAX690A/MAX692A/MAX802L/MAX802M/MAX805L substrate, regardless of the voltage applied to  $V_{BATT}$  (Figure 3). During this time, the diode (D1) between  $V_{BATT}$  and the substrate will conduct current from  $V_{BATT}$  to  $V_{CC}$  if  $V_{BATT}$  is 0.6V or greater than  $V_{CC}$ .

Table 1. Input and Output Status in Battery-Backup Mode

SIGNAL	STATUS
$V_{CC}$	Disconnected from $V_{OUT}$
$V_{OUT}$	Connected to $V_{BATT}$ through an internal $80\Omega$ PMOS switch
$V_{BATT}$	Connected to $V_{OUT}$ . Current drawn from the battery is less than $1\mu\text{A}$ , as long as $V_{CC} < V_{BATT} - 1\text{V}$ .
PFI	Power-fail comparator is disabled.
$\overline{\text{PFO}}$	Logic low
$\overline{\text{RESET}}$	Logic low
RESET	Logic high (MAX805L only)
WDI	Watchdog timer is disabled

# Microprocessor Supervisory Circuits

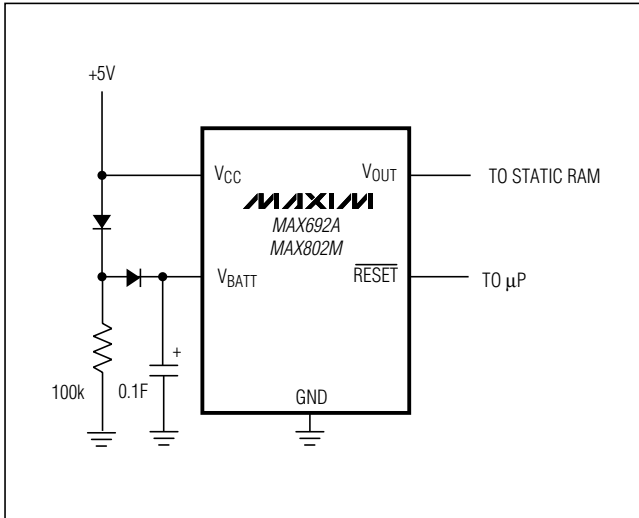


Figure 5. Using a SuperCap™ as a Backup Power Source with the MAX692A/MAX802M and a +5V ±10% Supply

When  $V_{BATT}$  connects to  $V_{OUT}$ , backup mode is activated and the internal circuitry is powered from the battery (Table 1). When  $V_{CC}$  is just below  $V_{BATT}$ , the current drawn from  $V_{BATT}$  is typically 30μA. When  $V_{CC}$  drops to more than 1V below  $V_{BATT}$ , the internal switchover comparator shuts off and the supply current falls to less than 1μA.

## Applications Information

### Using a SuperCap™ as a Backup Power Source

SuperCaps are capacitors with extremely high capacitance values, on the order of 0.1F. Figure 4 shows a SuperCap used as a backup power source. Do not allow the SuperCap's voltage to exceed the maximum reset threshold by more than 0.6V. In Figure 4's circuit, the SuperCap rapidly charges to within a diode drop of  $V_{CC}$ . However, after a long time, the diode leakage current will pull the SuperCap voltage up to  $V_{CC}$ . When using a SuperCap with the MAX690A/MAX802L/MAX805L,  $V_{CC}$  may not exceed  $4.75V + 0.6V = 5.35V$ .

Use the SuperCap circuit of Figure 5 with a MAX692A or MAX802M and a ±10% supply. This circuit ensures that the SuperCap only charges to  $V_{CC} - 0.5V$ . At the maximum  $V_{CC}$  of 5.5V, the SuperCap charges up to 5.0V, only 0.5V above the maximum reset threshold—well within the requisite 0.6V.

™SuperCap is a trademark of Baknor Industries.

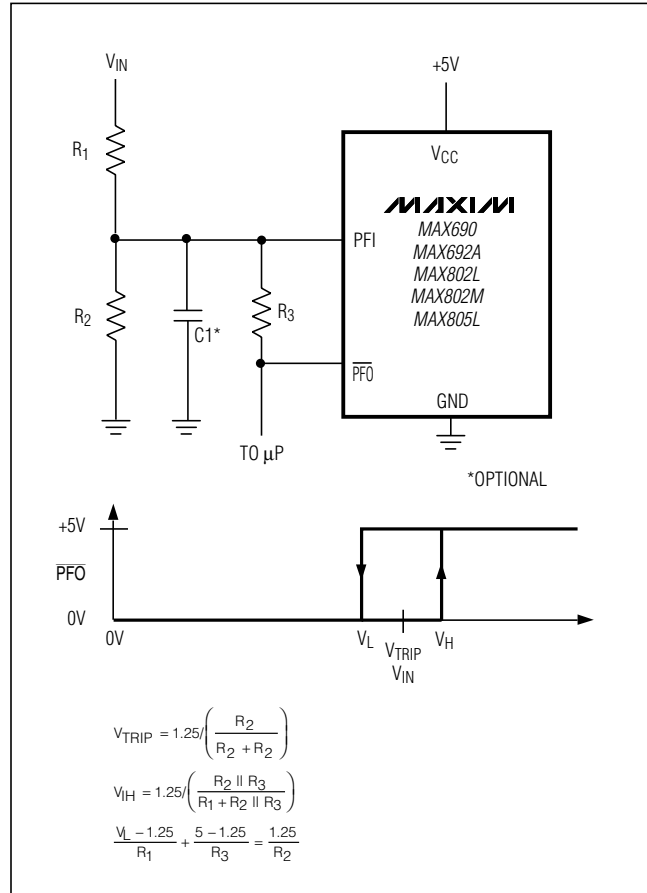


Figure 6. Adding Hysteresis to the Power-Fail Comparator

### Allowable Backup Power-Source Batteries

Lithium batteries work very well as backup batteries due to very low self-discharge rates and high energy density. Single lithium batteries with open-circuit voltages of 3.0V to 3.6V are ideal. Any battery with an open-circuit voltage less than the minimum reset threshold plus 0.3V can be connected directly to the  $V_{BATT}$  input of the MAX690A/MAX692A/MAX802L/MAX802M/MAX805L with

Table 2. Allowable Backup-Battery Voltages

(see Using a SuperCap as a Backup Power Source section for use with a SuperCap)

PART NO.	MAXIMUM BACKUP-BATTERY VOLTAGE (V)
MAX690A/ MAX802L/MAX805L	4.80
MAX692A/ MAX802M	4.55



# Microprocessor Supervisory Circuits

no additional circuitry (see the *Typical Operating Circuit*). However, batteries with open-circuit voltages that are greater **cannot** be used for backup, as current is sourced into the substrate through the diode (D1 in Figure 3) when  $V_{CC}$  is close to the reset threshold.

## Operation

### Without a Backup Power Source

If a backup power source is not used, ground  $V_{BATT}$  and connect  $V_{OUT}$  to  $V_{CC}$ . Since there is no need to switch over to any backup power source,  $V_{OUT}$  does not need to be switched. A direct connection to  $V_{CC}$  eliminates any voltage drops across the switch which may push  $V_{OUT}$  below  $V_{CC}$ .

### Replacing the Backup Battery

The backup battery can be removed while  $V_{CC}$  remains valid, without danger of triggering RESET/RESET. As long as  $V_{CC}$  stays above the reset threshold, battery-backup mode cannot be entered. In other switchover ICs where battery-backup mode is entered whenever  $V_{BATT}$  gets close to  $V_{CC}$ , an unconnected  $V_{BATT}$  pin

accumulates leakage charge and triggers RESET/RESET in error.

## Adding Hysteresis to the Power-Fail Comparator

Hysteresis adds a noise margin to the power-fail comparator and prevents repeated triggering of PFO when  $V_{IN}$  is close to its trip point. Figure 6 shows how to add hysteresis to the power-fail comparator. Select the ratio of  $R_1$  and  $R_2$  such that PFI sees 1.25V when  $V_{IN}$  falls to its trip point ( $V_{TRIP}$ ).  $R_3$  adds the hysteresis. It will typically be an order of magnitude greater than  $R_1$  or  $R_2$  (about 10 times either  $R_1$  or  $R_2$ ). The current through  $R_1$  and  $R_2$  should be at least  $1\mu A$  to ensure that the 25nA (max) PFI input current does not shift the trip point.  $R_3$  should be larger than  $10k\Omega$  so it does not load down the  $\overline{PFO}$  pin. Capacitor C1 adds additional noise rejection.

## Monitoring a Negative Voltage

The power-fail comparator can be used to monitor a negative supply rail using the circuit of Figure 7. When the negative rail is good (a negative voltage of large magnitude),  $\overline{PFO}$  is low. When the negative rail is degraded (a negative voltage of lesser magnitude),  $\overline{PFO}$  goes high. This circuit's accuracy is affected by the PFI threshold tolerance, the  $V_{CC}$  line, and the resistors.

## Interfacing to $\mu P$ s with Bidirectional Reset Pins

$\mu P$ s with bidirectional reset pins, such as the Motorola 68HC11 series, can contend with the MAX690A/MAX692A/MAX802L/MAX802M RESET output. If, for example, the RESET output is driven high and the  $\mu P$  wants to pull it low, indeterminate logic levels may result. To correct this, connect a  $4.7k\Omega$  resistor between the RESET output and the  $\mu P$  reset I/O, as in Figure 8. Buffer the RESET output to other system components

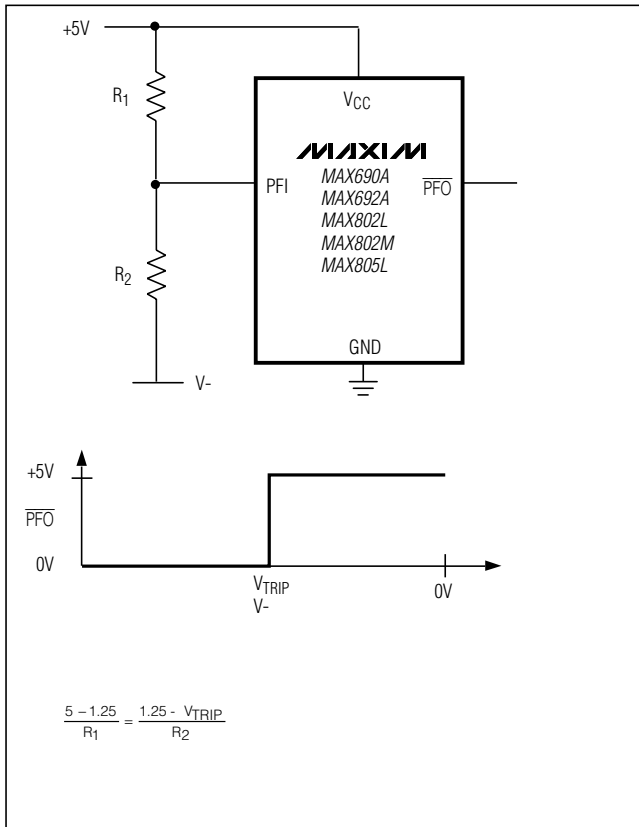


Figure 7. Monitoring a Negative Voltage

# Microprocessor Supervisory Circuits

MAX690A/MAX692A/MAX802L/MAX802M/MAX805L

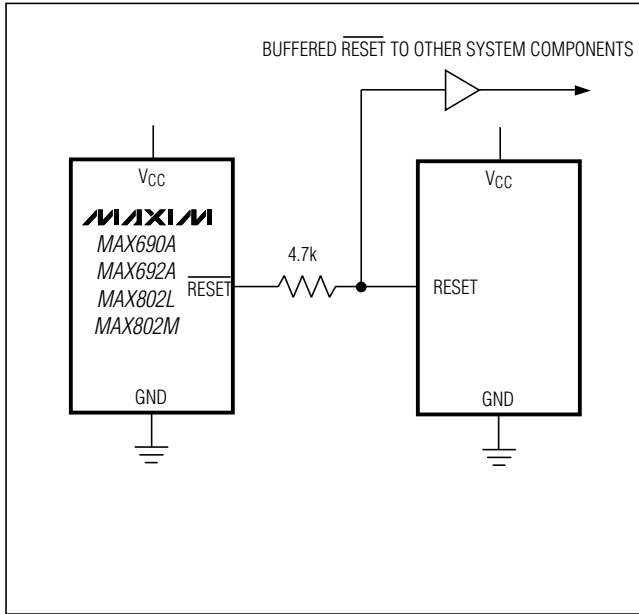


Figure 8. Interfacing to  $\mu$ Ps with Bidirectional Reset I/O

# Microprocessor Supervisory Circuits

## $\mu$ P Supervisory Circuits

Part Number	Nominal Reset Threshold (V)	Minimum Reset Pulse Width (ms)	Nominal Watchdog Timeout Period (sec)	Backup-Battery Switch	CE - Write Protect	Power-Fail Comparator	Manual-Reset Input	Watch-dog Output	Low-Line Output	Active-High Reset	Battery-On Output
MAX690A/692A	4.65/4.40	140	1.6	✓		✓					
MAX691A/693A	4.65/4.40	140/adj.	1.6/adj.	✓	✓/10ns	✓		✓	✓	✓	✓
MAX696	Adj.	35/adj.	1.6/adj.	✓		✓		✓	✓	✓	✓
MAX697	Adj.	35/adj.	1.6/adj.		✓	✓		✓	✓	✓	
MAX700	4.65/adj.	200	-				✓			✓	
MAX703/704	4.65/4.40	140	-	✓		✓	✓				
MAX705/706	4.65/4.40	140	1.6			✓	✓	✓			
MAX706P	2.63	140	1.6			✓	✓	✓		✓	
MAX706R/S/T	2.63/2.93/ 3.08	140	1.6			✓	✓	✓			
MAX707/708	4.65/4.40	140	-			✓	✓			✓	
MAX708R/S/T	2.63/2.93/ 3.08	140	-			✓	✓			✓	
MAX709L/M/ R/S/T	4.65/4.40/ 2.63/2.93/3.08	140	-								
MAX791	4.65	140	1	✓	✓/10ns	✓	✓	✓	✓	✓	✓
MAX792L/M/ R/S/T	4.65/4.40/ 2.63/2.93/3.08	140	1		✓/10ns	✓	✓	✓	✓	✓	
MAX800L/M	4.60/4.40	140	1.6/adj.	✓	✓/10ns	✓/±2%		✓	✓	✓	✓
MAX802L/M	4.60/4.40	140	1.6	✓		✓/±2%					
MAX805L	4.65	140	1.6	✓		✓				✓	
MAX813L	4.65	140	1.6			✓	✓	✓		✓	
MAX820L/M/ R/S/T	4.65/4.40/ 2.63/2.93/3.08	140	1		✓/10ns	✓/±2%	✓	✓	✓	✓	
MAX1232	4.37/4.62	250	0.15/0.60/1.2				✓			✓	
MAX1259	-	-	-	✓		✓					

MAX690A/MAX692A/MAX693A/MAX696/MAX697/MAX700/MAX703/MAX704/MAX705/MAX706/MAX706P/MAX706R/S/T/MAX707/MAX708/MAX708R/S/T/MAX709L/M/MAX709R/S/T/MAX791/MAX792L/M/MAX792R/S/T/MAX800L/M/MAX802L/M/MAX805L/MAX813L/MAX820L/M/MAX820R/S/T/MAX1232/MAX1259

# Microprocessor Supervisory Circuits

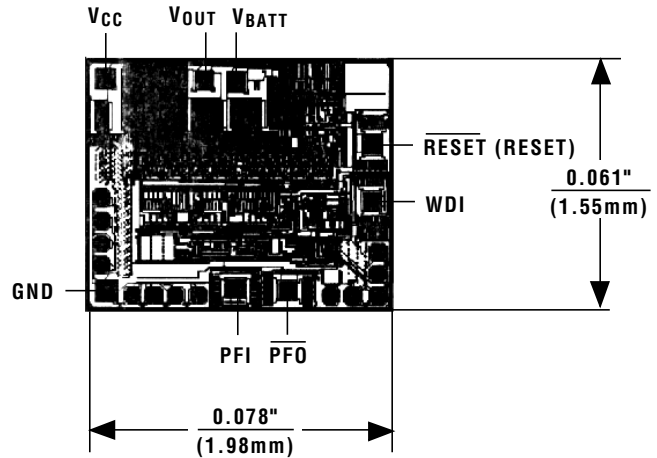
## Ordering Information (continued)

PART	TEMP. RANGE	PIN-PACKAGE
<b>MAX692ACPA</b>	0°C to +70°C	8 Plastic DIP
MAX692ACSA	0°C to +70°C	8 SO
MAX692AC/D	0°C to +70°C	Dice*
MAX692AEPA	-40°C to +85°C	8 Plastic DIP
MAX692AESA	-40°C to +85°C	8 SO
MAX692AMJA	-55°C to +125°C	8 CERDIP**
<b>MAX802LCPA</b>	0°C to +70°C	8 Plastic DIP
MAX802LCSA	0°C to +70°C	8 SO
MAX802LEPA	-40°C to +85°C	8 Plastic DIP
MAX802LESA	-40°C to +85°C	8 SO
<b>MAX802MCPA</b>	0°C to +70°C	8 Plastic DIP
MAX802MCSA	0°C to +70°C	8 SO
MAX802MEPA	-40°C to +85°C	8 Plastic DIP
MAX802MESA	-40°C to +85°C	8 SO
<b>MAX805LCPA</b>	0°C to +70°C	8 Plastic DIP
MAX805LCSA	0°C to +70°C	8 SO
MAX805LC/D	0°C to +70°C	Dice*
MAX805LEPA	-40°C to +85°C	8 Plastic DIP
MAX805LESA	-40°C to +85°C	8 SO
MAX805LMJA	-55°C to +125°C	8 CERDIP**

\* Dice are specified at  $T_A = +25^\circ\text{C}$ .

\*\* Contact factory for availability and processing to MIL-STD-883. Devices in PDIP and SO packages are available in both leaded and lead-free packaging. Specify lead free by adding the + symbol at the end of the part number when ordering. Lead free not available for CERDIP package.

## Chip Topography



( ) ARE FOR MAX805L ONLY.  
TRANSISTOR COUNT: 573;  
SUBSTRATE MUST BE LEFT UNCONNECTED.

Maxim cannot assume responsibility for use of any circuitry other than circuitry entirely embodied in a Maxim product. No circuit patent licenses are implied. Maxim reserves the right to change the circuitry and specifications without notice at any time.

12 **Maxim Integrated Products, 120 San Gabriel Drive, Sunnyvale, CA 94086 (408) 737-7600**

© 2005 Maxim Integrated Products

Printed USA

**MAXIM** is a registered trademark of Maxim Integrated Products, Inc.