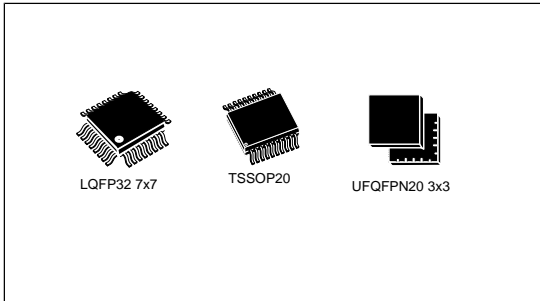




# STM8S003K3 STM8S003F3

Value line, 16 MHz STM8S 8-bit MCU, 8 Kbytes Flash, 128 bytes data EEPROM, 10-bit ADC, 3 timers, UART, SPI, I<sup>2</sup>C



## Features

### Core

- 16 MHz advanced STM8 core with Harvard architecture and 3-stage pipeline
- Extended instruction set

### Memories

- Program memory: 8 Kbytes Flash; data retention 20 years at 55 °C after 100 cycles
- RAM: 1 Kbytes
- Data memory: 128 bytes of true data EEPROM; endurance up to 100 000 write/erase cycles

### Clock, reset and supply management

- 2.95 to 5.5 V operating voltage
- Flexible clock control, 4 master clock sources:
  - Low power crystal resonator oscillator
  - External clock input
  - Internal, user-trimmable 16 MHz RC
  - Internal low power 128 kHz RC
- Clock security system with clock monitor
- Power management:
  - Low power modes (wait, active-halt, halt)
  - Switch-off peripheral clocks individually
- Permanently active, low consumption power-on and power-down reset

### Interrupt management

- Nested interrupt controller with 32 interrupts
- Up to 27 external interrupts on 6 vectors

### Timers

- Advanced control timer: 16-bit, 4 CAPCOM channels, 3 complementary outputs, dead-time insertion and flexible synchronization
- 16-bit general purpose timer, with 3 CAPCOM channels (IC, OC or PWM)
- 8-bit basic timer with 8-bit prescaler
- Auto wake-up timer
- Window watchdog and independent watchdog timers

### Communications interfaces

- UART with clock output for synchronous operation, Smartcard, IrDA, LIN master mode
- SPI interface up to 8 Mbit/s
- I<sup>2</sup>C interface up to 400 Kbit/s

### Analog to digital converter (ADC)

- 10-bit,  $\pm 1$  LSB ADC with up to 5 multiplexed channels, scan mode and analog watchdog

### I/Os

- Up to 28 I/Os on a 32-pin package including 21 high sink outputs
- Highly robust I/O design, immune against current injection

### Development support

- Embedded single wire interface module (SWIM) for fast on-chip programming and non intrusive debugging

# Contents

|   |           |
|---|-----------|
| <b>1 Introduction</b> .....   | <b>7</b>  |
| <b>2 Description</b> .....  | <b>8</b>  |
| <b>3 Block diagram</b> .....  | <b>9</b>  |
| <b>4 Product overview</b> .....                                     | <b>10</b> |
| 4.1 Central processing unit STM8 .....                              | 10        |
| 4.2 Single wire interface module (SWIM) and debug module (DM) ..... | 10        |
| 4.3 Interrupt controller .....                                      | 11        |
| 4.4 Flash program memory and data EEPROM .....                      | 11        |
| 4.5 Clock controller .....  | 12        |
| 4.6 Power management .....  | 13        |
| 4.7 Watchdog timers .....   | 13        |
| 4.8 Auto wakeup counter .....                                       | 14        |
| 4.9 Beeper .....  | 14        |
| 4.10 TIM1 - 16-bit advanced control timer .....                     | 14        |
| 4.11 TIM2 - 16-bit general purpose timer .....                      | 15        |
| 4.12 TIM4 - 8-bit basic timer .....                                 | 15        |
| 4.13 Analog-to-digital converter (ADC1) .....                       | 15        |
| 4.14 Communication interfaces .....                                 | 16        |
| 4.14.1 UART1 .....  | 16        |
| 4.14.2 SPI .....  | 17        |
| 4.14.3 I <sup>2</sup> C .....                                       | 17        |
| <b>5 Pinout and pin description</b> .....                           | <b>18</b> |
| 5.1 STM8S003K3 LQFP32 pinout and pin description .....              | 18        |
| 5.2 STM8S003F3 TSSOP20/UFQFPN20 pinout and pin description .....    | 21        |
| 5.2.1 STM8S003F3 TSSOP20 pinout and pin description .....           | 21        |
| 5.2.2 STM8S003F3 UFQFPN20 pinout .....                              | 22        |
| 5.2.3 STM8S003F3 TSSOP20/UFQFPN20 pin description .....             | 22        |
| 5.3 Alternate function remapping .....                              | 24        |
| <b>6 Memory and register map</b> .....                              | <b>25</b> |
| 6.1 Memory map .....  | 25        |
| 6.2 Register map .....  | 26        |
| 6.2.1 I/O port hardware register map .....                          | 26        |
| 6.2.2 General hardware register map .....                           | 27        |
| 6.2.3 CPU/SWIM/debug module/interrupt controller registers .....    | 36        |
| <b>7 Interrupt vector mapping</b> .....                             | <b>39</b> |
| <b>8 Option bytes</b> .....   | <b>41</b> |
| 8.1 Alternate function remapping bits .....                         | 43        |

|   |           |
|---|-----------|
| <b>9 Electrical characteristics</b>                     | <b>46</b> |
| 9.1 Parameter conditions                                | 46        |
| 9.1.1 Minimum and maximum values                        | 46        |
| 9.1.2 Typical values                                    | 46        |
| 9.1.3 Typical curves                                    | 46        |
| 9.1.4 Loading capacitor                                 | 46        |
| 9.1.5 Pin input voltage                                 | 46        |
| 9.2 Absolute maximum ratings                            | 47        |
| 9.3 Operating conditions                                | 49        |
| 9.3.1 VCAP external capacitor                           | 50        |
| 9.3.2 Supply current characteristics                    | 51        |
| 9.3.3 External clock sources and timing characteristics | 60        |
| 9.3.4 Internal clock sources and timing characteristics | 62        |
| 9.3.5 Memory characteristics                            | 64        |
| 9.3.6 I/O port pin characteristics                      | 66        |
| 9.3.7 Reset pin characteristics                         | 74        |
| 9.3.8 SPI serial peripheral interface                   | 77        |
| 9.3.9 I <sup>2</sup> C interface characteristics        | 80        |
| 9.3.10 10-bit ADC characteristics                       | 81        |
| 9.3.11 EMC characteristics                              | 85        |
| <b>10 Package information</b>                           | <b>89</b> |
| 10.1 32-pin LQFP package mechanical data                | 89        |
| 10.2 20-pin TSSOP package mechanical data               | 90        |
| 10.3 20-lead UFQFPN package mechanical data             | 92        |
| <b>11 Thermal characteristics</b>                       | <b>94</b> |
| 11.1 Reference document                                 | 94        |
| 11.2 Selecting the product temperature range            | 94        |
| <b>12 Ordering information</b>                          | <b>96</b> |
| <b>13 STM8 development tools</b>                        | <b>97</b> |
| 13.1 Emulation and in-circuit debugging tools           | 97        |
| 13.2 Software tools                                     | 97        |
| 13.2.1 STM8 toolset                                     | 98        |
| 13.2.2 C and assembly toolchains                        | 98        |
| 13.3 Programming tools                                  | 98        |
| <b>14 Revision history</b>                              | <b>99</b> |

# List of tables

|   |    |
|---|----|
| Table 1. STM8S003xx value line features .....   | 8  |
| Table 2. Peripheral clock gating bit assignments in CLK_PCKENR1/2 registers .....                     | 13 |
| Table 3. TIM timer features .....   | 15 |
| Table 4. Legend/abbreviations for pinout tables .....   | 18 |
| Table 5. LQFP32 pin description .....   | 19 |
| Table 6. STM8S003F3 pin description .....   | 22 |
| Table 7. I/O port hardware register map .....   | 26 |
| Table 8. General hardware register map .....  | 27 |
| Table 9. CPU/SWIM/debug module/interrupt controller registers .....                                   | 36 |
| Table 10. Interrupt mapping .....   | 39 |
| Table 11. Option bytes .....  | 99 |
| Table 12. Option byte description .....   | 41 |
| Table 13. STM8S003K3 alternate function remapping bits for 32-pin devices .....                       | 43 |
| Table 14. STM8S003F3 alternate function remapping bits for 20-pin devices .....                       | 44 |
| Table 15. Voltage characteristics .....   | 47 |
| Table 16. Current characteristics .....   | 47 |
| Table 17. Thermal characteristics .....   | 48 |
| Table 18. General operating conditions .....  | 49 |
| Table 19. Operating conditions at power-up/power-down .....   | 50 |
| Table 20. Total current consumption with code execution in run mode at $V_{DD} = 5\text{ V}$ .....    | 51 |
| Table 21. Total current consumption with code execution in run mode at $V_{DD} = 3.3\text{ V}$ .....  | 52 |
| Table 22. Total current consumption in wait mode at $V_{DD} = 5\text{ V}$ .....                       | 53 |
| Table 23. Total current consumption in wait mode at $V_{DD} = 3.3\text{ V}$ .....                     | 53 |
| Table 24. Total current consumption in active halt mode at $V_{DD} = 5\text{ V}$ .....                | 54 |
| Table 25. Total current consumption in active halt mode at $V_{DD} = 3.3\text{ V}$ .....              | 54 |
| Table 26. Total current consumption in halt mode at $V_{DD} = 5\text{ V}$ .....                       | 55 |
| Table 27. Total current consumption in halt mode at $V_{DD} = 3.3\text{ V}$ .....                     | 55 |
| Table 28. Wakeup times .....  | 56 |
| Table 29. Total current consumption and timing in forced reset state .....                            | 57 |
| Table 30. Peripheral current consumption .....  | 57 |
| Table 31. HSE user external clock characteristics .....   | 60 |
| Table 32. HSE oscillator characteristics .....  | 61 |
| Table 33. HSI oscillator characteristics .....  | 62 |
| Table 34. LSI oscillator characteristics .....  | 64 |
| Table 35. RAM and hardware registers .....  | 64 |
| Table 36. Flash program memory and data EEPROM .....  | 65 |
| Table 37. I/O static characteristics .....  | 66 |
| Table 38. Output driving current (standard ports) .....   | 68 |
| Table 39. Output driving current (true open drain ports) .....  | 68 |
| Table 40. Output driving current (high sink ports) .....  | 69 |
| Table 41. NRST pin characteristics .....  | 74 |
| Table 42. SPI characteristics .....   | 78 |
| Table 43. I <sup>2</sup> C characteristics .....  | 80 |
| Table 44. ADC characteristics .....   | 82 |
| Table 45. ADC accuracy with $R_{AIN} < 10\text{ k}\Omega$ , $V_{DD} = 5\text{ V}$ .....               | 82 |
| Table 46. ADC accuracy with $R_{AIN} < 10\text{ k}\Omega$ , $R_{AIN}$ , $V_{DD} = 3.3\text{ V}$ ..... | 83 |
| Table 47. EMS data .....  | 86 |

---

|   |    |
|---|----|
| Table 48. EMI data .....  | 86 |
| Table 49. ESD absolute maximum ratings .....  | 87 |
| Table 50. Electrical sensitivities .....  | 88 |
| Table 51. 32-pin low profile quad flat package mechanical data .....                          | 89 |
| Table 52. 20-pin, 4.40 mm body, 0.65 mm pitch mechanical data .....                           | 91 |
| Table 53. 20-lead ultra thin fine pitch quad flat no-lead package (3x3) mechanical data ..... | 92 |
| Table 54. Thermal characteristics .....   | 94 |
| Table 55. Document revision history .....   | 99 |

# List of figures

|   |    |
|---|----|
| Figure 1. Block diagram .....   | 9  |
| Figure 2. Flash memory organization .....   | 12 |
| Figure 3. STM8S003K3 LQFP32 pinout .....  | 18 |
| Figure 4. STM8S003F3 TSSOP20 pinout .....   | 21 |
| Figure 5. STM8S003F3 UFQFPN20-pin pinout .....  | 22 |
| Figure 6. Memory map .....  | 25 |
| Figure 7. Pin loading conditions .....  | 46 |
| Figure 8. Pin input voltage .....   | 47 |
| Figure 9. $f_{CPU_{max}}$ versus $V_{DD}$ .....   | 50 |
| Figure 10. External capacitor $C_{EXT}$ .....   | 50 |
| Figure 11. Typ $I_{DD(RUN)}$ vs. $V_{DD}$ HSE user external clock, $f_{CPU} = 16$ MHz ..... | 58 |
| Figure 12. Typ $I_{DD(RUN)}$ vs. $f_{CPU}$ HSE user external clock, $V_{DD} = 5$ V .....    | 58 |
| Figure 13. Typ $I_{DD(RUN)}$ vs. $V_{DD}$ HSI RC osc, $f_{CPU} = 16$ MHz .....              | 59 |
| Figure 14. Typ $I_{DD(WFI)}$ vs. $V_{DD}$ HSE user external clock, $f_{CPU} = 16$ MHz ..... | 59 |
| Figure 15. Typ $I_{DD(WFI)}$ vs. $f_{CPU}$ HSE user external clock, $V_{DD} = 5$ V .....    | 60 |
| Figure 16. Typ $I_{DD(WFI)}$ vs. $V_{DD}$ HSI RC osc, $f_{CPU} = 16$ MHz .....              | 60 |
| Figure 17. HSE external clock source .....  | 61 |
| Figure 18. HSE oscillator circuit diagram .....   | 62 |
| Figure 19. Typical HSI frequency variation vs $V_{DD}$ @ 4 temperatures .....               | 63 |
| Figure 20. Typical LSI frequency variation vs $V_{DD}$ @ 4 temperatures .....               | 64 |
| Figure 21. Typical $V_{IL}$ and $V_{IH}$ vs $V_{DD}$ @ 4 temperatures .....                 | 67 |
| Figure 22. Typical pull-up resistance vs $V_{DD}$ @ 4 temperatures .....                    | 67 |
| Figure 23. Typical pull-up current vs $V_{DD}$ @ 4 temperatures .....                       | 68 |
| Figure 24. Typ. $V_{OL}$ @ $V_{DD} = 5$ V (standard ports) .....                            | 70 |
| Figure 25. Typ. $V_{OL}$ @ $V_{DD} = 3.3$ V (standard ports) .....                          | 70 |
| Figure 26. Typ. $V_{OL}$ @ $V_{DD} = 5$ V (true open drain ports) .....                     | 71 |
| Figure 27. Typ. $V_{OL}$ @ $V_{DD} = 3.3$ V (true open drain ports) .....                   | 71 |
| Figure 28. Typ. $V_{OL}$ @ $V_{DD} = 5$ V (high sink ports) .....                           | 72 |
| Figure 29. Typ. $V_{OL}$ @ $V_{DD} = 3.3$ V (high sink ports) .....                         | 72 |
| Figure 30. Typ. $V_{DD} - V_{OH}$ @ $V_{DD} = 5$ V (standard ports) .....                   | 73 |
| Figure 31. Typ. $V_{DD} - V_{OH}$ @ $V_{DD} = 3.3$ V (standard ports) .....                 | 73 |
| Figure 32. Typ. $V_{DD} - V_{OH}$ @ $V_{DD} = 5$ V (high sink ports) .....                  | 74 |
| Figure 33. Typ. $V_{DD} - V_{OH}$ @ $V_{DD} = 3.3$ V (high sink ports) .....                | 74 |
| Figure 34. Typical NRST $V_{IL}$ and $V_{IH}$ vs $V_{DD}$ @ 4 temperatures .....            | 76 |
| Figure 35. Typical NRST pull-up resistance vs $V_{DD}$ @ 4 temperatures .....               | 76 |
| Figure 36. Typical NRST pull-up current vs $V_{DD}$ @ 4 temperatures .....                  | 77 |
| Figure 37. Recommended reset pin protection .....   | 77 |
| Figure 38. SPI timing diagram - slave mode and CPHA = 0 .....                               | 79 |
| Figure 39. SPI timing diagram - slave mode and CPHA = 1 .....                               | 79 |
| Figure 40. SPI timing diagram - master mode <sup>(1)</sup> .....                            | 80 |
| Figure 41. Typical application with I <sup>2</sup> C bus and timing diagram .....           | 84 |
| Figure 42. ADC accuracy characteristics .....   | 84 |
| Figure 43. Typical application with ADC .....   | 85 |
| Figure 44. 32-pin low profile quad flat package (7 x 7) .....                               | 89 |
| Figure 45. 20-pin, 4.40 mm body, 0.65 mm pitch .....  | 90 |
| Figure 46. 20-lead ultra thin fine pitch quad flat no-lead package outline (3x3) .....      | 92 |
| Figure 47. STM8S003x value line ordering information scheme .....                           | 96 |

# 1 Introduction

This datasheet contains the description of the device features, pinout, electrical characteristics, mechanical data and ordering information.

- For complete information on the STM8S microcontroller memory, registers and peripherals, please refer to the STM8S microcontroller family reference manual (RM0016).
- For information on programming, erasing and protection of the internal Flash memory please refer to the STM8S Flash programming manual (PM0051).
- For information on the debug and SWIM (single wire interface module) refer to the STM8 SWIM communication protocol and debug module user manual (UM0470).
- For information on the STM8 core, please refer to the STM8 CPU programming manual (PM0044).

## 2 Description

The STM8S003x value line 8-bit microcontrollers feature 8 Kbytes Flash program memory, plus integrated true data EEPROM. The STM8S microcontroller family reference manual (RM0016) refers to devices in this family as low-density. They provide the following benefits: performance, robustness, and reduced system cost.

Device performance and robustness are ensured by integrated true data EEPROM supporting up to 100000 write/erase cycles, advanced core and peripherals made in a state-of-the art technology, a 16 MHz clock frequency, robust I/Os, independent watchdogs with separate clock source, and a clock security system.

The system cost is reduced thanks to high system integration level with internal clock oscillators, watchdog and brown-out reset.

Full documentation is offered as well as a wide choice of development tools.

**Table 1: STM8S003xx value line features**

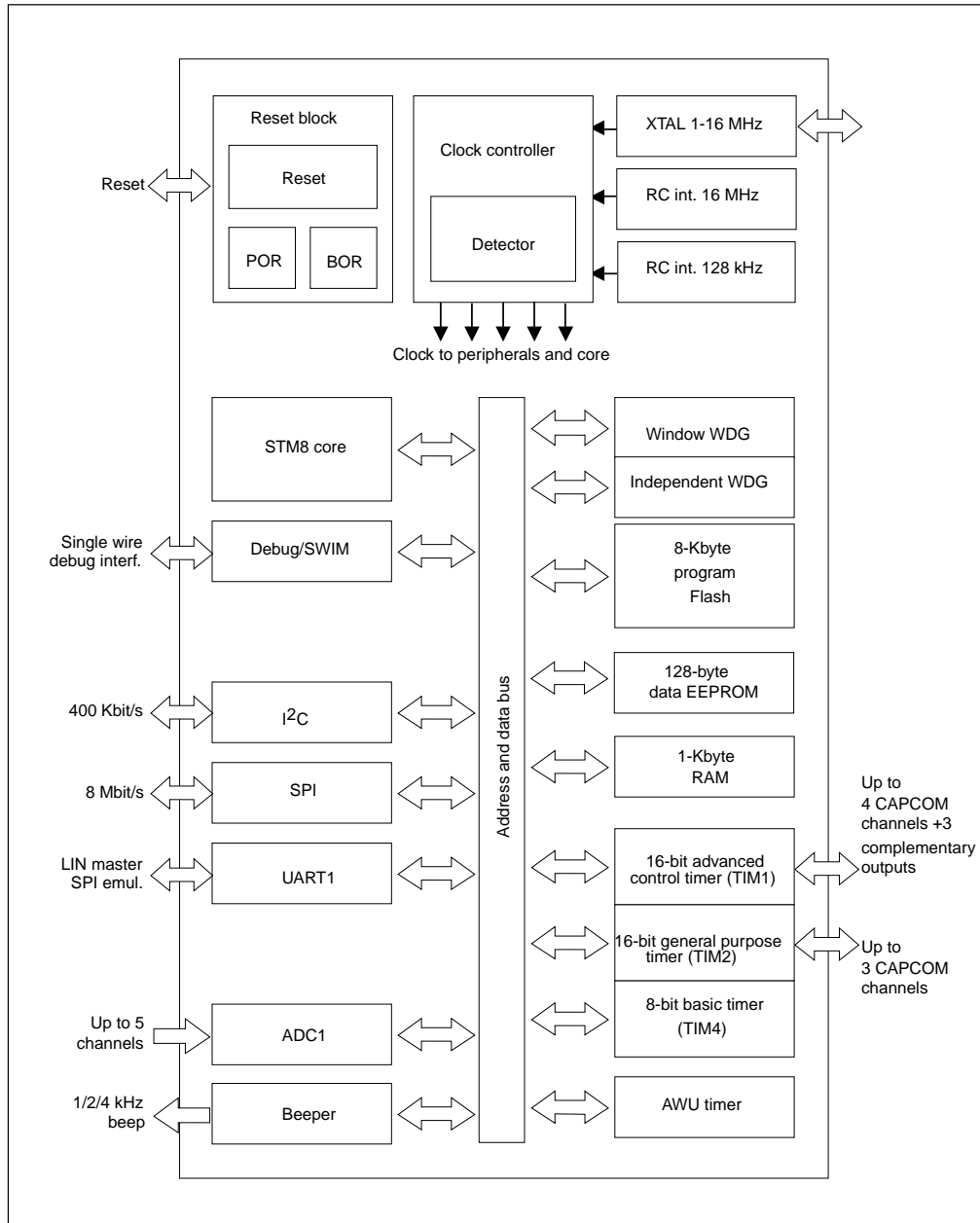
| Device                                   | STM8S003K3  | STM8S003F3         |
|--|---|--------------------|
| Pin count                                | 32  | 20                 |
| Maximum number of GPIOs (I/Os)           | 28  | 16                 |
| Ext. interrupt pins                      | 27  | 16                 |
| Timer CAPCOM channels                    | 7   | 7                  |
| Timer complementary outputs              | 3   | 2                  |
| A/D converter channels                   | 4   | 5                  |
| High sink I/Os                           | 21  | 12                 |
| Low density Flash program memory (bytes) | 8K  | 8K                 |
| RAM (bytes)                              | 1K  | 1K                 |
| True data EEPROM (bytes)                 | 128 <sup>(1)</sup>  | 128 <sup>(1)</sup> |
| Peripheral set                           | Multipurpose timer (TIM1), SPI, I <sup>2</sup> C, UART window WDG, independent WDG, ADC, PWM timer (TIM2), 8-bit timer (TIM4) |                    |

<sup>(1)</sup> Without read-while-write capability.



### 3 Block diagram

Figure 1: Block diagram



## 4 Product overview

The following section intends to give an overview of the basic features of the device functional modules and peripherals.

For more detailed information please refer to the corresponding family reference manual (RM0016).

### 4.1 Central processing unit STM8

The 8-bit STM8 core is designed for code efficiency and performance.

It contains 6 internal registers which are directly addressable in each execution context, 20 addressing modes including indexed indirect and relative addressing and 80 instructions.

#### Architecture and registers

- Harvard architecture
- 3-stage pipeline
- 32-bit wide program memory bus - single cycle fetching for most instructions
- X and Y 16-bit index registers - enabling indexed addressing modes with or without offset and read-modify-write type data manipulations
- 8-bit accumulator
- 24-bit program counter - 16-Mbyte linear memory space
- 16-bit stack pointer - access to a 64 K-level stack
- 8-bit condition code register - 7 condition flags for the result of the last instruction

#### Addressing

- 20 addressing modes
- Indexed indirect addressing mode for look-up tables located anywhere in the address space
- Stack pointer relative addressing mode for local variables and parameter passing

#### Instruction set

- 80 instructions with 2-byte average instruction size
- Standard data movement and logic/arithmetic functions
- 8-bit by 8-bit multiplication
- 16-bit by 8-bit and 16-bit by 16-bit division
- Bit manipulation
- Data transfer between stack and accumulator (push/pop) with direct stack access
- Data transfer using the X and Y registers or direct memory-to-memory transfers

### 4.2 Single wire interface module (SWIM) and debug module (DM)

The single wire interface module and debug module permits non-intrusive, real-time in-circuit debugging and fast memory programming.

## SWIM

Single wire interface module for direct access to the debug module and memory programming. The interface can be activated in all device operation modes. The maximum data transmission speed is 145 bytes/ms.

### Debug module

The non-intrusive debugging module features a performance close to a full-featured emulator. Beside memory and peripherals, also CPU operation can be monitored in real-time by means of shadow registers.

- R/W to RAM and peripheral registers in real-time
- R/W access to all resources by stalling the CPU
- Breakpoints on all program-memory instructions (software breakpoints)
- Two advanced breakpoints, 23 predefined configurations

## 4.3 Interrupt controller

- Nested interrupts with three software priority levels
- 32 interrupt vectors with hardware priority
- Up to 27 external interrupts on 6 vectors including TLI
- Trap and reset interrupts

## 4.4 Flash program memory and data EEPROM

- 8 Kbytes of Flash program single voltage Flash memory
- 128 bytes of true data EEPROM
- User option byte area

### Write protection (WP)

Write protection of Flash program memory and data EEPROM is provided to avoid unintentional overwriting of memory that could result from a user software malfunction.

There are two levels of write protection. The first level is known as MASS (memory access security system). MASS is always enabled and protects the main Flash program memory, the data EEPROM, and the option bytes.

To perform in-application programming (IAP), this write protection can be removed by writing a MASS key sequence in a control register. This allows the application to modify the content of the main program memory and data EEPROM, or to reprogram the device option bytes.

A second level of write protection, can be enabled to further protect a specific area of memory known as UBC (user boot code). Refer to the figure below.

The size of the UBC is programmable through the UBC option byte, in increments of 1 page (64-byte block) by programming the UBC option byte in ICP mode.

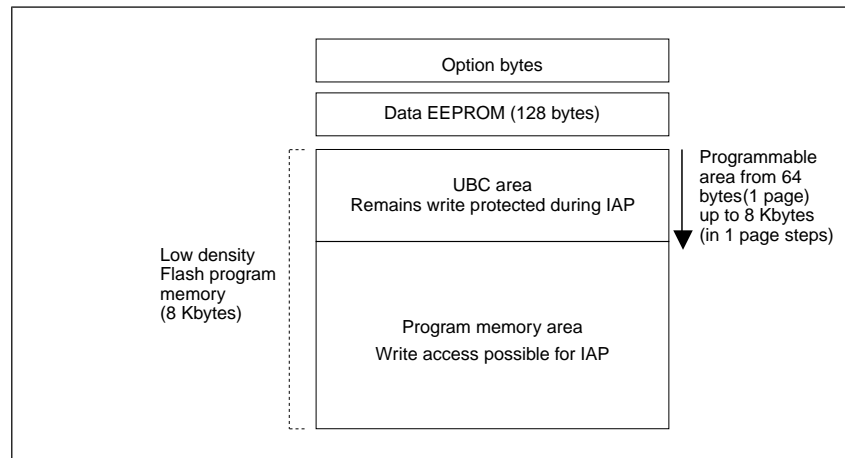
This divides the program memory into two areas:

- Main program memory: 8 Kbytes minus UBC
- User-specific boot code (UBC): Configurable up to 8 Kbytes

The UBC area remains write-protected during in-application programming. This means that the MASS keys do not unlock the UBC area. It protects the memory used to store the boot

program, specific code libraries, reset and interrupt vectors, the reset routine and usually the IAP and communication routines.

**Figure 2: Flash memory organization**



### Read-out protection (ROP)

The read-out protection blocks reading and writing from/to the Flash program memory and the data EEPROM in ICP mode (and debug mode). Once the read-out protection is activated, any attempt to toggle its status triggers a global erase of the program memory. Even if no protection can be considered as totally unbreakable, the feature provides a very high level of protection for a general purpose microcontroller.

## 4.5 Clock controller

The clock controller distributes the system clock ( $f_{\text{MASTER}}$ ) coming from different oscillators to the core and the peripherals. It also manages clock gating for low power modes and ensures clock robustness.

### Features

- **Clock prescaler:** To get the best compromise between speed and current consumption the clock frequency to the CPU and peripherals can be adjusted by a programmable prescaler.
- **Safe clock switching:** Clock sources can be changed safely on the fly in run mode through a configuration register. The clock signal is not switched until the new clock source is ready. The design guarantees glitch-free switching.
- **Clock management:** To reduce power consumption, the clock controller can stop the clock to the core, individual peripherals or memory.
- **Master clock sources:** Four different clock sources can be used to drive the master clock:
  - 1-16 MHz high-speed external crystal (HSE)
  - Up to 16 MHz high-speed user-external clock (HSE user-ext)
  - 16 MHz high-speed internal RC oscillator (HSI)
  - 128 kHz low-speed internal RC (LSI)

- **Startup clock:** After reset, the microcontroller restarts by default with an internal 2 MHz clock (HSI/8). The prescaler ratio and clock source can be changed by the application program as soon as the code execution starts.
- **Clock security system (CSS):** This feature can be enabled by software. If an HSE clock failure occurs, the internal RC (16 MHz/8) is automatically selected by the CSS and an interrupt can optionally be generated.
- **Configurable main clock output (CCO):** This outputs an external clock for use by the application.

Table 2: Peripheral clock gating bit assignments in CLK\_PCKENR1/2 registers

| Bit     | Peripheral clock | Bit     | Peripheral clock | Bit     | Peripheral clock | Bit     | Peripheral clock |
|---------|------------------|---------|------------------|---------|------------------|---------|------------------|
| PCKEN17 | TIM1             | PCKEN13 | UART1            | PCKEN27 | Reserved         | PCKEN23 | ADC              |
| PCKEN16 | Reserved         | PCKEN12 | Reserved         | PCKEN26 | Reserved         | PCKEN22 | AWU              |
| PCKEN15 | TIM2             | PCKEN11 | SPI              | PCKEN25 | Reserved         | PCKEN21 | Reserved         |
| PCKEN14 | TIM4             | PCKEN10 | I <sup>2</sup> C | PCKEN24 | Reserved         | PCKEN20 | Reserved         |

## 4.6 Power management

For efficient power management, the application can be put in one of four different low-power modes. You can configure each mode to obtain the best compromise between lowest power consumption, fastest start-up time and available wakeup sources.

- **Wait mode:** In this mode, the CPU is stopped, but peripherals are kept running. The wakeup is performed by an internal or external interrupt or reset.
- **Active halt mode with regulator on:** In this mode, the CPU and peripheral clocks are stopped. An internal wakeup is generated at programmable intervals by the auto wake up unit (AWU). The main voltage regulator is kept powered on, so current consumption is higher than in active halt mode with regulator off, but the wakeup time is faster. Wakeup is triggered by the internal AWU interrupt, external interrupt or reset.
- **Active halt mode with regulator off:** This mode is the same as active halt with regulator on, except that the main voltage regulator is powered off, so the wake up time is slower.
- **Halt mode:** In this mode the microcontroller uses the least power. The CPU and peripheral clocks are stopped, the main voltage regulator is powered off. Wakeup is triggered by external event or reset.

## 4.7 Watchdog timers

The watchdog system is based on two independent timers providing maximum security to the applications.

Activation of the watchdog timers is controlled by option bytes or by software. Once activated, the watchdogs cannot be disabled by the user program without performing a reset.

### Window watchdog timer

The window watchdog is used to detect the occurrence of a software fault, usually generated by external interferences or by unexpected logical conditions, which cause the application program to abandon its normal sequence.

The window function can be used to trim the watchdog behavior to match the application perfectly.

The application software must refresh the counter before time-out and during a limited time window.

A reset is generated in two situations:

1. Timeout: At 16 MHz CPU clock the time-out period can be adjusted between 75  $\mu$ s up to 64 ms.
2. Refresh out of window: The downcounter is refreshed before its value is lower than the one stored in the window register.

### Independent watchdog timer

The independent watchdog peripheral can be used to resolve processor malfunctions due to hardware or software failures.

It is clocked by the 128 kHz LSI internal RC clock source, and thus stays active even in case of a CPU clock failure

The IWDG time base spans from 60  $\mu$ s to 1 s.

## 4.8 Auto wakeup counter

- Used for auto wakeup from active halt mode
- Clock source: Internal 128 kHz internal low frequency RC oscillator or external clock
- LSI clock can be internally connected to TIM1 input capture channel 1 for calibration

## 4.9 Beeper

The beeper function outputs a signal on the BEEP pin for sound generation. The signal is in the range of 1, 2 or 4 kHz.

The beeper output port is only available through the alternate function remap option bit AFR7.

## 4.10 TIM1 - 16-bit advanced control timer

This is a high-end timer designed for a wide range of control applications. With its complementary outputs, dead-time control and center-aligned PWM capability, the field of applications is extended to motor control, lighting and half-bridge driver

- 16-bit up, down and up/down autoreload counter with 16-bit prescaler
- Four independent capture/compare channels (CAPCOM) configurable as input capture, output compare, PWM generation (edge and center aligned mode) and single pulse mode output
- Synchronization module to control the timer with external signals
- Break input to force the timer outputs into a defined state
- Three complementary outputs with adjustable dead time

- Encoder mode
- Interrupt sources: 3 x input capture/output compare, 1 x overflow/update, 1 x break

#### 4.11 TIM2 - 16-bit general purpose timer

- 16-bit autoreload (AR) up-counter
- 15-bit prescaler adjustable to fixed power of 2 ratios 1...32768
- 3 individually configurable capture/compare channels
- PWM mode
- Interrupt sources: 3 x input capture/output compare, 1 x overflow/update

#### 4.12 TIM4 - 8-bit basic timer

- 8-bit autoreload, adjustable prescaler ratio to any power of 2 from 1 to 128
- Clock source: CPU clock
- Interrupt source: 1 x overflow/update

Table 3: TIM timer features

| Timer | Counter size (bits) | Prescaler                      | Counting mode | CAPCOM channels | Complem. outputs | Ext. trigger | Timer synchronization/chaining |
|-------|---------------------|--------------------------------|---------------|-----------------|------------------|--------------|--------------------------------|
| TIM1  | 16                  | Any integer from 1 to 65536    | Up/down       | 4               | 3                | Yes          | No                             |
| TIM2  | 16                  | Any power of 2 from 1 to 32768 | Up            | 3               | 0                | No           |                                |
| TIM4  | 8                   | Any power of 2 from 1 to 128   | Up            | 0               | 0                | No           |                                |

#### 4.13 Analog-to-digital converter (ADC1)

The STM8S003xx products contain a 10-bit successive approximation A/D converter (ADC1) with up to 5 external multiplexed inputs channels and the following features:

- Input voltage range: 0 to  $V_{DD}$
- Conversion time: 14 clock cycles
- Single and continuous and buffered continuous conversion modes
- Buffer size ( $n \times 10$  bits) where  $n$  = number of input channels
- Scan mode for single and continuous conversion of a sequence of channels
- Analog watchdog capability with programmable upper and lower thresholds
- Analog watchdog interrupt

- External trigger input
- Trigger from TIM1 TRGO
- End of conversion (EOC) interrupt

## 4.14 Communication interfaces

The following communication interfaces are implemented:

- UART1: Full feature UART, synchronous mode, SPI master mode, Smartcard mode, IrDA mode, single wire mode, LIN2.1 master capability
- SPI : Full and half-duplex, 8 Mbit/s
- I<sup>2</sup>C: Up to 400 Kbit/s

### 4.14.1 UART1

#### Main features

- One Mbit/s full duplex SCI
- SPI emulation
- High precision baud rate generator
- Smartcard emulation
- IrDA SIR encoder decoder
- LIN master mode
- Single wire half duplex mode

#### Asynchronous communication (UART mode)

- Full duplex communication - NRZ standard format (mark/space)
- Programmable transmit and receive baud rates up to 1 Mbit/s ( $f_{CPU}/16$ ) and capable of following any standard baud rate regardless of the input frequency
- Separate enable bits for transmitter and receiver
- Two receiver wakeup modes:
  - Address bit (MSB)
  - Idle line (interrupt)
- Transmission error detection with interrupt generation
- Parity control

#### Synchronous communication

- Full duplex synchronous transfers
- SPI master operation
- 8-bit data communication
- Maximum speed: 1 Mbit/s at 16 MHz ( $f_{CPU}/16$ )

#### LIN master mode

- Emission: Generates 13-bit synch break frame
- Reception: Detects 11-bit break frame



#### 4.14.2 SPI

- Maximum speed: 8 Mbit/s ( $f_{\text{MASTER}}/2$ ) both for master and slave
- Full duplex synchronous transfers
- Simplex synchronous transfers on two lines with a possible bidirectional data line
- Master or slave operation - selectable by hardware or software
- CRC calculation
- 1 byte Tx and Rx buffer
- Slave/master selection input pin

#### 4.14.3 I<sup>2</sup>C

- I<sup>2</sup>C master features:
  - Clock generation
  - Start and stop generation
- I<sup>2</sup>C slave features:
  - Programmable I2C address detection
  - Stop bit detection
- Generation and detection of 7-bit/10-bit addressing and general call
- Supports different communication speeds:
  - Standard speed (up to 100 kHz)
  - Fast speed (up to 400 kHz)

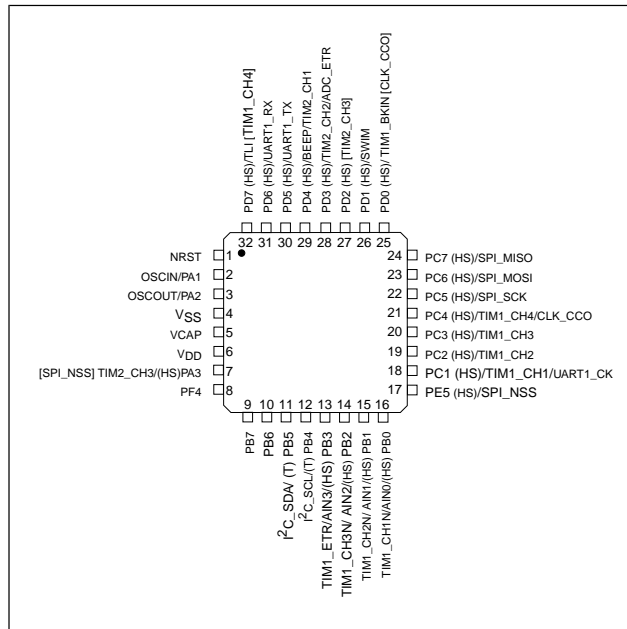
## 5 Pinout and pin description

Table 4: Legend/abbreviations for pinout tables

|                                |   |  |
|--------------------------------|---|--|
| Type                           | I= Input, O = Output, S = Power supply  |  |
| Level                          | Input   | CM = CMOS  |
|                                | Output  | HS = High sink                                       |
| Output speed                   | O1 = Slow (up to 2 MHz)<br>O2 = Fast (up to 10 MHz)<br>O3 = Fast/slow programmability with slow as default state after reset<br>O4 = Fast/slow programmability with fast as default state after reset |  |
| Port and control configuration | Input   | float = floating, wpu = weak pull-up                 |
|                                | Output  | T = True open drain, OD = Open drain, PP = Push pull |
| Reset state                    | Bold <b>X</b> (pin state after internal reset release).<br>Unless otherwise specified, the pin state is the same during the reset phase and after the internal reset release.                         |  |

### 5.1 STM8S003K3 LQFP32 pinout and pin description

Figure 3: STM8S003K3 LQFP32 pinout



1. (HS) high sink capability.
2. (T) True open drain (P-buffer and protection diode to V<sub>DD</sub> not implemented).
3. [ ] alternate function remapping option (if the same alternate function is shown twice, it indicates an exclusive choice not a duplication of the function).

**Table 5: LQFP32 pin description**

| Pin no. | Pin name                      | Type | Input    |     |                | Output                   |       |                  |    | Main function (after reset) | Default alternate function                      | Alternate function after remap [option bit] |
|---------|-------------------------------|------|----------|-----|----------------|--------------------------|-------|------------------|----|-----------------------------|---|---|
|         |                               |      | floating | wpu | Ext. interrupt | High sink <sup>(1)</sup> | Speed | OD               | PP |                             |   |   |
| 1       | NRST                          | I/O  |          | X   |                |                          |       |                  |    | Reset                       |   |   |
| 2       | PA1/ OSC1 <sup>(2)</sup>      | I/O  | X        | X   | X              |                          | O1    | X                | X  | Port A1                     | Resonator/crystal in                            |   |
| 3       | PA2/ OSCOUT                   | I/O  | X        | X   | X              |                          | O1    | X                | X  | Port A2                     | Resonator/crystal out                           |   |
| 4       | VSS                           | S    |          |     |                |                          |       |                  |    | Digital ground              |   |   |
| 5       | VCAP                          | S    |          |     |                |                          |       |                  |    | 1.8 V regulator capacitor   |   |   |
| 6       | VDD                           | S    |          |     |                |                          |       |                  |    | Digital power supply        |   |   |
| 7       | PA3/<br>TIM2_CH3<br>[SPI_NSS] | I/O  | X        | X   | X              | HS                       | O3    | X                | X  | Port A3                     | Timer 2 channel 3                               | SPI master/slave select [AFR1]              |
| 8       | PF4                           | I/O  | X        | X   |                |                          | O1    | X                | X  | Port F4                     |   |   |
| 9       | PB7                           | I/O  | X        | X   | X              |                          | O1    | X                | X  | Port B7                     |   |   |
| 10      | PB6                           | I/O  | X        | X   | X              |                          | O1    | X                | X  | Port B6                     |   |   |
| 11      | PB5/ I <sup>2</sup> C_SDA     | I/O  | X        |     | X              |                          | O1    | T <sup>(3)</sup> |    | Port B5                     | I <sup>2</sup> C data                           |   |
| 12      | PB4/ I <sup>2</sup> C_SCL     | I/O  | X        |     | X              |                          | O1    | T <sup>(3)</sup> |    | Port B4                     | I <sup>2</sup> C clock                          |   |
| 13      | PB3/AIN3/<br>TIM1_ETR         | I/O  | X        | X   | X              | HS                       | O3    | X                | X  | Port B3                     | Analog input 3/<br>Timer 1 external trigger     |   |
| 14      | PB2/AIN2/<br>TIM1_CH3N        | I/O  | X        | X   | X              | HS                       | O3    | X                | X  | Port B2                     | Analog input 2/<br>Timer 1 - inverted channel 3 |   |

| Pin no. | Pin name                       | Type | Input    |          |                | Output                   |       |    |    | Main function (after reset) | Default alternate function                              | Alternate function after remap [option bit] |
|---------|--------------------------------|------|----------|----------|----------------|--------------------------|-------|----|----|-----------------------------|---|---|
|         |                                |      | floating | wpu      | Ext. interrupt | High sink <sup>(1)</sup> | Speed | OD | PP |                             |   |   |
| 15      | PB1/AIN1/<br>TIM1_CH2N         | I/O  | <u>X</u> | X        | X              | HS                       | O3    | X  | X  | Port B1                     | Analog input 1/<br>Timer 1 -<br>inverted<br>channel 2   |   |
| 16      | PB0/AIN0/<br>TIM1_CH1N         | I/O  | <u>X</u> | X        | X              | HS                       | O3    | X  | X  | Port B0                     | Analog input 0/<br>Timer 1 -<br>inverted<br>channel 1   |   |
| 17      | PE5/<br>SPI_NSS                | I/O  | <u>X</u> | X        | X              | HS                       | O3    | X  | X  | Port E5                     | SPI<br>master/slave<br>select                           |   |
| 18      | PC1/<br>TIM1_CH1/<br>UART1_CK  | I/O  | <u>X</u> | X        | X              | HS                       | O3    | X  | X  | Port C1                     | Timer 1 -<br>channel 1<br>UART1 clock                   |   |
| 19      | PC2/<br>TIM1_CH2               | I/O  | <u>X</u> | X        | X              | HS                       | O3    | X  | X  | Port C2                     | Timer 1 -<br>channel 2                                  |   |
| 20      | PC3/<br>TIM1_CH3               | I/O  | <u>X</u> | X        | X              | HS                       | O3    | X  | X  | Port C3                     | Timer 1 -<br>channel 3                                  |   |
| 21      | PC4/<br>TIM1_CH4/<br>CLK_CCO   | I/O  | <u>X</u> | X        | X              | HS                       | O3    | X  | X  | Port C4                     | Timer 1 -<br>channel 4<br>/configurable<br>clock output |   |
| 22      | PC5/ SPI_SCK                   | I/O  | <u>X</u> | X        | X              | HS                       | O3    | X  | X  | Port C5                     | SPI clock   |   |
| 23      | PC6/ PI_MOSI                   | I/O  | <u>X</u> | X        | X              | HS                       | O3    | X  | X  | Port C6                     | SPI master<br>out/slave in                              |   |
| 24      | PC7/ PI_MISO                   | I/O  | <u>X</u> | X        | X              | HS                       | O3    | X  | X  | Port C7                     | SPI master in/<br>slave out                             |   |
| 25      | PD0/<br>TIM1_BKIN<br>[CLK_CCO] | I/O  | <u>X</u> | X        | X              | HS                       | O3    | X  | X  | Port D0                     | Timer 1 - break<br>input                                | Configurable<br>clock output<br>[AFR5]      |
| 26      | PD1/ SWIM<br>(4)               | I/O  | X        | <u>X</u> | X              | HS                       | O4    | X  | X  | Port D1                     | SWIM data<br>interface                                  |   |
| 27      | PD2<br>[TIM2_CH3]              | I/O  | <u>X</u> | X        | X              | HS                       | O3    | X  | X  | Port D2                     |   | Timer 2 -<br>channel<br>3[AFR1]             |

| Pin no. | Pin name                     | Type | Input    |     |                | Output                   |       |    |    | Main function (after reset) | Default alternate function               | Alternate function after remap [option bit] |
|---------|------------------------------|------|----------|-----|----------------|--------------------------|-------|----|----|-----------------------------|--|---|
|         |                              |      | floating | wpu | Ext. interrupt | High sink <sup>(1)</sup> | Speed | OD | PP |                             |  |   |
| 28      | PD3/<br>TIM2_CH2/<br>ADC_ETR | I/O  | X        | X   | X              | HS                       | O3    | X  | X  | Port D3                     | Timer 2 - channel 2/ADC external trigger |   |
| 29      | PD4/BEEP/<br>TIM2_CH1        | I/O  | X        | X   | X              | HS                       | O3    | X  | X  | Port D4                     | Timer 2 - channel 1/BEEP output          |   |
| 30      | PD5/<br>UART1_TX             | I/O  | X        | X   | X              | HS                       | O3    | X  | X  | Port D5                     | UART1 data transmit                      |   |
| 31      | PD6/<br>UART1_RX             | I/O  | X        | X   | X              | HS                       | O3    | X  | X  | Port D6                     | UART1 data receive                       |   |
| 32      | PD7/ TLI<br>[TIM1_CH4]       | I/O  | X        | X   | X              | HS                       | O3    | X  | X  | Port D7                     | Top level interrupt                      | Timer 1 - channel 4 [AFR6]                  |

(1) I/O pins used simultaneously for high current source/sink must be uniformly spaced around the package. In addition, the total driven current must respect the absolute maximum ratings (see [Electrical characteristics](#)).

(2) When the MCU is in Halt/Active-halt mode, PA1 is automatically configured in input weak pull-up and cannot be used for waking up the device. In this mode, the output state of PA1 is not driven. It is recommended to use PA1 only in input mode if Halt/Active-halt is used in the application.

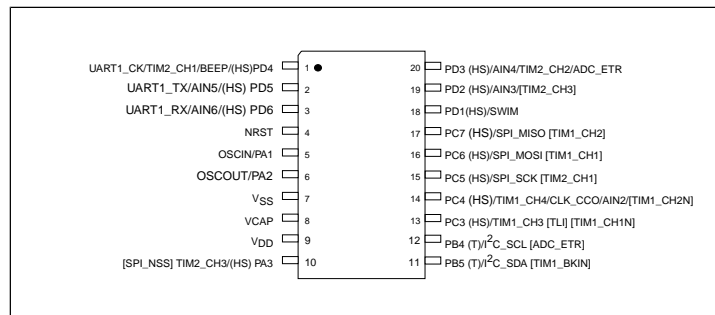
(3) In the open-drain output column, "T" defines a true open-drain I/O (P-buffer, weak pull-up, and protection diode to V<sub>DD</sub> are not implemented).

(4) The PD1 pin is in input pull-up during the reset phase and after internal reset release.

## 5.2 STM8S003F3 TSSOP20/UFQFPN20 pinout and pin description

### 5.2.1 STM8S003F3 TSSOP20 pinout and pin description

Figure 4: STM8S003F3 TSSOP20 pinout

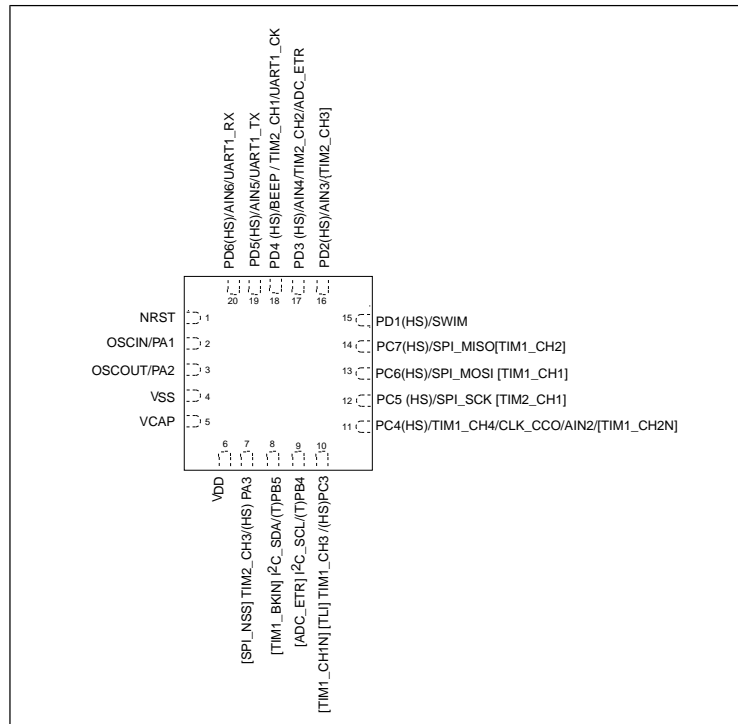


1. HS high sink capability.

- 2. (T) True open drain (P-buffer and protection diode to V<sub>DD</sub> not implemented).
- 3. [ ] alternate function remapping option (If the same alternate function is shown twice, it indicates an exclusive choice not a duplication of the function).

5.2.2 STM8S003F3 UFQFPN20 pinout

Figure 5: STM8S003F3 UFQFPN20-pin pinout



- 1. HS high sink capability.
- 2. (T) True open drain (P-buffer and protection diode to V<sub>DD</sub> not implemented).
- 3. [ ] alternate function remapping option (if the same alternate function is shown twice, it indicates an exclusive choice not a duplication of the function).

5.2.3 STM8S003F3 TSSOP20/UFQFPN20 pin description

Table 6: STM8S003F3 pin description

| Pin no. |          | Pin name                      | Type | Input    |     |              | Output        |       |    |    | Main function (after reset) | Default alternate function       | Alternate function after remap [option bit] |
|---------|----------|-------------------------------|------|----------|-----|--------------|---------------|-------|----|----|-----------------------------|----------------------------------|---|
| TSSOP20 | UFQFPN20 |                               |      | floating | wpu | Ext. interr. | High sink (1) | Speed | OD | PP |                             |                                  |   |
| 1       | 18       | PD4/ BEEP/ TIM2_CH1/ UART1_CK | I/O  | X        | X   | X            | HS            | O3    | X  | X  | Port D4                     | Timer 2 - channel 1/BEEP output/ |   |



| Pin no. |          | Pin name                              | Type | Input    |     |              | Output        |       |                  |    | Main function (after reset) | Default alternate function                                   | Alternate function after remap [option bit]                    |
|---------|----------|---------------------------------------|------|----------|-----|--------------|---------------|-------|------------------|----|-----------------------------|--|--|
| TSSOP20 | UFQFPN20 |                                       |      | floating | wpu | Ext. interr. | High sink (1) | Speed | OD               | PP |                             |  |  |
|         |          |                                       |      |          |     |              |               |       |                  |    | UART1 clock                 |  |  |
| 2       | 19       | PD5/ AIN5/ UART1_TX                   | I/O  | X        | X   | X            | HS            | O3    | X                | X  | Port D5                     | Analog input 5/ UART1 data transmit                          |  |
| 3       | 20       | PD6/ AIN6/ UART1_RX                   | I/O  | X        | X   | X            | HS            | O3    | X                | X  | Port D6                     | Analog input 6/ UART1 data receive                           |  |
| 4       | 1        | NRST                                  | I/O  |          | X   |              |               |       |                  |    | Reset                       |  |  |
| 5       | 2        | PA1/ OSCIN (2)                        | I/O  | X        | X   | X            |               | O1    | X                | X  | Port A1                     | Resonator/ crystal in  |  |
| 6       | 3        | PA2/ OSCOUT                           | I/O  | X        | X   | X            |               | O1    | X                | X  | Port A2                     | Resonator/ crystal out                                       |  |
| 7       | 4        | VSS                                   | S    |          |     |              |               |       |                  |    | Digital ground              |  |  |
| 8       | 5        | VCAP                                  | S    |          |     |              |               |       |                  |    | 1.8 V regulator capacitor   |  |  |
| 9       | 6        | VDD                                   | S    |          |     |              |               |       |                  |    | Digital power supply        |  |  |
| 10      | 7        | PA3/ TIM2_CH3 [SPI_NSS]               | I/O  | X        | X   | X            | HS            | O3    | X                | X  | Port A3                     | Timer 2 channel 3  | SPI master/ slave select [AFR1]                                |
| 11      | 8        | PB5/ I <sup>2</sup> C_SDA [TIM1_BKIN] | I/O  | X        |     | X            |               | O1    | T <sup>(3)</sup> |    | Port B5                     | I <sup>2</sup> C data  | Timer 1 - break input [AFR4]                                   |
| 12      | 9        | PB4/ I <sup>2</sup> C_SCL             | I/O  | X        |     | X            |               | O1    | T <sup>(3)</sup> |    | Port B4                     | I <sup>2</sup> C clock                                       | ADC external trigger [AFR4]                                    |
| 13      | 10       | PC3/ TIM1_CH3 [TLI] [TIM1_CH1N]       | I/O  | X        | X   | X            | HS            | O3    | X                | X  | Port C3                     | Timer 1 - channel 3  | Top level interrupt [AFR3] Timer 1 - inverted channel 1 [AFR7] |
| 14      | 11       | PC4/ CLK_CCO/ TIM1_CH4/AN2[TIM1_CH2N] | I/O  | X        | X   | X            | HS            | O3    | X                | X  | Port C4                     | Configurable clock output/Timer 1 - channel 4/Analog input 2 | Timer 1 - inverted channel 2 [AFR7]                            |
| 15      | 12       | PC5/ SPI_SCK [TIM2_CH1]               | I/O  | X        | X   | X            | HS            | O3    | X                | X  | Port C5                     | SPI clock  | Timer 2 - channel 1 [AFR0]                                     |

| Pin no. |          | Pin name                           | Type | Input    |     |              | Output        |       |    |    | Main function (after reset) | Default alternate function                                  | Alternate function after remap [option bit] |
|---------|----------|------------------------------------|------|----------|-----|--------------|---------------|-------|----|----|-----------------------------|---|---|
| TSSOP20 | UFQFPN20 |                                    |      | floating | wpu | Ext. interr. | High sink (1) | Speed | OD | PP |                             |   |   |
| 16      | 13       | PC6/<br>SPI_MOSI<br>[TIM1_CH1]     | I/O  | X        | X   | X            | HS            | O3    | X  | X  | Port C6                     | SPI master out/slave in                                     | Timer 1 - channel 1 [AFR0]                  |
| 17      | 14       | PC7/<br>SPI_MISO<br>[TIM1_CH2]     | I/O  | X        | X   | X            | HS            | O3    | X  | X  | Port C7                     | SPI master in/ slave out                                    | Timer 1 - channel 2 [AFR0]                  |
| 18      | 15       | PD1/<br>SWIM <sup>(4)</sup>        | I/O  | X        | X   | X            | HS            | O4    | X  | X  | Port D1                     | SWIM data interface   |   |
| 19      | 16       | PD2/AIN3[TIM2_CH3]                 | I/O  | X        | X   | X            | HS            | O3    | X  | X  | Port D2                     | Analog input 3  | Timer 2 - channel 3 [AFR1]                  |
| 20      | 17       | PD3/ AIN4/<br>TIM2_CH2/<br>ADC_ETR | I/O  | X        | X   | X            | HS            | O3    | X  | X  | Port D3                     | Analog input 4/<br>Timer 2 - channel 2/ADC external trigger |   |

(1) I/O pins used simultaneously for high current source/sink must be uniformly spaced around the package. In addition, the total driven current must respect the absolute maximum ratings.

(2) When the MCU is in halt/active-halt mode, PA1 is automatically configured in input weak pull-up and cannot be used for waking up the device. In this mode, the output state of PA1 is not driven. It is recommended to use PA1 only in input mode if halt/active-halt is used in the application.

(3) In the open-drain output column, "T" defines a true open-drain I/O (P-buffer, weak pull-up, and protection diode to V<sub>DD</sub> are not implemented).

(4) The PD1 pin is in input pull-up during the reset phase and after internal reset release.

### 5.3 Alternate function remapping

As shown in the rightmost column of the pin description table, some alternate functions can be remapped at different I/O ports by programming one of eight AFR (alternate function remap) option bits. When the remapping option is active, the default alternate function is no longer available.

To use an alternate function, the corresponding peripheral must be enabled in the peripheral registers.

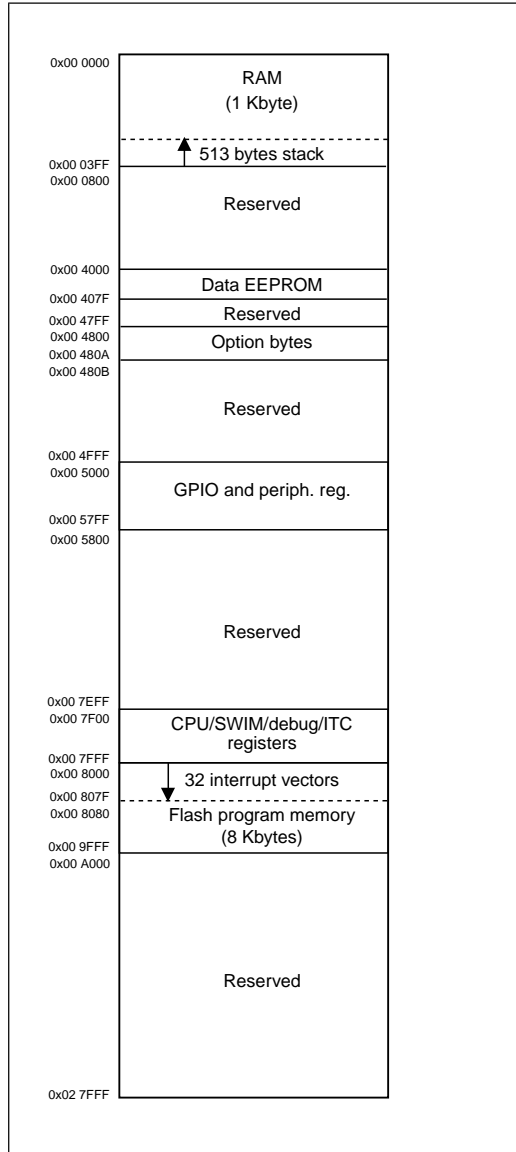
Alternate function remapping does not effect GPIO capabilities of the I/O ports (see the GPIO section of the family reference manual, RM0016).



# 6 Memory and register map

## 6.1 Memory map

Figure 6: Memory map



## 6.2 Register map

### 6.2.1 I/O port hardware register map

Table 7: I/O port hardware register map

| Address   | Block  | Register label | Register name                     | Reset status        |
|-----------|--------|----------------|-----------------------------------|---------------------|
| 0x00 5000 | Port A | PA_ODR         | Port A data output latch register | 0x00                |
| 0x00 5001 |        | PA_IDR         | Port A input pin value register   | 0xXX <sup>(1)</sup> |
| 0x00 5002 |        | PA_DDR         | Port A data direction register    | 0x00                |
| 0x00 5003 |        | PA_CR1         | Port A control register 1         | 0x00                |
| 0x00 5004 |        | PA_CR2         | Port A control register 2         | 0x00                |
| 0x00 5005 | Port B | PB_ODR         | Port B data output latch register | 0x00                |
| 0x00 5006 |        | PB_IDR         | Port B input pin value register   | 0xXX <sup>(1)</sup> |
| 0x00 5007 |        | PB_DDR         | Port B data direction register    | 0x00                |
| 0x00 5008 |        | PB_CR1         | Port B control register 1         | 0x00                |
| 0x00 5009 |        | PB_CR2         | Port B control register 2         | 0x00                |
| 0x00 500A | Port C | PC_ODR         | Port C data output latch register | 0x00                |
| 0x00 500B |        | PC_IDR         | Port C input pin value register   | 0xXX <sup>(1)</sup> |
| 0x00 500C |        | PC_DDR         | Port C data direction register    | 0x00                |
| 0x00 500D |        | PC_CR1         | Port C control register 1         | 0x00                |
| 0x00 500E |        | PC_CR2         | Port C control register 2         | 0x00                |
| 0x00 500F | Port D | PD_ODR         | Port D data output latch register | 0x00                |
| 0x00 5010 |        | PD_IDR         | Port D input pin value register   | 0xXX <sup>(1)</sup> |
| 0x00 5011 |        | PD_DDR         | Port D data direction register    | 0x00                |
| 0x00 5012 |        | PD_CR1         | Port D control register 1         | 0x02                |
| 0x00 5013 |        | PD_CR2         | Port D control register 2         | 0x00                |
| 0x00 5014 | Port E | PE_ODR         | Port E data output latch register | 0x00                |
| 0x00 5015 |        | PE_IDR         | Port E input pin value register   | 0xXX <sup>(1)</sup> |
| 0x00 5016 |        | PE_DDR         | Port E data direction register    | 0x00                |
| 0x00 5017 |        | PE_CR1         | Port E control register 1         | 0x00                |

| Address   | Block  | Register label | Register name                     | Reset status        |
|-----------|--------|----------------|-----------------------------------|---------------------|
| 0x00 5018 | Port E | PE_CR2         | Port E control register 2         | 0x00                |
| 0x00 5019 | Port F | PF_ODR         | Port F data output latch register | 0x00                |
| 0x00 501A |        | PF_IDR         | Port F input pin value register   | 0xXX <sup>(1)</sup> |
| 0x00 501B |        | PF_DDR         | Port F data direction register    | 0x00                |
| 0x00 501C |        | PF_CR1         | Port F control register 1         | 0x00                |
| 0x00 501D |        | PF_CR2         | Port F control register 2         | 0x00                |

<sup>(1)</sup>Depends on the external circuitry.

## 6.2.2 General hardware register map

Table 8: General hardware register map

| Address                   | Block                    | Register label | Register name                                    | Reset status |
|---------------------------|--------------------------|----------------|--|--------------|
| 0x00 501E to<br>0x00 5059 | Reserved area (60 bytes) |                |  |              |
| 0x00 505A                 | Flash                    | FLASH_CR1      | Flash control register 1                         | 0x00         |
| 0x00 505B                 |                          | FLASH_CR2      | Flash control register 2                         | 0x00         |
| 0x00 505C                 |                          | FLASH_NCR2     | Flash complementary control register 2           | 0xFF         |
| 0x00 505D                 |                          | FLASH_FPR      | Flash protection register                        | 0x00         |
| 0x00 505E                 |                          | FLASH_NFPR     | Flash complementary protection register          | 0xFF         |
| 0x00 505F                 |                          | FLASH_IAPSR    | Flash in-application programming status register | 0x00         |
| 0x00 5060 to<br>0x00 5061 | Reserved area (2 bytes)  |                |  |              |
| 0x00 5062                 | Flash                    | FLASH_PUKR     | Flash program memory unprotection register       | 0x00         |

| Address                | Block                    | Register label | Register name                         | Reset status        |
|------------------------|--------------------------|----------------|---------------------------------------|---------------------|
| 0x00 5063              | Reserved area (1 byte)   |                |                                       |                     |
| 0x00 5064              | Flash                    | FLASH_DUKR     | Data EEPROM unprotection register     | 0x00                |
| 0x00 5065 to 0x00 509F | Reserved area (59 bytes) |                |                                       |                     |
| 0x00 50A0              | ITC                      | EXTI_CR1       | External interrupt control register 1 | 0x00                |
| 0x00 50A1              |                          | EXTI_CR2       | External interrupt control register 2 | 0x00                |
| 0x00 50A2 to 0x00 50B2 | Reserved area (17 bytes) |                |                                       |                     |
| 0x00 50B3              | RST                      | RST_SR         | Reset status register                 | 0xXX <sup>(1)</sup> |
| 0x00 50B4 to 0x00 50BF | Reserved area (12 bytes) |                |                                       |                     |
| 0x00 50C0              | CLK                      | CLK_ICKR       | Internal clock control register       | 0x01                |
| 0x00 50C1              |                          | CLK_ECKR       | External clock control register       | 0x00                |
| 0x00 50C2              | Reserved area (1 byte)   |                |                                       |                     |
| 0x00 50C3              | CLK                      | CLK_CMSR       | Clock master status register          | 0xE1                |
| 0x00 50C4              |                          | CLK_SWR        | Clock master switch register          | 0xE1                |
| 0x00 50C5              |                          | CLK_SWCR       | Clock switch control register         | 0xFF                |
| 0x00 50C6              |                          | CLK_CKDIVR     | Clock divider register                | 0x18                |
| 0x00 50C7              |                          | CLK_PCKENR1    | Peripheral clock gating register 1    | 0xFF                |
| 0x00 50C8              |                          | CLK_CSSR       | Clock security system register        | 0x00                |
| 0x00 50C9              |                          | CLK_CCOR       | Configurable clock control register   | 0x00                |
| 0x00 50CA              |                          | CLK_PCKENR2    | Peripheral clock gating register 2    | 0xFF                |

| Address                   | Block                    | Register label | Register name                              | Reset status        |
|---------------------------|--------------------------|----------------|--|---------------------|
| 0x00 50CC                 |                          | CLK_HSITRIMR   | HSI clock calibration trimming register    | 0x00                |
| 0x00 50CD                 |                          | CLK_SWIMCCR    | SWIM clock control register                | 0bXXXX<br>XXX0      |
| 0x00 50CE to<br>0x00 50D0 | Reserved area (3 bytes)  |                |  |                     |
| 0x00 50D1                 | WWDG                     | WWDG_CR        | WWDG control register                      | 0x7F                |
| 0x00 50D2                 |                          | WWDG_WR        | WWDG window register                       | 0x7F                |
| 0x00 50D3 to 00<br>50DF   | Reserved area (13 bytes) |                |  |                     |
| 0x00 50E0                 | IWDG                     | IWDG_KR        | IWDG key register                          | 0xFF <sup>(2)</sup> |
| 0x00 50E1                 |                          | IWDG_PR        | IWDG prescaler register                    | 0x00                |
| 0x00 50E2                 |                          | IWDG_RLR       | IWDG reload register                       | 0xFF                |
| 0x00 50E3 to<br>0x00 50EF | Reserved area (13 bytes) |                |  |                     |
| 0x00 50F0                 | AWU                      | AWU_CSR1       | AWU control/status register 1              | 0x00                |
| 0x00 50F1                 |                          | AWU_APR        | AWU asynchronous prescaler buffer register | 0x3F                |
| 0x00 50F2                 |                          | AWU_TBR        | AWU timebase selection register            | 0x00                |
| 0x00 50F3                 | BEEP                     | BEEP_CSR       | BEEP control/status register               | 0x1F                |
| 0x00 50F4 to<br>0x00 50FF | Reserved area (12 bytes) |                |  |                     |
| 0x00 5200                 | SPI                      | SPI_CR1        | SPI control register 1                     | 0x00                |
| 0x00 5201                 |                          | SPI_CR2        | SPI control register 2                     | 0x00                |

| Address                   | Block                   | Register label | Register name                               | Reset status |  |
|---------------------------|-------------------------|----------------|---|--------------|--|
| 0x00 5202                 |                         | SPI_ICR        | SPI interrupt control register              | 0x00         |  |
| 0x00 5203                 |                         | SPI_SR         | SPI status register                         | 0x02         |  |
| 0x00 5204                 |                         | SPI_DR         | SPI data register                           | 0x00         |  |
| 0x00 5205                 |                         | SPI_CRCPR      | SPI CRC polynomial register                 | 0x07         |  |
| 0x00 5206                 |                         | SPI_RXCR       | SPI Rx CRC register                         | 0xFF         |  |
| 0x00 5207                 |                         | SPI_TXCR       | SPI Tx CRC register                         | 0xFF         |  |
| 0x00 5208 to<br>0x00 520F | Reserved area (8 bytes) |                |   |              |  |
| 0x00 5210                 | I <sup>2</sup> C        | I2C_CR1        | I <sup>2</sup> C control register 1         | 0x00         |  |
| 0x00 5211                 |                         | I2C_CR2        | I <sup>2</sup> C control register 2         | 0x00         |  |
| 0x00 5212                 |                         | I2C_FREQR      | I <sup>2</sup> C frequency register         | 0x00         |  |
| 0x00 5213                 |                         | I2C_OARL       | I <sup>2</sup> C Own address register low   | 0x00         |  |
| 0x00 5214                 |                         | I2C_OARH       | I <sup>2</sup> C Own address register high  | 0x00         |  |
| 0x00 5215                 |                         | Reserved       |   |              |  |
| 0x00 5216                 |                         | I2C_DR         | I <sup>2</sup> C data register              | 0x00         |  |
| 0x00 5217                 |                         | I2C_SR1        | I <sup>2</sup> C status register 1          | 0x00         |  |
| 0x00 5218                 |                         | I2C_SR2        | I <sup>2</sup> C status register 2          | 0x00         |  |
| 0x00 5219                 |                         | I2C_SR3        | I <sup>2</sup> C status register 3          | 0x0X         |  |
| 0x00 521A                 |                         | I2C_ITR        | I <sup>2</sup> C interrupt control register | 0x00         |  |
| 0x00 521B                 |                         | I2C_CCRL       | I <sup>2</sup> C Clock control register low | 0x00         |  |

| Address                | Block                    | Register label | Register name                                   | Reset status |
|------------------------|--------------------------|----------------|---|--------------|
| 0x00 521C              |                          | I2C_CCRH       | I <sup>2</sup> C Clock control register high    | 0x00         |
| 0x00 521D              |                          | I2C_TRISER     | I <sup>2</sup> C TRISE register                 | 0x02         |
| 0x00 521E              |                          | I2C_PECR       | I <sup>2</sup> C packet error checking register | 0x00         |
| 0x00 521F to 0x00 522F | Reserved area (17 bytes) |                |   |              |
| 0x00 5230              | UART1                    | UART1_SR       | UART1 status register                           | 0xC0         |
| 0x00 5231              |                          | UART1_DR       | UART1 data register                             | 0xFF         |
| 0x00 5232              |                          | UART1_BRR1     | UART1 baud rate register 1                      | 0x00         |
| 0x00 5233              |                          | UART1_BRR2     | UART1 baud rate register 2                      | 0x00         |
| 0x00 5234              |                          | UART1_CR1      | UART1 control register 1                        | 0x00         |
| 0x00 5235              |                          | UART1_CR2      | UART1 control register 2                        | 0x00         |
| 0x00 5236              |                          | UART1_CR3      | UART1 control register 3                        | 0x00         |
| 0x00 5237              |                          | UART1_CR4      | UART1 control register 4                        | 0x00         |
| 0x00 5238              |                          | UART1_CR5      | UART1 control register 5                        | 0x00         |
| 0x00 5239              |                          | UART1_GTR      | UART1 guard time register                       | 0x00         |
| 0x00 523A              |                          | UART1_PSCR     | UART1 prescaler register                        | 0x00         |
| 0x00 523B to 0x00 523F | Reserved area (21 bytes) |                |   |              |
| 0x00 5250              | TIM1                     | TIM1_CR1       | TIM1 control register 1                         | 0x00         |
| 0x00 5251              |                          | TIM1_CR2       | TIM1 control register 2                         | 0x00         |

| Address   | Block | Register label | Register name                          | Reset status |
|-----------|-------|----------------|--|--------------|
| 0x00 5252 |       | TIM1_SMCR      | TIM1 slave mode control register       | 0x00         |
| 0x00 5253 |       | TIM1_ETR       | TIM1 external trigger register         | 0x00         |
| 0x00 5254 |       | TIM1_IER       | TIM1 interrupt enable register         | 0x00         |
| 0x00 5255 |       | TIM1_SR1       | TIM1 status register 1                 | 0x00         |
| 0x00 5256 |       | TIM1_SR2       | TIM1 status register 2                 | 0x00         |
| 0x00 5257 |       | TIM1_EGR       | TIM1 event generation register         | 0x00         |
| 0x00 5258 |       | TIM1_CCMR1     | TIM1 capture/compare mode register 1   | 0x00         |
| 0x00 5259 |       | TIM1_CCMR2     | TIM1 capture/compare mode register 2   | 0x00         |
| 0x00 525A |       | TIM1_CCMR3     | TIM1 capture/compare mode register 3   | 0x00         |
| 0x00 525B |       | TIM1_CCMR4     | TIM1 capture/compare mode register 4   | 0x00         |
| 0x00 525C |       | TIM1_CCER1     | TIM1 capture/compare enable register 1 | 0x00         |
| 0x00 525D |       | TIM1_CCER2     | TIM1 capture/compare enable register 2 | 0x00         |
| 0x00 525E |       | TIM1_CNTRH     | TIM1 counter high                      | 0x00         |
| 0x00 525F |       | TIM1_CNTRL     | TIM1 counter low                       | 0x00         |
| 0x00 5260 |       | TIM1_PSCRH     | TIM1 prescaler register high           | 0x00         |
| 0x00 5261 |       | TIM1_PSCRL     | TIM1 prescaler register low            | 0x00         |
| 0x00 5262 |       | TIM1_ARRH      | TIM1 auto-reload register high         | 0xFF         |
| 0x00 5263 |       | TIM1_ARRL      | TIM1 auto-reload register low          | 0xFF         |
| 0x00 5264 |       | TIM1_RCR       | TIM1 repetition counter register       | 0x00         |



| Address                   | Block | Register label            | Register name                        | Reset status |
|---------------------------|-------|---------------------------|--------------------------------------|--------------|
| 0x00 5265                 |       | TIM1_CCR1H                | TIM1 capture/compare register 1 high | 0x00         |
| 0x00 5266                 |       | TIM1_CCR1L                | TIM1 capture/compare register 1 low  | 0x00         |
| 0x00 5267                 |       | TIM1_CCR2H                | TIM1 capture/compare register 2 high | 0x00         |
| 0x00 5268                 |       | TIM1_CCR2L                | TIM1 capture/compare register 2 low  | 0x00         |
| 0x00 5269                 |       | TIM1_CCR3H                | TIM1 capture/compare register 3 high | 0x00         |
| 0x00 526A                 |       | TIM1_CCR3L                | TIM1 capture/compare register 3 low  | 0x00         |
| 0x00 526B                 |       | TIM1_CCR4H                | TIM1 capture/compare register 4 high | 0x00         |
| 0x00 526C                 |       | TIM1_CCR4L                | TIM1 capture/compare register 4 low  | 0x00         |
| 0x00 526D                 |       | TIM1_BKR                  | TIM1 break register                  | 0x00         |
| 0x00 526E                 |       | TIM1_DTR                  | TIM1 dead-time register              | 0x00         |
| 0x00 526F                 |       | TIM1_OISR                 | TIM1 output idle state register      | 0x00         |
| 0x00 5270 to<br>0x00 52FF |       | Reserved area (147 bytes) |                                      |              |
| 0x00 5300                 | TIM2  | TIM2_CR1                  | TIM2 control register 1              | 0x00         |
| 0x00 5301                 |       | Reserved                  |                                      |              |
| 0x00 5302                 |       | Reserved                  |                                      |              |
| 0x00 5303                 |       | TIM2_IER                  | TIM2 Interrupt enable register       | 0x00         |
| 0x00 5304                 |       | TIM2_SR1                  | TIM2 status register 1               | 0x00         |
| 0x00 5305                 |       | TIM2_SR2                  | TIM2 status register 2               | 0x00         |
| 0x00 5306                 |       | TIM2_EGR                  | TIM2 event generation register       | 0x00         |

| Address                   | Block                    | Register label | Register name                          | Reset status |
|---------------------------|--------------------------|----------------|--|--------------|
| 0x00 5307                 |                          | TIM2_CCMR1     | TIM2 capture/compare mode register 1   | 0x00         |
| 0x00 5308                 |                          | TIM2_CCMR2     | TIM2 capture/compare mode register 2   | 0x00         |
| 0x00 5309                 |                          | TIM2_CCMR3     | TIM2 capture/compare mode register 3   | 0x00         |
| 0x00 530A                 |                          | TIM2_CCER1     | TIM2 capture/compare enable register 1 | 0x00         |
| 0x00 530B                 |                          | TIM2_CCER2     | TIM2 capture/compare enable register 2 | 0x00         |
| 0x00 530C                 |                          | TIM2_CNTRH     | TIM2 counter high                      | 0x00         |
| 0x00 530D                 |                          | TIM2_CNTRL     | TIM2 counter low                       | 0x00         |
| 0x00 530E                 |                          | TIM2_PSCR      | TIM2 prescaler register                | 0x00         |
| 0x00 530F                 |                          | TIM2_ARRH      | TIM2 auto-reload register high         | 0xFF         |
| 0x00 5310                 |                          | TIM2_ARRL      | TIM2 auto-reload register low          | 0xFF         |
| 0x00 5311                 |                          | TIM2_CCR1H     | TIM2 capture/compare register 1 high   | 0x00         |
| 0x00 5312                 |                          | TIM2_CCR1L     | TIM2 capture/compare register 1 low    | 0x00         |
| 0x00 5313                 |                          | TIM2_CCR2H     | TIM2 capture/compare reg. 2 high       | 0x00         |
| 0x00 5314                 |                          | TIM2_CCR2L     | TIM2 capture/compare register 2 low    | 0x00         |
| 0x00 5315                 |                          | TIM2_CCR3H     | TIM2 capture/compare register 3 high   | 0x00         |
| 0x00 5316                 |                          | TIM2_CCR3L     | TIM2 capture/compare register 3 low    | 0x00         |
| 0x00 5317 to<br>0x00 533F | Reserved area (43 bytes) |                |  |              |
| 0x00 5340                 | TIM4                     | TIM4_CR1       | TIM4 control register 1                | 0x00         |
| 0x00 5341                 |                          | Reserved       |  |              |

| Address                   | Block                     | Register label | Register name                             | Reset status |
|---------------------------|---------------------------|----------------|---|--------------|
| 0x00 5342                 |                           | Reserved       |   |              |
| 0x00 5343                 |                           | TIM4_IER       | TIM4 interrupt enable register            | 0x00         |
| 0x00 5344                 |                           | TIM4_SR        | TIM4 status register                      | 0x00         |
| 0x00 5345                 |                           | TIM4_EGR       | TIM4 event generation register            | 0x00         |
| 0x00 5346                 |                           | TIM4_CNTR      | TIM4 counter                              | 0x00         |
| 0x00 5347                 |                           | TIM4_PSCR      | TIM4 prescaler register                   | 0x00         |
| 0x00 5348                 |                           | TIM4_ARR       | TIM4 auto-reload register                 | 0xFF         |
| 0x00 5349 to<br>0x00 53DF | Reserved area (153 bytes) |                |   |              |
| 0x00 53E0 to<br>0x00 53F3 | ADC1                      | ADC_DBxR       | ADC data buffer registers                 | 0x00         |
| 0x00 53F4 to<br>0x00 53FF | Reserved area (12 bytes)  |                |   |              |
| 0x00 5400                 | ADC1                      | ADC_CSR        | ADC control/status register               | 0x00         |
| 0x00 5401                 |                           | ADC_CR1        | ADC configuration register 1              | 0x00         |
| 0x00 5402                 |                           | ADC_CR2        | ADC configuration register 2              | 0x00         |
| 0x00 5403                 |                           | ADC_CR3        | ADC configuration register 3              | 0x00         |
| 0x00 5404                 |                           | ADC_DRH        | ADC data register high                    | 0xFF         |
| 0x00 5405                 |                           | ADC_DRL        | ADC data register low                     | 0xFF         |
| 0x00 5406                 |                           | ADC_TDRH       | ADC Schmitt trigger disable register high | 0x00         |
| 0x00 5407                 |                           | ADC_TDRL       | ADC Schmitt trigger disable register low  | 0x00         |

| Address                | Block                      | Register label | Register name                             | Reset status |
|------------------------|----------------------------|----------------|---|--------------|
| 0x00 5408              |                            | ADC_HTRH       | ADC high threshold register high          | 0x03         |
| 0x00 5409              |                            | ADC_HTRL       | ADC high threshold register low           | 0xFF         |
| 0x00 540A              |                            | ADC_LTRH       | ADC low threshold register high           | 0x00         |
| 0x00 540B              |                            | ADC_LTRL       | ADC low threshold register low            | 0x00         |
| 0x00 540C              |                            | ADC_AWSRH      | ADC analog watchdog status register high  | 0x00         |
| 0x00 540D              |                            | ADC_AWSRL      | ADC analog watchdog status register low   | 0x00         |
| 0x00 540E              |                            | ADC_AWCRH      | ADC analog watchdog control register high | 0x00         |
| 0x00 540F              |                            | ADC_AWCRL      | ADC analog watchdog control register low  | 0x00         |
| 0x00 5410 to 0x00 57FF | Reserved area (1008 bytes) |                |   |              |

<sup>(1)</sup>Depends on the previous reset source.

<sup>(2)</sup>Write only register.

### 6.2.3 CPU/SWIM/debug module/interrupt controller registers

Table 9: CPU/SWIM/debug module/interrupt controller registers

| Address   | Block              | Register label | Register name            | Reset status |
|-----------|--------------------|----------------|--------------------------|--------------|
| 0x00 7F00 | CPU <sup>(1)</sup> | A              | Accumulator              | 0x00         |
| 0x00 7F01 |                    | PCE            | Program counter extended | 0x00         |
| 0x00 7F02 |                    | PCH            | Program counter high     | 0x00         |
| 0x00 7F03 |                    | PCL            | Program counter low      | 0x00         |
| 0x00 7F04 |                    | XH             | X index register high    | 0x00         |
| 0x00 7F05 |                    | XL             | X index register low     | 0x00         |

| Address                   | Block                    | Register label | Register name                             | Reset status |
|---------------------------|--------------------------|----------------|---|--------------|
| 0x00 7F06                 |                          | YH             | Y index register high                     | 0x00         |
| 0x00 7F07                 |                          | YL             | Y index register low                      | 0x00         |
| 0x00 7F08                 |                          | SPH            | Stack pointer high                        | 0x03         |
| 0x00 7F09                 |                          | SPL            | Stack pointer low                         | 0xFF         |
| 0x00 7F0A                 |                          | CCR            | Condition code register                   | 0x28         |
| 0x00 7F0B to<br>0x00 7F5F | Reserved area (85 bytes) |                |   |              |
| 0x00 7F60                 | CPU                      | CFG_GCR        | Global configuration register             | 0x00         |
| 0x00 7F70                 | ITC                      | ITC_SPR1       | Interrupt software priority register 1    | 0xFF         |
| 0x00 7F71                 |                          | ITC_SPR2       | Interrupt software priority register 2    | 0xFF         |
| 0x00 7F72                 |                          | ITC_SPR3       | Interrupt software priority register 3    | 0xFF         |
| 0x00 7F73                 |                          | ITC_SPR4       | Interrupt software priority register 4    | 0xFF         |
| 0x00 7F74                 |                          | ITC_SPR5       | Interrupt software priority register 5    | 0xFF         |
| 0x00 7F75                 |                          | ITC_SPR6       | Interrupt software priority register 6    | 0xFF         |
| 0x00 7F76                 |                          | ITC_SPR7       | Interrupt software priority register 7    | 0xFF         |
| 0x00 7F77                 |                          | ITC_SPR8       | Interrupt software priority register 8    | 0xFF         |
| 0x00 7F78 to<br>0x00 7F79 | Reserved area (2 bytes)  |                |   |              |
| 0x00 7F80                 | SWIM                     | SWIM_CSR       | SWIM control status register              | 0x00         |
| 0x00 7F81 to<br>0x00 7F8F | Reserved area (15 bytes) |                |   |              |
| 0x00 7F90                 | DM                       | DM_BK1RE       | DM breakpoint 1 register extended<br>byte | 0xFF         |
| 0x00 7F91                 |                          | DM_BK1RH       | DM breakpoint 1 register high byte        | 0xFF         |
| 0x00 7F92                 |                          | DM_BK1RL       | DM breakpoint 1 register low byte         | 0xFF         |
| 0x00 7F93                 |                          | DM_BK2RE       | DM breakpoint 2 register extended<br>byte | 0xFF         |
| 0x00 7F94                 |                          | DM_BK2RH       | DM breakpoint 2 register high byte        | 0xFF         |
| 0x00 7F95                 |                          | DM_BK2RL       | DM breakpoint 2 register low byte         | 0xFF         |
| 0x00 7F96                 |                          | DM_CR1         | DM debug module control register 1        | 0x00         |
| 0x00 7F97                 |                          | DM_CR2         | DM debug module control register 2        | 0x00         |

| Address                | Block                   | Register label | Register name                             | Reset status |
|------------------------|-------------------------|----------------|---|--------------|
| 0x00 7F98              |                         | DM_CSR1        | DM debug module control/status register 1 | 0x10         |
| 0x00 7F99              |                         | DM_CSR2        | DM debug module control/status register 2 | 0x00         |
| 0x00 7F9A              |                         | DM_ENFCTR      | DM enable function register               | 0xFF         |
| 0x00 7F9B to 0x00 7F9F | Reserved area (5 bytes) |                |   |              |

<sup>(1)</sup> Accessible by debug module only

## 7 Interrupt vector mapping

Table 10: Interrupt mapping

| IRQ no. | Source block     | Description                                       | Wakeup from halt mode | Wakeup from active-halt mode | Vector address |
|---------|------------------|---|-----------------------|------------------------------|----------------|
|         | RESET            | Reset   | Yes                   | Yes                          | 0x00 8000      |
|         | TRAP             | Software interrupt                                | -                     | -                            | 0x00 8004      |
| 0       | TLI              | External top level interrupt                      | -                     | -                            | 0x00 8008      |
| 1       | AWU              | Auto wake up from halt                            | -                     | Yes                          | 0x00 800C      |
| 2       | CLK              | Clock controller                                  | -                     | -                            | 0x00 8010      |
| 3       | EXTI0            | Port A external interrupts                        | Yes <sup>(1)</sup>    | Yes <sup>(1)</sup>           | 0x00 8014      |
| 4       | EXTI1            | Port B external interrupts                        | Yes                   | Yes                          | 0x00 8018      |
| 5       | EXTI2            | Port C external interrupts                        | Yes                   | Yes                          | 0x00 801C      |
| 6       | EXTI3            | Port D external interrupts                        | Yes                   | Yes                          | 0x00 8020      |
| 7       | EXTI4            | Port E external interrupts                        | Yes                   | Yes                          | 0x00 8024      |
| 8       |                  | Reserved  | -                     | -                            | 0x00 8028      |
| 9       |                  | Reserved  | -                     | -                            | 0x00 802C      |
| 10      | SPI              | End of transfer                                   | Yes                   | Yes                          | 0x00 8030      |
| 11      | TIM1             | TIM1 update/ overflow/ underflow/ trigger/ break  | -                     | -                            | 0x00 8034      |
| 12      | TIM1             | TIM1 capture/ compare                             | -                     | -                            | 0x00 8038      |
| 13      | TIM2             | TIM2 update/ overflow                             | -                     | -                            | 0x00 803C      |
| 14      | TIM2             | TIM2 capture/ compare                             | -                     | -                            | 0x00 8040      |
| 15      |                  | Reserved  | -                     | -                            | 0x00 8044      |
| 16      |                  | Reserved  | -                     | -                            | 0x00 8048      |
| 17      | UART1            | Tx complete                                       | -                     | -                            | 0x00 804C      |
| 18      | UART1            | Receive register DATA FULL                        | -                     | -                            | 0x00 8050      |
| 19      | I <sup>2</sup> C | I <sup>2</sup> C interrupt                        | Yes                   | Yes                          | 0x00 8054      |
| 20      |                  | Reserved  | -                     | -                            | 0x00 8058      |
| 21      |                  | Reserved  | -                     | -                            | 0x00 805C      |
| 22      | ADC1             | ADC1 end of conversion/ analog watchdog interrupt | -                     | -                            | 0x00 8060      |

| IRQ no.  | Source block | Description           | Wakeup from halt mode | Wakeup from active-halt mode | Vector address            |
|----------|--------------|-----------------------|-----------------------|------------------------------|---------------------------|
| 23       | TIM4         | TIM4 update/ overflow | -                     | -                            | 0x00 8064                 |
| 24       | Flash        | EOP/WR_PG_DIS         | -                     | -                            | 0x00 8068                 |
| Reserved |              |                       |                       |                              | 0x00 806C to<br>0x00 807C |

<sup>(1)</sup> Except PA1



## 8 Option bytes

Option bytes contain configurations for device hardware features as well as the memory protection of the device. They are stored in a dedicated block of the memory. Except for the ROP (read-out protection) byte, each option byte has to be stored twice, in a regular form (OPTx) and a complemented one (NOPTx) for redundancy.

Option bytes can be modified in ICP mode (via SWIM) by accessing the EEPROM address shown in the table below.

Option bytes can also be modified 'on the fly' by the application in IAP mode, except the ROP option that can only be modified in ICP mode (via SWIM).

Refer to the STM8S Flash programming manual (PM0051) and STM8 SWIM communication protocol and debug module user manual (UM0470) for information on SWIM programming procedures.

**Table 11: Option bytes**

| Addr.   | Option name                        | Option byte no. | Option bits   |       |       |           |            |          |          |           | Factory default setting |
|---------|------------------------------------|-----------------|---------------|-------|-------|-----------|------------|----------|----------|-----------|-------------------------|
|         |                                    |                 | 7             | 6     | 5     | 4         | 3          | 2        | 1        | 0         |                         |
| 0x4800  | Read-out protection (ROP)          | OPT0            | ROP [7:0]     |       |       |           |            |          |          |           | 0x00                    |
| 0x4801  | User boot code(UBC)                | OPT1            | UBC [7:0]     |       |       |           |            |          |          |           | 0x00                    |
| 0x4802  |                                    | NOPT1           | NUBC [7:0]    |       |       |           |            |          |          |           | 0xFF                    |
| 0x4803  | Alternate function remapping (AFR) | OPT2            | AFR7          | AFR6  | AFR5  | AFR4      | AFR3       | AFR2     | AFR1     | AFR0      | 0x00                    |
| 0x4804  |                                    | NOPT2           | NAFR7         | NAFR6 | NAFR5 | NAFR4     | NAFR3      | NAFR2    | NAFR1    | NAFR0     | 0xFF                    |
| 0x4805h | Miscell. option                    | OPT3            | Reserved      |       |       | HSI TRIM  | LSI_EN     | IWDG_HW  | WWDG_HW  | WWDG_HALT | 0x00                    |
| 0x4806  |                                    | NOPT3           | Reserved      |       |       | NHSI TRIM | NLSI_EN    | NIWDG_HW | NWWDG_HW | NWWG_HALT | 0xFF                    |
| 0x4807  | Clock option                       | OPT4            | Reserved      |       |       | EXT CLK   | CKAWU SEL  | PRS C1   | PRS C0   | 0x00      |                         |
| 0x4808  |                                    | NOPT4           | Reserved      |       |       | NEXT CLK  | NCKA WUSEL | NPRSC1   | NPR SC0  | 0xFF      |                         |
| 0x4809  | HSE clock startup                  | OPT5            | HSECNT [7:0]  |       |       |           |            |          |          |           | 0x00                    |
| 0x480A  |                                    | NOPT5           | NHSECNT [7:0] |       |       |           |            |          |          |           | 0xFF                    |

**Table 12: Option byte description**

| Option byte no. | Description  |
|-----------------|--|
| OPT0            | <p><b>ROP[7:0]</b> Memory readout protection (ROP)</p> <p>0xAA: Enable readout protection (write access via SWIM protocol)</p> |

| Option byte no. | Description  |
|-----------------|--|
|                 | <i>Note: Refer to the family reference manual (RM0016) section on Flash/EEPROM memory readout protection for details.</i>  |
| OPT1            | <p><b>UBC[7:0]</b> User boot code area</p> <p>0x00: no UBC, no write-protection</p> <p>0x01: Page 0 defined as UBC, memory write-protected</p> <p>0x02: Pages 0 to 1 defined as UBC, memory write-protected.<br/>Page 0 and 1 contain the interrupt vectors.</p> <p>...</p> <p>0x7F: Pages 0 to 126 defined as UBC, memory write-protected</p> <p>Other values: Pages 0 to 127 defined as UBC, memory write-protected</p> <p><i>Note: Refer to the family reference manual (RM0016) section on Flash write protection for more details.</i></p>  |
| OPT2            | <p><b>AFR[7:0]</b></p> <p>Refer to following section for alternate function remapping descriptions of bits [7:2] and [1:0] respectively.</p>   |
| OPT3            | <p><b>HSITRIM:</b>High speed internal clock trimming register size</p> <p>0: 3-bit trimming supported in CLK_HSITRIMR register</p> <p>1: 4-bit trimming supported in CLK_HSITRIMR register</p> <hr/> <p><b>LSI_EN:</b>Low speed internal clock enable</p> <p>0: LSI clock is not available as CPU clock source</p> <p>1: LSI clock is available as CPU clock source</p> <hr/> <p><b>IWDG_HW:</b> Independent watchdog</p> <p>0: IWDG Independent watchdog activated by software</p> <p>1: IWDG Independent watchdog activated by hardware</p> <hr/> <p><b>WWDG_HW:</b> Window watchdog activation</p> <p>0: WWDG window watchdog activated by software</p> <p>1: WWDG window watchdog activated by hardware</p> <hr/> <p><b>WWDG_HALT:</b> Window watchdog reset on halt</p> |

| Option byte no. | Description  |
|-----------------|--|
|                 | 0: No reset generated on halt if WWDG active<br>1: Reset generated on halt if WWDG active  |
| OPT4            | <b>EXTCLK:</b> External clock selection<br>0: External crystal connected to OSCIN/OSCOU<br>1: External clock signal on OSCIN                                 |
|                 | <b>CKAWUSEL:</b> Auto wake-up unit/clock<br>0: LSI clock source selected for AWU<br>1: HSE clock with prescaler selected as clock source for for AWU         |
|                 | <b>PRSC[1:0]</b> AWU clock prescaler<br>0x: 16 MHz to 128 kHz prescaler<br>10: 8 MHz to 128 kHz prescaler<br>11: 4 MHz to 128 kHz prescaler                  |
| OPT5            | <b>HSECNT[7:0]:</b> HSE crystal oscillator stabilization time<br>0x00: 2048 HSE cycles<br>0xB4: 128 HSE cycles<br>0xD2: 8 HSE cycles<br>0xE1: 0.5 HSE cycles |

## 8.1 Alternate function remapping bits

Table 13: STM8S003K3 alternate function remapping bits for 32-pin devices

| Option byte no. | Description <sup>(1)</sup>  |
|-----------------|---|
| OPT2            | <b>AFR7</b> Alternate function remapping option 7<br>Reserved.<br><b>AFR6</b> Alternate function remapping option 6<br>0: AFR6 remapping option inactive: Default alternate function <sup>(2)</sup> .<br>1: Port D7 alternate function = TIM1_CH4.<br><b>AFR5</b> Alternate function remapping option 5<br>0: AFR5 remapping option inactive: Default alternate function <sup>(2)</sup> . |

| Option byte no. | Description <sup>(1)</sup>   |
|-----------------|--|
|                 | 1: Port D0 alternate function = CLK_CCO.<br><b>AFR[4:2]</b> Alternate function remapping options 4:2<br>Reserved.<br><b>AFR1</b> Alternate function remapping option 1<br>0: AFR1 remapping option inactive: Default alternate functions <sup>(2)</sup> .<br>1: Port A3 alternate function = SPI_NSS; port D2 alternate function = TIM2_CH3.<br><b>AFR0</b> Alternate function remapping option 0<br>Reserved. |

<sup>(1)</sup> Do not use more than one remapping option in the same port. It is forbidden to enable both AFR1 and AFR0.

<sup>(2)</sup> Refer to pinout description.

**Table 14: STM8S003F3 alternate function remapping bits for 20-pin devices**

| Option byte no. | Description  |
|-----------------|--|
| OPT2            | <b>AFR7</b> Alternate function remapping option 7<br>0: AFR7 remapping option inactive: Default alternate functions <sup>(1)</sup> .<br>1: Port C3 alternate function = TIM1_CH1N; port C4 alternate function = TIM1_CH2N.<br><b>AFR6</b> Alternate function remapping option 6<br>Reserved.<br><b>AFR5</b> Alternate function remapping option 5<br>Reserved.<br><b>AFR4</b> Alternate function remapping option 4<br>0: AFR4 remapping option inactive: Default alternate functions <sup>(1)</sup> .<br>1: Port B4 alternate function = ADC_ETR; port B5 alternate function = TIM1_BKIN.<br><b>AFR3</b> Alternate function remapping option 3<br>0: AFR3 remapping option inactive: Default alternate function <sup>(1)</sup> .<br>1: Port C3 alternate function = TLI.<br><b>AFR2</b> Alternate function remapping option 2 |

| Option byte no. | Description   |
|-----------------|---|
|                 | <p>Reserved</p> <p><b>AFR1</b> Alternate function remapping option 1<sup>(2)</sup></p> <p>0: AFR1 remapping option inactive: Default alternate functions<sup>(1)</sup>.</p> <p>1: Port A3 alternate function = SPI_NSS; port D2 alternate function = TIM2_CH3.</p> <p><b>AFR0</b> Alternate function remapping option 0<sup>(2)</sup></p> <p>0: AFR0 remapping option inactive: Default alternate functions<sup>(1)</sup>.</p> <p>1: Port C5 alternate function = TIM2_CH1; port C6 alternate function = TIM1_CH1; port C7 alternate function = TIM1_CH2.</p> |

<sup>(1)</sup> Refer to pinout description.

<sup>(2)</sup> Do not use more than one remapping option in the same port. It is forbidden to enable both AFR1 and AFR0.

## 9 Electrical characteristics

### 9.1 Parameter conditions

Unless otherwise specified, all voltages are referred to  $V_{SS}$ .

#### 9.1.1 Minimum and maximum values

Unless otherwise specified the minimum and maximum values are guaranteed in the worst conditions of ambient temperature, supply voltage and frequencies by tests in production on 100 % of the devices with an ambient temperature at  $T_A = 25\text{ }^\circ\text{C}$  and  $T_A = T_{Amax}$  (given by the selected temperature range).

Data based on characterization results, design simulation and/or technology characteristics are indicated in the table footnotes and are not tested in production. Based on characterization, the minimum and maximum values refer to sample tests and represent the mean value plus or minus three times the standard deviation (mean  $\pm 3\ \Sigma$ ).

#### 9.1.2 Typical values

Unless otherwise specified, typical data are based on  $T_A = 25\text{ }^\circ\text{C}$ ,  $V_{DD} = 5\text{ V}$ . They are given only as design guidelines and are not tested.

Typical ADC accuracy values are determined by characterization of a batch of samples from a standard diffusion lot over the full temperature range, where 95% of the devices have an error less than or equal to the value indicated (mean  $\pm 2\ \Sigma$ ).

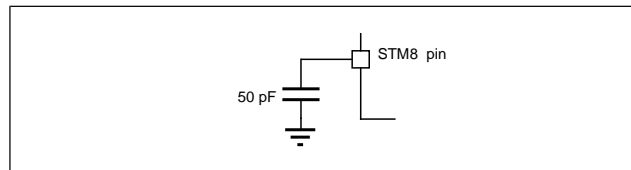
#### 9.1.3 Typical curves

Unless otherwise specified, all typical curves are given only as design guidelines and are not tested.

#### 9.1.4 Loading capacitor

The loading conditions used for pin parameter measurement are shown in the following figure.

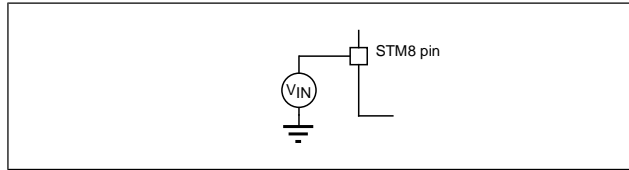
**Figure 7: Pin loading conditions**



#### 9.1.5 Pin input voltage

The input voltage measurement on a pin of the device is described in the following figure.

Figure 8: Pin input voltage



## 9.2 Absolute maximum ratings

Stresses above those listed as 'absolute maximum ratings' may cause permanent damage to the device. This is a stress rating only and functional operation of the device under these conditions is not implied. Exposure to maximum rating conditions for extended periods may affect device reliability.

Table 15: Voltage characteristics

| Symbol               | Ratings  | Min   | Max            | Unit |
|----------------------|--|---|----------------|------|
| $V_{DDx} - V_{SS}$   | Supply voltage <sup>(1)</sup>                        | -0.3  | 6.5            | V    |
| $V_{IN}$             | Input voltage on true open drain pins <sup>(2)</sup> | $V_{SS} - 0.3$  | 6.5            |      |
|                      | Input voltage on any other pin <sup>(2)</sup>        | $V_{SS} - 0.3$  | $V_{DD} + 0.3$ |      |
| $ V_{DDx} - V_{DD} $ | Variations between different power pins              |   | 50             | mV   |
| $ V_{SSx} - V_{SS} $ | Variations between all the different ground pins     |   | 50             |      |
| $V_{ESD}$            | Electrostatic discharge voltage                      | See "Absolute maximum ratings (electrical sensitivity)" |                |      |

<sup>(1)</sup> All power ( $V_{DD}$ ) and ground ( $V_{SS}$ ) pins must always be connected to the external power supply

<sup>(2)</sup>  $I_{INJ(PIN)}$  must never be exceeded. This is implicitly insured if  $V_{IN}$  maximum is respected. If  $V_{IN}$  maximum cannot be respected, the injection current must be limited externally to the  $I_{INJ(PIN)}$  value. A positive injection is induced by  $V_{IN} > V_{DD}$  while a negative injection is induced by  $V_{IN} < V_{SS}$ . For true open-drain pads, there is no positive injection current, and the corresponding  $V_{IN}$  maximum must always be respected

Table 16: Current characteristics

| Symbol    | Ratings   | Max <sup>(1)</sup> | Unit |
|-----------|---|--------------------|------|
| $I_{VDD}$ | Total current into $V_{DD}$ power lines (source) <sup>(2)</sup> | 100                | mA   |

| Symbol                               | Ratings   | Max <sup>(1)</sup> | Unit |
|--------------------------------------|---|--------------------|------|
| $I_{VSS}$                            | Total current out of $V_{SS}$ ground lines (sink) <sup>(2)</sup>        | 80                 |      |
| $I_{IO}$                             | Output current sunk by any I/O and control pin                          | 20                 |      |
|                                      | Output current source by any I/Os and control pin                       | - 20               |      |
| $I_{INJ(PIN)}$ <sup>(3) (4)</sup>    | Injected current on NRST pin  | $\pm 4$            |      |
|                                      | Injected current on OSCIN pin   | $\pm 4$            |      |
|                                      | Injected current on any other pin <sup>(5)</sup>                        | $\pm 4$            |      |
| $\Sigma I_{INJ(PIN)}$ <sup>(3)</sup> | Total injected current (sum of all I/O and control pins) <sup>(5)</sup> | $\pm 20$           |      |

<sup>(1)</sup> Data based on characterization results, not tested in production.

<sup>(2)</sup> All power ( $V_{DD}$ ) and ground ( $V_{SS}$ ) pins must always be connected to the external supply.

<sup>(3)</sup>  $I_{INJ(PIN)}$  must never be exceeded. This is implicitly insured if  $V_{IN}$  maximum is respected. If  $V_{IN}$  maximum cannot be respected, the injection current must be limited externally to the  $I_{INJ(PIN)}$  value. A positive injection is induced by  $V_{IN} > V_{DD}$  while a negative injection is induced by  $V_{IN} < V_{SS}$ . For true open-drain pads, there is no positive injection current, and the corresponding  $V_{IN}$  maximum must always be respected

<sup>(4)</sup> ADC accuracy vs. negative injection current: Injecting negative current on any of the analog input pins should be avoided as this significantly reduces the accuracy of the conversion being performed on another analog input. It is recommended to add a Schottky diode (pin to ground) to standard analog pins which may potentially inject negative current. Any positive injection current within the limits specified for  $I_{INJ(PIN)}$  and  $\Sigma I_{INJ(PIN)}$  in the I/O port pin characteristics section does not affect the ADC accuracy.

<sup>(5)</sup> When several inputs are submitted to a current injection, the maximum  $\Sigma I_{INJ(PIN)}$  is the absolute sum of the positive and negative injected currents (instantaneous values). These results are based on characterization with  $\Sigma I_{INJ(PIN)}$  maximum current injection on four I/O port pins of the device.

**Table 17: Thermal characteristics**

| Symbol    | Ratings                      | Value       | Unit |
|-----------|------------------------------|-------------|------|
| $T_{STG}$ | Storage temperature range    | -65 to +150 | °C   |
| $T_J$     | Maximum junction temperature | 150         |      |



### 9.3 Operating conditions

Table 18: General operating conditions

| Symbol                 | Parameter   | Conditions                | Min  | Max  | Unit               |
|------------------------|---|---------------------------|------|------|--------------------|
| $f_{\text{CPU}}$       | Internal CPU clock frequency  |                           | 0    | 16   | MHz                |
| $V_{\text{DD}}$        | Standard operating voltage  |                           | 2.95 | 5.5  | V                  |
| $V_{\text{CAP}}^{(1)}$ | $C_{\text{EXT}}$ : capacitance of external capacitor                          |                           | 470  | 3300 | nF                 |
|                        | ESR of external capacitor   | at 1 MHz <sup>(2)</sup>   | -    | 0.3  | $\Omega$           |
|                        | ESL of external capacitor   |                           | -    | 15   | nH                 |
| $P_{\text{D}}^{(3)}$   | Power dissipation at $T_{\text{A}} = 85\text{ }^{\circ}\text{C}$ for suffix 6 | TSSOP20                   | -    | 238  | mW                 |
|                        |   | UFQFPN20                  | -    | 220  |                    |
|                        |   | LQFP32                    | -    | 330  |                    |
| $T_{\text{A}}$         | Ambient temperature for 6 suffix version                                      | Maximum power dissipation | -40  | 85   | $^{\circ}\text{C}$ |
| $T_{\text{J}}$         | Junction temperature range for suffix 6                                       |                           | -40  | 105  |                    |

<sup>(1)</sup>Care should be taken when selecting the capacitor, due to its tolerance, as well as the parameter dependency on temperature, DC bias and frequency in addition to other factors. The parameter maximum value must be respected for the full application range.

<sup>(2)</sup>This frequency of 1 MHz as a condition for VCAP parameters is given by design of internal regulator.

<sup>(3)</sup>To calculate  $P_{\text{Dmax}}(T_{\text{A}})$ , use the formula  $P_{\text{Dmax}} = (T_{\text{Jmax}} - T_{\text{A}}) / \Theta_{\text{JA}}$  (see [Thermal characteristics](#)) with the value for  $T_{\text{Jmax}}$  given in the previous table and the value for  $\Theta_{\text{JA}}$  given in [Thermal characteristics](#).

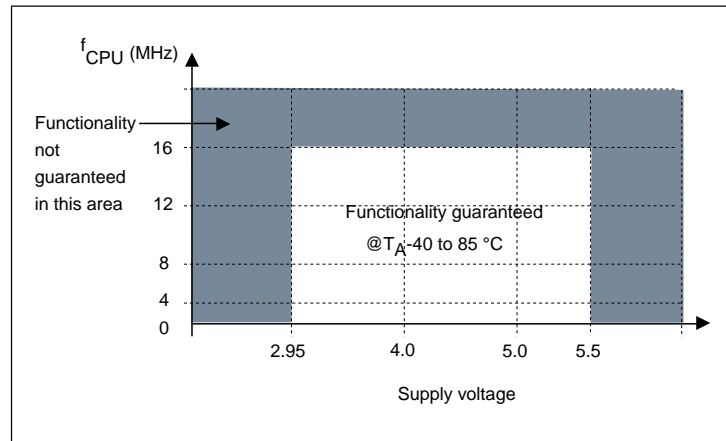
Figure 9:  $f_{\text{CPUmax}}$  versus  $V_{\text{DD}}$ 

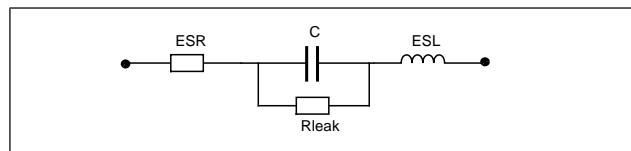
Table 19: Operating conditions at power-up/power-down

| Symbol                | Parameter                                     | Conditions             | Min | Typ  | Max      | Unit            |
|-----------------------|---|------------------------|-----|------|----------|-----------------|
| $t_{\text{VDD}}$      | $V_{\text{DD}}$ rise time rate                |                        | 2   |      | $\infty$ | $\mu\text{s/V}$ |
|                       | $V_{\text{DD}}$ fall time rate <sup>(1)</sup> |                        | 2   |      | $\infty$ |                 |
| $t_{\text{TEMP}}$     | Reset release delay                           | $V_{\text{DD}}$ rising |     |      | 1.7      | ms              |
| $V_{\text{IT+}}$      | Power-on reset threshold                      |                        | 2.6 | 2.7  | 2.85     | V               |
| $V_{\text{IT-}}$      | Brown-out reset threshold                     |                        | 2.5 | 2.65 | 2.8      |                 |
| $V_{\text{HYS(BOR)}}$ | Brown-out reset hysteresis                    |                        |     | 70   |          | mV              |

<sup>(1)</sup> Reset is always generated after a  $t_{\text{TEMP}}$  delay. The application must ensure that  $V_{\text{DD}}$  is still above the minimum operating voltage ( $V_{\text{DD min}}$ ) when the  $t_{\text{TEMP}}$  delay has elapsed.

### 9.3.1 VCAP external capacitor

Stabilization for the main regulator is achieved connecting an external capacitor  $C_{\text{EXT}}$  to the  $V_{\text{CAP}}$  pin.  $C_{\text{EXT}}$  is specified in the Operating conditions section. Care should be taken to limit the series inductance to less than 15 nH.

Figure 10: External capacitor  $C_{\text{EXT}}$ 

1. ESR is the equivalent series resistance and ESL is the equivalent inductance.

### 9.3.2 Supply current characteristics

The current consumption is measured as described in *Pin input voltage*.

#### 9.3.2.1 Total current consumption in run mode

The MCU is placed under the following conditions:

- All I/O pins in input mode with a static value at  $V_{DD}$  or  $V_{SS}$  (no load)
- All peripherals are disabled (clock stopped by peripheral clock gating registers) except if explicitly mentioned.

Subject to general operating conditions for  $V_{DD}$  and  $T_A$ .

**Table 20: Total current consumption with code execution in run mode at  $V_{DD} = 5\text{ V}$**

| Symbol        | Parameter  | Conditions                                     | Typ                                    | Max <sup>(1)</sup>           | Unit |    |      |
|---------------|--|--|--|------------------------------|------|----|------|
| $I_{DD(RUN)}$ | Supply current in run mode, code executed from RAM   | $f_{CPU} = f_{MASTER} = 16\text{ MHz}$         | HSE crystal osc. (16 MHz)              | 2.3                          |      | mA |      |
|               |  |  | HSE user ext. clock (16 MHz)           | 2                            | 2.35 |    |      |
|               |  |  | HSI RC osc. (16 MHz)                   | 1.7                          | 2    |    |      |
|               |  | $f_{CPU} = f_{MASTER}/128 = 125\text{ kHz}$    | HSE user ext. clock (16 MHz)           | 0.86                         |      |    |      |
|               |  |  | HSI RC osc. (16 MHz)                   | 0.7                          | 0.87 |    |      |
|               |  | $f_{CPU} = f_{MASTER}/128 = 15.625\text{ kHz}$ | HSI RC osc. (16 MHz/8)                 | 0.46                         | 0.58 |    |      |
|               | Supply current in run mode, code executed from Flash | $f_{CPU} = f_{MASTER} = 128\text{ kHz}$        | LSI RC osc. (128 kHz)                  | 0.41                         | 0.55 |    |      |
|               |  |  | $f_{CPU} = f_{MASTER} = 16\text{ MHz}$ | HSE crystal osc. (16 MHz)    | 4.5  |    |      |
|               |  |  |  | HSE user ext. clock (16 MHz) | 4.3  |    | 4.75 |
|               |  |  | HSI RC osc. (16 MHz)                   | 3.7                          | 4.5  |    |      |
| $I_{DD(RUN)}$ | Supply current in run mode, code executed from Flash | $f_{CPU} = f_{MASTER} = 2\text{ MHz}$          | HSI RC osc. (16 MHz/8) <sup>(2)</sup>  | 0.84                         | 1.05 | mA |      |
|               |  | $f_{CPU} = f_{MASTER}/128 = 125\text{ kHz}$    | HSI RC osc. (16 MHz)                   | 0.72                         | 0.9  |    |      |
|               |  | $f_{CPU} = f_{MASTER}/128 = 15.625\text{ kHz}$ | HSI RC osc. (16 MHz/8)                 | 0.46                         | 0.58 |    |      |
|               |  | $f_{CPU} = f_{MASTER} = 128\text{ kHz}$        | LSI RC osc. (128 kHz)                  | 0.42                         | 0.57 |    |      |

(1) Data based on characterization results, not tested in production.

(2) Default clock configuration measured with all peripherals off.

**Table 21: Total current consumption with code execution in run mode at  $V_{DD} = 3.3\text{ V}$**

| Symbol        | Parameter  | Conditions                                  | Typ  | Max <sup>(1)</sup>           | Unit |    |      |
|---------------|--|---|--|------------------------------|------|----|------|
| $I_{DD(RUN)}$ | Supply current in run mode, code executed from RAM   | $f_{CPU} = f_{MASTER} = 16\text{ MHz}$      | HSE crystal osc. (16 MHz)                      | 1.8                          |      | mA |      |
|               |  |   | HSE user ext. clock (16 MHz)                   | 2                            | 2.3  |    |      |
|               |  |   | HSI RC osc. (16 MHz)                           | 1.5                          | 2    |    |      |
|               |  | $f_{CPU} = f_{MASTER}/128 = 125\text{ kHz}$ | HSE user ext. clock (16 MHz)                   | 0.81                         |      |    |      |
|               |  |   | HSI RC osc. (16 MHz)                           | 0.7                          | 0.87 |    |      |
|               |  |   | $f_{CPU} = f_{MASTER}/128 = 15.625\text{ kHz}$ | HSI RC osc. (16 MHz/8)       | 0.46 |    | 0.58 |
|               | Supply current in run mode, code executed from Flash | $f_{CPU} = f_{MASTER} = 16\text{ MHz}$      | LSI RC osc. (128 kHz)                          | 0.41                         | 0.55 |    |      |
|               |  |   | $f_{CPU} = f_{MASTER} = 2\text{ MHz}$          | HSE crystal osc. (16 MHz)    | 4    |    |      |
|               |  |   |  | HSE user ext. clock (16 MHz) | 3.9  |    | 4.7  |
|               |  | HSI RC osc. (16 MHz)                        |  | 3.7                          | 4.5  |    |      |
|               |  | $f_{CPU} = f_{MASTER}/128 = 125\text{ kHz}$ | HSI RC osc. (16 MHz/8) <sup>(2)</sup>          | 0.84                         | 1.05 |    |      |
|               |  |   | HSI RC osc. (16 MHz)                           | 0.72                         | 0.9  |    |      |
|               |  |   | $f_{CPU} = f_{MASTER}/128 = 15.625\text{ kHz}$ | HSI RC osc. (16 MHz/8)       | 0.46 |    | 0.58 |
|               |  | LSI RC osc. (128 kHz)                       |  | 0.42                         | 0.57 |    |      |

(1) Data based on characterization results, not tested in production.

(2) Default clock configuration measured with all peripherals off.

## 9.3.2.2 Total current consumption in wait mode

Table 22: Total current consumption in wait mode at  $V_{DD} = 5\text{ V}$ 

| Symbol        | Parameter                   | Conditions                                     | Typ                                   | Max <sup>(1)</sup> | Unit |    |
|---------------|-----------------------------|--|---------------------------------------|--------------------|------|----|
| $I_{DD(WFI)}$ | Supply current in wait mode | $f_{CPU} = f_{MASTER} = 16\text{ MHz}$         | HSE crystal osc. (16 MHz)             | 1.6                |      | mA |
|               |                             |  | HSE user ext. clock (16 MHz)          | 1.1                | 1.3  |    |
|               |                             |  | HSI RC osc. (16 MHz)                  | 0.89               | 1.1  |    |
|               |                             | $f_{CPU} = f_{MASTER}/128 = 125\text{ kHz}$    | HSI RC osc. (16 MHz)                  | 0.7                | 0.88 |    |
|               |                             | $f_{CPU} = f_{MASTER}/128 = 15.625\text{ kHz}$ | HSI RC osc. (16 MHz/8) <sup>(2)</sup> | 0.45               | 0.57 |    |
|               |                             | $f_{CPU} = f_{MASTER} = 128\text{ kHz}$        | LSI RC osc. (128 kHz)                 | 0.4                | 0.54 |    |

<sup>(1)</sup> Data based on characterization results, not tested in production.

<sup>(2)</sup> Default clock configuration measured with all peripherals off.

Table 23: Total current consumption in wait mode at  $V_{DD} = 3.3\text{ V}$ 

| Symbol        | Parameter                   | Conditions                                     | Typ                                   | Max <sup>(1)</sup> | Unit |    |
|---------------|-----------------------------|--|---------------------------------------|--------------------|------|----|
| $I_{DD(WFI)}$ | Supply current in wait mode | $f_{CPU} = f_{MASTER} = 16\text{ MHz}$         | HSE crystal osc. (16 MHz)             | 1.1                |      | mA |
|               |                             |  | HSE user ext. clock (16 MHz)          | 1.1                | 1.3  |    |
|               |                             |  | HSI RC osc. (16 MHz)                  | 0.89               | 1.1  |    |
|               |                             | $f_{CPU} = f_{MASTER}/128 = 125\text{ kHz}$    | HSI RC osc. (16 MHz)                  | 0.7                | 0.88 |    |
|               |                             | $f_{CPU} = f_{MASTER}/128 = 15.625\text{ kHz}$ | HSI RC osc. (16 MHz/8) <sup>(2)</sup> | 0.45               | 0.57 |    |
|               |                             | $f_{CPU} = f_{MASTER} = 128\text{ kHz}$        | LSI RC osc. (128 kHz)                 | 0.4                | 0.54 |    |

(1) Data based on characterization results, not tested in production.

(2) Default clock configuration measured with all peripherals off.

### 9.3.2.3 Total current consumption in active halt mode

Table 24: Total current consumption in active halt mode at  $V_{DD} = 5\text{ V}$

| Symbol       | Parameter                          | Conditions                                  |                           |                           | Typ  | Max at 85 °C <sup>(1)</sup> | Unit |
|--------------|------------------------------------|---|---------------------------|---------------------------|------|-----------------------------|------|
|              |                                    | Main voltage regulator (MVR) <sup>(2)</sup> | Flash mode <sup>(3)</sup> | Clock source              |      |                             |      |
| $I_{DD(AH)}$ | Supply current in active halt mode | On  | Operating mode            | HSE crystal osc. (16 MHz) | 1030 |                             | μA   |
| $I_{DD(AH)}$ | Supply current in active halt mode | On  | Operating mode            | LSI RC osc. (128 kHz)     | 200  | 260                         |      |
| $I_{DD(AH)}$ | Supply current in active halt mode | On  | Power-down mode           | HSE crystal osc. (16 MHz) | 970  |                             |      |
| $I_{DD(AH)}$ | Supply current in active halt mode | On  | Power-down mode           | LSI RC osc. (128 kHz)     | 150  | 200                         |      |
| $I_{DD(AH)}$ | Supply current in active halt mode | Off   | Operating mode            | LSI RC osc. (128 kHz)     | 66   | 85                          |      |
| $I_{DD(AH)}$ | Supply current in active halt mode |   | Power-down mode           | LSI RC osc. (128 kHz)     | 10   | 20                          |      |

(1) Data based on characterization results, not tested in production

(2) Configured by the REGAH bit in the CLK\_I CKR register.

(3) Configured by the AHALT bit in the FLASH\_CR1 register.

Table 25: Total current consumption in active halt mode at  $V_{DD} = 3.3\text{ V}$

| Symbol       | Parameter                          | Conditions                                  |                           |                           | Typ | Max at 85 °C <sup>(1)</sup> | Unit |
|--------------|------------------------------------|---|---------------------------|---------------------------|-----|-----------------------------|------|
|              |                                    | Main voltage regulator (MVR) <sup>(2)</sup> | Flash mode <sup>(3)</sup> | Clock source              |     |                             |      |
| $I_{DD(AH)}$ | Supply current in active halt mode | On  | Operating mode            | HSE crystal osc. (16 MHz) | 550 |                             | μA   |

| Symbol              | Parameter                          | Conditions                                  |                                    |                           | Typ            | Max at 85 °C <sup>(1)</sup> | Unit |
|---------------------|------------------------------------|---|------------------------------------|---------------------------|----------------|-----------------------------|------|
|                     |                                    | Main voltage regulator (MVR) <sup>(2)</sup> | Flash mode <sup>(3)</sup>          | Clock source              |                |                             |      |
| I <sub>DD(AH)</sub> | Supply current in active halt mode | On  | Operating mode                     | LSI RC osc. (128 kHz)     | 200            | 260                         | μA   |
| I <sub>DD(AH)</sub> |                                    |   |                                    | HSE crystal osc. (16 MHz) | 970            |                             |      |
| I <sub>DD(AH)</sub> | Power-down mode                    |   | LSI RC osc. (128 kHz)              | 150                       | 200            |                             |      |
| I <sub>DD(AH)</sub> |                                    |   | Supply current in active halt mode | Off                       | Operating mode | LSI RC osc. (128 kHz)       |      |
| I <sub>DD(AH)</sub> | Power-down mode                    |   |                                    |                           | 10             | 18                          |      |

<sup>(1)</sup> Data based on characterization results, not tested in production

<sup>(2)</sup> Configured by the REGAH bit in the CLK\_ICKR register.

<sup>(3)</sup> Configured by the AHALT bit in the FLASH\_CR1 register.

### 9.3.2.4 Total current consumption in halt mode

Table 26: Total current consumption in halt mode at V<sub>DD</sub> = 5 V

| Symbol             | Parameter                   | Conditions                                       | Typ | Max at 85 °C <sup>(1)</sup> | Unit |
|--------------------|-----------------------------|--|-----|-----------------------------|------|
| I <sub>DD(H)</sub> | Supply current in halt mode | Flash in operating mode, HSI clock after wakeup  | 63  | 75                          | μA   |
|                    |                             | Flash in power-down mode, HSI clock after wakeup | 6.0 | 20                          |      |

<sup>(1)</sup> Data based on characterization results, not tested in production

Table 27: Total current consumption in halt mode at V<sub>DD</sub> = 3.3 V

| Symbol             | Parameter                   | Conditions                                      | Typ | Max at 85 °C <sup>(1)</sup> | Unit |
|--------------------|-----------------------------|---|-----|-----------------------------|------|
| I <sub>DD(H)</sub> | Supply current in halt mode | Flash in operating mode, HSI clock after wakeup | 60  | 75                          | μA   |

| Symbol | Parameter | Conditions                                       | Typ | Max at 85 °C <sup>(1)</sup> | Unit |
|--------|-----------|--|-----|-----------------------------|------|
|        |           | Flash in power-down mode, HSI clock after wakeup | 4.5 | 17                          |      |

<sup>(1)</sup> Data based on characterization results, not tested in production

### 9.3.2.5 Low power mode wakeup times

Table 28: Wakeup times

| Symbol        | Parameter   | Conditions                               |   |                    | Typ               | Max <sup>(1)</sup>      | Unit    |
|---------------|---|--|---|--------------------|-------------------|-------------------------|---------|
| $t_{WU(WFI)}$ | Wakeup time from wait mode to run mode <sup>(3)</sup>   | 0 to 16 MHz                              |   |                    |                   | See note <sup>(2)</sup> |         |
|               |   | $f_{CPU} = f_{MASTER} = 16$ MHz          |   |                    | 0.56              |                         |         |
| $t_{WU(AH)}$  | Wakeup time active halt mode to run mode <sup>(3)</sup> | MVR voltage regulator on <sup>(4)</sup>  | Flash in operating mode <sup>(5)</sup>  | HSI (after wakeup) | 1 <sup>(6)</sup>  | 2 <sup>(6)</sup>        | $\mu$ s |
|               | Wakeup time active halt mode to run mode <sup>(3)</sup> | MVR voltage regulator on <sup>(4)</sup>  | Flash in power-down mode <sup>(5)</sup> | HSI (after wakeup) | 3 <sup>(6)</sup>  |                         |         |
|               | Wakeup time active halt mode to run mode <sup>(3)</sup> | MVR voltage regulator off <sup>(4)</sup> | Flash in operating mode <sup>(5)</sup>  | HSI (after wakeup) | 48 <sup>(6)</sup> |                         |         |
|               | Wakeup time active halt mode to run mode <sup>(3)</sup> | MVR voltage regulator off <sup>(4)</sup> | Flash in power-down mode <sup>(5)</sup> | HSI (after wakeup) | 50 <sup>(6)</sup> |                         |         |
| $t_{WU(H)}$   | Wakeup time from halt mode to run mode <sup>(3)</sup>   | Flash in operating mode <sup>(5)</sup>   |   |                    | 52                |                         |         |
|               |   | Flash in power-down mode <sup>(5)</sup>  |   |                    | 54                |                         |         |

<sup>(1)</sup> Data guaranteed by design, not tested in production.

<sup>(2)</sup>  $t_{WU(WFI)} = 2 \times 1/f_{master} + x \times 1/f_{CPU}$ .



- (3) Measured from interrupt event to interrupt vector fetch.  
 (4) Configured by the REGAH bit in the CLK\_IICKR register.  
 (5) Configured by the AHALT bit in the FLASH\_CR1 register.  
 (6) Plus 1 LSI clock depending on synchronization.

### 9.3.2.6 Total current consumption and timing in forced reset state

Table 29: Total current consumption and timing in forced reset state

| Symbol               | Parameter                                    | Conditions              | Typ | Max <sup>(1)</sup> | Unit |
|----------------------|--|-------------------------|-----|--------------------|------|
| I <sub>DD(R)</sub>   | Supply current in reset state <sup>(2)</sup> | V <sub>DD</sub> = 5 V   | 400 |                    | μA   |
|                      |  | V <sub>DD</sub> = 3.3 V | 300 |                    |      |
| t <sub>RESETBL</sub> | Reset pin release to vector fetch            |                         |     | 150                | μs   |

(1) Data guaranteed by design, not tested in production.

(2) Characterized with all I/Os tied to V<sub>SS</sub>.

### 9.3.2.7 Current consumption of on-chip peripherals

Subject to general operating conditions for V<sub>DD</sub> and T<sub>A</sub>.

HSI internal RC/f<sub>CPU</sub> = f<sub>MASTER</sub> = 16 MHz, V<sub>DD</sub> = 5 V

Table 30: Peripheral current consumption

| Symbol                          | Parameter  | Typ. | Unit |
|---------------------------------|--|------|------|
| I <sub>DD(TIM1)</sub>           | TIM1 supply current <sup>(1)</sup>                 | 210  | μA   |
| I <sub>DD(TIM2)</sub>           | TIM2 supply current <sup>(1)</sup>                 | 130  |      |
| I <sub>DD(TIM4)</sub>           | TIM4 timer supply current <sup>(1)</sup>           | 50   |      |
| I <sub>DD(UART1)</sub>          | UART1 supply current <sup>(2)</sup>                | 120  |      |
| I <sub>DD(SPI)</sub>            | SPI supply current <sup>(2)</sup>                  | 45   |      |
| I <sub>DD(I<sup>2</sup>C)</sub> | I <sup>2</sup> C supply current <sup>(2)</sup>     | 65   |      |
| I <sub>DD(ADC1)</sub>           | ADC1 supply current when converting <sup>(3)</sup> | 1000 |      |

- (1) Data based on a differential  $I_{DD}$  measurement between reset configuration and timer counter running at 16 MHz. No IC/OC programmed (no I/O pads toggling). Not tested in production.
- (2) Data based on a differential  $I_{DD}$  measurement between the on-chip peripheral when kept under reset and not clocked and the on-chip peripheral when clocked and not kept under reset. No I/O pads toggling. Not tested in production.
- (3) Data based on a differential  $I_{DD}$  measurement between reset configuration and continuous A/D conversions. Not tested in production.

### 9.3.2.8 Current consumption curves

The following figures show typical current consumption measured with code executing in RAM.

Figure 11: Typ  $I_{DD(RUN)}$  vs.  $V_{DD}$  HSE user external clock,  $f_{CPU} = 16$  MHz

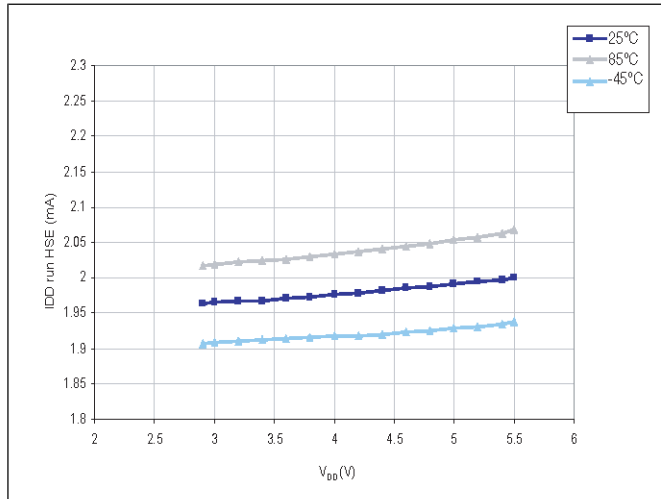


Figure 12: Typ  $I_{DD(RUN)}$  vs.  $f_{CPU}$  HSE user external clock,  $V_{DD} = 5$  V

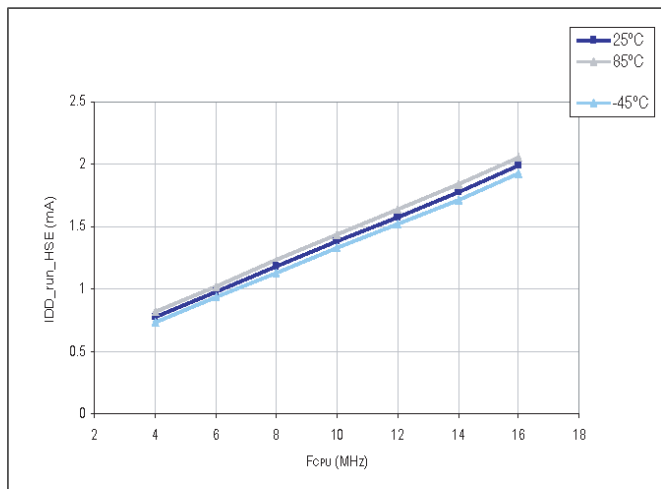


Figure 13: Typ  $I_{DD(RUN)}$  vs.  $V_{DD}$  HSI RC osc,  $f_{CPU} = 16$  MHz

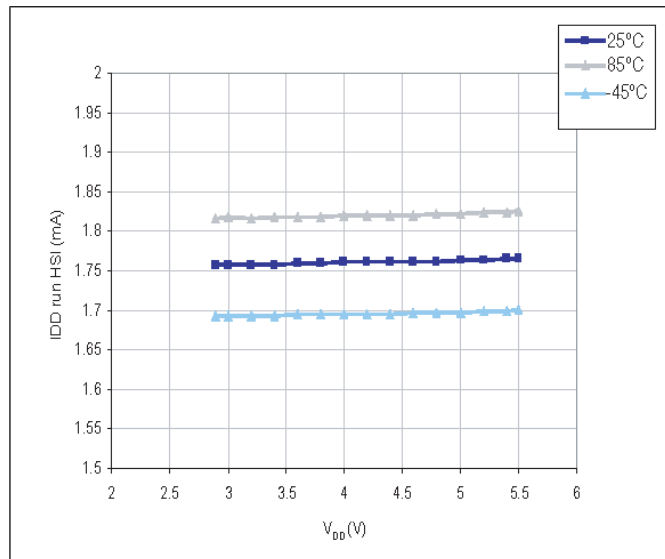


Figure 14: Typ  $I_{DD(WFI)}$  vs.  $V_{DD}$  HSE user external clock,  $f_{CPU} = 16$  MHz

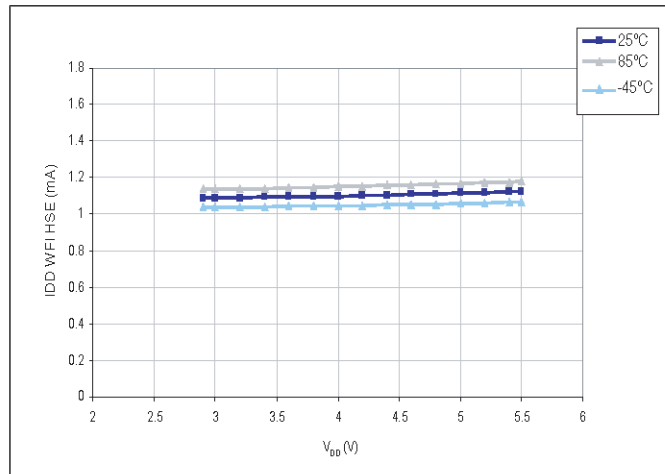


Figure 15: Typ  $I_{DD(WFI)}$  vs.  $f_{CPU}$  HSE user external clock,  $V_{DD} = 5\text{ V}$

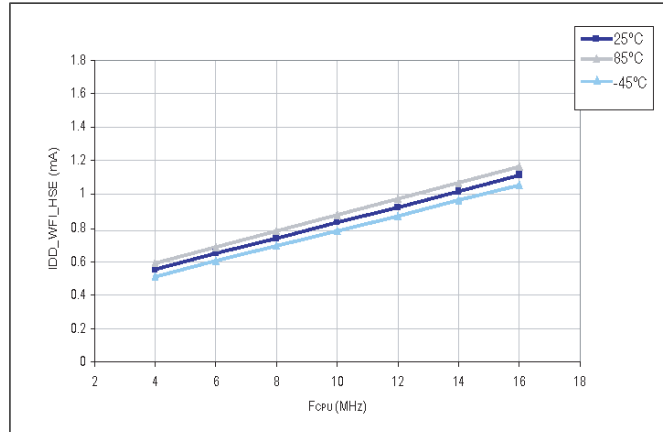
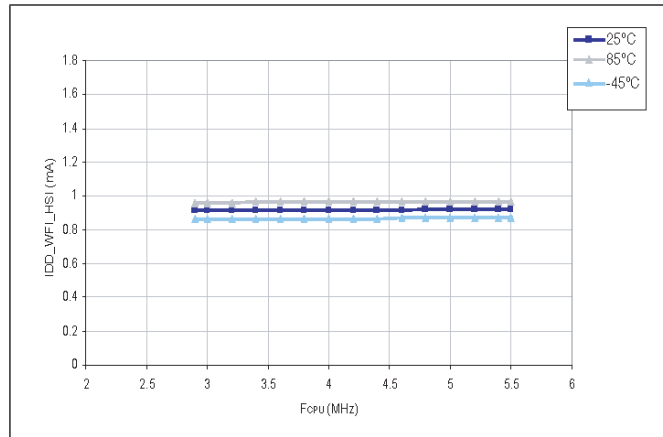


Figure 16: Typ  $I_{DD(WFI)}$  vs.  $V_{DD}$  HSI RC osc,  $f_{CPU} = 16\text{ MHz}$



### 9.3.3 External clock sources and timing characteristics

#### HSE user external clock

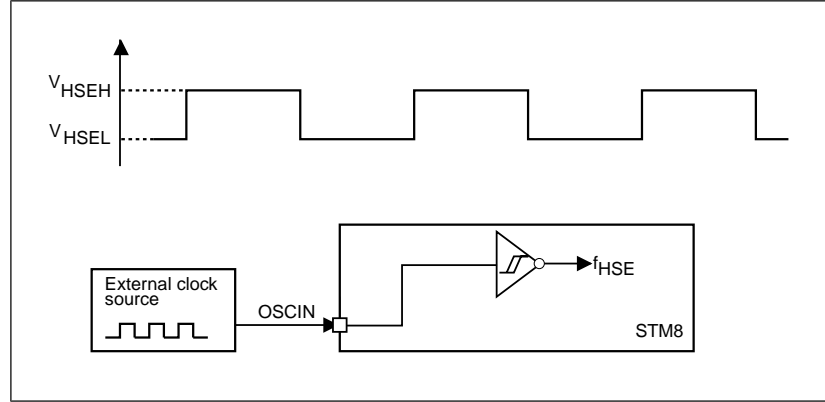
Subject to general operating conditions for  $V_{DD}$  and  $T_A$ .

Table 31: HSE user external clock characteristics

| Symbol           | Parameter                            | Conditions                 | Min                 | Max                     | Unit          |
|------------------|--------------------------------------|----------------------------|---------------------|-------------------------|---------------|
| $f_{HSE\_ext}$   | User external clock source frequency |                            | 0                   | 16                      | MHz           |
| $V_{HSEH}^{(1)}$ | OSCIN input pin high level voltage   |                            | $0.7 \times V_{DD}$ | $V_{DD} + 0.3\text{ V}$ | V             |
| $V_{HSEL}^{(1)}$ | OSCIN input pin low level voltage    |                            | $V_{SS}$            | $0.3 \times V_{DD}$     |               |
| $I_{LEAK\_HSE}$  | OSCIN input leakage current          | $V_{SS} < V_{IN} < V_{DD}$ | -1                  | +1                      | $\mu\text{A}$ |

(1) Data based on characterization results, not tested in production.

Figure 17: HSE external clock source



**HSE crystal/ceramic resonator oscillator**

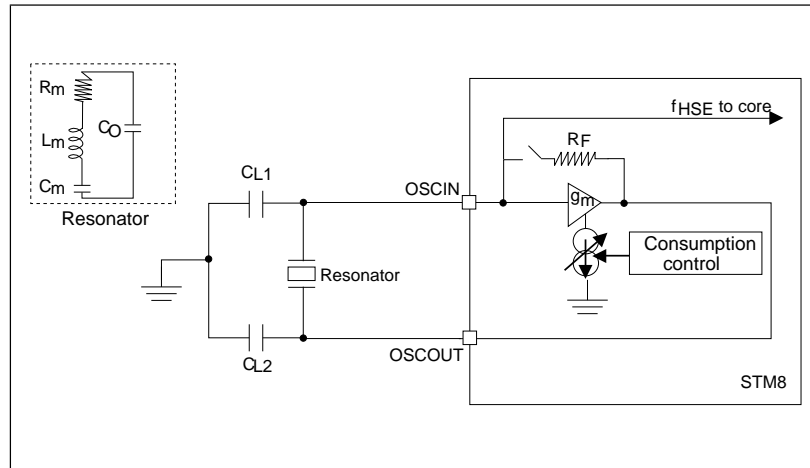
The HSE clock can be supplied with a 1 to 16 MHz crystal/ceramic resonator oscillator. All the information given in this paragraph is based on characterization results with specified typical external components. In the application, the resonator and the load capacitors have to be placed as close as possible to the oscillator pins in order to minimize output distortion and start-up stabilization time. Refer to the crystal resonator manufacturer for more details (frequency, package, accuracy...).

Table 32: HSE oscillator characteristics

| Symbol              | Parameter                                   | Conditions                         | Min | Typ | Max  | Unit       |
|---------------------|---|------------------------------------|-----|-----|--|------------|
| $f_{HSE}$           | External high speed oscillator frequency    |                                    | 1   |     | 16   | MHz        |
| $R_F$               | Feedback resistor                           |                                    |     | 220 |  | k $\Omega$ |
| $C^{(1)}$           | Recommended load capacitance <sup>(2)</sup> |                                    |     |     | 20   | pF         |
| $I_{DD(HSE)}$       | HSE oscillator power consumption            | $C = 20$ pF,<br>$f_{OSC} = 16$ MHz |     |     | 6 (startup)<br>1.6 (stabilized) <sup>(3)</sup> | mA         |
|                     |   | $C = 10$ pF,<br>$f_{OSC} = 16$ MHz |     |     | 6 (startup)<br>1.2 (stabilized) <sup>(3)</sup> |            |
| $g_m$               | Oscillator transconductance                 |                                    | 5   |     |  | mA/V       |
| $t_{SU(HSE)}^{(4)}$ | Startup time                                | $V_{DD}$ is stabilized             |     | 1   |  | ms         |

- (1) C is approximately equivalent to 2 x crystal Load.
- (2) The oscillator selection can be optimized in terms of supply current using a high quality resonator with small  $R_m$  value. Refer to crystal manufacturer for more details
- (3) Data based on characterization results, not tested in production.
- (4)  $t_{SU(HSE)}$  is the start-up time measured from the moment it is enabled (by software) to a stabilized 16 MHz oscillation is reached. This value is measured for a standard crystal resonator and it can vary significantly with the crystal manufacturer.

Figure 18: HSE oscillator circuit diagram



**HSE oscillator critical  $g_m$  equation**

$$g_{m_{crit}} = (2 \times \pi \times f_{HSE})^2 \times R_m (2C_o + C)^2$$

$R_m$ : Notional resistance (see crystal specification)

$L_m$ : Notional inductance (see crystal specification)

$C_m$ : Notional capacitance (see crystal specification)

$C_o$ : Shunt capacitance (see crystal specification)

$C_{L1} = C_{L2} = C$ : Grounded external capacitance

$g_m \gg g_{m_{crit}}$

**9.3.4 Internal clock sources and timing characteristics**

Subject to general operating conditions for  $V_{DD}$  and  $T_A$ .

**High speed internal RC oscillator (HSI)**

Table 33: HSI oscillator characteristics

| Symbol    | Parameter | Conditions | Min | Typ | Max | Unit |
|-----------|-----------|------------|-----|-----|-----|------|
| $f_{HSI}$ | Frequency |            |     | 16  |     | MHz  |

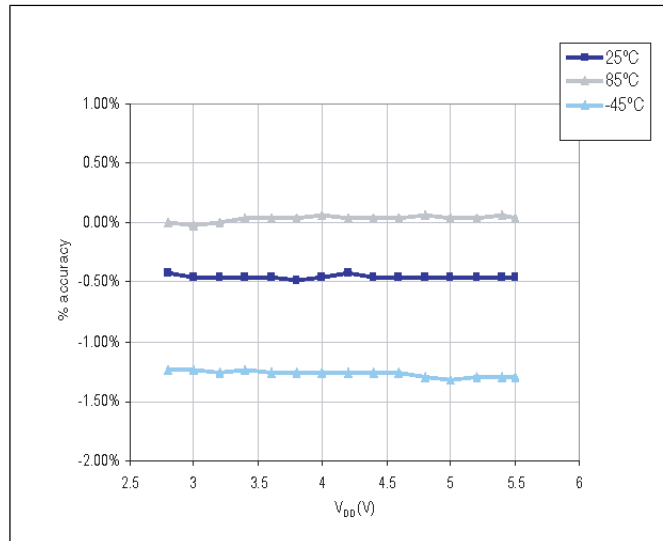
| Symbol               | Parameter  | Conditions  | Min | Typ | Max                | Unit |
|----------------------|--|---|-----|-----|--------------------|------|
| ACC <sub>HSI</sub>   | Accuracy of HSI oscillator                       | User-trimmed with CLK_HSI TRIMR register for given V <sub>DD</sub> and T <sub>A</sub> conditions <sup>(1)</sup> |     |     | 1.0 <sup>(3)</sup> | %    |
|                      | Accuracy of HSI oscillator (factory calibrated)  | V <sub>DD</sub> = 5 V, -40 °C ≤ T <sub>A</sub> ≤ 85 °C  | -5  |     | 5                  |      |
| t <sub>su(HSI)</sub> | HSI oscillator wakeup time including calibration |   |     |     | 1.0 <sup>(3)</sup> | μs   |
| I <sub>DD(HSI)</sub> | HSI oscillator power consumption                 |   |     | 170 | 250 <sup>(2)</sup> | μA   |

(1) Refer to application note.

(2) Data based on characterization results, not tested in production.

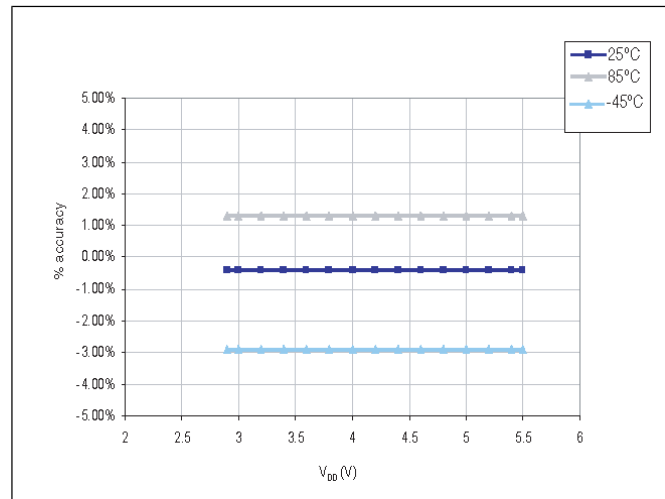
(3) Guaranteed by design, not tested in production.

Figure 19: Typical HSI frequency variation vs V<sub>DD</sub> @ 4 temperatures



**Low speed internal RC oscillator (LSI)**Subject to general operating conditions for  $V_{DD}$  and  $T_A$ .**Table 34: LSI oscillator characteristics**

| Symbol        | Parameter                        | Typ | Max | Unit    |
|---------------|----------------------------------|-----|-----|---------|
| $f_{LSI}$     | Frequency                        | 128 |     | kHz     |
| $t_{su(LSI)}$ | LSI oscillator wake-up time      |     | 7   | $\mu$ s |
| $I_{DD(LSI)}$ | LSI oscillator power consumption | 5   |     | $\mu$ A |

**Figure 20: Typical LSI frequency variation vs  $V_{DD}$  @ 4 temperatures****9.3.5 Memory characteristics****RAM and hardware registers****Table 35: RAM and hardware registers**

| Symbol   | Parameter                  | Conditions           | Min                 | Unit |
|----------|----------------------------|----------------------|---------------------|------|
| $V_{RM}$ | Data retention mode<br>(1) | Halt mode (or reset) | $V_{IT-max}$<br>(2) | V    |

(1) Minimum supply voltage without losing data stored in RAM (in halt mode or under reset) or in hardware registers (only in halt mode). Guaranteed by design, not tested in production.

(2) Refer to the Operating conditions section for the value of  $V_{IT-max}$



## Flash program memory and data EEPROM

Table 36: Flash program memory and data EEPROM

| Symbol             | Parameter   | Conditions                | Min<br>(1) | Typ | Max  | Unit   |
|--------------------|---|---------------------------|------------|-----|------|--------|
| V <sub>DD</sub>    | Operating voltage (all modes, execution/write/erase)                                      | f <sub>CPU</sub> ≤ 16 MHz | 2.95       |     | 5.5  | V      |
| t <sub>prog</sub>  | Standard programming time (including erase) for byte/word/block (1 byte/4 bytes/64 bytes) |                           |            | 6   | 6.6  | ms     |
|                    | Fast programming time for 1 block (64 bytes)  |                           |            | 3   | 3.33 |        |
| t <sub>erase</sub> | Erase time for 1 block (64 bytes)   |                           |            | 3   | 3.33 |        |
| N <sub>RW</sub>    | Erase/write cycles <sup>(2)</sup> (program memory)  | T <sub>A</sub> = 85 °C    | 100        |     |      | cycles |
|                    | Erase/write cycles <sup>(2)</sup> (data memory)   |                           | 100 k      |     |      |        |
| t <sub>RET</sub>   | Data retention (program memory) after 100 erase/write cycles at T <sub>A</sub> = 85 °C    | T <sub>RET</sub> = 55°C   | 20         |     |      | years  |
|                    | Data retention (data memory) after 10 k erase/write cycles at T <sub>A</sub> = 85 °C      |                           | 20         |     |      |        |
|                    | Data retention (data memory) after 100 k erase/write cycles at T <sub>A</sub> = 85 °C     | T <sub>RET</sub> = 85°C   | 1          |     |      |        |
| I <sub>DD</sub>    | Supply current (Flash programming or erasing for 1 to 128 bytes)                          |                           |            | 2   |      | mA     |

(1) Data based on characterization results, not tested in production.

(2) The physical granularity of the memory is 4 bytes, so cycling is performed on 4 bytes even when a write/erase operation addresses a single byte.

### 9.3.6 I/O port pin characteristics

#### General characteristics

Subject to general operating conditions for  $V_{DD}$  and  $T_A$  unless otherwise specified. All unused pins must be kept at a fixed voltage: using the output mode of the I/O for example or an external pull-up or pull-down resistor.

Table 37: I/O static characteristics

| Symbol               | Parameter                           | Conditions                                  | Min                 | Typ | Max                      | Unit          |
|----------------------|-------------------------------------|---|---------------------|-----|--------------------------|---------------|
| $V_{IL}$             | Input low level voltage             | $V_{DD} = 5\text{ V}$                       | -0.3 V              |     | $0.3 \times V_{DD}$      | V             |
| $V_{IH}$             | Input high level voltage            |   | $0.7 \times V_{DD}$ |     | $V_{DD} + 0.3$           |               |
| $V_{hys}$            | Hysteresis <sup>(1)</sup>           |   |                     | 700 |                          | mV            |
| $R_{pu}$             | Pull-up resistor                    | $V_{DD} = 5\text{ V}, V_{IN} = V_{SS}$      | 30                  | 55  | 80                       | k $\Omega$    |
| $t_R, t_F$           | Rise and fall time<br>(10 % - 90 %) | Fast I/Os<br>Load = 50 pF                   |                     |     | 20 <sup>(2)</sup>        | ns            |
|                      |                                     | Standard and high sink I/Os<br>Load = 50 pF |                     |     | 125 <sup>(2)</sup>       |               |
| $I_{lkg}$            | Digital input leakage current       | $V_{SS} \leq V_{IN} \leq V_{DD}$            |                     |     | $\pm 1$ <sup>(2)</sup>   | $\mu\text{A}$ |
| $I_{lkg\text{ ana}}$ | Analog input leakage current        | $V_{SS} \leq V_{IN} \leq V_{DD}$            |                     |     | $\pm 250$ <sup>(2)</sup> | nA            |
| $I_{lkg(inj)}$       | Leakage current in adjacent I/O     | Injection current $\pm 4\text{ mA}$         |                     |     | $\pm 1$ <sup>(2)</sup>   | $\mu\text{A}$ |

(1) Hysteresis voltage between Schmitt trigger switching levels. Based on characterization results, not tested in production.

(2) Data based on characterisation results, not tested in production.

Figure 21: Typical  $V_{IL}$  and  $V_{IH}$  vs  $V_{DD}$  @ 4 temperatures

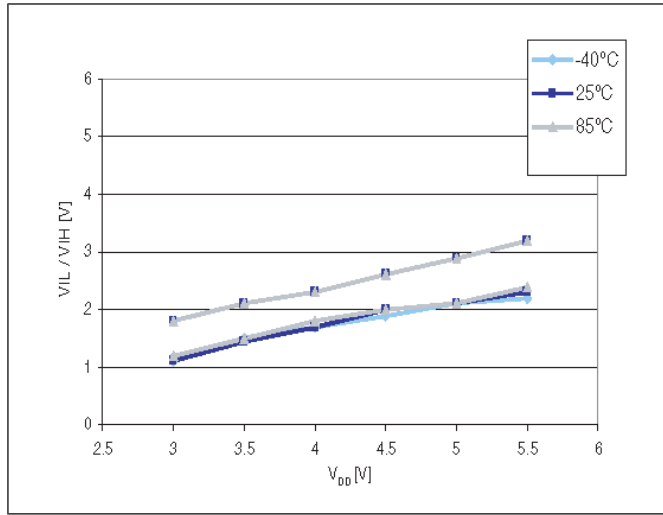


Figure 22: Typical pull-up resistance vs  $V_{DD}$  @ 4 temperatures

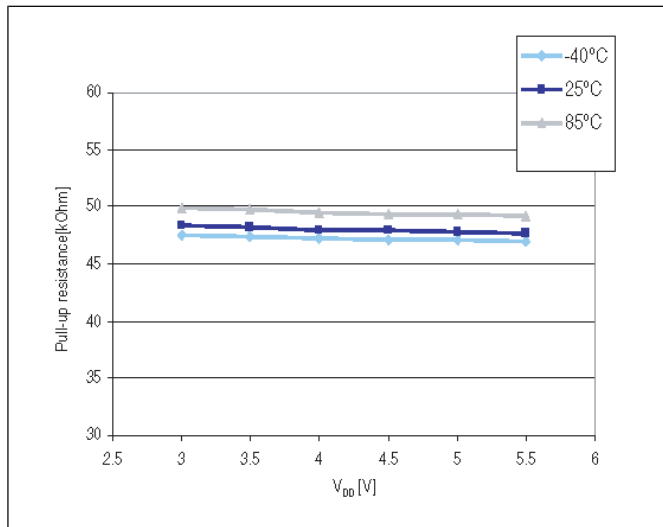


Figure 23: Typical pull-up current vs  $V_{DD}$  @ 4 temperatures

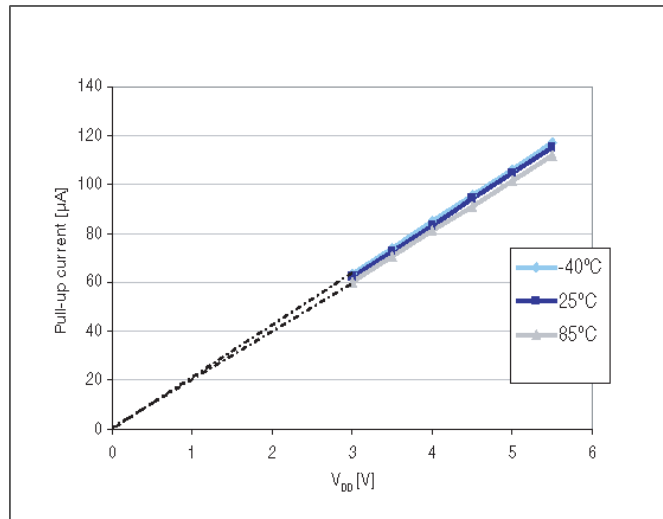


Table 38: Output driving current (standard ports)

| Symbol   | Parameter                             | Conditions  | Min                | Max                | Unit |
|----------|---------------------------------------|---|--------------------|--------------------|------|
| $V_{OL}$ | Output low level with 8 pins sunk     | $I_{IO} = 10 \text{ mA}$ ,<br>$V_{DD} = 5 \text{ V}$  |                    | 2.0                | V    |
|          | Output low level with 4 pins sunk     | $I_{IO} = 4 \text{ mA}$ ,<br>$V_{DD} = 3.3 \text{ V}$ |                    | 1.0 <sup>(1)</sup> |      |
| $V_{OH}$ | Output high level with 8 pins sourced | $I_{IO} = 10 \text{ mA}$ ,<br>$V_{DD} = 5 \text{ V}$  | 2.8                |                    |      |
|          | Output high level with 4 pins sourced | $I_{IO} = 4 \text{ mA}$ ,<br>$V_{DD} = 3.3 \text{ V}$ | 2.1 <sup>(1)</sup> |                    |      |

<sup>(1)</sup> Data based on characterization results, not tested in production

Table 39: Output driving current (true open drain ports)

| Symbol   | Parameter                         | Conditions  | Max                | Unit |
|----------|-----------------------------------|---|--------------------|------|
| $V_{OL}$ | Output low level with 2 pins sunk | $I_{IO} = 10 \text{ mA}$ , $V_{DD} = 5 \text{ V}$   | 1.0                | V    |
| $V_{OL}$ | Output low level with 2 pins sunk | $I_{IO} = 10 \text{ mA}$ , $V_{DD} = 3.3 \text{ V}$ | 1.5 <sup>(1)</sup> |      |

| Symbol   | Parameter                         | Conditions                             | Max                | Unit |
|----------|-----------------------------------|--|--------------------|------|
| $V_{OL}$ | Output low level with 2 pins sunk | $I_{IO} = 20$<br>mA, $V_{DD} =$<br>5 V | 2.0 <sup>(1)</sup> |      |

<sup>(1)</sup> Data based on characterization results, not tested in production

**Table 40: Output driving current (high sink ports)**

| Symbol   | Parameter                             | Conditions                            | Min                | Max                | Unit |
|----------|---------------------------------------|---------------------------------------|--------------------|--------------------|------|
| $V_{OL}$ | Output low level with 8 pins sunk     | $I_{IO} = 10$ mA,<br>$V_{DD} = 5$ V   |                    | 0.8                | V    |
| $V_{OL}$ | Output low level with 4 pins sunk     | $I_{IO} = 10$ mA,<br>$V_{DD} = 3.3$ V |                    | 1.0 <sup>(1)</sup> | V    |
|          | Output low level with 4 pins sunk     | $I_{IO} = 20$ mA,<br>$V_{DD} = 5$ V   |                    | 1.5 <sup>(1)</sup> |      |
| $V_{OH}$ | Output high level with 8 pins sourced | $I_{IO} = 10$ mA,<br>$V_{DD} = 5$ V   | 4.0                |                    |      |
|          | Output high level with 4 pins sourced | $I_{IO} = 10$ mA,<br>$V_{DD} = 3.3$ V | 2.1 <sup>(1)</sup> |                    |      |
|          | Output high level with 4 pins sourced | $I_{IO} = 20$ mA,<br>$V_{DD} = 5$ V   | 3.3 <sup>(1)</sup> |                    |      |

<sup>(1)</sup> Data based on characterization results, not tested in production

Figure 24: Typ.  $V_{OL}$  @  $V_{DD} = 5\text{ V}$  (standard ports)

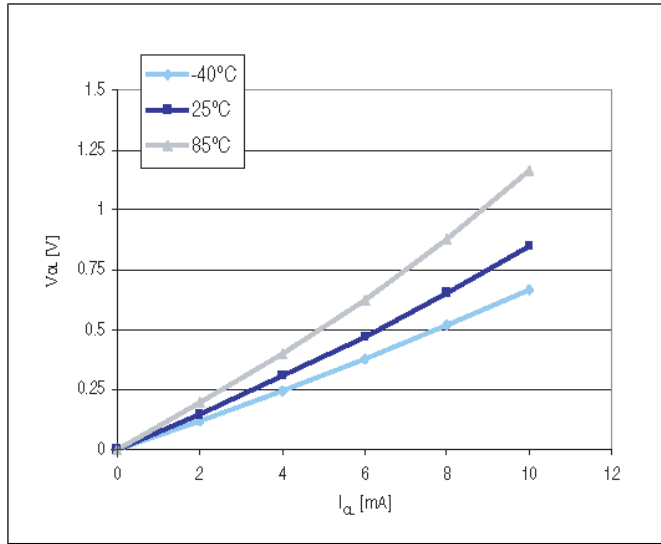


Figure 25: Typ.  $V_{OL}$  @  $V_{DD} = 3.3\text{ V}$  (standard ports)

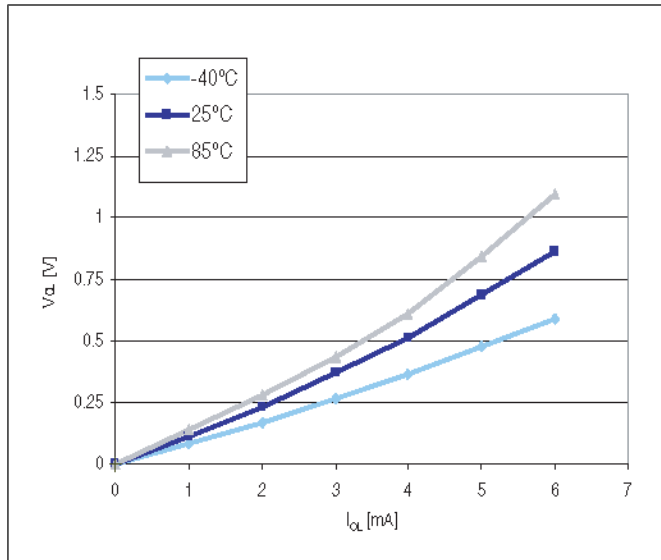


Figure 26: Typ.  $V_{OL}$  @  $V_{DD} = 5\text{ V}$  (true open drain ports)

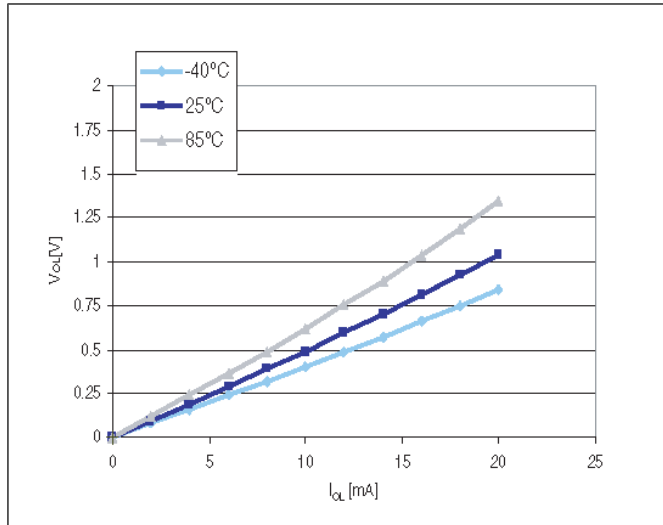


Figure 27: Typ.  $V_{OL}$  @  $V_{DD} = 3.3\text{ V}$  (true open drain ports)

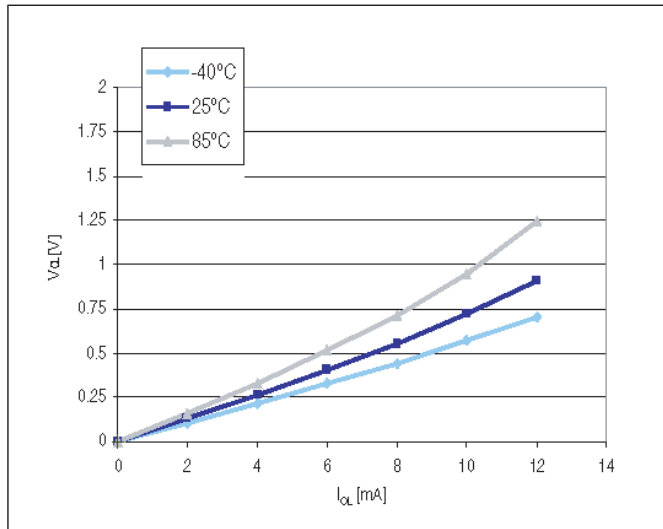


Figure 28: Typ.  $V_{OL}$  @  $V_{DD} = 5\text{ V}$  (high sink ports)

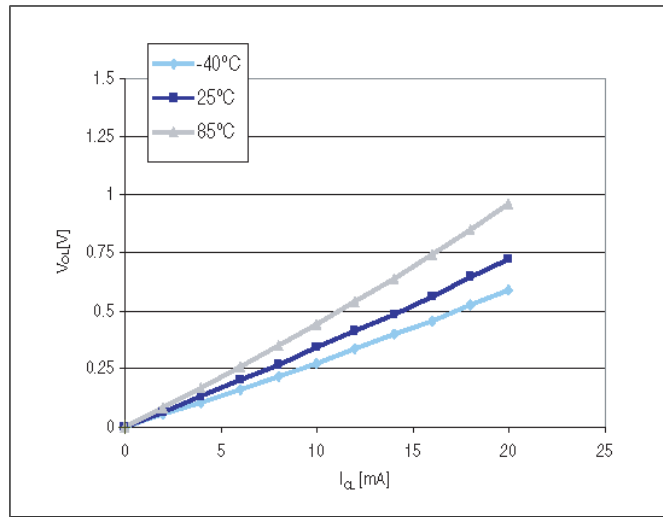


Figure 29: Typ.  $V_{OL}$  @  $V_{DD} = 3.3\text{ V}$  (high sink ports)

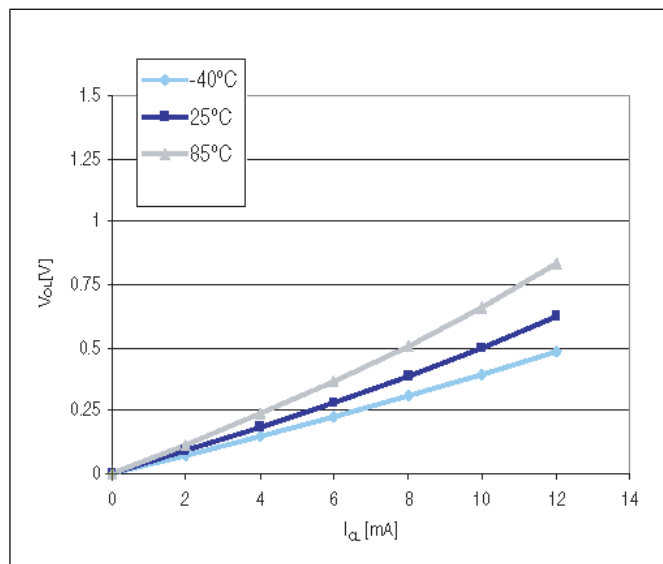




Figure 30: Typ.  $V_{DD} - V_{OH} @ V_{DD} = 5\text{ V}$  (standard ports)

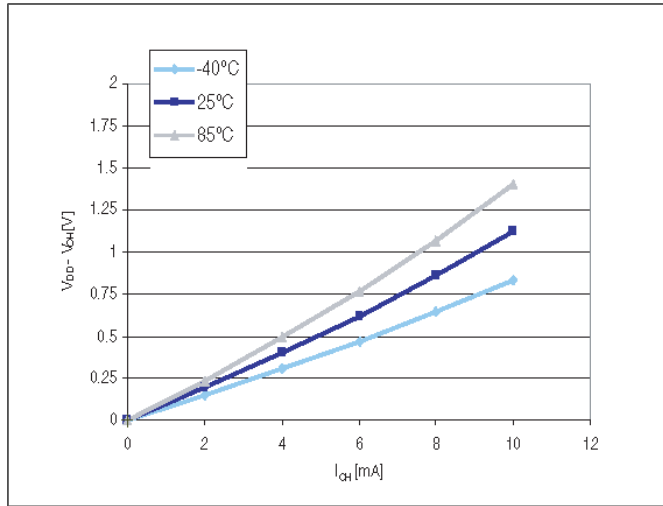


Figure 31: Typ.  $V_{DD} - V_{OH} @ V_{DD} = 3.3\text{ V}$  (standard ports)

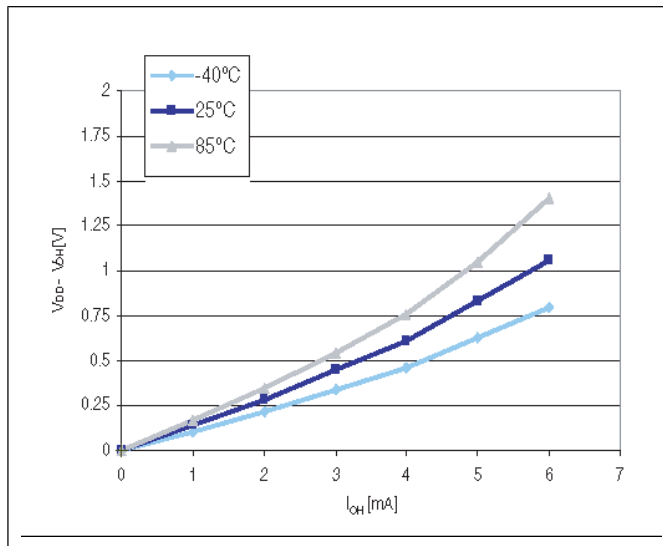


Figure 32: Typ.  $V_{DD} - V_{OH}@ V_{DD} = 5\text{ V}$  (high sink ports)

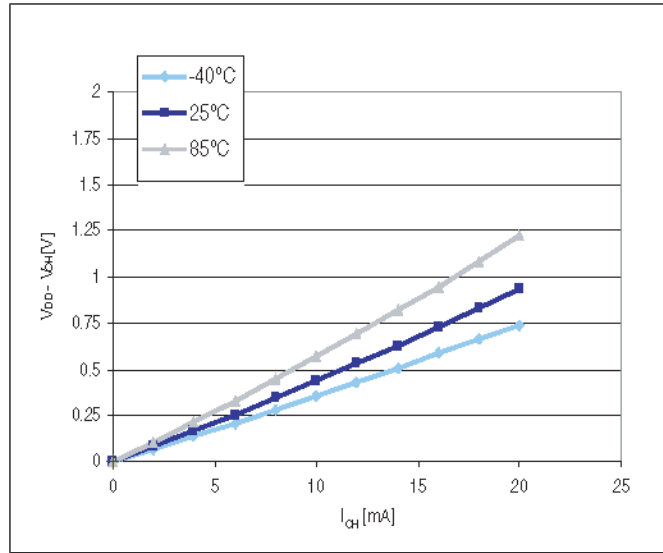
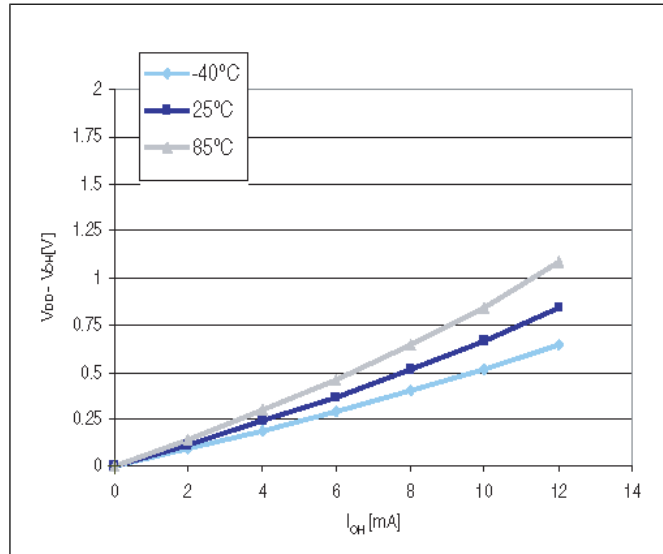


Figure 33: Typ.  $V_{DD} - V_{OH}@ V_{DD} = 3.3\text{ V}$  (high sink ports)



### 9.3.7 Reset pin characteristics

Subject to general operating conditions for  $V_{DD}$  and  $T_A$  unless otherwise specified.

Table 41: NRST pin characteristics

| Symbol         | Parameter      | Conditions | Min    | Typ | Max                 | Unit |
|----------------|----------------|------------|--------|-----|---------------------|------|
| $V_{IL(NRST)}$ | NRST input low |            | -0.3 V |     | $0.3 \times V_{DD}$ | V    |

| Symbol                   | Parameter                                    | Conditions           | Min                 | Typ | Max            | Unit          |
|--------------------------|--|----------------------|---------------------|-----|----------------|---------------|
|                          | level voltage <sup>(1)</sup>                 |                      |                     |     |                |               |
| $V_{IH(NRST)}$           | NRST input high level voltage <sup>(1)</sup> | $I_{OL}=2\text{ mA}$ | $0.7 \times V_{DD}$ |     | $V_{DD} + 0.3$ |               |
| $V_{OL(NRST)}$           | NRST output low level voltage <sup>(1)</sup> |                      |                     |     | 0.5            |               |
| $R_{PU(NRST)}$           | NRST pull-up resistor <sup>(2)</sup>         |                      | 30                  | 55  | 80             | k $\Omega$    |
| $t_{I\text{ FP}(NRST)}$  | NRST input filtered pulse <sup>(3)</sup>     |                      |                     |     | 75             | ns            |
| $t_{I\text{N FP}(NRST)}$ | NRST input not filtered pulse <sup>(3)</sup> |                      | 500                 |     |                |               |
| $t_{OP(NRST)}$           | NRST output pulse <sup>(3)</sup>             |                      | 20                  |     |                | $\mu\text{s}$ |

<sup>(1)</sup> Data based on characterization results, not tested in production.

<sup>(2)</sup> The  $R_{PU}$  pull-up equivalent resistor is based on a resistive transistor

<sup>(3)</sup> Data guaranteed by design, not tested in production.

Figure 34: Typical NRST  $V_{IL}$  and  $V_{IH}$  vs  $V_{DD}$  @ 4 temperatures

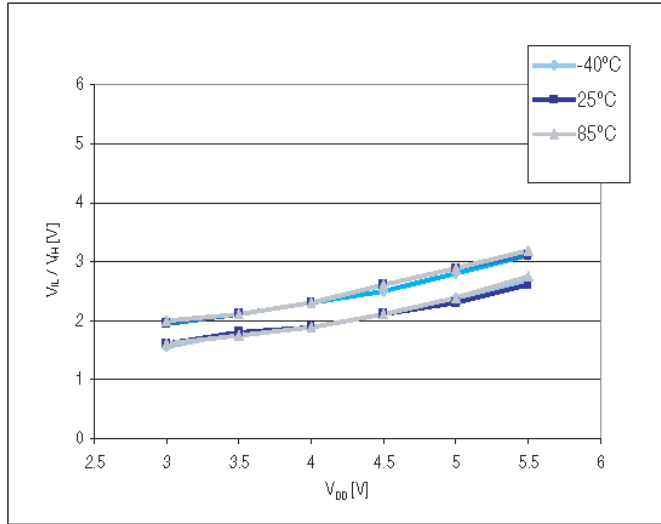


Figure 35: Typical NRST pull-up resistance vs  $V_{DD}$  @ 4 temperatures

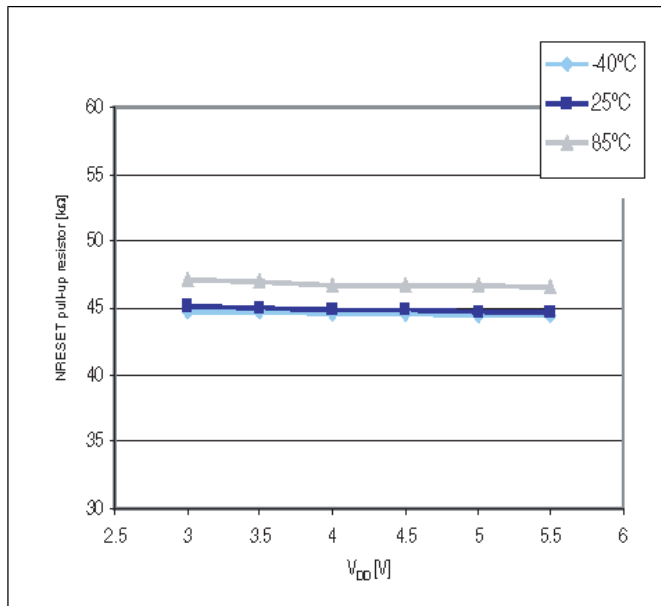
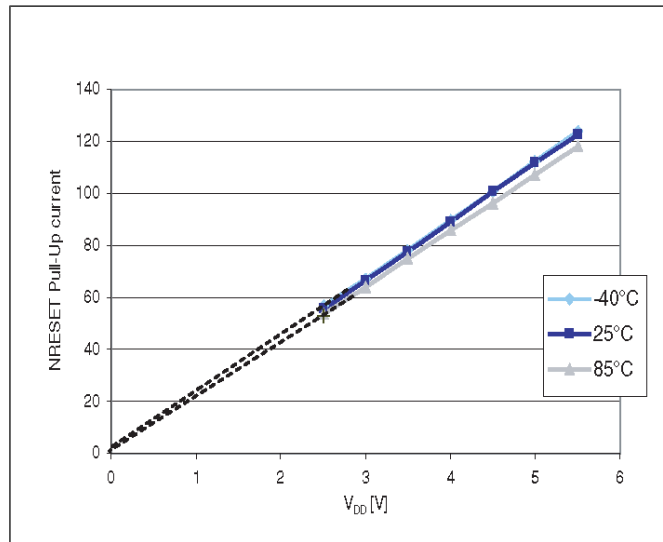


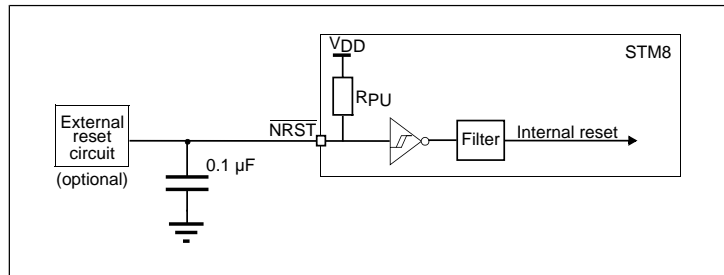
Figure 36: Typical NRST pull-up current vs  $V_{DD}$  @ 4 temperatures



The reset network shown in the following figure protects the device against parasitic resets. The user must ensure that the level on the NRST pin can go below  $V_{IL(NRST)}$  max. (see [#unique\\_55/CD662](#)), otherwise the reset is not taken into account internally.

For power consumption sensitive applications, the external reset capacitor value can be reduced to limit the charge/discharge current. If NRST signal is used to reset external circuitry, attention must be taken to the charge/discharge time of the external capacitor to fulfill the external devices reset timing conditions. Minimum recommended capacity is 10 nF.

Figure 37: Recommended reset pin protection



### 9.3.8 SPI serial peripheral interface

Unless otherwise specified, the parameters given in the following table are derived from tests performed under ambient temperature,  $f_{MASTER}$  frequency and  $V_{DD}$  supply voltage conditions.  
 $t_{MASTER} = 1/f_{MASTER}$

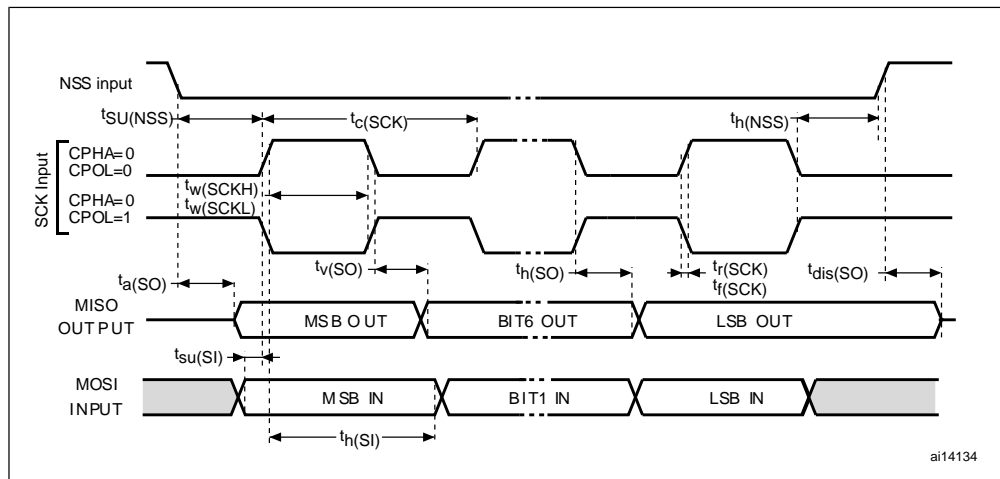
Refer to I/O port characteristics for more details on the input/output alternate function characteristics (NSS, SCK, MOSI, MISO).

Table 42: SPI characteristics

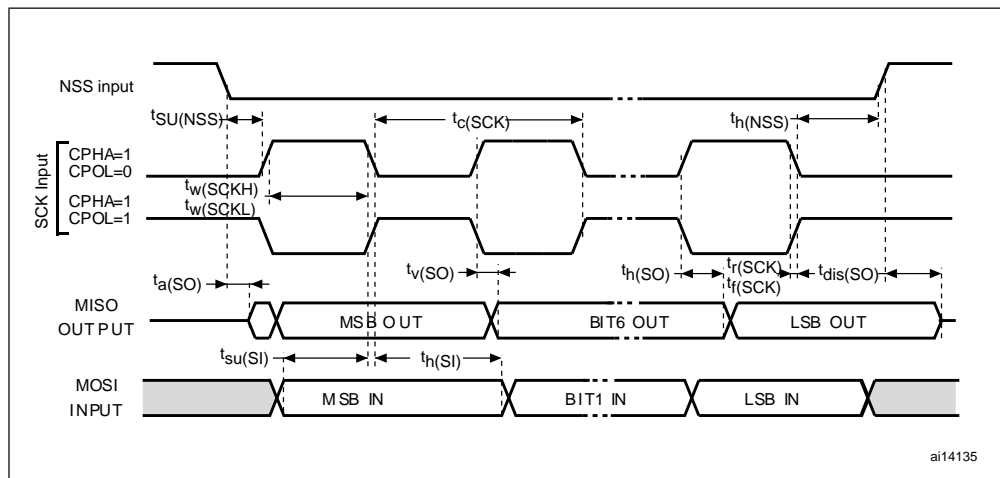
| Symbol                                     | Parameter                    | Conditions <sup>(1)</sup>          | Min                  | Max                  | Unit |
|--|------------------------------|------------------------------------|----------------------|----------------------|------|
| $f_{SCK}1/$<br>$t_{c(SCK)}$                | SPI clock frequency          | Master mode                        | 0                    | 8                    | MHz  |
| $f_{SCK}1/$<br>$t_{c(SCK)}$                | $f_{SCK}1/ t_{c(SCK)}$       | SPI clock frequency                | 0                    | 7 <sup>(2)</sup>     | MHz  |
| $t_{r(SCK)}$<br>$t_{f(SCK)}$               | SPI clock rise and fall time | Capacitive load: C = 30 pF         |                      | 25                   |      |
| $t_{su(NSS)}^{(3)}$                        | NSS setup time               | Slave mode                         | 4 x<br>$t_{MASTER}$  |                      |      |
| $t_{h(NSS)}^{(3)}$                         | NSS hold time                | Slave mode                         | 70                   |                      |      |
| $t_{w(SCKH)}^{(3)}$<br>$t_{w(SCKL)}^{(3)}$ | SCK high and low time        | Master mode                        | $t_{SCK}/$<br>2 - 15 | $t_{SCK}/$<br>2 + 15 |      |
| $t_{su(MI)}^{(3)}$<br>$t_{su(SI)}^{(3)}$   | Data input setup time        | Master mode                        | 5                    |                      |      |
|  |                              | Slave mode                         | 5                    |                      |      |
| $t_{h(MI)}^{(3)}$<br>$t_{h(SI)}^{(3)}$     | Data input hold time         | Master mode                        | 7                    |                      |      |
|  |                              | Slave mode                         | 10                   |                      |      |
| $t_{a(SO)}^{(3) (4)}$                      | Data output access time      | Slave mode                         |                      | 3 x<br>$t_{MASTER}$  | ns   |
| $t_{dis(SO)}^{(3) (5)}$                    | Data output disable time     | Slave mode                         | 25                   |                      |      |
| $t_{v(SO)}^{(3)}$                          | Data output valid time       | Slave mode<br>(after enable edge)  |                      | 65 <sup>(2)</sup>    |      |
| $t_{v(MO)}^{(3)}$                          | Data output valid time       | Master mode<br>(after enable edge) |                      | 30                   |      |
| $t_{h(SO)}^{(3)}$                          | Data output hold time        | Slave mode<br>(after enable edge)  | 27 <sup>(2)</sup>    |                      |      |
| $t_{h(MO)}^{(3)}$                          | Data output hold time        | Master mode<br>(after enable edge) | 11 <sup>(2)</sup>    |                      |      |

- (1) Parameters are given by selecting 10 MHz I/O output frequency.
- (2) Data characterization in progress.
- (3) Values based on design simulation and/or characterization results, and not tested in production.
- (4) Min time is for the minimum time to drive the output and the max time is for the maximum time to validate the data.
- (5) Min time is for the minimum time to invalidate the output and the max time is for the maximum time to put the data in Hi-Z.

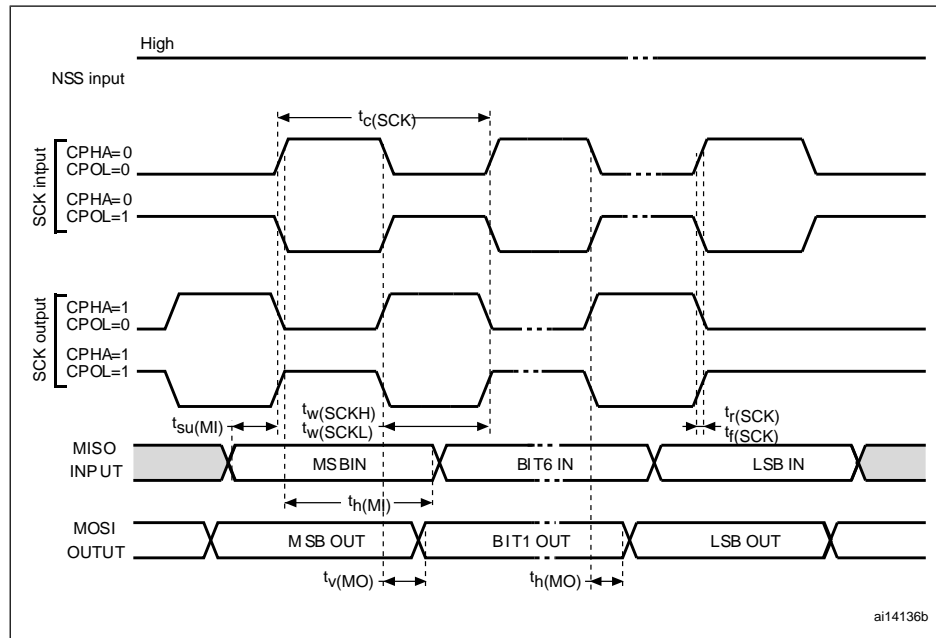
**Figure 38: SPI timing diagram - slave mode and CPHA = 0**



**Figure 39: SPI timing diagram - slave mode and CPHA = 1**



1. Measurement points are made at CMOS levels: 0.3 VDD and 0.7 VDD.

Figure 40: SPI timing diagram - master mode<sup>(1)</sup>

1. Measurement points are made at CMOS levels: 0.3 VDD and 0.7 VDD.

### 9.3.9 I<sup>2</sup>C interface characteristics

Table 43: I<sup>2</sup>C characteristics

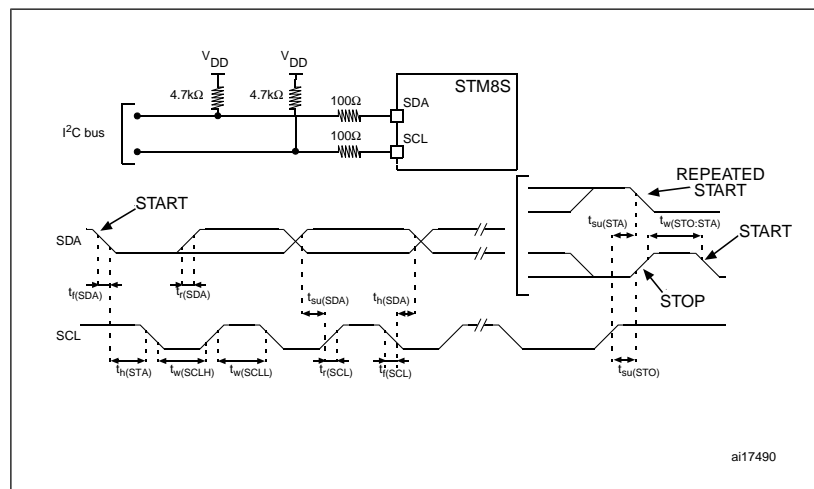
| Symbol                                       | Parameter                           | Standard mode I <sup>2</sup> C |                    | Fast mode I <sup>2</sup> C <sup>(1)</sup> |                    | Unit |
|--|-------------------------------------|--------------------------------|--------------------|---|--------------------|------|
|  |                                     | Min <sup>(2)</sup>             | Max <sup>(2)</sup> | Min <sup>(2)</sup>                        | Max <sup>(2)</sup> |      |
| t <sub>w</sub> (SCLL)                        | SCL clock low time                  | 4.7                            |                    | 1.3                                       |                    | μs   |
| t <sub>w</sub> (SCLH)                        | SCL clock high time                 | 4.0                            |                    | 0.6                                       |                    |      |
| t <sub>su</sub> (SDA)                        | SDA setup time                      | 250                            |                    | 100                                       |                    | ns   |
| t <sub>h</sub> (SDA)                         | SDA data hold time                  | 0 <sup>(3)</sup>               |                    | 0 <sup>(4)</sup>                          | 900 <sup>(3)</sup> |      |
| t <sub>r</sub> (SDA)<br>t <sub>r</sub> (SCL) | SDA and SCL rise time               |                                | 1000               |   | 300                |      |
| t <sub>f</sub> (SDA)<br>t <sub>f</sub> (SCL) | SDA and SCL fall time               |                                | 300                |   | 300                |      |
| t <sub>h</sub> (STA)                         | START condition hold time           | 4.0                            |                    | 0.6                                       |                    | μs   |
| t <sub>su</sub> (STA)                        | Repeated START condition setup time | 4.7                            |                    | 0.6                                       |                    |      |



| Symbol                  | Parameter                                  | Standard mode I <sup>2</sup> C |                    | Fast mode I <sup>2</sup> C <sup>(1)</sup> |                    | Unit |
|-------------------------|--|--------------------------------|--------------------|---|--------------------|------|
|                         |  | Min <sup>(2)</sup>             | Max <sup>(2)</sup> | Min <sup>(2)</sup>                        | Max <sup>(2)</sup> |      |
| t <sub>su(STO)</sub>    | STOP condition setup time                  | 4.0                            |                    | 0.6                                       |                    |      |
| t <sub>w(STO:STA)</sub> | STOP to START condition time<br>(bus free) | 4.7                            |                    | 1.3                                       |                    | μs   |
| C <sub>b</sub>          | Capacitive load for each bus line          |                                | 400                |   | 400                | pF   |

- (1) f<sub>MASTER</sub> must be at least 8 MHz to achieve max fast I<sup>2</sup>C speed (400kHz)
- (2) Data based on standard I<sup>2</sup>C protocol requirement, not tested in production
- (3) The maximum hold time of the start condition has only to be met if the interface does not stretch the low time
- (4) The device must internally provide a hold time of at least 300 ns for the SDA signal in order to bridge the undefined region of the falling edge of SCL

Figure 41: Typical application with I<sup>2</sup>C bus and timing diagram



1. Measurement points are made at CMOS levels: 0.3 x VDD and 0.7 x VDD.

### 9.3.10 10-bit ADC characteristics

Subject to general operating conditions for V<sub>DD</sub>, f<sub>MASTER</sub>, and T<sub>A</sub> unless otherwise specified.

Table 44: ADC characteristics

| Symbol                        | Parameter  | Conditions                        | Min             | Typ  | Max             | Unit               |
|-------------------------------|--|-----------------------------------|-----------------|------|-----------------|--------------------|
| $f_{\text{ADC}}$              | ADC clock frequency  | $V_{\text{DD}} = 2.95$ to $5.5$ V | 1               |      | 4               | MHz                |
|                               |  | $V_{\text{DD}} = 4.5$ to $5.5$ V  | 1               |      | 6               |                    |
| $V_{\text{AIN}}$              | Conversion voltage range <sup>(1)</sup>                                    |                                   | $V_{\text{SS}}$ |      | $V_{\text{DD}}$ | V                  |
| $C_{\text{ADC}}$              | Internal sample and hold capacitor   |                                   |                 | 3    |                 | pF                 |
| $t_{\text{S}}$ <sup>(1)</sup> | Minimum sampling time  | $f_{\text{ADC}} = 4$ MHz          |                 | 0.75 |                 | $\mu\text{s}$      |
|                               |  | $f_{\text{ADC}} = 6$ MHz          |                 | 0.5  |                 |                    |
| $t_{\text{STAB}}$             | Wake-up time from standby  |                                   |                 | 7    |                 | $\mu\text{s}$      |
| $t_{\text{CONV}}$             | Minimum total conversion time (including sampling time, 10-bit resolution) | $f_{\text{ADC}} = 4$ MHz          | 3.5             |      |                 | $\mu\text{s}$      |
|                               |  | $f_{\text{ADC}} = 6$ MHz          | 2.33            |      |                 | $\mu\text{s}$      |
|                               |  |                                   | 14              |      |                 | $1/f_{\text{ADC}}$ |

<sup>(1)</sup> During the sample time the input capacitance  $C_{\text{AIN}}$  (3 pF max) can be charged/discharged by the external source. The internal resistance of the analog source must allow the capacitance to reach its final voltage level within  $t_{\text{S}}$ . After the end of the sample time  $t_{\text{S}}$ , changes of the analog input voltage have no effect on the conversion result. Values for the sample clock  $t_{\text{S}}$  depend on programming.

Table 45: ADC accuracy with  $R_{\text{AIN}} < 10$  k $\Omega$ ,  $V_{\text{DD}} = 5$  V

| Symbol           | Parameter                             | Conditions               | Typ | Max <sup>(1)</sup> | Unit |
|------------------|---------------------------------------|--------------------------|-----|--------------------|------|
| $ E_{\text{T}} $ | Total unadjusted error <sup>(2)</sup> | $f_{\text{ADC}} = 2$ MHz | 1.6 | 3.5                | LSB  |
|                  |                                       | $f_{\text{ADC}} = 4$ MHz | 2.2 | 4                  |      |
|                  |                                       | $f_{\text{ADC}} = 6$ MHz | 2.4 | 4.5                |      |
| $ E_{\text{O}} $ | Offset error <sup>(2)</sup>           | $f_{\text{ADC}} = 2$ MHz | 1.1 | 2.5                |      |

| Symbol         | Parameter                                   | Conditions               | Typ | Max <sup>(1)</sup> | Unit |
|----------------|---|--------------------------|-----|--------------------|------|
|                |   | f <sub>ADC</sub> = 4 MHz | 1.5 | 3                  |      |
|                |   | f <sub>ADC</sub> = 6 MHz | 1.8 | 3                  |      |
| E <sub>G</sub> | Gain error <sup>(2)</sup>                   | f <sub>ADC</sub> = 2 MHz | 1.5 | 3                  |      |
|                |   | f <sub>ADC</sub> = 4 MHz | 2.1 | 3                  |      |
|                |   | f <sub>ADC</sub> = 6 MHz | 2.2 | 4                  |      |
| E <sub>D</sub> | Differential linearity error <sup>(2)</sup> | f <sub>ADC</sub> = 2 MHz | 0.7 | 1.5                |      |
|                |   | f <sub>ADC</sub> = 4 MHz | 0.7 | 1.5                |      |
|                |   | f <sub>ADC</sub> = 6 MHz | 0.7 | 1.5                |      |
| E <sub>L</sub> | Integral linearity error <sup>(2)</sup>     | f <sub>ADC</sub> = 2 MHz | 0.6 | 1.5                |      |
|                |   | f <sub>ADC</sub> = 4 MHz | 0.8 | 2                  |      |
|                |   | f <sub>ADC</sub> = 6 MHz | 0.8 | 2                  |      |

<sup>(1)</sup> Data based on characterization results, not tested in production.

<sup>(2)</sup> ADC accuracy vs. negative injection current: Injecting negative current on any of the analog input pins should be avoided as this significantly reduces the accuracy of the conversion being performed on another analog input. It is recommended to add a Schottky diode (pin to ground) to standard analog pins which may potentially inject negative current. Any positive injection current within the limits specified for I<sub>INJ(PIN)</sub> and ΣI<sub>INJ(PIN)</sub> in the I/O port pin characteristics section does not affect the ADC accuracy.

**Table 46: ADC accuracy with R<sub>AIN</sub> < 10 kΩ R<sub>AIN</sub>, V<sub>DD</sub> = 3.3 V**

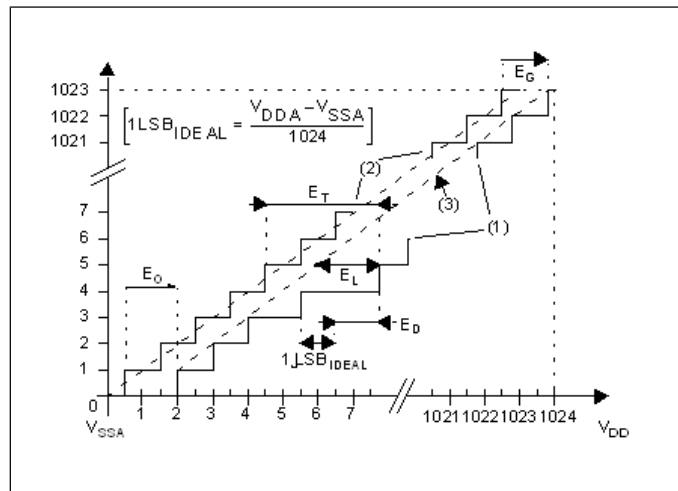
| Symbol         | Parameter                             | Conditions               | Typ | Max <sup>(1)</sup> | Unit |
|----------------|---------------------------------------|--------------------------|-----|--------------------|------|
| E <sub>T</sub> | Total unadjusted error <sup>(2)</sup> | f <sub>ADC</sub> = 2 MHz | 1.6 | 3.5                | LSB  |
|                |                                       | f <sub>ADC</sub> = 4 MHz | 1.9 | 4                  |      |
| E <sub>O</sub> | Offset error <sup>(2)</sup>           | f <sub>ADC</sub> = 2 MHz | 1   | 2.5                |      |

| Symbol         | Parameter                                   | Conditions               | Typ | Max <sup>(1)</sup> | Unit |
|----------------|---|--------------------------|-----|--------------------|------|
|                |   | f <sub>ADC</sub> = 4 MHz | 1.5 | 2.5                |      |
| E <sub>G</sub> | Gain error <sup>(2)</sup>                   | f <sub>ADC</sub> = 2 MHz | 1.3 | 3                  |      |
|                |   | f <sub>ADC</sub> = 4 MHz | 2   | 3                  |      |
| E <sub>D</sub> | Differential linearity error <sup>(2)</sup> | f <sub>ADC</sub> = 2 MHz | 0.7 | 1                  |      |
|                |   | f <sub>ADC</sub> = 4 MHz | 0.7 | 1.5                |      |
| E <sub>L</sub> | Integral linearity error <sup>(2)</sup>     | f <sub>ADC</sub> = 2 MHz | 0.6 | 1.5                |      |
|                |   | f <sub>ADC</sub> = 4 MHz | 0.8 | 2                  |      |

(1) Data based on characterization results, not tested in production.

(2) ADC accuracy vs. negative injection current: Injecting negative current on any of the analog input pins should be avoided as this significantly reduces the accuracy of the conversion being performed on another analog input. It is recommended to add a Schottky diode (pin to ground) to standard analog pins which may potentially inject negative current. Any positive injection current within the limits specified for I<sub>INJ(PIN)</sub> and ΣI<sub>INJ(PIN)</sub> in *I/O port pin characteristics* does not affect the ADC accuracy.

Figure 42: ADC accuracy characteristics



1. Example of an actual transfer curve.
2. The ideal transfer curve

### 3. End point correlation line

$E_T$  = Total unadjusted error: maximum deviation between the actual and the ideal transfer curves.

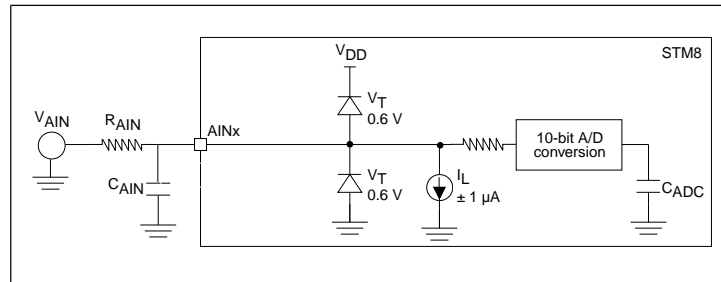
$E_O$  = Offset error: deviation between the first actual transition and the first ideal one.

$E_G$  = Gain error: deviation between the last ideal transition and the last actual one.

$E_D$  = Differential linearity error: maximum deviation between actual steps and the ideal one.

$E_L$  = Integral linearity error: maximum deviation between any actual transition and the end point correlation line.

**Figure 43: Typical application with ADC**



## 9.3.11 EMC characteristics

Susceptibility tests are performed on a sample basis during product characterization.

### 9.3.11.1 Functional EMS (electromagnetic susceptibility)

While executing a simple application (toggling 2 LEDs through I/O ports), the product is stressed by two electromagnetic events until a failure occurs (indicated by the LEDs).

- FESD: Functional electrostatic discharge (positive and negative) is applied on all pins of the device until a functional disturbance occurs. This test conforms with the IEC 61000-4-2 standard.
- FTB: A burst of fast transient voltage (positive and negative) is applied to  $V_{DD}$  and  $V_{SS}$  through a 100 pF capacitor, until a functional disturbance occurs. This test conforms with the IEC 61000-4-4 standard.

A device reset allows normal operations to be resumed. The test results are given in the table below based on the EMS levels and classes defined in application note AN1709 (EMC design guide for STMicrocontrollers).

### 9.3.11.2 Designing hardened software to avoid noise problems

EMC characterization and optimization are performed at component level with a typical application environment and simplified MCU software. It should be noted that good EMC performance is highly dependent on the user application and the software in particular.

Therefore it is recommended that the user applies EMC software optimization and prequalification tests in relation with the EMC level requested for his application.

**Prequalification trials**

Most of the common failures (unexpected reset and program counter corruption) can be recovered by applying a low state on the NRST pin or the oscillator pins for 1 second.

To complete these trials, ESD stress can be applied directly on the device, over the range of specification values. When unexpected behavior is detected, the software can be hardened to prevent unrecoverable errors occurring. See application note AN1015 (Software techniques for improving microcontroller EMC performance).

**Table 47: EMS data**

| Symbol            | Parameter   | Conditions   | Level/class        |
|-------------------|---|--|--------------------|
| V <sub>FESD</sub> | Voltage limits to be applied on any I/O pin to induce a functional disturbance  | V <sub>DD</sub> = 3.3 V, T <sub>A</sub> = 25 °C, f <sub>MASTER</sub> = 16 MHz (HSI clock), conforming to IEC 61000-4-2 | 2/B <sup>(1)</sup> |
| V <sub>EFTB</sub> | Fast transient voltage burst limits to be applied through 100 pF on V <sub>DD</sub> and V <sub>SS</sub> pins to induce a functional disturbance | V <sub>DD</sub> = 3.3 V, T <sub>A</sub> = 25 °C, f <sub>MASTER</sub> = 16 MHz (HSI clock), conforming to IEC 61000-4-4 | 4/A <sup>(1)</sup> |

<sup>(1)</sup>Data obtained with HSI clock configuration, after applying HW recommendations described in AN2860 (EMC guidelines for STM8S microcontrollers).

**9.3.11.3 Electromagnetic interference (EMI)**

Based on a simple application running on the product (toggling 2 LEDs through the I/O ports), the product is monitored in terms of emission. This emission test is in line with the norm SAE IEC 61967-2 which specifies the board and the loading of each pin.

**Table 48: EMI data**

| Symbol           | Parameter  | Conditions  |                          |   |                   | Unit       |
|------------------|------------|---|--------------------------|---|-------------------|------------|
|                  |            | General conditions  | Monitored frequency band | Max f <sub>HSE</sub> /f <sub>CPU</sub> <sup>(1)</sup> |                   |            |
|                  |            |   |                          | 16 MHz/<br>8 MHz                                      | 16 MHz/<br>16 MHz |            |
| S <sub>EMI</sub> | Peak level | V <sub>DD</sub> = 5 V<br>T <sub>A</sub> = 25 °C<br>LQFP32 package | 0.1 MHz to<br>30 MHz     | 5   | 5                 | dB $\mu$ V |
|                  |            |   | 30 MHz to                | 4   | 5                 |            |

| Symbol | Parameter     | Conditions                    |                          |                                      |               | Unit |
|--------|---------------|-------------------------------|--------------------------|--------------------------------------|---------------|------|
|        |               | General conditions            | Monitored frequency band | Max $f_{HSE}/f_{CPU}$ <sup>(1)</sup> |               |      |
|        |               |                               |                          | 16 MHz/8 MHz                         | 16 MHz/16 MHz |      |
|        |               | Conforming to SAE IEC 61967-2 | 130 MHz                  |                                      |               |      |
|        |               |                               | 130 MHz to 1 GHz         | 5                                    | 5             |      |
|        | SAE EMI level |                               | SAE EMI level            | 2.5                                  | 2.5           |      |

<sup>(1)</sup> Data based on characterisation results, not tested in production.

**9.3.11.4 Absolute maximum ratings (electrical sensitivity)**

Based on three different tests (ESD, DLU and LU) using specific measurement methods, the product is stressed to determine its performance in terms of electrical sensitivity. For more details, refer to the application note AN1181.

**9.3.11.5 Electrostatic discharge (ESD)**

Electrostatic discharges (a positive then a negative pulse separated by 1 second) are applied to the pins of each sample according to each pin combination. The sample size depends on the number of supply pins in the device (3 parts\*(n+1) supply pin). One model can be simulated: Human body model. This test conforms to the JESD22-A114A/A115A standard. For more details, refer to the application note AN1181.

**Table 49: ESD absolute maximum ratings**

| Symbol         | Ratings   | Conditions  | Class | Maximum value <sup>(1)</sup> | Unit |
|----------------|---|---|-------|------------------------------|------|
| $V_{ESD(HBM)}$ | Electrostatic discharge voltage (Human body model)    | $T_A = 25^\circ C$ , conforming to JESD22-A114                | A     | 4000                         | V    |
| $V_{ESD(CDM)}$ | Electrostatic discharge voltage (Charge device model) | $T_A$ LQFP32 package = $25^\circ C$ , conforming to SD22-C101 | IV    | 1000                         |      |

<sup>(1)</sup> Data based on characterization results, not tested in production

### 9.3.11.6 Static latch-up

Two complementary static tests are required on 10 parts to assess the latch-up performance:

- A supply overvoltage (applied to each power supply pin)
- A current injection (applied to each input, output and configurable I/O pin) are performed on each sample.

This test conforms to the EIA/JESD 78 IC latch-up standard. For more details, refer to the application note AN1181.

**Table 50: Electrical sensitivities**

| Symbol | Parameter             | Conditions             | Class <sup>(1)</sup> |
|--------|-----------------------|------------------------|----------------------|
| LU     | Static latch-up class | T <sub>A</sub> = 25 °C | A                    |
|        |                       | T <sub>A</sub> = 85 °C | A                    |

<sup>(1)</sup> Class description: A Class is an STMicroelectronics internal specification. All its limits are higher than the JEDEC specifications, that means when a device belongs to class A it exceeds the JEDEC standard. B class strictly covers all the JEDEC criteria (international standard).



# 10 Package information

In order to meet environmental requirements, ST offers these devices in different grades of ECOPACK<sup>®</sup> packages, depending on their level of environmental compliance. ECOPACK<sup>®</sup> specifications, grade definitions and product status are available at: [www.st.com](http://www.st.com). ECOPACK<sup>®</sup> is an ST trademark.

## 10.1 32-pin LQFP package mechanical data

Figure 44: 32-pin low profile quad flat package (7 x 7)

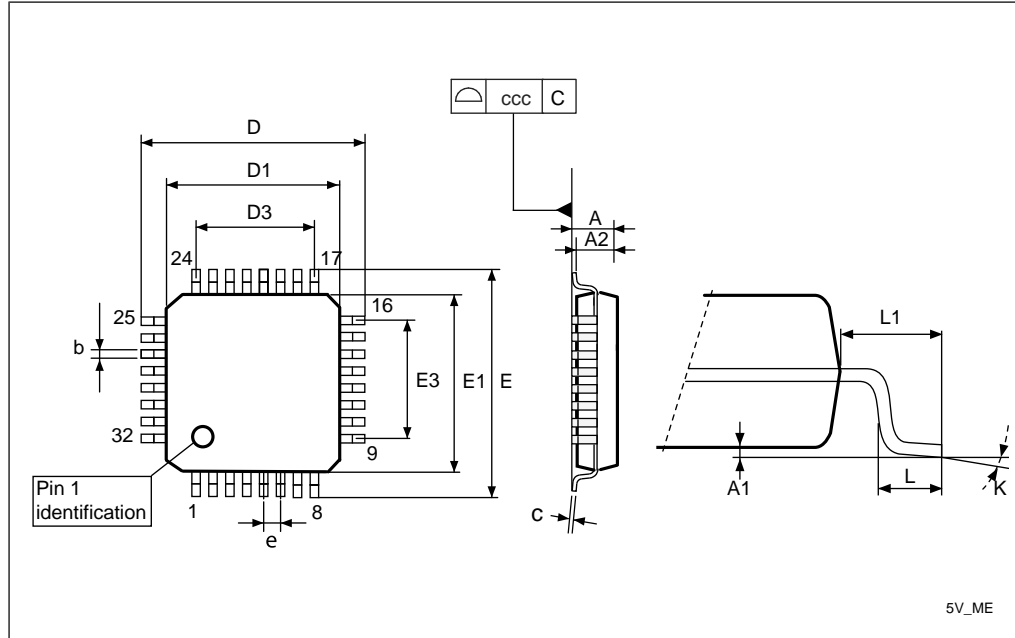


Table 51: 32-pin low profile quad flat package mechanical data

| Dim. | mm    |       |       | inches <sup>(1)</sup> |        |        |
|------|-------|-------|-------|-----------------------|--------|--------|
|      | Min   | Typ   | Max   | Min                   | Typ    | Max    |
| A    |       |       | 1.600 |                       |        | 0.0630 |
| A1   | 0.050 |       | 0.150 | 0.0020                |        | 0.0059 |
| A2   | 1.350 | 1.400 | 1.450 | 0.0531                | 0.0551 | 0.0571 |
| b    | 0.300 | 0.370 | 0.450 | 0.0118                | 0.0146 | 0.0177 |
| c    | 0.090 |       | 0.200 | 0.0035                |        | 0.0079 |
| D    | 8.800 | 9.000 | 9.200 | 0.3465                | 0.3543 | 0.3622 |
| D1   | 6.800 | 7.000 | 7.200 | 0.2677                | 0.2756 | 0.2835 |

| Dim. | mm    |       |       | inches <sup>(1)</sup> |        |        |
|------|-------|-------|-------|-----------------------|--------|--------|
|      | Min   | Typ   | Max   | Min                   | Typ    | Max    |
| D3   |       | 5.600 |       |                       | 0.2205 |        |
| E    | 8.800 | 9.000 | 9.200 | 0.3465                | 0.3543 | 0.3622 |
| E1   | 6.800 | 7.000 | 7.200 | 0.2677                | 0.2756 | 0.2835 |
| E3   |       | 5.600 |       |                       | 0.2205 |        |
| e    |       | 0.800 |       |                       | 0.0315 |        |
| L    | 0.450 | 0.600 | 0.750 | 0.0177                | 0.0236 | 0.0295 |
| L1   |       | 1.000 |       |                       | 0.0394 |        |
| k    | 0.0°  | 3.5°  | 7.0°  | 0.0°                  | 3.5°   | 7.0°   |
| ccc  |       |       | 0.100 |                       |        | 0.0039 |

<sup>(1)</sup> Values in inches are converted from mm and rounded to 4 decimal digits

## 10.2 20-pin TSSOP package mechanical data

Figure 45: 20-pin, 4.40 mm body, 0.65 mm pitch

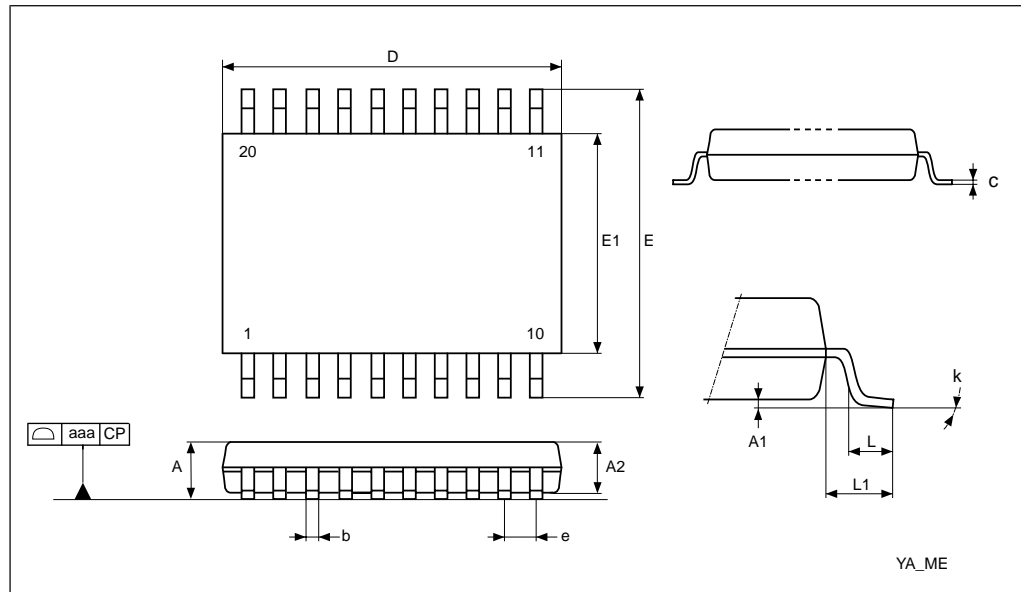


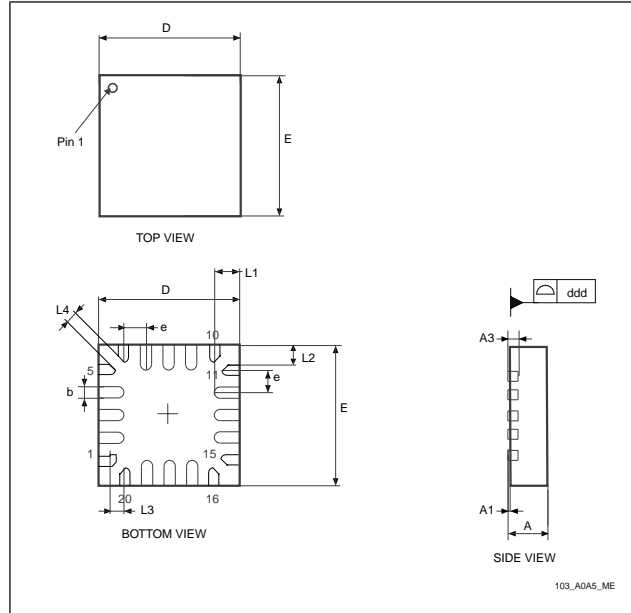
Table 52: 20-pin, 4.40 mm body, 0.65 mm pitch mechanical data

| Dim. | mm    |       |       | inches <sup>(1)</sup> |        |        |
|------|-------|-------|-------|-----------------------|--------|--------|
|      | Min   | Typ   | Max   | Min                   | Typ    | Max    |
| A    |       |       | 1.200 |                       |        | 0.0472 |
| A1   | 0.050 |       | 0.150 | 0.0020                |        | 0.0059 |
| A2   | 0.800 | 1.000 | 1.050 | 0.0315                | 0.0394 | 0.0413 |
| b    | 0.190 |       | 0.300 | 0.0075                |        | 0.0118 |
| c    | 0.090 |       | 0.200 | 0.0035                |        | 0.0079 |
| D    | 6.400 | 6.500 | 6.600 | 0.2520                | 0.2559 | 0.2598 |
| E    | 6.200 | 6.400 | 6.600 | 0.2441                | 0.2520 | 0.2598 |
| E1   | 4.300 | 4.400 | 4.500 | 0.1693                | 0.1732 | 0.1772 |
| e    |       | 0.650 |       |                       | 0.0256 |        |
| L    | 0.450 | 0.600 | 0.750 | 0.0177                | 0.0236 | 0.0295 |
| L1   |       | 1.000 |       |                       | 0.0394 |        |
| k    | 0.0°  |       | 8.0°  | 0.0°                  |        | 8.0°   |
| aaa  |       |       | 0.100 |                       |        | 0.0039 |

<sup>(1)</sup> Values in inches are converted from mm and rounded to 4 decimal digits

### 10.3 20-lead UFQFPN package mechanical data

Figure 46: 20-lead ultra thin fine pitch quad flat no-lead package outline (3x3)



1. Drawing is not to scale.

Table 53: 20-lead ultra thin fine pitch quad flat no-lead package (3x3) mechanical data

| Dim. | mm    |       |       | inches <sup>(1)</sup> |        |        |
|------|-------|-------|-------|-----------------------|--------|--------|
|      | Min   | Typ   | Max   | Min                   | Typ    | Max    |
| D    |       | 3.000 |       |                       | 0.1181 |        |
| E    |       | 3.000 |       |                       | 0.1181 |        |
| A    | 0.500 | 0.550 | 0.600 | 0.0197                | 0.0217 | 0.0236 |
| A1   | 0.000 | 0.020 | 0.050 | 0.0000                | 0.0008 | 0.0020 |
| A3   |       | 0.152 |       |                       | 0.0060 |        |
| e    |       | 0.500 |       |                       | 0.0197 |        |
| L1   | 0.500 | 0.550 | 0.600 | 0.0197                | 0.0217 | 0.0236 |
| L2   | 0.300 | 0.350 | 0.400 | 0.0118                | 0.0138 | 0.0157 |
| L3   |       | 0.150 |       |                       | 0.0059 |        |
| L4   |       | 0.200 |       |                       | 0.0079 |        |
| b    | 0.180 | 0.250 | 0.300 | 0.0071                | 0.0098 | 0.0118 |

| Dim. | mm    |     |     | inches <sup>(1)</sup> |     |     |
|------|-------|-----|-----|-----------------------|-----|-----|
|      | Min   | Typ | Max | Min                   | Typ | Max |
| ddd  | 0.050 |     |     | 0.0020                |     |     |

<sup>(1)</sup> Values in inches are converted from mm and rounded to 4 decimal digits.

## 11 Thermal characteristics

The maximum chip junction temperature ( $T_{Jmax}$ ) must never exceed the values given in [Operating conditions](#).

The maximum chip-junction temperature,  $T_{Jmax}$ , in degrees Celsius, may be calculated using the following equation:

$$T_{Jmax} = T_{Amax} + (P_{Dmax} \times \Theta_{JA})$$

Where:

- $T_{Amax}$  is the maximum ambient temperature in °C
- $\Theta_{JA}$  is the package junction-to-ambient thermal resistance in °C/W
- $P_{Dmax}$  is the sum of  $P_{INTmax}$  and  $P_{I/Omax}$  ( $P_{Dmax} = P_{INTmax} + P_{I/Omax}$ )
- $P_{INTmax}$  is the product of  $I_{DD}$  and  $V_{DD}$ , expressed in Watts. This is the maximum chip internal power.
- $P_{I/Omax}$  represents the maximum power dissipation on output pins

Where:  $P_{I/Omax} = \Sigma (V_{OL} * I_{OL}) + \Sigma ((V_{DD} - V_{OH}) * I_{OH})$ , taking into account the actual  $V_{OL}/I_{OL}$  and  $V_{OH}/I_{OH}$  of the I/Os at low and high level in the application.

**Table 54: Thermal characteristics**

| Symbol        | Parameter <sup>(1)</sup>                                   | Value | Unit |
|---------------|--|-------|------|
| $\Theta_{JA}$ | Thermal resistance junction-ambient<br>TSSOP20 - 4.4 mm    | 84    | °C/W |
| $\Theta_{JA}$ | Thermal resistance junction-ambient<br>UFQFPN20 - 3 x 3 mm | 90    |      |
| $\Theta_{JA}$ | Thermal resistance junction-ambient<br>LQFP32 - 7 x 7 mm   | 60    |      |

<sup>(1)</sup>Thermal resistances are based on JEDEC JESD51-2 with 4-layer PCB in a natural convection environment.

### 11.1 Reference document

JESD51-2 integrated circuits thermal test method environment conditions - natural convection (still air). Available from [www.jedec.org](http://www.jedec.org).

### 11.2 Selecting the product temperature range

When ordering the microcontroller, the temperature range is specified in the order code.

The following example shows how to calculate the temperature range needed for a given application.

Assuming the following application conditions:

- Maximum ambient temperature  $T_{Amax} = 75\text{ °C}$  (measured according to JESD51-2)

- $I_{DDmax} = 8\text{ mA}$ ,  $V_{DD} = 5\text{ V}$

- Maximum 20 I/Os used at the same time in output at low level with

$$I_{OL} = 8\text{ mA}, V_{OL} = 0.4\text{ V}$$

$$P_{INTmax} = 8\text{ mA} \times 5\text{ V} = 400\text{ mW}$$

Amax

- $P_{Dmax} = 400\text{ mW} + 64\text{ mW}$

$$\text{Thus: } P_{Dmax} = 464\text{ mW}$$

$T_{Jmax}$  for LQFP32 can be calculated as follows, using the thermal resistance  $\Theta_{JA}$ :

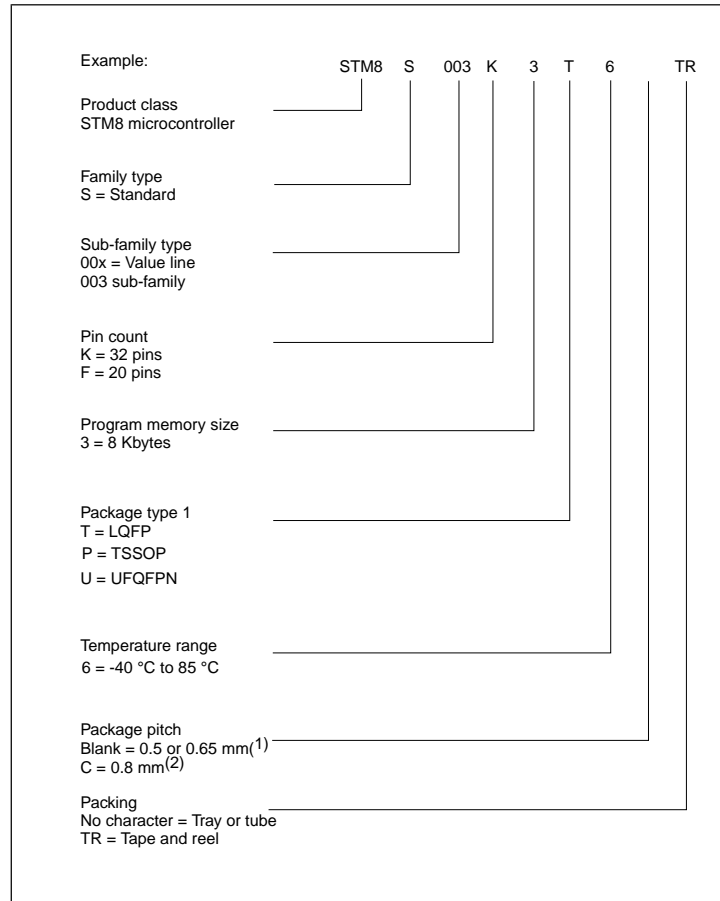
$$T_{Jmax} = 75\text{ °C} + (60\text{ °C/W} \times 464\text{ mW}) = 75\text{ °C} + 27.8\text{ °C} = 102.8\text{ °C}$$

This is within the range of the suffix 6 version parts ( $-40 < T_J < 105\text{ °C}$ ).

In this case, parts must be ordered at least with the temperature range suffix 6.

## 12 Ordering information

Figure 47: STM8S003x value line ordering information scheme



1. TSSOP and UFQFPN package.
2. LQFP package.

For a list of available options (e.g. package, packing) and orderable part numbers or for further information on any aspect of this device, please go to [www.st.com](http://www.st.com) or contact the ST Sales Office nearest to you.



## 13 STM8 development tools

Development tools for the STM8 microcontrollers include the full-featured STIce emulation system supported by a complete software tool package including C compiler, assembler and integrated development environment with high-level language debugger. In addition, the STM8 is to be supported by a complete range of tools including starter kits, evaluation boards and a low-cost in-circuit debugger/programmer.

### 13.1 Emulation and in-circuit debugging tools

The STIce emulation system offers a complete range of emulation and in-circuit debugging features on a platform that is designed for versatility and cost-effectiveness. In addition, STM8 application development is supported by a low-cost in-circuit debugger/programmer.

The STIce is the fourth generation of full featured emulators from STMicroelectronics. It offers new advanced debugging capabilities including profiling and coverage to help detect and eliminate bottlenecks in application execution and dead code when fine tuning an application.

In addition, STIce offers in-circuit debugging and programming of STM8 microcontrollers via the STM8 single wire interface module (SWIM), which allows non-intrusive debugging of an application while it runs on the target microcontroller.

For improved cost effectiveness, STIce is based on a modular design that allows you to order exactly what you need to meet your development requirements and to adapt your emulation system to support existing and future ST microcontrollers.

#### STIce key features

- Occurrence and time profiling and code coverage (new features)
- Advanced breakpoints with up to 4 levels of conditions
- Data breakpoints
- Program and data trace recording up to 128 KB records
- Read/write on the fly of memory during emulation
- In-circuit debugging/programming via SWIM protocol
- 8-bit probe analyzer
- 1 input and 2 output triggers
- Power supply follower managing application voltages between 1.62 to 5.5 V
- Modularity that allows you to specify the components you need to meet your development requirements and adapt to future requirements
- Supported by free software tools that include integrated development environment (IDE), programming software interface and assembler for STM8.

### 13.2 Software tools

STM8 development tools are supported by a complete, free software package from STMicroelectronics that includes ST Visual Develop (STVD) IDE and the ST Visual Programmer (STVP) software interface. STVD provides seamless integration of the Cosmic and Raisonance C compilers for STM8, which are available in a free version that outputs up to 16 Kbytes of code.

### 13.2.1 STM8 toolset

**STM8 toolset** with STVD integrated development environment and STVP programming software is available for free download at [www.st.com/mcu](http://www.st.com/mcu). This package includes:

**ST Visual Develop** – Full-featured integrated development environment from ST, featuring

- Seamless integration of C and ASM toolsets
- Full-featured debugger
- Project management
- Syntax highlighting editor
- Integrated programming interface
- Support of advanced emulation features for STice such as code profiling and coverage

**ST Visual Programmer (STVP)** – Easy-to-use, unlimited graphical interface allowing read, write and verify of your STM8 microcontroller's Flash program memory, data EEPROM and option bytes. STVP also offers project mode for saving programming configurations and automating programming sequences.

### 13.2.2 C and assembly toolchains

Control of C and assembly toolchains is seamlessly integrated into the STVD integrated development environment, making it possible to configure and control the building of your application directly from an easy-to-use graphical interface.

Available toolchains include:

- **Cosmic C compiler for STM8** – Available in a free version that outputs up to 16 Kbytes of code. For more information, see [www.cosmic-software.com](http://www.cosmic-software.com).
- **Raisonance C compiler for STM8** – Available in a free version that outputs up to 16 Kbytes of code. For more information, see [www.raisonance.com](http://www.raisonance.com).
- **STM8 assembler linker** – Free assembly toolchain included in the STVD toolset, which allows you to assemble and link your application source code.

## 13.3 Programming tools

During the development cycle, STice provides in-circuit programming of the STM8 Flash microcontroller on your application board via the SWIM protocol. Additional tools are to include a low-cost in-circuit programmer as well as ST socket boards, which provide dedicated programming platforms with sockets for programming your STM8.

For production environments, programmers will include a complete range of gang and automated programming solutions from third-party tool developers already supplying programmers for the STM8 family.

## 14 Revision history

Table 55: Document revision history

| Date        | Revision | Changes   |
|-------------|----------|---|
| 12-Jul-2011 | 1        | Initial revision.   |
| 09-Jan-2012 | 2        | <p>Added <math>N_{RW}</math> and <math>t_{RET}</math> for data EEPROM in <a href="#">Table 36: Flash program memory and data EEPROM</a>.</p> <p>Updated <math>R_{PU}</math> in <a href="#">Table 41: NRST pin characteristics</a> and <a href="#">Table 37: I/O static characteristics</a>.</p> <p>Updated notes related to <math>V_{CAP}</math> in <a href="#">Table 18: General operating conditions</a>.</p> |
| 12-Jun-2012 | 3        | <p>Updated temperature condition for factory calibrated <math>ACC_{HSI}</math> in <a href="#">Table 33: HSI oscillator characteristics</a>.</p> <p>Changed SCK input to SCK output in <a href="#">Figure 40: SPI timing diagram - master mode(1)</a></p> <p>Modified <a href="#">Figure 46: 20-lead ultra thin fine pitch quad flat no-lead package outline (3x3)</a> to add package top view.</p>              |

**Please Read Carefully**

Information in this document is provided solely in connection with ST products. STMicroelectronics NV and its subsidiaries ("ST") reserve the right to make changes, corrections, modifications or improvements, to this document, and the products and services described herein at anytime, without notice.

All ST products are sold pursuant to ST's terms and conditions of sale.

Purchasers are solely responsible for the choice, selection and use of the ST products and services described herein, and ST assumes no liability whatsoever relating to the choice, selection or use of the ST products and services described herein.

No license, express or implied, by estoppel or otherwise, to any intellectual property rights is granted under this document. If any part of this document refers to any third party products or services it shall not be deemed a license grant by ST for the use of such third party products or services, or any intellectual property contained therein or considered as a warranty covering the use in any manner whatsoever of such third party products or services or any intellectual property contained therein.

**UNLESS OTHERWISE SET FORTH IN ST'S TERMS AND CONDITIONS OF SALE ST DISCLAIMS ANY EXPRESS OR IMPLIED WARRANTY WITH RESPECT TO THE USE AND/OR SALE OF ST PRODUCTS INCLUDING WITHOUT LIMITATION IMPLIED WARRANTIES OF MERCHANTABILITY, FITNESS FOR A PARTICULAR PURPOSE (AND THEIR EQUIVALENTS UNDER THE LAWS OF ANY JURISDICTION), OR INFRINGEMENT OF ANY PATENT, COPYRIGHT OR OTHER INTELLECTUAL PROPERTY RIGHT.**

**UNLESS EXPRESSLY APPROVED IN WRITING BY TWO AUTHORIZED ST REPRESENTATIVES, ST PRODUCTS ARE NOT RECOMMENDED, AUTHORIZED OR WARRANTED FOR USE IN MILITARY, AIR CRAFT, SPACE, LIFE SAVING, OR LIFE SUSTAINING APPLICATIONS, NOR IN PRODUCTS OR SYSTEMS WHERE FAILURE OR MALFUNCTION MAY RESULT IN PERSONAL INJURY, DEATH, OR SEVERE PROPERTY OR ENVIRONMENTAL DAMAGE. ST PRODUCTS WHICH ARE NOT SPECIFIED AS "AUTOMOTIVE GRADE" MAY ONLY BE USED IN AUTOMOTIVE APPLICATIONS AT USER'S OWN RISK.**

Resale of ST products with provisions different from the statements and/or technical features set forth in this document shall immediately void any warranty granted by ST for the ST product or service described herein and shall not create or extend in any manner whatsoever, any liability of ST.

ST and the ST logo are trademarks or registered trademarks of ST in various countries.

Information in this document supersedes and replaces all information previously supplied.

The ST logo is a registered trademark of STMicroelectronics. All other names are the property of their respective owners.

© 2012 STMicroelectronics - All rights reserved

STMicroelectronics group of companies

Australia - Belgium - Brazil - Canada - China - Czech Republic - Finland - France - Germany - Hong Kong - India - Israel - Italy - Japan - Malaysia - Malta - Morocco - Philippines - Singapore - Spain - Sweden - Switzerland - United Kingdom - United States of America

[www.st.com](http://www.st.com)