



# DS2703EVKIT

## Battery Pack Authentication IC with SHA-1 Security

[www.maxim-ic.com](http://www.maxim-ic.com)

### FEATURES

- Demonstrates the capabilities of the DS2703 Battery Pack Authentication IC with SHA-1 Security, including:
  - Secure Challenge and Response Authentication using the SHA-1 Algorithm
  - Identification
  - Thermistor Multiplexor
- Interfaces to the USB Port of a PC running Windows XP® or older operating system that supports USB operation

### INDEX

Evaluation Kit Contents  
 Equipment Needed  
 Introduction  
 Setup and Installation  
   Board Connections  
   Software Installation  
 Menus  
   SHA-1 Tools  
 Main Program Window  
   SHA-1 Commands  
   1-Wire® Commands  
   Other Commands

### INTRODUCTION

The DS2703 evaluation kit (EV kit) makes performance evaluation, software development, and prototyping with the DS2703 Battery Pack Authentication IC with SHA-1 Security easy. The evaluation board interfaces to a PC through a DS91230 USB Adapter and RJ-11 cable connection. All related data sheets along with the evaluation software can be found on our website at [www.maxim-ic.com](http://www.maxim-ic.com).

The DS2703 EV kit evaluation software gives the user complete control of all SHA-1 functions of the DS2703 as well as the various other commands.

The evaluation board circuit is designed to provide the DS2703 with a stable environment to perform SHA-1 Calculations, program the DS2703, and make thermistor measurements. Kit demonstration boards will vary as they are improved upon over time. For information on the demonstration board circuits refer to our website at [www.maxim-ic.com](http://www.maxim-ic.com).

### EVALUATION KIT CONTENTS

- 1 pc. TSSOP Evaluation Board
- 1 pc. DS91230 USB Adapter
- 1 pc. RJ-11 Phone Cable

### REQUIRED EQUIPMENT

1. A PC running Windows XP or older operating system and an available USB port.

### OPTIONAL EQUIPMENT

2. A 15V Power Supply for programming
3. Meter to measure the thermistor voltage
4. Cables with mini-grabber style clips or the ability to solder directly to connection pads.

### ORDERING INFORMATION

PART	TYPE
DS2703EVKIT+	EV Kit

+Denotes lead(Pb)-free and RoHS compliant.

*Windows XP is a registered trademark of Microsoft Corp.  
 1-Wire is a registered trademark of Maxim Integrated Products, Inc.*

## SETUP AND INSTALLATION

### BOARD CONNECTIONS

Connections to the demonstration board are best made either by soldering directly to the pads or by using cables with mini-grabber clips. Communication to the board can be accomplished through the RJ-11 jack by connecting the provided standard six conductor RJ-11 cord to the DS91230 USB Adapter. No other connections are required for communicating with the device and performing SHA-1 Calculations.

A 15V programming supply should be connected between the VPP and VSS pads, as shown in Figures 1 and 2, if any of the commands that require a programming pulse are used. To measure the Thermistor divider voltage, connect the meter across the THM and VSS pads. Since the Thermistor divider voltage is only valid for a limited time following the Activate THM command, a trigger pulse is provided on the TRGR pad to signal that a voltage measurement should be made. See the Main Program Window section below for more details on programming and thermistor measurements.

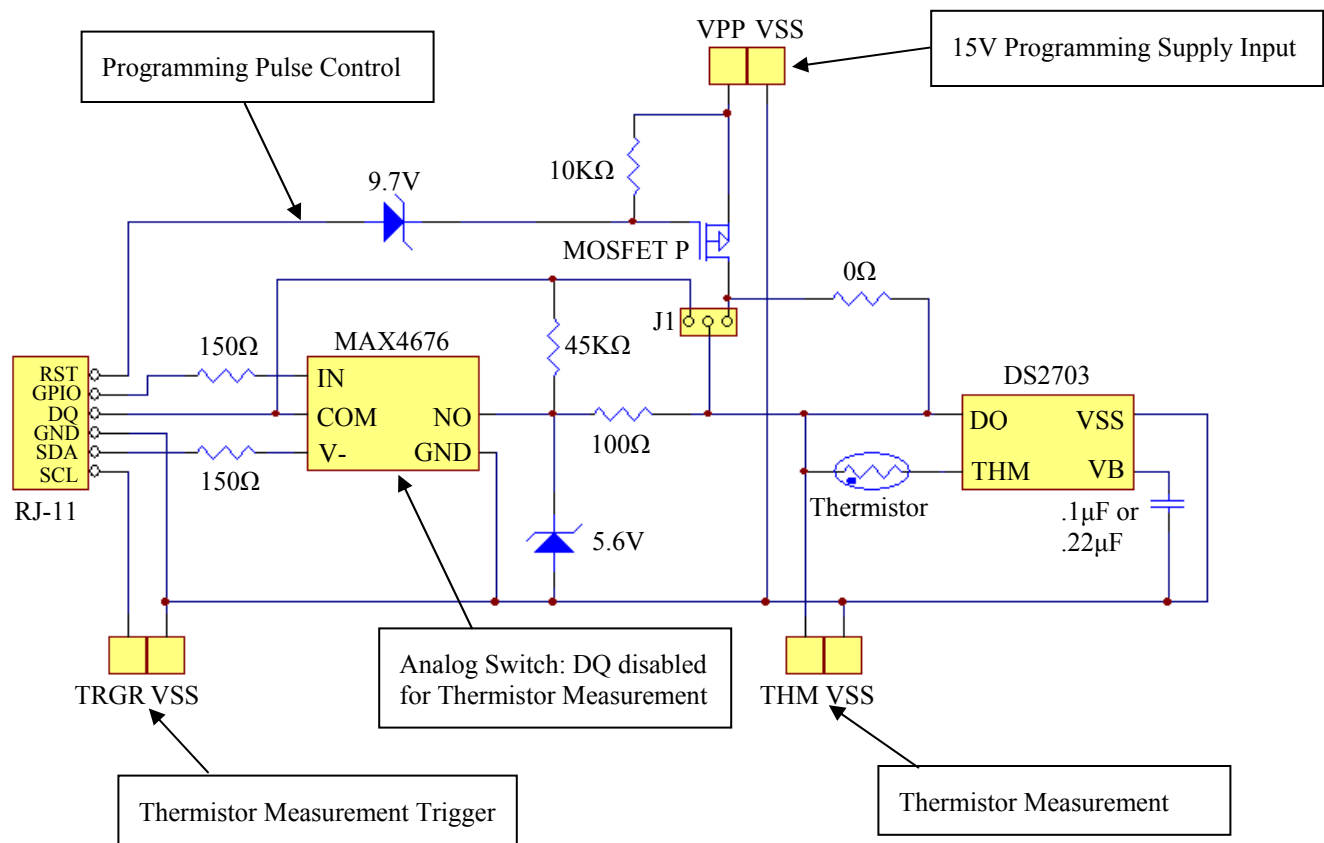


Figure 1: DS2703 EV Kit Schematic

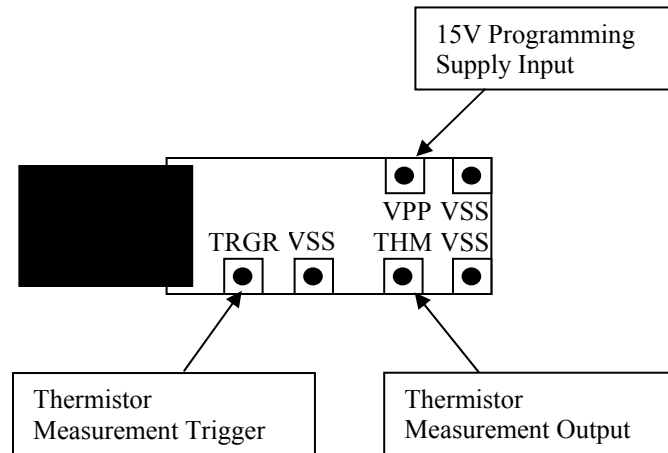


Figure 2: DS2703 EV Kit (PD122404 ) Connections

## SOFTWARE INSTALLATION

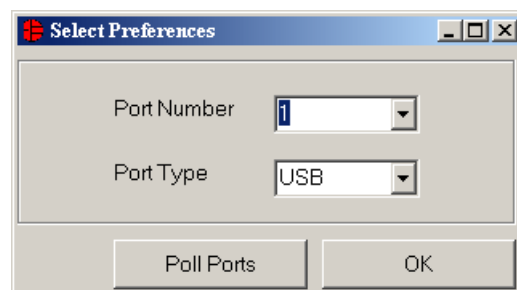
To install the DS2703 EV kit software, exit all programs currently running and download the latest DS2703 EV kit software from our website at [www.maxim-ic.com](http://www.maxim-ic.com). Unzip the compressed file and run SETUP.EXE to begin the installation process. Follow the prompts to complete the installation. The DS2703 EV kit software can be uninstalled in the Add/Remove Programs tool in the Control Panel. After the installation is complete, open the DS2703K folder and run DS2703K.EXE or select DS2703K from the program menu. A splash screen containing information about the evaluation kit appears as the program is being loaded.

All relevant data sheets and application notes on the DS2703 and DS2703 EV Kit can be found on our website at [www.maxim-ic.com](http://www.maxim-ic.com). They are stored in Adobe Acrobat format for easy viewing.

## SELECTING THE COM PORT

If the DS9123O is connected when the DS2703 EV Kit is started, the software will start up automatically. If it is not connected, the Select Preferences window will open. This software will operate with the DS9123 Serial Port Adapter, but the all of the functions of the DS2703 will not be available.

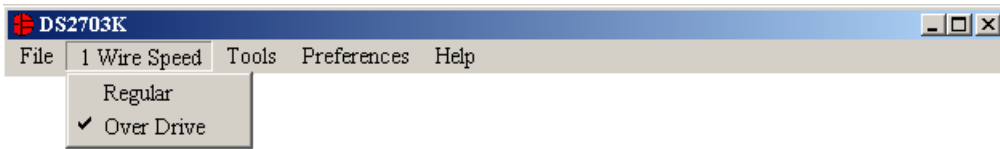
In this window, select either serial port or USB communication and the port number; then hit OK. The DS2703 EV kit software saves this port selection and automatically uses the selection each time the program starts. To change the port later, click the Preferences option on the menu bar, select Edit Preferences, and then select the appropriate port. To attempt to automatically locate the DS9123O or DS9123, click the Poll Ports button. Warning - automatically polling for the DS9123 can disrupt other devices connected to your computer's COM ports.



## MENUS

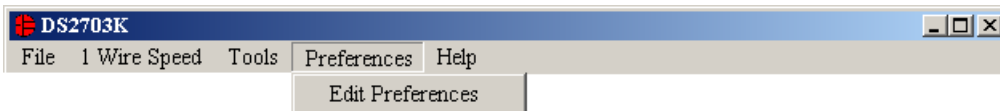
Several pull down menu options have been provided to simplify use of the DS2703 EV kit software for the user. Their functions are individually detailed below.

### 1 WIRE SPEED MENU



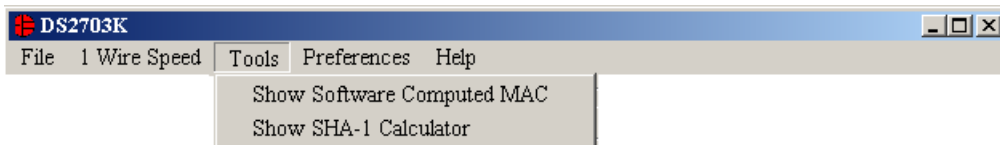
The 1 Wire Speed Menu allows the user to set the 1 Wire speed that the software uses. The DS2703 is capable of communicating at Regular and Over Drive speeds, so it is possible that the software will be communicating in one speed and the DS2703 will be in the other speed. This menu allows the user to specify which speed the software will use, but it will not make any changes to the device. The software will attempt to identify the correct speed of the device at startup, but in the event that the software and the device get out of sync, this Menu will allow the user to correct the problem. A check mark will be next to the speed that is currently in use by the software.

### PREFERENCES MENU



The Preferences Menu allows the user to change port settings at any time. Edit Preferences opens the Select Preferences window. See Selecting the COM Port above.

### TOOLS MENU



The software provides 2 tools to evaluate the SHA-1 calculations, a method to view the Software Computed MAC and a SHA-1 Calculator. Left-clicking on the Show Software Computed MAC Menu Item will expand the Main Window to show the MAC computed by the software. See the Main Program Window section below for more details.

## The SHA-1 Calculator

MSB **Secret** LSB

A0	F1	63	AE
51	40	BC	76

**ROM ID**

26	D4	EC	34
C6	00	00	10

**Challenge**

26	C0	F8	BA
40	0D	C8	F5

**Software Computed MAC**

A	D4	20	12	1E
B	03	61	87	74
C	08	AB	A2	0D
D	3B	05	F0	21
E	F6	BB	76	95

Compute MAC with Software

Use ROM ID?

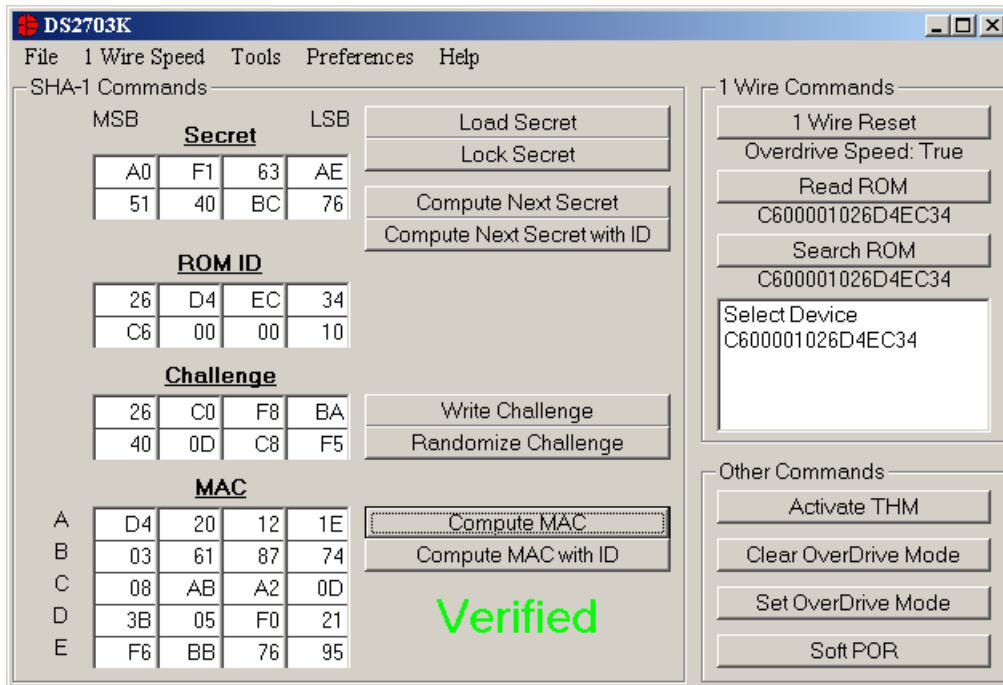
Left-clicking on the Show SHA-1 Calculator Menu Item will open a new window that will allow the user to perform SHA-1 calculations independent of the DS2703. Simply fill in the text boxes with the desired values and left-click on the Compute MAC with Software button. If the ROM ID is to be used in Computing the MAC, then check the Use ROM ID? check box. Use the Option – Fill with Values from Main Form Menu Item to fill the Secret, ROM ID and Challenge text boxes with values from the Main Program Window.

## HELP MENU



Selecting the About topic from the Help Menu will open a window containing information about this program and Dallas Semiconductor.

## MAIN PROGRAM WINDOW

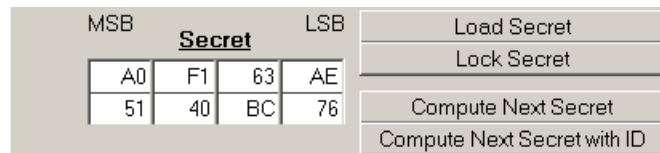


All functions of the program are located in Main Program Window. These functions of the DS2703 are divided into three sections: SHA-1 Commands, 1 Wire Commands, and Other Commands.

### SHA-1 COMMANDS

The DS2703 uses an 8 byte Secret, the 8 byte ROM ID code of the device and an 8 byte Challenge to generate a 20 byte Message Digest (also called the MAC) using the SHA-1 encryption algorithm.

#### The Secret



The user is able to update the 8 bytes of the Secret by entering the new Secret into the 8 text boxes below the Secret label. The top-right text box is the LSB of the Secret, and the bottom-left text box is the MSB of the Secret. (All text boxes are displayed in this same format.) With the desired Secret in place, left-click on the Load Secret button. This will write the new Secret to the DS2703 and provide a programming pulse to store the Secret to the device.

The user can also permanently lock the Secret by left-clicking on the Lock Secret button. Once the Secret is locked, it cannot be changed and cannot be read from the DS2703. The software will prompt the user to make sure the Secret is ready to be permanently locked.

Another feature of the DS2703 is to generate the Next Secret from the existing Secret, ROM ID and Challenge. It is important to Write the Challenge (see below) before left-clicking the Compute Next Secret or Compute Next Secret with ID button. The device will perform the SHA-1 calculation and create the Next Secret. The software will perform a SHA-1 calculation based on the values in the text boxes for the Secret, ROM ID (if desired) and Challenge and place the new Secret, as calculated by software, in the Secret text boxes. The new Secret is never read back from the device.

It is important for the software and the DS2703 to have identical Secrets, ROM ID's, and Challenges so that the software can properly verify the operation of the DS2703. If the software is not in sync with the device, simply start with a new Secret and Load it into the device.

The DS2703 has 2 commands to compute the Next Secret. The Compute Next Secret with ID command uses the Secret, the ROM ID and the Challenge to perform the SHA-1 encryption algorithm. The Compute Next Secret command uses the Secret and the Challenge, but replaces the ROM ID with 0xFF's to perform the algorithm. The user can select which command is used by left-clicking on the appropriate button.

Note: The user must provide a 15 Volt Programming voltage to the VPP pad of the evaluation board in order for the Secret to be altered.

### The ROM ID

ROM ID			
26	D4	EC	34
C6	00	00	10

The ROM ID code is unique for each DS2703 device and cannot be changed by the User. The user can load the ROM ID of the device into the ROM ID text boxes by using the Read ROM or Search ROM functions described in the 1 Wire Commands section.

### The Challenge

Challenge			
26	C0	F8	BA
40	0D	C8	F5

Write Challenge

Randomize Challenge

The Challenge is a random 8 byte block that is used by the DS2703 to perform the SHA-1 encryption algorithm. Each time the SHA-1 is performed, either during a Compute Next Secret or a Compute MAC (see below) the Challenge is left in an undefined state. Therefore the user must left-click on the Write Challenge button prior to each computation in order to get a proper SHA-1 calculation.

The user can left-click on the Randomize Challenge button to load a random challenge into the Challenge text boxes. Left-clicking this button does not write the Challenge to the device. It is still required that the user left-click on the Write Challenge button to write the challenge to the device.

### The MAC

MAC				
A	D4	20	12	1E
B	03	61	87	74
C	08	AB	A2	0D
D	3B	05	F0	21
E	F6	BB	76	95

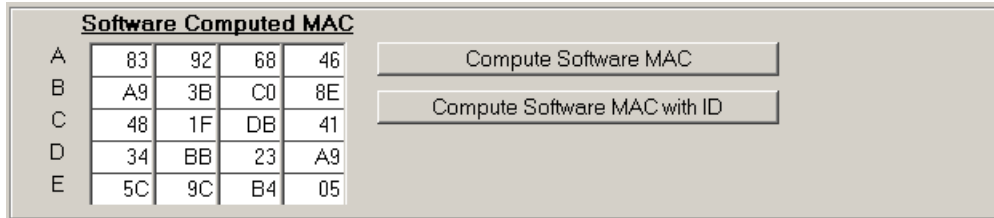
Compute MAC

Compute MAC with ID

Verified

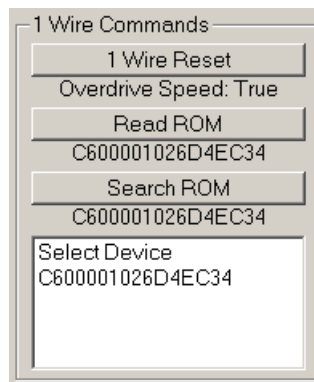
The MAC is the 20 byte message digest that is the result of the SHA-1 encryption algorithm. When the Secret has been loaded properly, the ROM ID has been read, and the Challenge has been written to the device, left-clicking on the Compute MAC or Compute MAC with ID button will perform the SHA-1 calculation, read back the results, and then display them in the MAC text boxes.

The software will also perform the SHA-1 calculations based on the Secret, ROM ID (if desired) and Challenge text box values and compare its results to the results read back from the DS2703. If the MAC computed by the software and MAC read back from the DS2703 match, then the software will display “Verified”. If they do not match, “Not Verified” will be displayed. The user can view the Software Computed MAC by using the Tools Menu – Show Software Computed MAC. The user also can compute the MAC with the DS2703, then change 1 bit in one of the text boxes of the Secret, and then Compute the MAC with software to see how big of a difference changing 1 bit will make.



If the MAC is “Not Verified”, make sure that the Challenge was written prior to computing the MAC. If the “Not Verified” error continues, perhaps the Secret in the device does not match what is in the Secret text boxes and the user will need to Load a Secret into the DS2703.

## 1-Wire COMMANDS



### 1 Wire Reset

All communication to the DS2703 occurs over the 1-Wire bus, but the device can be configured to communicate at Regular 1-Wire Speed or at Over Drive Speed. The user can left-click on the 1-Wire Reset button and a 1-Wire Reset will be generated at the proper 1-Wire speed. The caption below the 1-Wire Reset button will display which 1-Wire Speed is used. It will also indicate whether a device on the bus responded to the 1-Wire Reset with a Presence Detect pulse at the proper 1-Wire speed.

### Read ROM

The user can left-click on the Read ROM button to perform the Read ROM function. The result of the Read ROM will be displayed in the caption below the button. If a single 1-Wire device is located on the bus, the device’s ROM ID will be displayed. If more than one 1-Wire device is on the bus, the result will be a logical AND of the ROM ID’s of all of the devices on the bus. The result will also be displayed in the ROM ID text boxes in the SHA-1 Commands Sections.

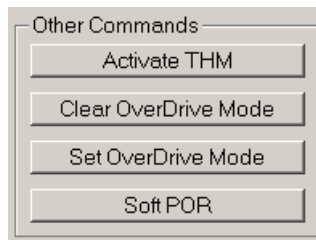
### Search ROM

If one or more 1-Wire devices are on the bus, the user can left-click on the Search ROM button to perform the Search ROM Routine. This will find all 1-Wire devices on the 1-Wire bus communicating at the specified 1-Wire speed and will display the results in the list box. The user can left-click on any of the ROM ID’s in the text box to select that device. The selected ROM will appear in the caption below



the Search ROM button as well as be displayed in the ROM ID text boxes in the SHA-1 Commands Sections. This ROM ID will be used for the Match ROM portion of the communication. If no ROM ID is selected, a Skip ROM command will be used.

## OTHER COMMANDS



The Other Commands Section contains 4 other commands of the DS2703: Activate THM, Clear Over Drive Mode, Set Over Drive Mode, and Soft POR.

### Activate THM

The user can left-click on the Activate THM button to send the Activate THM command to the device, which drives the THM pin low. This allows the user to measure the voltage of the thermistor divider at the THM pad of the evaluation board. The software will drive the GPIO pin (Pin 2 of the RJ-11 connector) low in order to disable DQ by opening the analog switch (MAX4676) on the evaluation board, as shown in Figure 1. Measurement of the thermistor divider must be performed within 100mS of the command being sent to the device. Therefore, the software will send a low pulse onto the Trigger (TGRG) pad of the evaluation board to notify the host system to make the thermistor measurement. Figure 3 below shows the timing of this sequence.

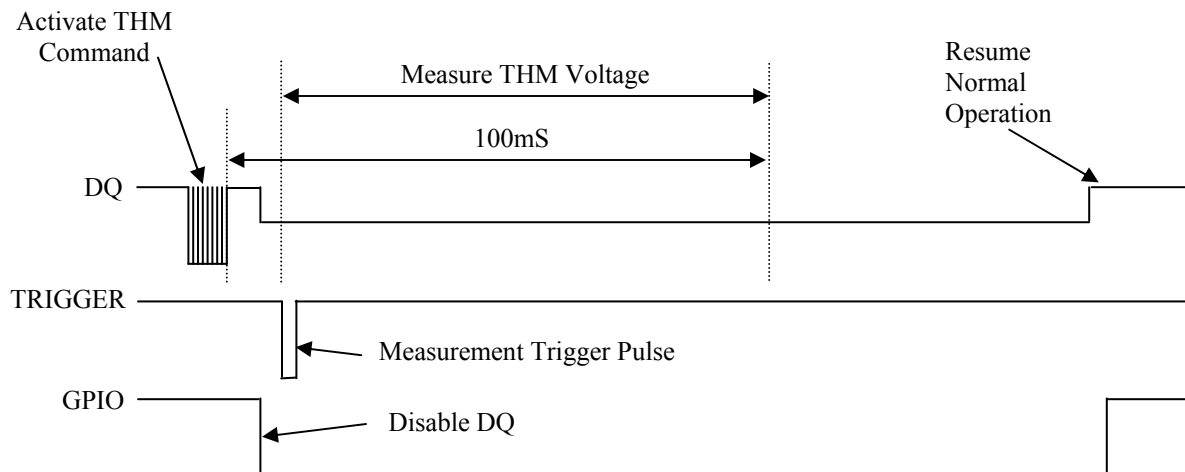


Figure 3: Sequence for measuring the thermistor voltage

### Set/Clear Over Drive Mode

The user can left-click on the Clear Over Drive Mode or Set Over Drive Mode to send the command to the device to configure the device to communicate in Regular 1-Wire Speed or in Over Drive Speed. It is important that the software and the device are communicating at the same speed in order for these commands to have any affect. After either of these buttons has been clicked, the software will send the command at the current 1-Wire speed, and then will switch the software to the appropriate speed.

Note: The user must provide a 15 Volt Programming voltage to the evaluation board in order for the 1-Wire speed to be altered.

**Soft POR**

The final button in this section is the Soft POR button. The user can left-click on the Soft POR button to send the command to the device, which causes the device to be internally reset. The part goes through its Power On Reset procedure without actually cycling the power on the device.

**REVISION HISTORY**

<b>REVISION DATE</b>	<b>DESCRIPTION</b>	<b>PAGES CHANGED</b>
10/09	Changed the part number from DS2703K to DS2703EVKIT.	All