

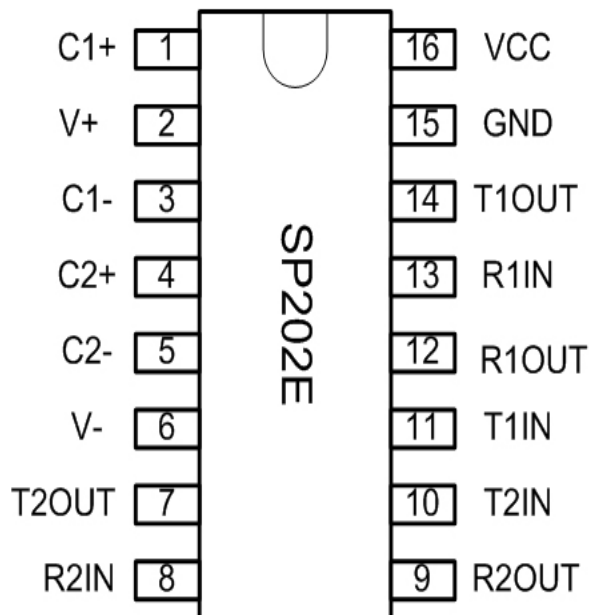


SP202E, SP232E, SP233E, SP310E and SP312E

High Performance RS-232 Line Drivers/Receivers

FEATURES

- Operates from a Single +5V Power Supply
- Meets all RS-232D and ITU V.28 Specifications
- Operates with 0.1µF to 10µF Ceramic Capacitors
- No External Capacitors required (SP233E)
- Low Power Shutdown (SP310E, SP312E)
- High Data Rate - 120kbps under load
- Low power CMOS Operation
- Lead Free packaging available
- Improved ESD Specifications:
+/-15kV Human Body Model



DESCRIPTION

The SP202E, SP232E, SP233E, SP310E and SP312E devices are a family of line driver and receiver pairs that meets the specifications of RS-232 and V.28 serial protocols. The devices are pin-to-pin compatible with Exar's SP232A, SP233A, SP310A and SP312A devices as well as popular industry standard pinouts. The ESD tolerance has been improved on these devices to over +/-15kV for Human Body Model. This series offer a 120kbps data rate under load, small ceramic type 0.1µF charge pump capacitors and overall ruggedness for commercial applications. Features include Exar's BiCMOS design which allowing low power operation without sacrificing performance. The series is available in lead free packages with commercial and industrial temperature ranges.

SELECTION TABLE

| Model | Number of RS-232 | | No. of RX active in Shutdown | No. of External 0.1µF Capacitors | Shutdown | WakeUp | TTL Tri-State |
|--------|------------------|-----------|------------------------------|----------------------------------|----------|--------|---------------|
| | Drivers | Receivers | | | | | |
| SP202E | 2 | 2 | 0 | 4 | No | No | No |
| SP232E | 2 | 2 | 0 | 4 | No | No | No |
| SP233E | 2 | 2 | 0 | 0 | No | No | No |
| SP310E | 2 | 2 | 0 | 4 | Yes | No | Yes |
| SP312E | 2 | 2 | 2 | 4 | Yes | Yes | Yes |

ABSOLUTE MAXIMUM RATINGS

This is a stress rating only and functional operation of the device at these ratings or any other above those indicated in the operation section of the specification is not implied. Exposure to absolute maximum ratings conditions for extended periods of time may affect reliability.

| | |
|----------------------------------|------------------------------------|
| Supply Voltage (V_{CC})..... | + 6V |
| $V+$ | (V_{CC} -0.3V) to +11.0V |
| $V-$ | -11.0V |
| Input Voltages | |
| T_{IN} | -0.3V to (V_{CC} + 0.3V) |
| R_{IN} | +/-15V |
| Output Voltages | |
| T_{OUT} | ($V+$, +0.3V) to ($V-$, -0.3V) |
| R_{OUT} | -0.3V to (V_{CC} + 0.3V) |

| | | |
|-----------------------------|-----------------|-----------------|
| Short Circuit duration | T_{OUT} | Continuous |
| Package Power Dissipation: | | |
| Plastic DIP..... | | 375mW |
| (derate 7mW/°C above +70°C) | | |
| Small Outline..... | | 375mW |
| (derate 7mW/°C above +70°C) | | |
| Storage Temperature..... | | -65°C to +150°C |

ELECTRICAL CHARACTERISTICS

V_{CC} = 5V \pm 10%, 0.1 μ F charge pump capacitors, T_{MIN} to T_{MAX} , unless otherwise noted, Typical values are V_{CC} = 5V and T_A =25°C

| PARAMETER | TEST CONDITIONS | MIN | TYP | MAX | UNIT |
|-----------------------------------|---|--------|-------|-------|------------|
| TTL INPUT | | | | | |
| Logic Threshold LOW | T_{IN} , \overline{EN} , \overline{SD} , ON/ \overline{OFF} | | | 0.8 | Volts |
| Logic Threshold HIGH | T_{IN} , \overline{EN} , \overline{SD} , ON/ \overline{OFF} | 2.0 | | | Volts |
| Logic Pull-Up Current | T_{IN} = 0V | | 15 | 200 | μ A |
| TTL OUTPUT | | | | | |
| Output Voltage LOW | I_{OUT} = 3.2mA: V_{CC} = +5V | | | 0.4 | Volts |
| Output Voltage HIGH | I_{OUT} = -1.0mA | 3.5 | | | Volts |
| Leakage Current **, T_A = +25°C | \overline{EN} = V_{CC} , $0V \leq V_{OUT} \leq V_{CC}$ | | 0.05 | +/-10 | μ A |
| RS-232 OUTPUT | | | | | |
| Output Voltage Swing | All Transmitter outputs loaded with 3k ohms to GND | +/-5.0 | +/-6 | | Volts |
| Output Resistance | V_{CC} = 0V, V_{OUT} = +/-2V | 300 | | | Ohms |
| Output Short Circuit Current | Infinite Duration | | +/-18 | | mA |
| Maximum Data Rate | C_L = 2500pF, R_L = 3k Ω | 120 | 240 | | kbps |
| RS-232 INPUT | | | | | |
| Voltage Range | | -15 | | +15 | Volts |
| Voltage Threshold LOW | V_{CC} = 5V, T_A =25°C | 0.8 | 1.2 | | Volts |
| Voltage Threshold HIGH | V_{CC} = 5V, T_A =25°C | | 1.7 | 2.8 | Volts |
| Hysteresis | V_{CC} = 5V, T_A =25°C | 0.2 | 0.5 | 1.0 | Volts |
| Resistance | T_A = 25°C, -15V $\leq V_{IN} \leq$ +15V | 3 | 5 | 7 | k Ω |

** SP310E and SP312E only

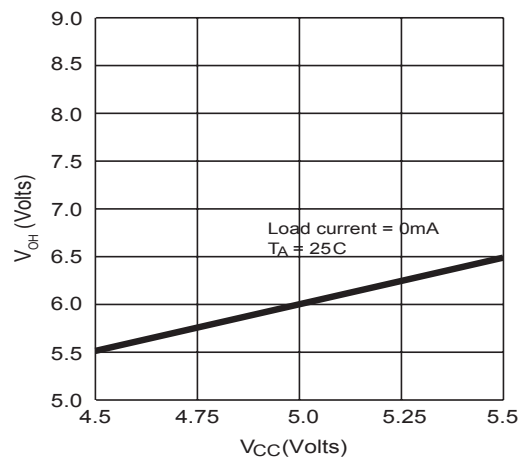
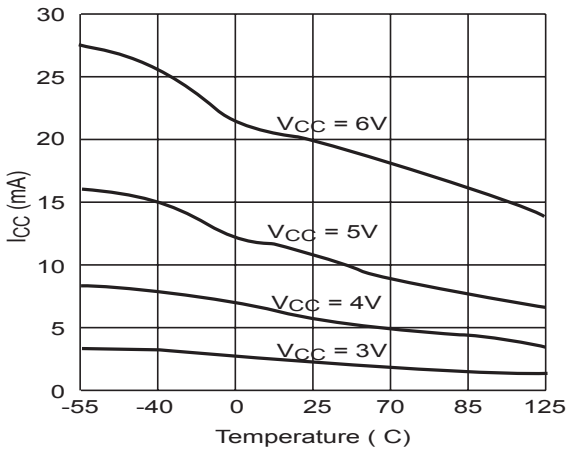
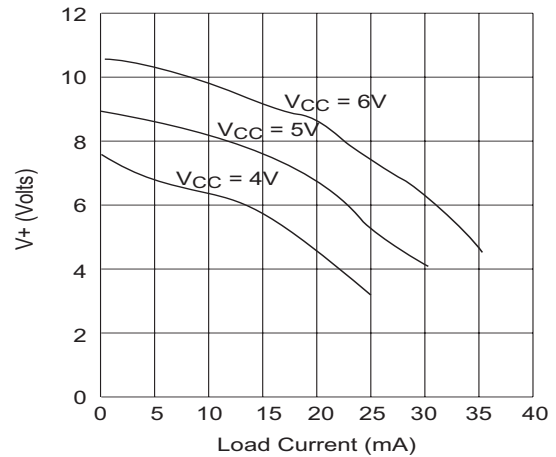
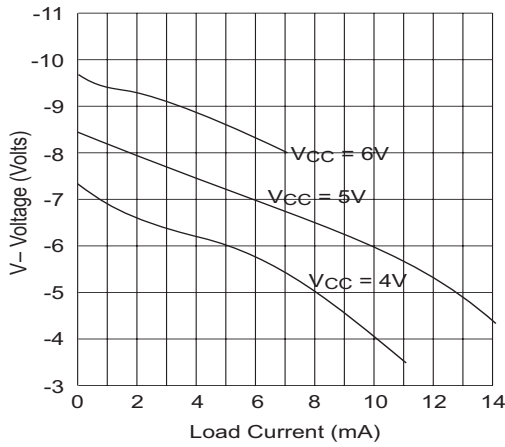
ELECTRICAL CHARACTERISTICS

$V_{CC} = 5V \pm 10\%$, $0.1\mu F$ charge pump capacitors, T_{MIN} to T_{MAX} , unless otherwise noted, Typical values are $V_{CC} = 5V$ and $T_A = 25^\circ C$

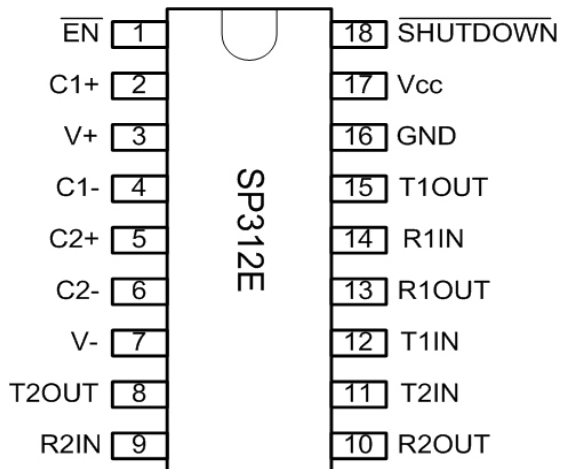
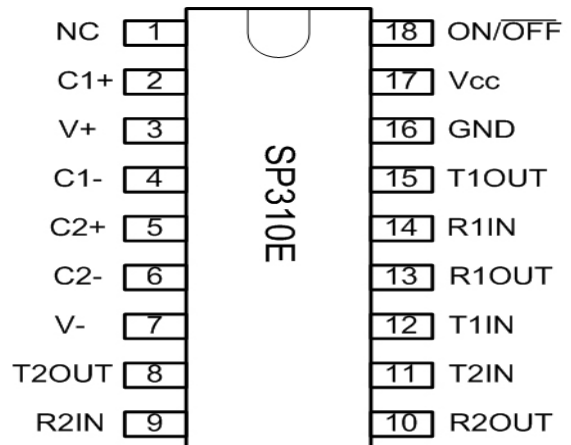
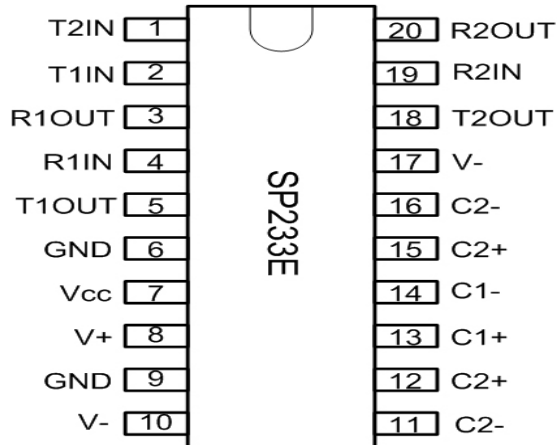
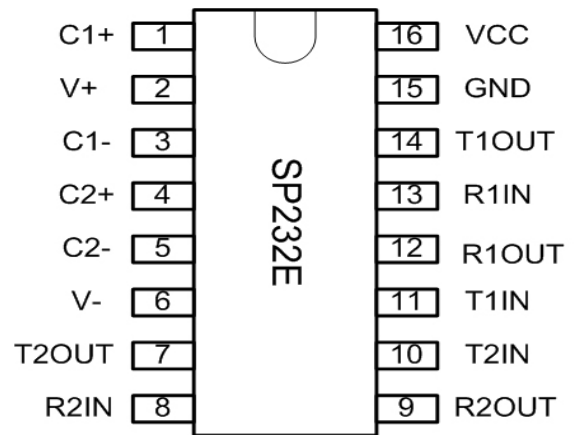
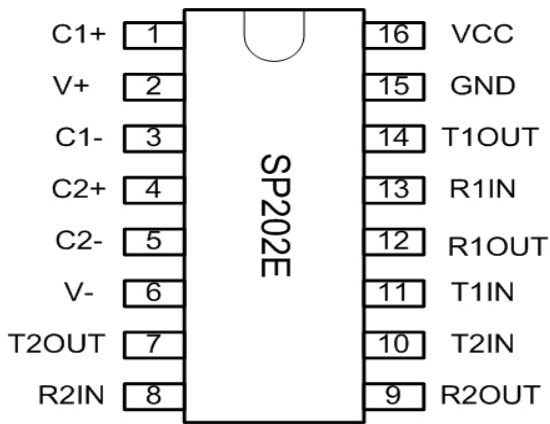
| Parameter | TEST CONDITIONS | MIN | TYP | MAX | Unit |
|---------------------------------------|--|-----|-----|-----|-----------|
| DYNAMIC CHARACTERISTICS | | | | | |
| Driver Propagation Delay | TTL to RS-232; $C_L = 50pF$ | | 1.5 | 3.0 | μs |
| Receiver Propagation Delay | RS-232 to TTL | | 0.1 | 1.0 | μs |
| Instantaneous Slew Rate | $C_L = 10pF$, $R_L = 3-7k\Omega$; $T_A = 25^\circ C$ | | | 30 | $V/\mu s$ |
| Transition Region Slew Rate | $C_L = 2500pF$, $R_L = 3k\Omega$; Measured from +3V to -3V or -3V to +3V | | 10 | | $V/\mu s$ |
| Output Enable Time ** | SP310E and SP312E only | | 400 | | ns |
| Output Disable Time ** | SP310A and SP312A only | | 250 | | ns |
| POWER REQUIREMENTS | | | | | |
| V_{CC} Power Supply Current | No Load, $V_{CC} = 5V$, $T_A = 25^\circ C$ | | 3 | 5 | mA |
| V_{CC} Power Supply Current, Loaded | All Transmitters $R_L = 3k\Omega$, $T_A = 25^\circ C$ | | 15 | | mA |
| Shutdown Supply Current ** | $V_{CC} = 5V$, $T_A = 25^\circ C$ | | 1 | 5 | μA |

** SP310E and SP312E only

PERFORMANCE CURVES



PIN ASSIGNMENTS



DETAILED DESCRIPTION

The SP202E, SP232E, SP233E, SP310E and SP312A devices are a family of line driver and receiver pairs that meet the EIA/TIA-232 and V.28 serial communication protocols. The ESD tolerance has been improved on these devices to over +/-15kV for Human Body Model. These devices are pin-to-pin compatible with Exar's 232A, 233A, 310A and 312A as well as popular industry standards. This family of parts offer a 120kbps data rate, 10V/ μ s slew rate and an on-board charge pump that operates from a single 5V supply using 0.1 μ F ceramic capacitors.

The SP202E, 232E, 233E, 310E and 312E devices have internal charge pump voltage converters which allow them to operate from a single +5V supply. The charge pumps will operate with polarized or non-polarized capacitors ranging from 0.1 to 10 μ F and will generate the +/-6V needed to generate the RS-232 output levels.

The SP233E design offers internal charge pump capacitors. The SP310E provides an ON/OFF input that simultaneously disables the internal charge pump circuit and puts all transmitter and receiver outputs into a high impedance state. The SP312E is identical to the SP310E but with separate tri-state and shutdown inputs

Theory Of Operation

The SP202E, SP232E, SP233E, SP310E and SP312E devices are made up of three basic circuit blocks: 1. Drivers, 2. Receivers, and 3. charge pump. Each block is described below.

Drivers

The drivers are inverting level transmitters that convert TTL or CMOS logic levels to EIA/TIA-232 levels with an inverted sense relative to the input logic levels. The typical driver output voltage swing is +/-6V. Even under worst case loading conditions of 3k ohms and 2500pF, the driver output is guaranteed to be +/-5.0V minimum, thus satisfying the RS-232 specification. The driver outputs are protected against infinite short-circuits to ground without degradation in reliability.

The slew rate of the driver output is internally limited to 30V/ μ s in order to meet the EIA standards (EIA-232F). Additionally, the driver outputs LOW to HIGH transition meets the monotonic output requirements of the standard.

Receivers

The receivers convert EIA/TIA-232 signal levels to inverted TTL or CMOS logic output levels. Since the input is usually from a transmission line, where long cable length and system interference can degrade the signal, the inputs have a typical hysteresis margin of 500mV. This ensures that the receiver is virtually immune to noisy transmission lines. The input thresholds are 0.8V minimum and 2.8V maximum, again well within the +/-3V RS-232 requirements. Should an input be left unconnected, an internal 5kohm pull-down resistor to ground will commit the output of the receiver to a HIGH state.

In actual system applications, it is quite possible for signals to be applied to receiver inputs before power is applied to the receiver circuitry. This occurs, for example, when a PC user attempts to print, only to realize that the printer wasn't turned on. In this case an RS-232 signal from the PC will appear on the receiver input at the printer. When the printer power is turned on, the receiver will operate normally. All of these devices are fully protected.

Charge pump

The charge pump is an Exar patented design and uses a unique approach compared to older less efficient designs. The charge pump requires 4 external capacitors and uses a four phase voltage shifting technique. The internal power supply consists of a dual charge pump that provides a driver output voltage swing of +/-6V. The internal oscillator controls the four phases of the voltage shifting. A description of each phase follows:

Phase 1

Vss charge store and double: The positive terminals of capacitors C1 and C2 are charged from Vcc with their negative terminals initially connected to ground. C1+ is then connected to ground and the stored charge from C1- is superimposed onto C2-. Since C2+ is still connected to Vcc the voltage potential across C2 is now 2 x Vcc.

Phase 2

Vss transfer and invert: Phase two connects the negative terminal of C2 to the Vss storage capacitor and the positive terminal of C2 to ground. This transfers the doubled and inverted (V-) voltage onto C4. Meanwhile, capacitor

C1 is charged from Vcc to prepare it for its next phase.

Phase 3

Vdd charge store and double: Phase three is identical to the first phase. The positive terminals of C1 and C2 are charged from Vcc with their negative terminals initially connected to ground. C1+ is then connected to ground and the stored charge from C1- is superimposed onto C2-. Since C2+ is still connected to Vcc the voltage potential across capacitor C2 is now 2 x Vcc.

Phase 4

Vdd transfer: The fourth phase connects the negative terminal of C2 to ground and the positive terminal of C2 to the Vdd storage capacitor. This transfers the doubled (V+) voltage onto C3. Meanwhile, capacitor C1 is charged from Vcc to prepare it for its next phase.

The clock rate for the charge pump typically operates at greater than 15kHz allowing the pump to run efficiently with small 0.1uF capacitors. Efficient operation depends on rapid charging and discharging of C1 and C2, therefore capacitors should be mounted as close as possible to the IC and have low ESR (equivalent series resistance). Inexpensive surface mount, ceramic capacitors are ideal for using on charge pump. If polarized capacitors are used the positive and negative terminals should be connected as shown in the typical operating circuit. A diagram of the individual phases are shown in Figure 1.

Shutdown (\overline{SD}) and Enable (\overline{EN}) features for the SP310E and SP312E

Both the SP310E and SP312E have a shutdown / standby mode to conserve power in battery-powered applications. To activate the shutdown mode, which stops the operation of the charge pump, a logic "0" is applied to the appropriate control line. For the SP310E, this control line is the ON/OFF (pin 18) input. Activating the shutdown mode puts the SP310E transmitter and receiver outputs into a high impedance condition. For the SP312E, this control line is the SHUTDOWN (pin18) input; this also puts the transmitter outputs in a tri-state mode. The receiver outputs can be tri-stated separately during normal operation or shutdown by applying a logic "1" on the \overline{EN} line (pin 1).

Wake-Up Feature for the SP312E

The SP312E has a wake-up feature that keeps the receivers active when the device is placed into shutdown. Table 1 defines the truth table for the Wake-Up function. When only the receivers are activated, the SP312E typically draws less than 5uA supply current. In the case of when a modem is interfaced to a computer in power down mode, the Ring Indicator (RI) signal from the modem would be used to "wake-up" the computer, allowing it to accept data transmission.

After the ring indicator has propagated through the SP312E receiver, it can be used to trigger the power management circuitry of the computer to power up the microprocessor, and bring the \overline{SD} pin of the SP312E to a logic high, taking it out of the shutdown mode. The receiver propagation delay is typically 1us. The enable time for V+ and V- is typically 2ms. After V+ and V- have settled to their final values, a signal can be sent back to the modem on the data terminal ready (DTR) pin signifying that the computer is ready to accept the transmit data.

| \overline{SD} | \overline{EN} | Power Up/Down | Receiver outputs |
|-----------------|-----------------|---------------|------------------|
| 0 | 0 | Down | Enabled |
| 0 | 1 | Down | Tri-state |
| 1 | 0 | Up | Enabled |
| 1 | 1 | Up | Tri-state |

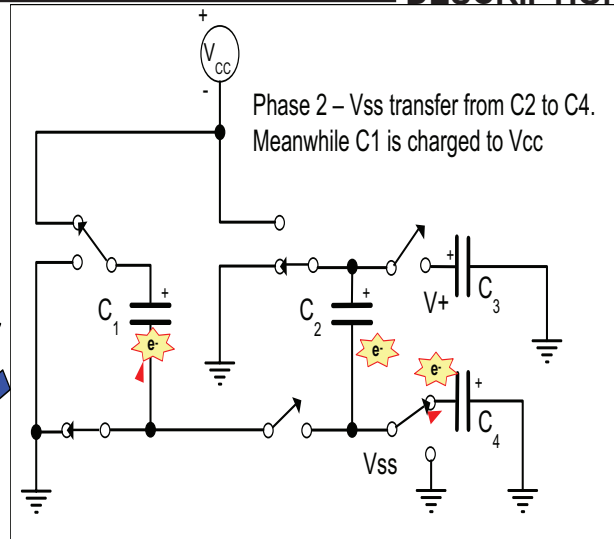
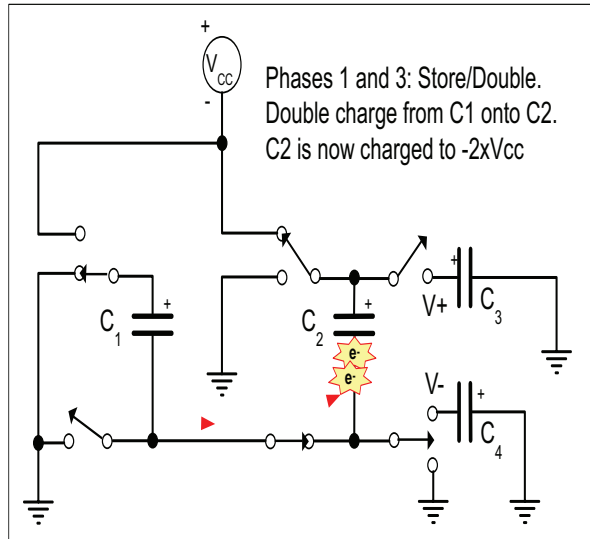
Table 1. Wake-up Function truth table

Pin Strapping for the SP233E

To operate properly, the following pairs of pins must be externally wired together as noted in table 2:

| Pins Wired Together | SOICW |
|---------------------|-----------------------------|
| Two V- pins | 10 & 17 |
| Two C2+ pins | 12 & 15 |
| Two C- pins | 11 & 16 |
| | Connect Pins 6 and 9 to GND |

Table 2. Pin Strapping table for SP233E



Patented 5,306,954

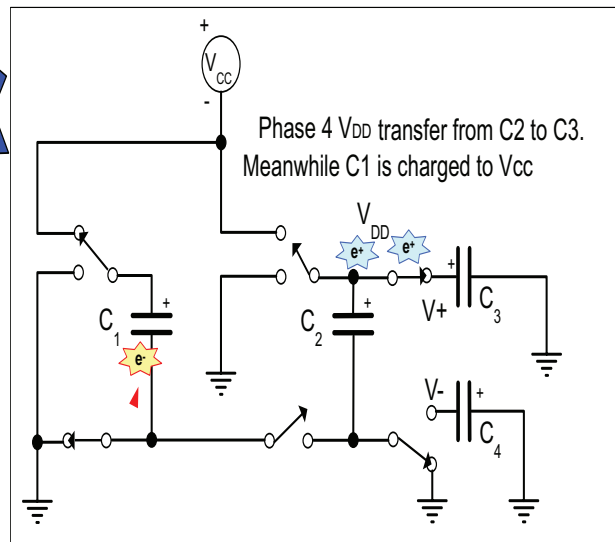


Figure 1. Charge pump phases

ESD TOLERANCE

The SP202E, 232E, 233E, 310E and 312E devices incorporate ruggedized ESD cells on all driver outputs and receiver input pins. The ESD structure is improved over our previous family for more rugged applications and environments sensitive to electro-static discharges and associated transients. The improved ESD tolerance is at least $\pm 15\text{kV}$ Human Body Model without damage nor latch-up.

The Human Body Model has been the generally accepted ESD testing method for semiconductors. This method is also specified in MIL-STD-883, Method 3015.7 for ESD testing.

The premise of this ESD test is to simulate the human body's potential to store electrostatic energy and discharge it to an integrated circuit. The simulation is performed by using a test model as shown in figure 2. This method will test the IC's capability to withstand an ESD transient during normal handling such as in manufacturing areas where the IC's tend to be handled frequently.

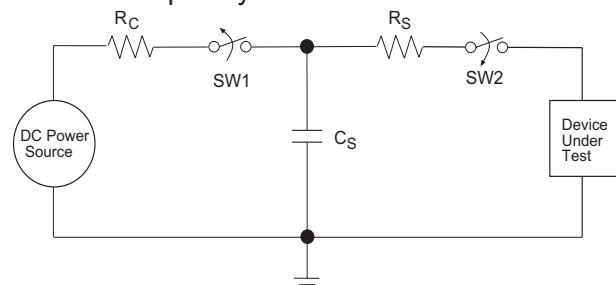


Figure 2. ESD test circuit for Human Body Model

TYPICAL PERFORMANCE CHARACTERISTICS

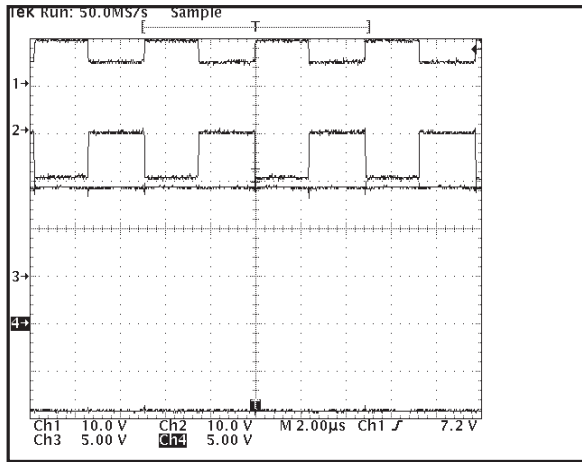


Figure 3, SP232E Charge pump waveforms-no load (1 = C1+, 2 = C2+, 3 = V+, 4 = V-).

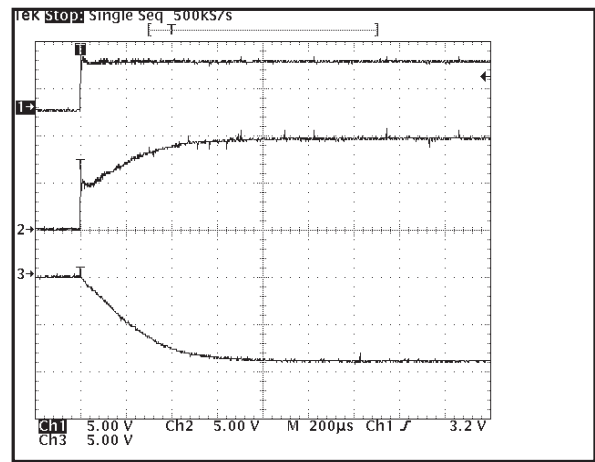


Figure 6, Charge pump outputs at start up (1 = Vcc, 2 = V+, 3 = V-).

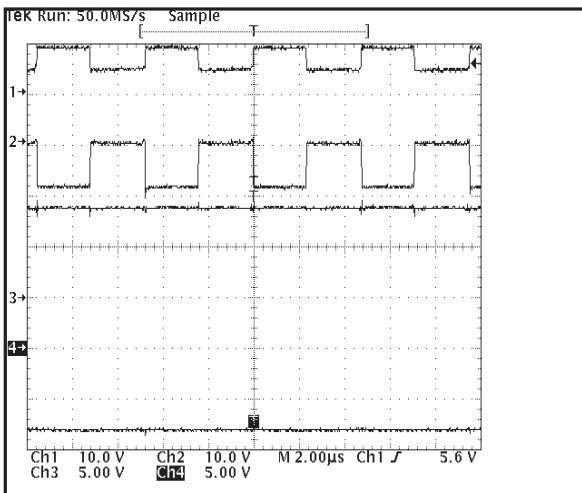


Figure 4, SP232E Charge pump waveforms when fully loaded with 3Kohms (1 = C1+, 2 = C2+, 3 = V+, 4 = V-).

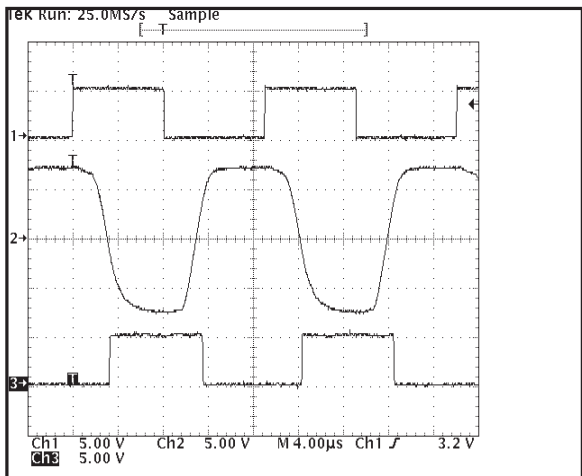


Figure 5, Loopback results at 60KHZ and 2500pF load (1 = TXin, 2 = TXout/RXin, 3 = RXout).

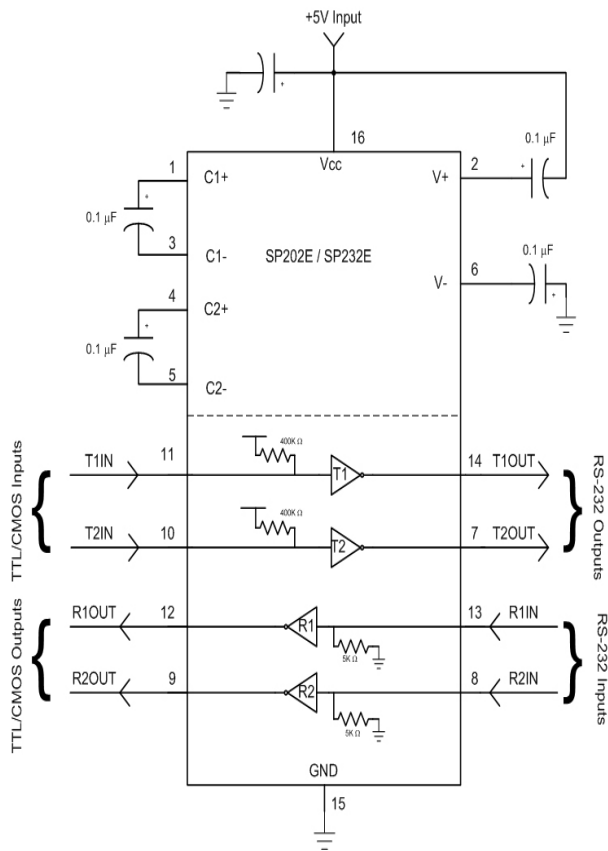


Figure 7, SP202E and SP232E Typical Application circuit

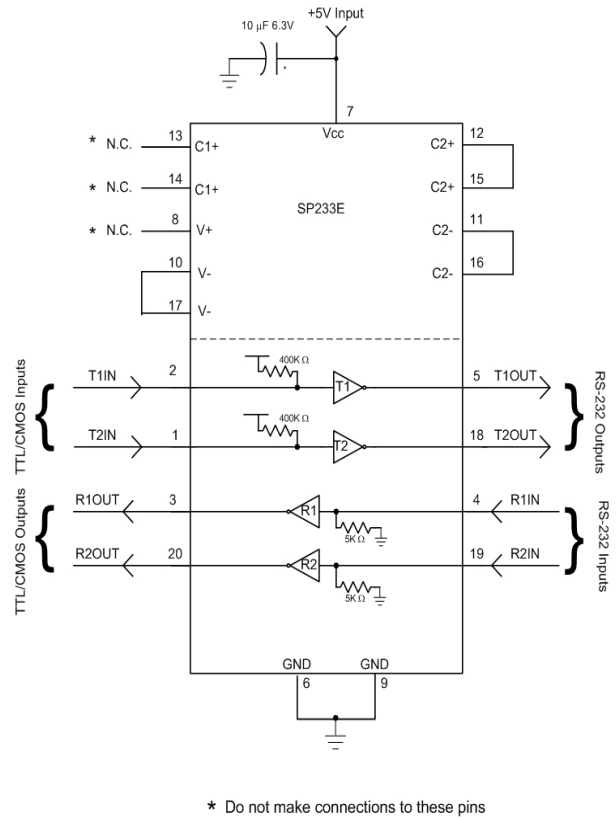


Figure 9, SP233ECT Typical Application circuit

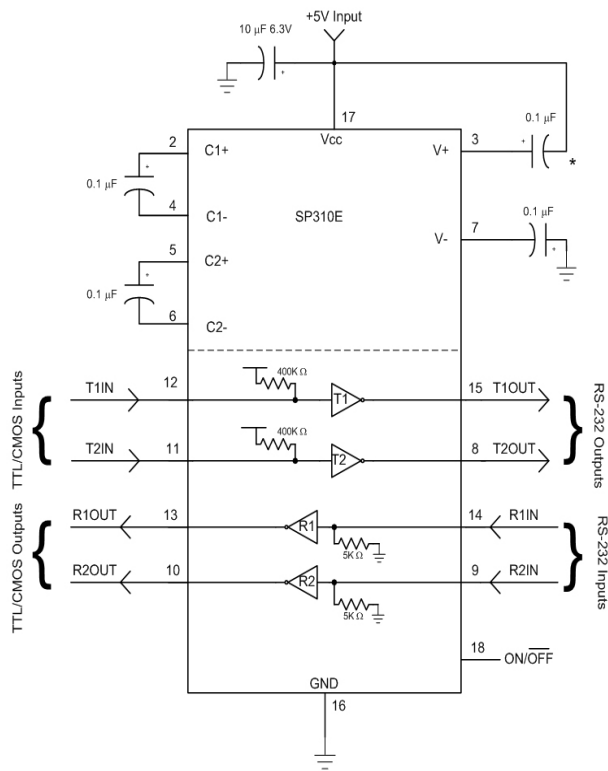


Figure 8, SP310E Typical Application circuit

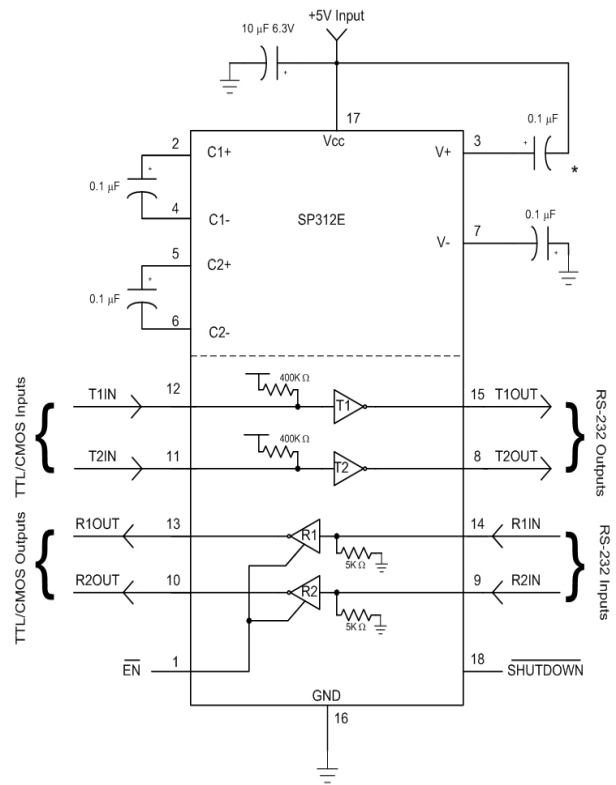
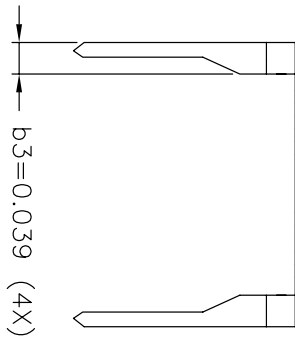
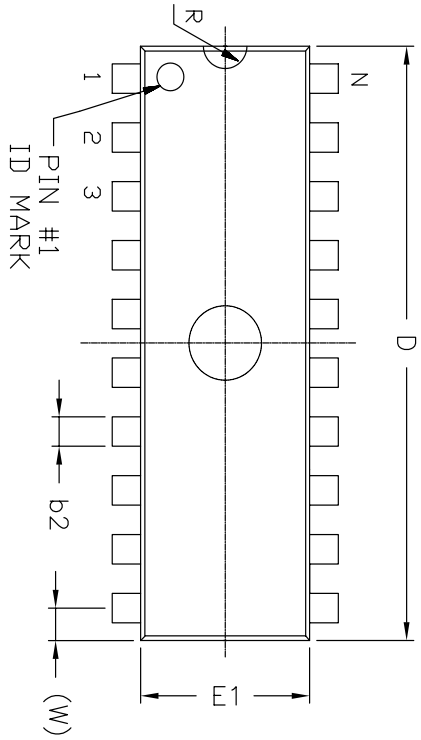


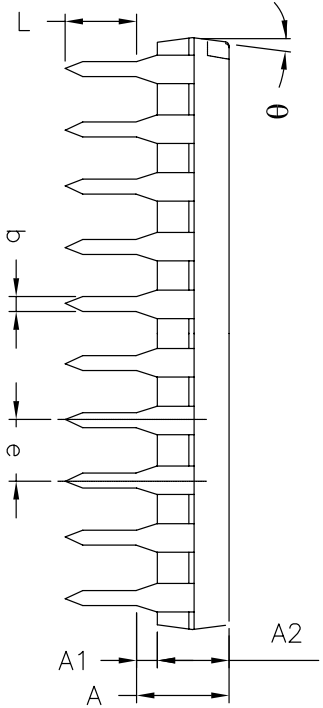
Figure 10, SP312E Typical Application circuit

| REVISION HISTORY | | | |
|------------------|--------------------------------------|----------|-------|
| REV. | DESCRIPTION | DATE | APP'D |
| A | DRAWING ORIGINATION | 11/21/05 | JL |
| B | DRAWING FORMAT MODIFICATION | 04/26/06 | JL |
| C | CHANGE DRAWING LOGO AND COMPANY NAME | 11/21/07 | JL |

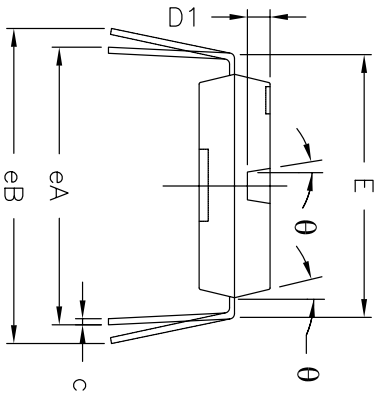
REMARKS:
FOR 8LD AND 16LD
ALL END LEADS (4X)
ARE HALF LEAD TYPES



Top View



Side View

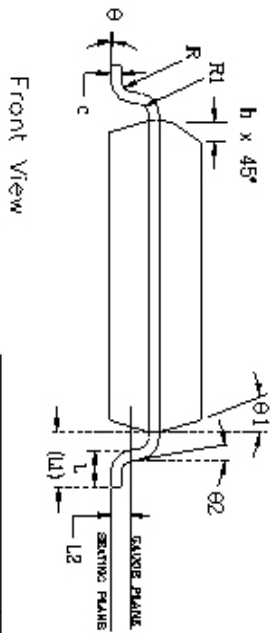
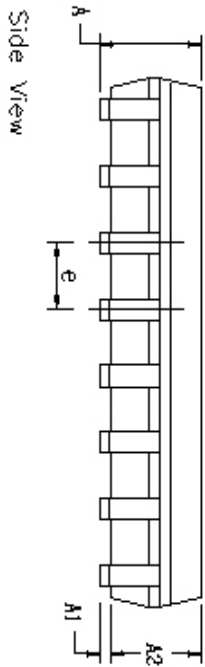
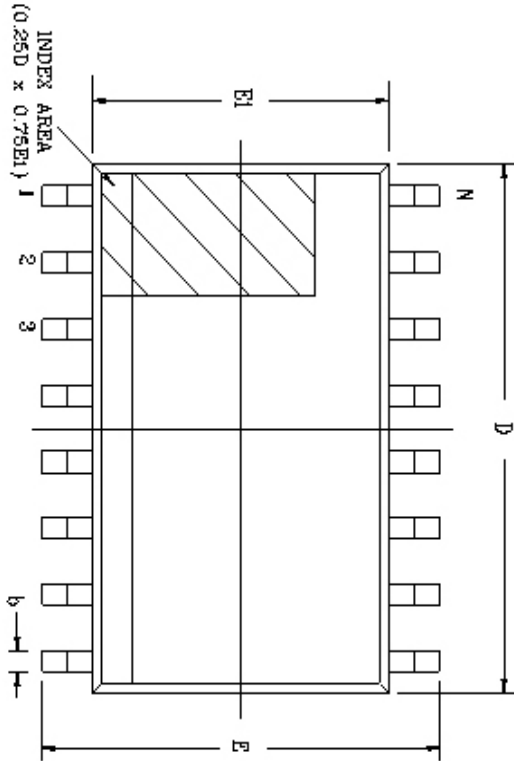


Front View

| SYMBOLS | DIMENSIONS IN INCH (Control Unit) | | | DIMENSIONS IN MM (Reference Unit) | | |
|---------|--------------------------------------|-------|-------|--------------------------------------|-------|-------|
| | MIN | NOM | MAX | MIN | NOM | MAX |
| A | — | — | 0.210 | — | — | 5.33 |
| A1 | 0.015 | — | — | 0.38 | — | — |
| A2 | 0.115 | 0.130 | 0.195 | 2.92 | 3.30 | 4.95 |
| b | 0.014 | 0.018 | 0.022 | 0.36 | 0.46 | 0.56 |
| b2 | 0.045 | 0.060 | 0.070 | 1.14 | 1.52 | 1.78 |
| c | 0.008 | 0.010 | 0.014 | 0.20 | 0.25 | 0.36 |
| D1 | 0.030 | — | 0.060 | 0.76 | — | 1.52 |
| E | 0.300 | 0.310 | 0.325 | 7.62 | 7.87 | 8.26 |
| E1 | 0.240 | 0.250 | 0.280 | 6.10 | 6.35 | 7.11 |
| e | 0.100 BSC | | | 2.54 BSC | | |
| eA | 0.300 BSC | | | 7.62 BSC | | |
| eB | — | — | 0.430 | — | — | 10.92 |
| L | 0.115 | 0.130 | 0.150 | 2.92 | 3.30 | 3.81 |
| W | 0.075 REF | | | 1.91 REF | | |
| R | 0.030 BSC | | | 0.76 BSC | | |
| theta | 4° | 7° | 10° | 4° | 7° | 10° |
| D | 0.735 | 0.755 | 0.775 | 18.67 | 19.18 | 19.69 |
| N | 16 | | | 16 | | |

| | | | |
|---------------------|----------------|-------------------------|---------------|
| | | EXAR CORPORATION | |
| | | | |
| Packaging Approval: | | Drawing No: | |
| By: JL | Date: 11/21/07 | Revision: C | Sheet: 1 OF 1 |

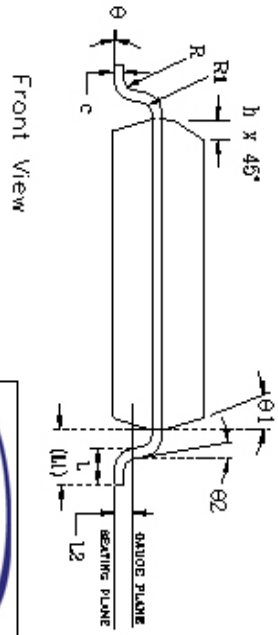
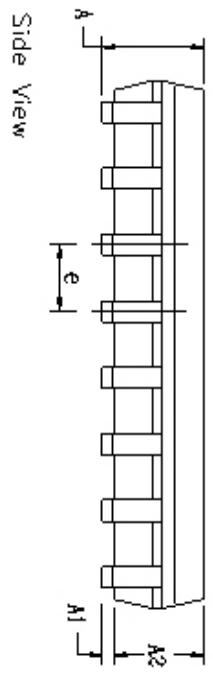
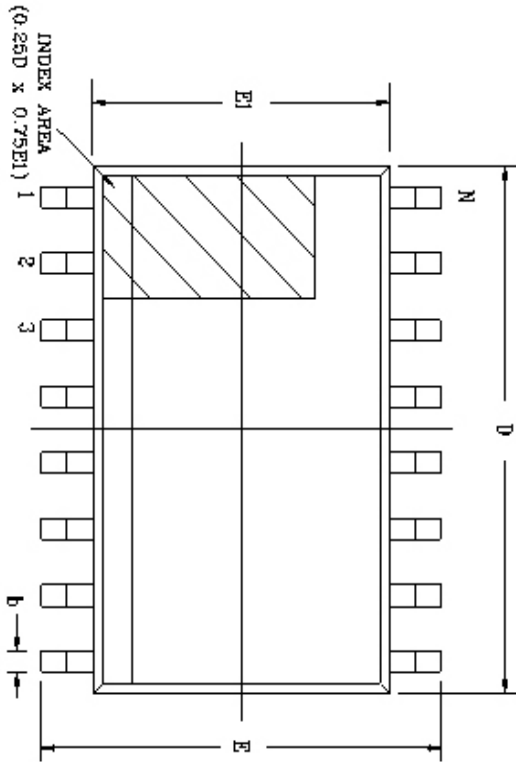
| REVISION HISTORY | | | |
|------------------|--------------------------------------|----------|-------|
| REV. | DESCRIPTION | DATE | APP'D |
| A | DRAWING ORIENTATION | 04/24/06 | JL |
| B | CHANGE DRAWING LOGO AND COMPANY NAME | 11/28/07 | JL |



| 20 Pin SOICW | | JEDEC MS-013 | | Variation AC | |
|--------------|------------------------------------|--------------|--|--------------|-------|
| SYMBOLS | DIMENSIONS IN MM (Control Unit) | | DIMENSIONS IN INCH (Reference Unit) | | MAX |
| | MIN | NOM | MIN | NOM | |
| A | 2.35 | — | 0.093 | — | 0.104 |
| A1 | 0.10 | — | 0.004 | — | 0.012 |
| A2 | 2.05 | — | 0.081 | — | 0.100 |
| b | 0.31 | — | 0.012 | — | 0.020 |
| c | 0.20 | — | 0.008 | — | 0.013 |
| E | 10.30 | BSC | 0.406 | BSC | — |
| E1 | 7.50 | BSC | 0.295 | BSC | — |
| e | 1.27 | BSC | 0.050 | BSC | — |
| h | 0.25 | — | 0.010 | — | 0.030 |
| L | 0.40 | — | 1.27 | 0.016 | — |
| L1 | 1.40 | REF | 0.055 | REF | — |
| L2 | 0.25 | BSC | 0.010 | BSC | — |
| R | 0.07 | — | 0.003 | — | — |
| R1 | 0.07 | — | 0.003 | — | — |
| θ | 0° | — | 8° | 0° | 8° |
| φ1 | 5° | — | 15° | 5° | 15° |
| φ2 | 0° | — | 0° | — | — |
| D | 12.80 | BSC | 0.504 | BSC | — |
| N | 20 | — | 20 | — | — |

| | | | |
|---------------------|----------------|--------------------------|---------------|
| | | EXAR CORPORATION | |
| | | | |
| Packaging Approval: | | Drawing No: 20-PIN SOICW | |
| By: JL | Date: 11/28/07 | Revision: B | Sheet: 1 OF 1 |

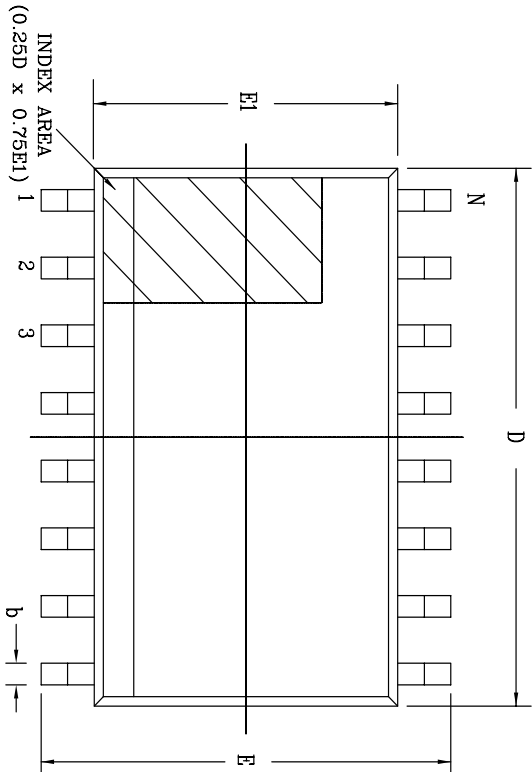
| REVISION HISTORY | | | |
|------------------|--------------------------------------|----------|--------|
| REV. | DESCRIPTION | DATE | APP'D. |
| A | DRAWING CORRECTION | 04/24/06 | JL |
| B | CHANGE DRAWING LOGO AND COMPANY NAME | 11/21/07 | JL |



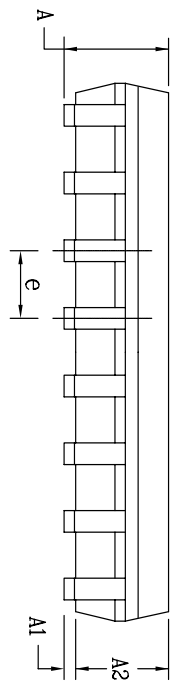
| 18 Pin SOICW JEDEC MS-013 Variation AB | | DIMENSIONS IN MM (Control Unit) | | DIMENSIONS IN INCH (Reference Unit) | | |
|--|-------|---------------------------------|------|-------------------------------------|-----|-------|
| SYMBOLS | MIN | NOM | MAX | MIN | NOM | MAX |
| A | 2.35 | — | 2.65 | 0.093 | — | 0.104 |
| A1 | 0.10 | — | 0.30 | 0.004 | — | 0.012 |
| A2 | 2.05 | — | 2.55 | 0.081 | — | 0.100 |
| b | 0.31 | — | 0.51 | 0.012 | — | 0.020 |
| c | 0.20 | — | 0.33 | 0.008 | — | 0.013 |
| E | 10.30 | BSC | — | 0.406 | BSC | — |
| E1 | 7.50 | BSC | — | 0.295 | BSC | — |
| e | 1.27 | BSC | — | 0.050 | BSC | — |
| h | 0.25 | — | 0.75 | 0.010 | — | 0.030 |
| L | 0.40 | — | 1.27 | 0.016 | — | 0.050 |
| L1 | 1.40 | REF | — | 0.055 | REF | — |
| L2 | 0.25 | BSC | — | 0.010 | BSC | — |
| R | 0.07 | — | — | 0.003 | — | — |
| R1 | 0.07 | — | — | 0.003 | — | — |
| theta | 0° | — | 8° | 0° | — | 8° |
| theta1 | 5° | — | 15° | 5° | — | 15° |
| theta2 | 0° | — | — | 0° | — | — |
| D | 11.55 | BSC | — | 0.455 | BSC | — |
| N | 18 | — | — | 18 | — | — |

| | | | |
|--------|----------------|---|---------------|
| | | EXAR CORPORATION 18 PIN SOICW PACKAGE OUTLINE | |
| | | | |
| By: JL | Date: 11/21/07 | Revision: B | Sheet: 1 OF 1 |

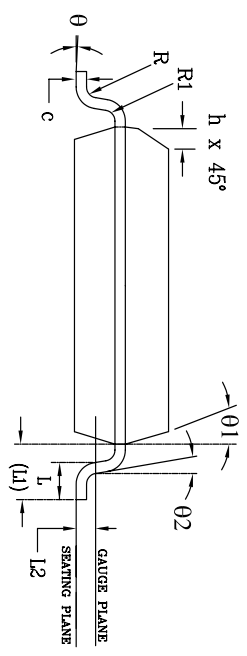
| REVISION HISTORY | | | |
|------------------|--------------------------------------|----------|-------|
| REV. | DESCRIPTION | DATE | APP'D |
| A | DRAWING ORIGINATOR | 11/05/05 | JL |
| B | DRAWING FORMAT MODIFICATION | 09/13/06 | JL |
| C | CHANGE DRAWING LOGO AND COMPANY NAME | 11/21/07 | JL |



Top View



Side View

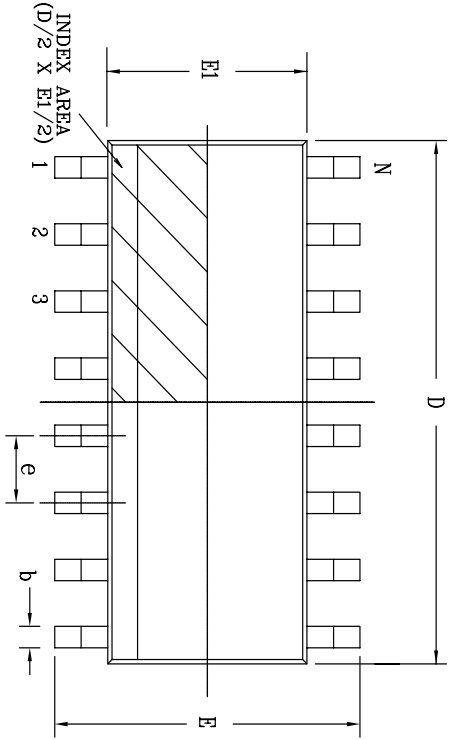


Front View

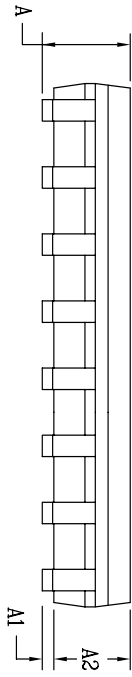
| SYMBOLS | DIMENSIONS IN MM (Control Unit) | | | DIMENSIONS IN INCH (Reference Unit) | | |
|---------|------------------------------------|-----|------|--|-----|-------|
| | MIN | NOM | MAX | MIN | NOM | MAX |
| A | 2.35 | — | 2.65 | 0.093 | — | 0.104 |
| A1 | 0.10 | — | 0.30 | 0.004 | — | 0.012 |
| A2 | 2.05 | — | 2.55 | 0.081 | — | 0.100 |
| b | 0.31 | — | 0.51 | 0.012 | — | 0.020 |
| c | 0.20 | — | 0.33 | 0.008 | — | 0.013 |
| E | 10.30 BSC | | | 0.406 BSC | | |
| E1 | 7.50 BSC | | | 0.295 BSC | | |
| e | 1.27 BSC | | | 0.050 BSC | | |
| h | 0.25 | — | 0.75 | 0.010 | — | 0.030 |
| L | 0.40 | — | 1.27 | 0.016 | — | 0.050 |
| L1 | 1.40 REF | | | 0.055 REF | | |
| L2 | 0.25 BSC | | | 0.010 BSC | | |
| R | 0.07 | — | — | 0.003 | — | — |
| R1 | 0.07 | — | — | 0.003 | — | — |
| theta | 0° | — | 8° | 0° | — | 8° |
| theta1 | 5° | — | 15° | 5° | — | 15° |
| theta2 | 0° | — | — | 0° | — | — |
| D | 10.30 BSC | | | 0.405 BSC | | |
| N | 16 | | | 16 | | |

| | | | |
|---------------------|----------------|------------------------------|---------------|
| | | EXAR CORPORATION | |
| | | 16 PIN SOICW PACKAGE OUTLINE | |
| Packaging Approval: | | Drawing No: | 16-PIN SOICW |
| By: JL | Date: 11/21/07 | Revision: C | Sheet: 1 OF 1 |

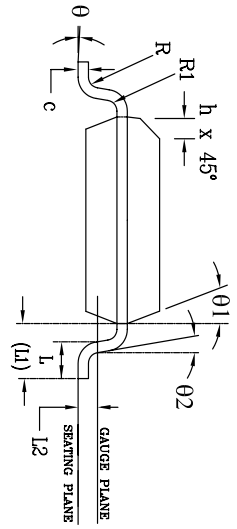
| REVISION HISTORY | | | |
|------------------|--------------------------------------|----------|--------|
| REV. | DESCRIPTION | DATE | APP'D. |
| A | DRAWING ORIGINATION | 10/12/05 | JL |
| B | DRAWING FORMAT MODIFICATION | 07/19/06 | JL |
| C | CHANGE DRAWING LOGO AND COMPANY NAME | 11/21/07 | JL |



Top View



Side View



Front View

| 16 Pin SOICN | | JEDEC MS-012 | | Variation AC | | |
|--------------|------------------------------------|--------------|------|--|-----|-------|
| SYMBOLS | DIMENSIONS IN MM (Control Unit) | | | DIMENSIONS IN INCH (Reference Unit) | | |
| | MIN | NOM | MAX | MIN | NOM | MAX |
| A | 1.35 | — | 1.75 | 0.053 | — | 0.069 |
| A1 | 0.10 | — | 0.25 | 0.004 | — | 0.010 |
| A2 | 1.25 | — | 1.65 | 0.049 | — | 0.065 |
| b | 0.31 | — | 0.51 | 0.012 | — | 0.020 |
| c | 0.17 | — | 0.25 | 0.007 | — | 0.010 |
| E | 6.00 BSC | | | 0.236 BSC | | |
| E1 | 3.90 BSC | | | 0.154 BSC | | |
| e | 1.27 BSC | | | 0.050 BSC | | |
| h | 0.25 | — | 0.50 | 0.010 | — | 0.020 |
| L | 0.40 | — | 1.27 | 0.016 | — | 0.050 |
| L1 | 1.04 REF | | | 0.041 REF | | |
| L2 | 0.25 BSC | | | 0.010 BSC | | |
| R | 0.07 | — | — | 0.003 | — | — |
| R1 | 0.07 | — | — | 0.003 | — | — |
| θ | 0° | — | 8° | 0° | — | 8° |
| θ1 | 5° | — | 15° | 5° | — | 15° |
| θ2 | 0° | — | — | 0° | — | — |
| D | 9.90 BSC | | | 0.390 BSC | | |
| N | 16 | | | 16 | | |

| | | | |
|---------------------|----------------|-------------------------|---------------|
| | | EXAR CORPORATION | |
| | | | |
| Packaging Approv'd: | | Drawing No: | |
| By: JL | Date: 11/21/07 | Revision: C | Sheet: 1 OF 1 |

ORDERING INFORMATION

| Part number | Temperature range | Package Type |
|---------------|-------------------|--------------|
| SP202ECN-L | 0°C to +70°C | 16 pin NSOIC |
| SP202ECN-L/TR | 0°C to +70°C | 16 pin NSOIC |
| SP202ECP-L | 0°C to +70°C | 16 pin PDIP |
| SP202ECT-L | 0°C to +70°C | 16 pin SOICW |
| SP202ECT-L/TR | 0°C to +70°C | 16 pin SOICW |
| SP202EEN-L | -40°C to +85°C | 16 pin NSOIC |
| SP202EEN-L/TR | -40°C to +85°C | 16 pin NSOIC |
| SP202EEP-L | -40°C to +85°C | 16 pin PDIP |
| SP202EET-L | -40°C to +85°C | 16 pin SOICW |
| SP202EET-L/TR | -40°C to +85°C | 16 pin SOICW |
| SP232ECN-L | 0°C to +70°C | 16 pin NSOIC |
| SP232ECN-L/TR | 0°C to +70°C | 16 pin NSOIC |
| SP232ECP-L | 0°C to +70°C | 16 pin PDIP |
| SP232ECT-L | 0°C to +70°C | 16 pin SOICW |
| SP232ECT-L/TR | 0°C to +70°C | 16 pin SOICW |
| SP232EEN-L | -40°C to +85°C | 16 pin NSOIC |
| SP232EEN-L/TR | -40°C to +85°C | 16 pin NSOIC |
| SP232EEP-L | -40°C to +85°C | 16 pin PDIP |
| SP232EET-L | -40°C to +85°C | 16 pin SOICW |
| SP232EET-L/TR | -40°C to +85°C | 16 pin SOICW |
| SP233ECT-L | 0°C to +70°C | 20 pin SOICW |
| SP233ECT-L/TR | 0°C to +70°C | 20 pin SOICW |
| SP233EET-L | -40°C to +85°C | 20 pin SOICW |
| SP233EET-L/TR | -40°C to +85°C | 20 pin SOICW |
| SP310ECT-L | 0°C to +70°C | 18 pin SOICW |
| SP310ECT-L/TR | 0°C to +70°C | 18 pin SOICW |
| SP310EET-L | -40°C to +85°C | 18 pin SOICW |
| SP310EET-L/TR | -40°C to +85°C | 18 pin SOICW |
| SP312ECT-L | 0°C to +70°C | 18 pin SOICW |
| SP312ECT-L/TR | 0°C to +70°C | 18 pin SOICW |
| SP312EET-L | -40°C to +85°C | 18 pin SOICW |
| SP312EET-L/TR | -40°C to +85°C | 18 pin SOICW |

All packages are available as lead free (RoHS compliant).

| REVISION HISTORY | | |
|------------------|----------|---|
| Date | Revision | Description |
| 7-19-04 | A | Original Sipex Data sheet |
| 11-06-08 | 1.0.0 | Generate new Datasheet using Exar format and change revision to 1.0.0. Remove IEC Air and Contact ESD ratings. Update ordering information to remove EOL part numbers. Update charge pump description to show regulated charge pump design. |
| 06-03-11 | 1.0.1 | Remove SP310ECP-L and SP310EEP-L per PDN 110510-01 |

Notice

EXAR Corporation reserves the right to make changes to any products contained in this publication in order to improve design, performance or reliability. EXAR Corporation assumes no representation that the circuits are free of patent infringement. Charts and schedules contained herein are only for illustration purposes and may vary depending upon a user's specific application. While the information in this publication has been carefully checked; no responsibility, however, is assumed for inaccuracies.

EXAR Corporation does not recommend the use of any of its products in life support applications where the failure or malfunction of the product can reasonably be expected to cause failure of the life support system or to significantly affect its safety or effectiveness. Products are not authorized for use in such applications unless EXAR Corporation receives, in writing, assurances to its satisfaction that: (a) the risk of injury or damage has been minimized ; (b) the user assumes all such risks; (c) potential liability of EXAR Corporation is adequately protected under the circumstances.

Copyright 2011 EXAR Corporation

Datasheet June 2011

Send your serial transceiver technical inquiry with technical details to: serialtechsupport@exar.com

Reproduction, in part or whole, without the prior written consent of EXAR Corporation is prohibited.