

**SOT-25**



**Pin Definition:**

1. SW
2. Ground
3. Feedback
4. CTRL
5. Input

### General Description

The TS1518 is a step-up DC-DC converter; operates as current source to drive up to 6 white LEDs ( $V_{IN}$  at 3.0V) or 8 LEDs ( $V_{IN}$  at 3.5V) or 9 LEDs ( $V_{IN}$  at 3.5V) in series. Series connecting of the LEDs provides identical LED currents resulting in uniform brightness and eliminating the need for ballast resistors. The light intensity of these LEDs is proportional to the current passing through them. The TS1518 switches at a fixed frequency of ~930KHz, allowing the use of tiny, low profile inductors and capacitors to minimize footprint and cost in space consideration applications for cellular phone backlighting or other hand held equipment. The TS1518 can drive up to 9 white LEDs from a single Li-Ion battery. The wide input voltage range from 2.7V to 7V is ideal for portable with higher conversion efficiency. To control LED brightness, the LED current can be pulsed by applying a PWM (pulse width modulated) signal with a frequency range of 100Hz to 1KHz to the CTRL pin.

TS1518 has integrated Latched Over Voltage Protection that prevents damage to the device in case of a high impedance output due to faulty LED or open circuit caused by abnormal conditions.

### Features

- Built-in Internal Switch
- PWM dimming control 100Hz to 1KHz
- Analog dimming control
- 2.7V to 7V input range
- <1uA shutdown current
- Internal Soft Start
- Drives up to 9 White LEDs ( $V_{IN}$  at 3.5V)
- Over Voltage Protection 34V
- 100mV Low Reference Voltage

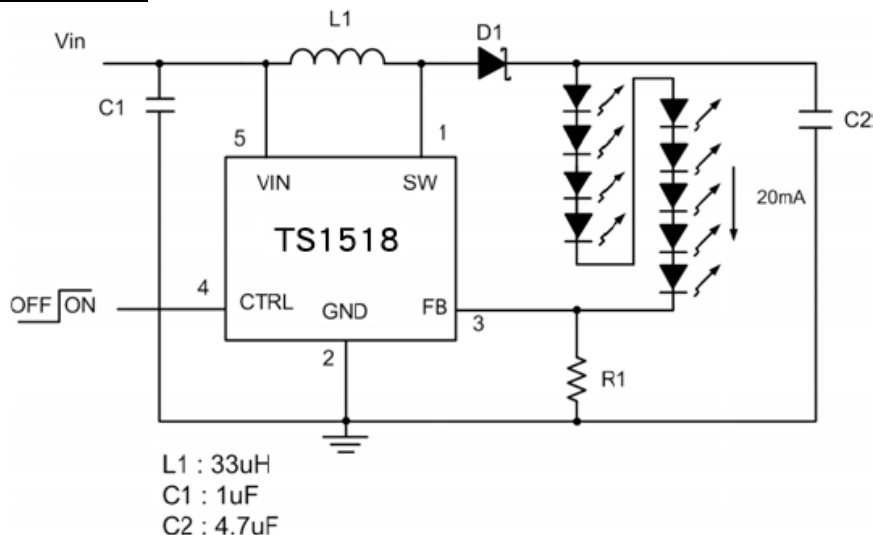
### Application

- Cellular Phones
- Digital Still Cameras
- Portable Electronics
- LCD Display Module
- White LED Backlighting
- PDAs, GPS terminals

### Ordering Information

Part No.	Package	Packing
TS1518CX5 RF	SOT-25	3Kpcs / 7" Reel

### Typical Application Circuit



### Absolute Maximum Rating

Parameter	Symbol	Limit	Unit
Input Voltage	$V_{IN}$	9	V
Supply Voltage (Recommended)	$V_{IN}$	2.7 ~ 7	V
FB Voltage	$V_{FB}$	5	V
SW Voltage	$V_{SW}$	32	V
CTRL Voltage	$V_{CTRL}$	5	V
Ambient Temperature Range	$T_A$	-40 to +85	°C
Junction Temperature Range	$T_J$	-40 to +125	°C

### Electrical Specifications (Ta = 25°C, $V_{IN}=3.3V$ , $C_{IN}=1\mu F$ , $C_{OUT}=10\mu F$ unless otherwise noted)

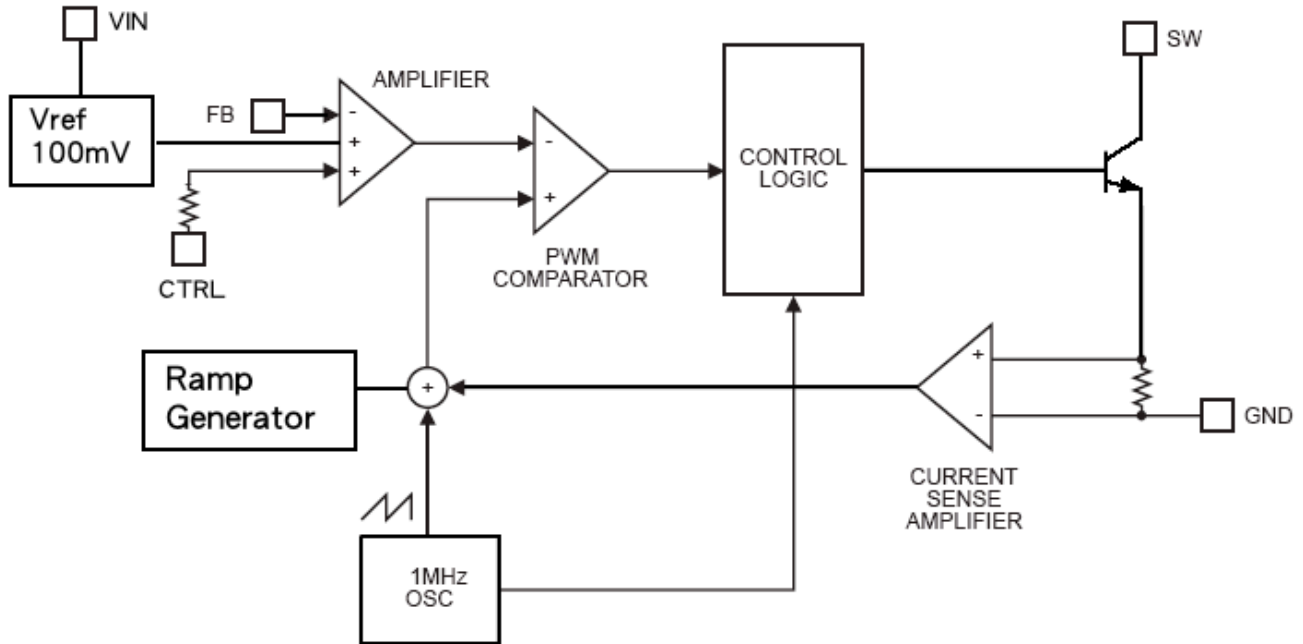
Function Parameter	Symbol	Test Conditions	Min	Typ	Max	Units
Input Voltage Range	$V_{IN}$		2.7	--	7	V
Quiescent Current (Not Switching)	$I_Q$	VFB = 0.3V	1.2	1.5	1.7	mA
Quiescent Current (Shutdown)		CTRL = 0V	--	0.3	1	µA
Feedback Voltage	$V_{FB}$	Iout=20mA, Vout=12.5V Circuit of Figure 1	90	100	110	mV
Switch Current Limit	$I_{CL}$	100% duty cycle	200	230	--	mA
	$I_{LIM}$	40% duty cycle	--	180	--	
FB Pin Bias Current	$I_B$	VFB=200mV	--	--	1	µA
Switching Frequency	$F_{RSW}$		900	930	960	KHz
Maximum Duty Cycle	$D_{TMX}$		--	--	85	%
Minimum Duty Cycle	$D_{TMN}$		20	--	25	%
Switch Vcesat	$V_{SAT}$	At Isw = 200mA	--	120	180	mV
Switch Leakage Current	$I_{LKG}$	Ctrl = 0.3V	--	1	--	µA
$V_{CTRL}$ for Full LED Current	$V_{CTL}$	Full On	1.7	--	--	V
		Full Off	--	--	0.3	V
CTRL Pin Bias Current	$I_{CTL}$	Ctrl = 2V	--	40	--	µA
Over Voltage Protection	OVP		--	34	--	V
Thermal Resistance	$\theta_{JA}$		--	220	--	°C/W

#### Note:

Absolute maximum ratings are limits beyond which damage to the device may occur.

The maximum allowable power dissipation is a function of maximum function temperature,  $T_J(max)$ , the junction to ambient thermal resistance,  $\theta_{JA}$ , and the ambient temperature. The maximum allowable power dissipation at any ambient temperature is calculated using:  $PD(MAX) = [T_J(max) - T_A] / \theta_{JA}$ . Exceeding the maximum allowable power dissipation will cause excessive die temperature. All limits at temperature extremes are guaranteed via correlation using standard statistical methods

**Functional Block**



**Pin Description**

Pin	Function	Description
1	SW	Switching Pin. This is the collector of the internal NPN power switch. Connect to inductor and diode. Minimize the metal trace area connected to this pin to reduce EMI.
2	Ground	Ground Pin. Connect directly to local ground plane.
3	Feedback	Feedback Pin. Reference voltage is 200mV. Connect LEDs and a resistor at this pin. LED current is determined by the resistance and CTRL voltage.
4	CTRL	Shutdown Pin and Dimming Control Pin. VCTRL > 1.8V generates full-scale LED current VCTRL < 0.4V chip is off Switching from 04V to 2.0V, PWM duty cycle controls the LED current
5	Input	Input Supply Pin. Bypass this pin with a capacitor as close to the device as possible

## Application Information

### Operation

The TS1518 uses a constant frequency, current mode control scheme to regulate the output LED current. Its operation can be understood by referring to the block diagram in Figure 3. At the start of each oscillator cycle, a voltage proportional to the switch current is added to a ramp output and the resulting sum is fed into the positive terminal of the PWM comparator (comparator-1). When this voltage exceeds the level of the comparator negative input, the peak current has been reached, and the SR latch (in Control Logic) is reset and turns off the power switch. The voltage at the negative input of the comparator comes from the output of the error amplifier. The error amplifier sets the correct peak current level to keep the output in regulation. If the error amplifier's output increases, more current is delivered to the output; if it decreases, less current is delivered.

### Soft Start and Current Limit

The internal soft start circuit minimizes the inrush current during turning on TS1518. The maximum switch current is limited to about 450 mA by the chip.

### Open Circuit Protection

The TS1518 has an internal latched off open-circuit protection circuit. When the LEDs are disconnected from the circuit or fail open, the TS1518 will shutdown automatically until input condition changes to bring it out of the shutdown mode.

### Inductor Selection

A 22 $\mu$ H inductor is recommended for most applications to drive more than 5 LEDs. Although small size and high efficiency are major concerns, the inductor should have low core losses at 1MHz and low DCR (copper wire resistance).

### Diode Selection

To maintain high efficiency, the average current rating of the Schottky diode should be large than the peak inductor current, IPK. Schottky diode with a low forward drop and fast switching speeds are ideal for increase efficiency in portable application. Choose a reverse breakdown of the Schottky diode large than the output voltage.

### Capacitor Selection

Choose low ESR capacitors for the output to minimize output voltage ripple. Multilayer capacitors are a good choice for this as well. A 1 $\mu$ F capacitor is sufficient for 2~6 LEDs, 2.2 $\mu$ F is for 7~8 LEDs and 4.7 $\mu$ F is for 9 LEDs applications. For additional bypassing, a 100nF ceramic capacitor can be used to shunt high frequency ripple on the input.

The input bypass capacitor  $C_{in}$ , as shown in Figure 1, must be placed close to the IC. This will reduce copper trace resistance which affects input voltage ripple of the IC. For additional input voltage filtering, a 100nF bypass capacitor can be placed in parallel with  $C_{in}$  to shunt any high frequency noise to ground. The output capacitor,  $C_{out}$ , should also be placed close to the IC. Any copper trace connections for the  $C_{out}$  capacitor can increase the series resistance, which directly effect output voltage ripple.

The feedback network, resistor R2 should be kept close to the FB pin to minimize copper trace connections that can inject noise into the system. The ground connection for the feedback resistor network should connect directly to an analog ground plane. The analog ground plane should tie directly to the GND pin. If no analog ground plane is available, the ground connection for the feedback network should tie directly to the GND pin. Trace connections made to the inductor and Schottky diode should be minimized to reduce power dissipation and increase overall efficiency.

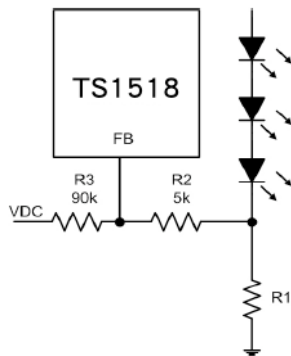
**Application Information (Continue)**

**LED Current and Dimming Control**

The LED's current is set by a resistor connected at FB pin to GND using:

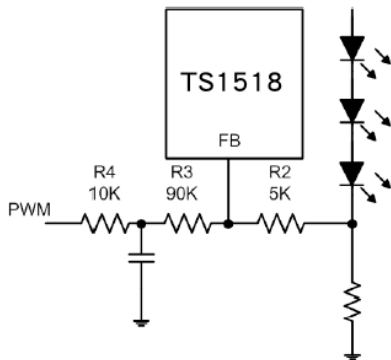
$$I_{LED} = \frac{100mV}{R_{LED}}$$

The maximum LED current set initially can be reduced by pulse width modulating the CTRL voltage from 0.4V to 1.8V. A better approach is to adjust the feedback voltage for dimming control. Either a DC level signal or a filtered PWM signal can be used to control the LED current as illustrated in below figures respectively. Using the above different scheme, the LED current can be controlled from 0% to 100% to its maximum value.



**Dimming Control using a DC Voltage**

VDC(V)	VFB	Iout(mA)
2	0	0
1.8	2.2	0.43
1.6	9.2	1.8
1.4	19.6	3.6
1.2	31.1	6
1	43.4	8.5
0.8	63	12.3
0.6	74	14.5
0.4	86.4	16.9
0.2	96.9	19
0	102	20

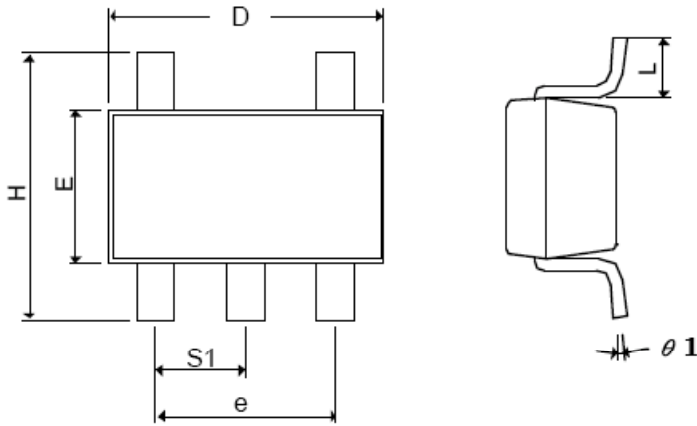


**Dimming Control using a Filtered PWM Signal**

Duty	Iout ( mA)
0%	20
20%	17.4
30%	15
40%	12.4
50%	10
60%	8
70%	6.4
80%	4.07
100%	0

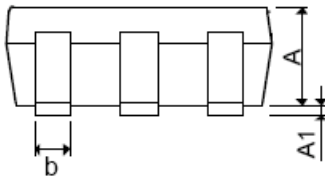
PWM : 2V ; 1KHz ; Vin=3.6V

**SOT-25 Mechanical Drawing**



DIM	MILLIMETERS		INCHES	
	MIN	MAX	MIN	MAX.
A+A1	0.09	1.25	0.0354	0.0492
B	0.30	0.50	0.0118	0.0197
C	0.09	0.25	0.0035	0.0098
D	2.70	3.10	0.1063	0.1220
E	1.40	1.80	0.0551	0.0709
E	1.90 BSC		0.0748 BSC	
H	2.40	3.00	0.09449	0.1181
L	0.35 BSC		0.0138 BSC	
Θ1	0°	10°	0°	10°
S1	0.95 BSC		0.0374 BSC	

**Front View**



### Notice

Specifications of the products displayed herein are subject to change without notice. TSC or anyone on its behalf, assumes no responsibility or liability for any errors or inaccuracies.

Information contained herein is intended to provide a product description only. No license, express or implied, to any intellectual property rights is granted by this document. Except as provided in TSC's terms and conditions of sale for such products, TSC assumes no liability whatsoever, and disclaims any express or implied warranty, relating to sale and/or use of TSC products including liability or warranties relating to fitness for a particular purpose, merchantability, or infringement of any patent, copyright, or other intellectual property right.

The products shown herein are not designed for use in medical, life-saving, or life-sustaining applications. Customers using or selling these products for use in such applications do so at their own risk and agree to fully indemnify TSC for any damages resulting from such improper use or sale.