

GENERAL DESCRIPTION

The Flicker-Free™ IS31LT3935 is a single stage current-mode LED driver optimized for high power factor and compatibility with all TRIAC dimmers. The PFC architecture enables excellent power factor over a wide range of operating line and load conditions, even with the simplest of inductor-based driver topologies, thereby reducing system cost and size while maximizing efficiency.

The IS31LT3935 LED controller features patent pending AccuDim™ flicker-free dimming technology that mimics the characteristics of an incandescent light bulb. It presents a dynamic impedance to the dimmer and integrates an active bleed circuit for true dimming performance across all dimmers.

The device is available in a tiny 10 lead DFN-EP (3mm × 3mm) package. It operates over the temperature range of -40°C to +85°C.

TYPICAL APPLICATIONS

- Dimmable Retrofit LED Lamps and Luminaries up to 30W
- Industrial and Commercial Lighting
- Offline LED Driver Modules and Bricks

FEATURES

- Smooth 0-100% Flicker-free Dimming Range
- Compatibility with all TRIAC Dimmers (Digital, Leading and Trailing-edge)
- Near-unity PFC without External PFC Circuitry
- Spread-Spectrum Switching for Reduced EMI
- Low 500µA Quiescent Current
- Protections:
 - Soft Start
 - Under-voltage, (Over-voltage) Lockout
 - Thermal Shutdown

DIMMING PERFORMANCE

- Power Factor = 0.99 at 13W output
- Power Factor = 0.91 at 1W output
- Efficiency: 87% from 120Vrms to 39Vdc at full power
- Efficiency: 85% from 120Vrms to 23Vdc at full power
- Efficiency: >82% down to 2W output
- 0~100% Light Output and anything in between
- No flicker over Full Dimming Range

TYPICAL APPLICATION CIRCUIT

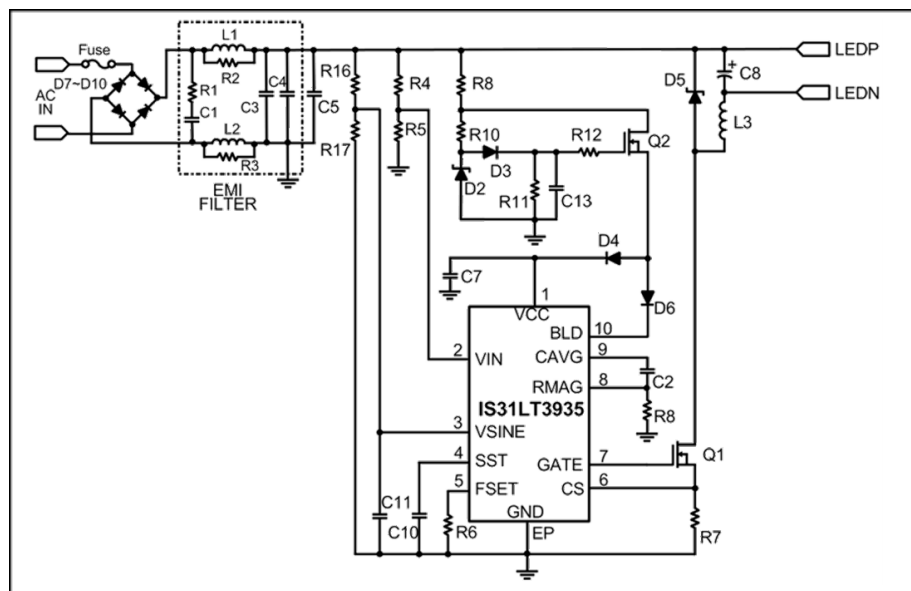


Figure 1 Typical Application Schematic

Copyright © 2013 Integrated Silicon Solution, Inc. All rights reserved. ISSI reserves the right to make changes to this specification and its products at any time without notice. ISSI assumes no liability arising out of the application or use of any information, products or services described herein. Customers are advised to obtain the latest version of this device specification before relying on any published information and before placing orders for products.

Integrated Silicon Solution, Inc. does not recommend the use of any of its products in life support applications where the failure or malfunction of the product can reasonably be expected to cause failure of the life support system or to significantly affect its safety or effectiveness. Products are not authorized for use in such applications unless Integrated Silicon Solution, Inc. receives written assurance to its satisfaction, that:

- a.) the risk of injury or damage has been minimized;
- b.) the user assume all such risks; and
- c.) potential liability of Integrated Silicon Solution, Inc is adequately protected under the circumstances