



PCU9955

16-channel U²Fm I²C-bus 57 mA constant current LED driver

Rev. 2 — 2 October 2012

Product data sheet

1. General description

The PCU9955 is an Ultra-Fast mode (UFm) I²C-bus controlled 16-channel constant current LED driver optimized for dimming and blinking 57 mA Red/Green/Blue/Amber (RGBA) LEDs in amusement products. Each LEDn output has its own 8-bit resolution (256 steps) fixed frequency individual PWM controller that operates at 31.25 kHz with a duty cycle that is adjustable from 0 % to 99.6 % to allow the LED to be set to a specific brightness value. An additional 8-bit resolution (256 steps) group PWM controller has both a fixed frequency of 122 Hz and an adjustable frequency between 15 Hz to once every 16.8 seconds with a duty cycle that is adjustable from 0 % to 99.6 % that is used to either dim or blink all LEDs with the same value.

Each LEDn output can be off, on (no PWM control), set at its individual PWM controller value or at both individual and group PWM controller values. The PCU9955 operates with a supply voltage range of 3 V to 5.5 V and the constant current sink LEDn outputs allow up to 40 V for the LED supply. The output current is adjustable with an 8-bit linear DAC from 225 μ A to 57 mA.

This device has built-in open, short load and overtemperature detection circuitry. The thermal shutdown feature protects the device when internal junction temperature exceeds the limit allowed for the process.

The PCU9955 device is the first LED controller device in a new Ultra Fast-mode (UFm) I²C-bus family. UFm I²C-bus devices offer higher frequency (up to 5 MHz). The UFm I²C-bus slave devices operate in receive-only mode. That is, only I²C writes to PCU9955 are supported. As such, there are no status registers in PCU9955. The PCU9955 allows significantly higher data transfer rate compared to the Fast-mode Plus versions (PCA9952/55).

Software programmable LED Group and three Sub Call I²C-bus addresses allow all or defined groups of PCU9955 devices to respond to a common I²C-bus address, allowing for example, all red LEDs to be turned on or off at the same time, thus minimizing I²C-bus commands. On power-up, PCU9955 will have a unique Sub Call address to identify it as a 16-channel LED driver. This allows mixing of devices with different channel widths. Four hardware address pins on PCU9955 allow up to 16 devices on the same bus.

The Software Reset (SWRST) function allows the master to perform a reset of the PCU9955 through the I²C-bus, identical to the Power-On Reset (POR) that initializes the registers to their default state causing the output current switches to be OFF (LED off). This allows an easy and quick way to reconfigure all device registers to the same condition.



2. Features and benefits

- 16 LED drivers. Each output programmable at:
 - ◆ Off
 - ◆ On
 - ◆ Programmable LED brightness
 - ◆ Programmable group dimming/blinking mixed with individual LED brightness
 - ◆ Programmable LEDn output enable delay to reduce EMI and surge currents
- 16 constant current output channels can sink up to 57 mA, tolerate up to 40 V when OFF
- Output current adjusted through an external resistor
- Output current accuracy
 - ◆ ±6 % between output channels
 - ◆ ±8 % between PCU9955 devices
- Thermal shutdown for overtemperature
- 5 MHz Ultra Fast-mode compatible I²C-bus interface
- 256-step (8-bit) linear programmable brightness per LEDn output varying from fully off (default) to maximum brightness using a 31.25 kHz PWM signal
- 256-step group brightness control allows general dimming (using a 122 Hz PWM signal) from fully off to maximum brightness (default)
- 256-step group blinking programmable from 15 Hz to 16.8 s and duty cycle from 0 % to 99.6 %
- Output state change programmable on the Acknowledge (bit 9, this bit is always set to 1 by I²C-bus master) or the STOP Command to update outputs byte-by-byte or all at the same time (default to 'Change on STOP').
- 4 hardware address pins allow 16 PCU9955 devices to be connected to the same I²C-bus and to be individually programmed
- 4 software programmable I²C-bus addresses (one LED Group Call address and three LED Sub Call addresses) allow groups of devices to be addressed at the same time in any combination (for example, one register used for 'All Call' so that all the PCU9955s on the I²C-bus can be addressed at the same time and the second register used for three different addresses so that 1/3 of all devices on the bus can be addressed at the same time in a group). Software enable and disable for each programmable I²C-bus address.
- Unique power-up default Sub Call address allows mixing of devices with different channel widths
- Software Reset feature (SWRST Call) allows the device to be reset through the I²C-bus
- 8 MHz internal oscillator requires no external components
- Internal power-on reset
- Noise filter on USDA/USCL inputs
- No glitch on LEDn outputs on power-up
- Low standby current
- Operating power supply voltage (V_{DD}) range of 3 V to 5.5 V
- 5.5 V tolerant inputs on non-LED pins
- -40 °C to +85 °C operation

- ESD protection exceeds 2000 V HBM per JESD22-A114 and 750 V CDM per JESD22-C101
- Latch-up testing is done to JEDEC Standard JESD78 Class II, Level B
- Package offered: HTSSOP28

3. Applications

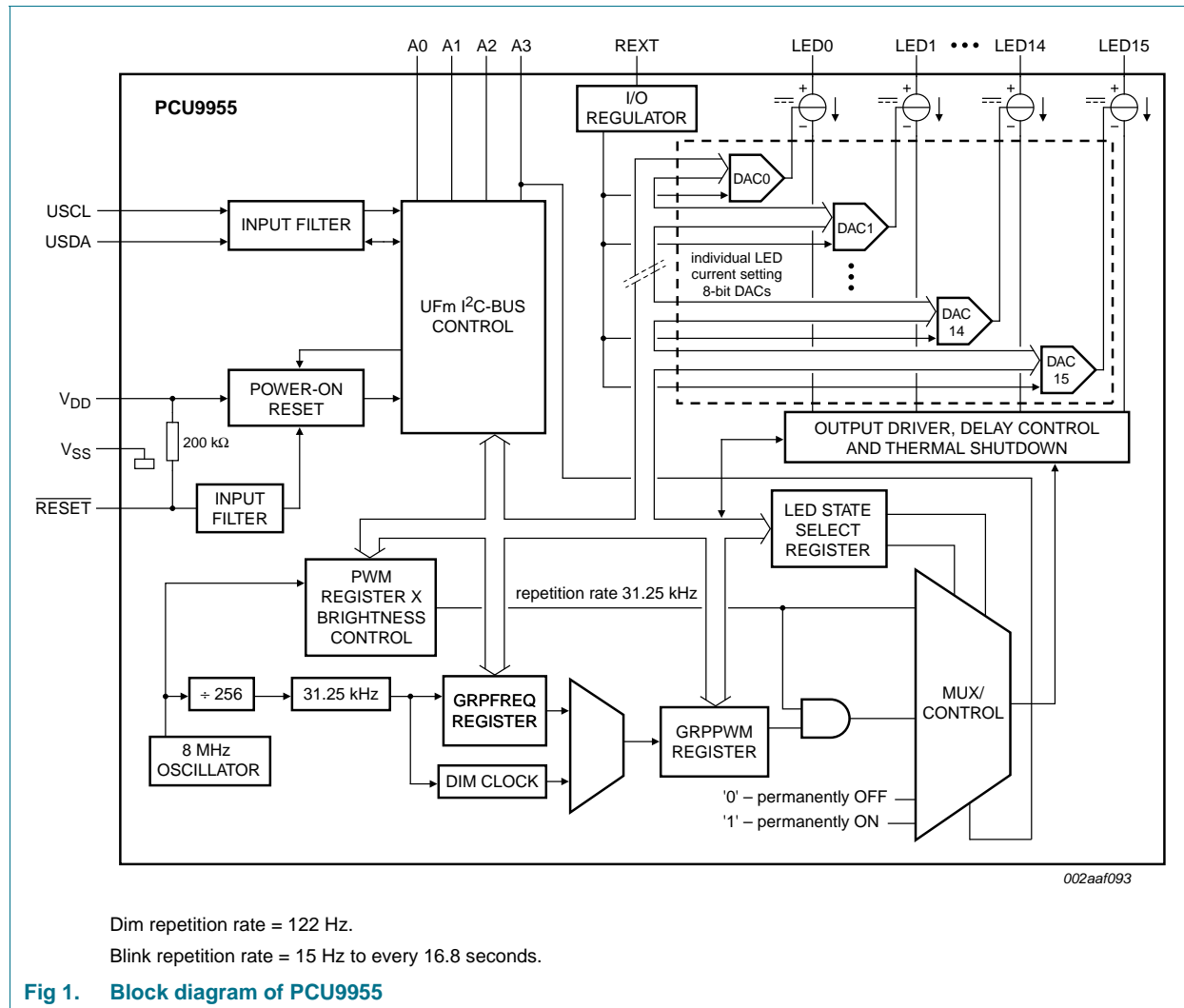
- Amusement products
- RGB or RGBA LED drivers
- LED status information
- LED displays
- LCD backlights
- Keypad backlights for cellular phones or handheld devices

4. Ordering information

Table 1. Ordering information

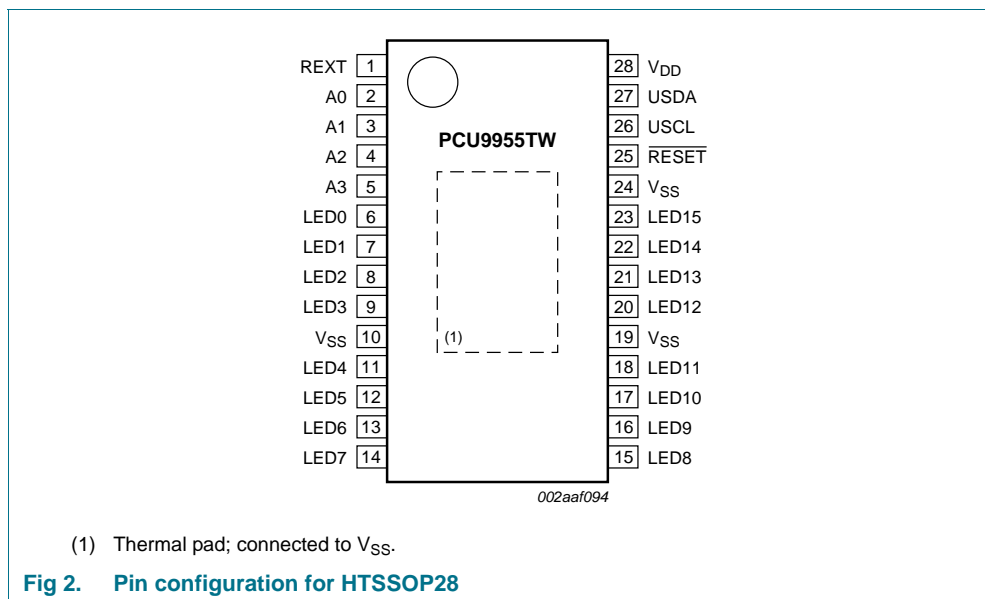
Type number	Topside mark	Package		
		Name	Description	Version
PCU9955TW	PCU9955	HTSSOP28	plastic thermal enhanced thin shrink small outline package; 28 leads; body width 4.4 mm; lead pitch 0.65 mm; exposed die pad	SOT1172-2

5. Block diagram



6. Pinning information

6.1 Pinning



6.2 Pin description

Table 2. Pin description

Symbol	Pin	Type	Description
REXT	1	I	current set resistor input; resistor to ground
A0	2	I	address input 0 ^[1]
A1	3	I	address input 1 ^[1]
A2	4	I	address input 2 ^[1]
A3	5	I	address input 3 ^[1]
LED0	6	O	LED driver 0
LED1	7	O	LED driver 1
LED2	8	O	LED driver 2
LED3	9	O	LED driver 3
LED4	11	O	LED driver 4
LED5	12	O	LED driver 5
LED6	13	O	LED driver 6
LED7	14	O	LED driver 7
LED8	15	O	LED driver 8
LED9	16	O	LED driver 9
LED10	17	O	LED driver 10
LED11	18	O	LED driver 11
LED12	20	O	LED driver 12

Table 2. Pin description ...continued

Symbol	Pin	Type	Description
LED13	21	O	LED driver 13
LED14	22	O	LED driver 14
LED15	23	O	LED driver 15
RESET	25	I	active LOW reset input
USCL	26	I	UFM serial clock line
USDA	27	I	UFM serial data line
V _{SS}	10, 19, 24 ^[2]	ground	supply ground
V _{DD}	28	power supply	supply voltage

[1] In order to obtain the best system level ESD performance, a standard pull-up resistor (10 kΩ typical) is required for any address pin connecting to V_{DD}. For additional information on system level ESD performance, please refer to application notes AN10897 and AN11131.

[2] HTSSOP28 package supply ground is connected to both V_{SS} pins and exposed center pad. V_{SS} pins must be connected to supply ground for proper device operation. For enhanced thermal, electrical, and board level performance, the exposed pad needs to be soldered to the board using a corresponding thermal pad on the board and for proper heat conduction through the board, thermal vias need to be incorporated in the PCB in the thermal pad region.

7. Functional description

Refer to [Figure 1 “Block diagram of PCU9955”](#).

7.1 Device addresses

Following a START condition, the bus master must output the address of the slave it is accessing.

For PCU9955 there are a maximum of 16 possible programmable addresses using the 4 hardware address pins.

7.1.1 Regular I²C-bus slave address

The I²C-bus slave address of the PCU9955 is shown in [Figure 3](#). To conserve power, no internal pull-up resistors are incorporated on the hardware selectable address pins and they must be pulled HIGH or LOW externally.

Remark: Reserved I²C-bus addresses must be used with caution since they can interfere with:

- ‘reserved for future use’ I²C-bus addresses (0000 011, 1111 1XX)
- slave devices that use the 10-bit addressing scheme (1111 0XX)
- slave devices that are designed to respond to the General Call address (0000 000)
- High-speed mode (Hs-mode) master code (0000 1XX)

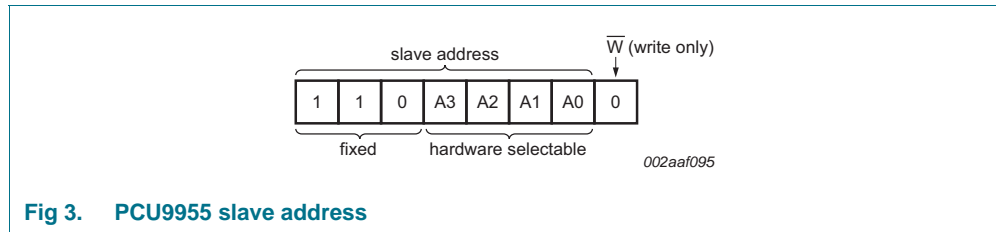


Fig 3. PCU9955 slave address

The last bit of the address byte defines the operation to be performed. Only writes to PCU9955 are supported, therefore the last bit is set to 0.

7.1.2 LED All Call I²C-bus address

- Default power-up value (ALLCALLADR register): E0h or 1110 000X
- Programmable through I²C-bus (volatile programming)
- At power-up, LED All Call I²C-bus address is enabled.

See [Section 7.3.10 “ALLCALLADR, LED All Call I²C-bus address”](#) for more detail.

Remark: The default LED All Call I²C-bus address (E0h or 1110 000X) must not be used as a regular I²C-bus slave address since this address is enabled at power-up. All of the PCU9955s on the UfM I²C-bus will respond to the address if sent by the I²C-bus master.

7.1.3 LED bit Sub Call I²C-bus addresses

- 3 different I²C-bus addresses can be used
- Default power-up values:
 - SUBADR1 register: ECh or 1110 110X
 - SUBADR2 register: ECh or 1110 110X
 - SUBADR3 register: ECh or 1110 110X
- Programmable through UfM I²C-bus (volatile programming)
- At power-up, SUBADR1 is enabled while SUBADR2 and SUBADR3 I²C-bus addresses are disabled.

Remark: At power-up SUBADR1 identifies this device as a 16-channel driver.

See [Section 7.3.9 “LED bit Sub Call I²C-bus addresses for PCU9955”](#) for more detail.

7.2 Control register

Following the slave address, LED All Call address or LED Sub Call address, the bus master will send a byte to the PCU9955, which will be stored in the Control register.

The lowest 7 bits are used as a pointer to determine which register will be accessed (D[6:0]). The highest bit is used as Auto-Increment Flag (AIF). The AIF is active by default at power-up.

This bit along with the MODE1 register bit 5 and bit 6 provide the Auto-Increment feature.

When the Auto-Increment Flag is set (AIF = logic 1), the seven low order bits of the Control register are automatically incremented after a write. This allows the user to program the registers sequentially. Four different types of Auto-Increment are possible, depending on AI1 and AI0 values of MODE1 register.

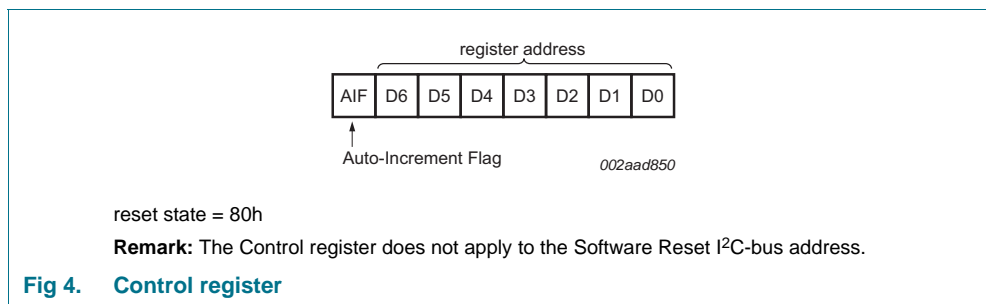


Table 3. Auto-Increment options

AIF	AI1 ^[1]	AI0 ^[1]	Function
0	0	0	no Auto-Increment
1	0	0	Auto-Increment for registers (00h to 41h). D[6:0] roll over to 00h after the last register 41h is accessed.
1	0	1	Auto-Increment for individual brightness registers only (0Ah to 19h). D[6:0] roll over to 0Ah after the last register (19h) is accessed.
1	1	0	Auto-Increment for MODE1 to IREF15 control registers (00h to 31h). D[6:0] roll over to 00h after the last register (31h) is accessed.
1	1	1	Auto-Increment for global control registers and individual brightness registers (08h to 19h). D[6:0] roll over to 08h after the last register (19h) is accessed.

[1] AI1 and AI0 come from MODE1 register.

Remark: Other combinations not shown in [Table 3](#) (AIF + AI[1:0] = 001b, 010b and 011b) are reserved and must not be used for proper device operation.

AIF + AI[1:0] = 000b is used when the same register must be accessed several times during a single I²C-bus communication, for example, changes the brightness of a single LED. Data is overwritten each time the register is accessed during a write operation.

AIF + AI[1:0] = 100b is used when registers 00h to 41h must be sequentially accessed, for example, power-up programming.

AIF + AI[1:0] = 101b is used when the 16 LED drivers must be individually programmed with different values during the same I²C-bus communication, for example, changing color setting to another color setting.

AIF + AI[1:0] = 110b is used when MODE1 to IREF15 registers must be programmed with different settings during the same I²C-bus communication.

AIF + AI[1:0] = 111b is used when the 16 LED drivers must be individually programmed with different values in addition to global programming.

Only the 7 least significant bits D[6:0] are affected by the AIF, AI1 and AI0 bits.

When the Control register is written, the register entry point determined by D[6:0] is the first register that will be addressed and can be anywhere between 00h and 41h (as defined in Table 4). When AIF = 1, the Auto-Increment Flag is set and the rollover value at which the register increment stops and goes to the next one is determined by AIF, AI1 and AI0. See Table 3 for rollover values. For example, if MODE1 register bit AI1 = 0 and AI0 = 1 and if the Control register = 1001 0000, then the register addressing sequence will be (in hexadecimal): 10 → 11 → ... → 19 → 0A → 0B → ... → 19 → 0A → 0B → ... as long as the master keeps sending data.

If MODE1 register bit AI1 = 0 and AI0 = 0 and if the Control register = 1010 0010, then the register addressing sequence will be (in hexadecimal): 22 → 23 → ... → 41 → 00 → 01 → ... → 19 → 0A → 0B → ... as long as the master keeps sending data.

If MODE1 register bit AI1 = 0 and AI0 = 1 and if the Control register = 1000 0101, then the register addressing sequence will be (in hexadecimal): 05 → 06 → ... → 19 → 0A → 0B → ... → 19 → 0A → 0B → ... as long as the master keeps sending data.

Remark: Writing to registers marked 'not used' will be ignored.

7.3 Register definitions

Table 4. Register summary

Register number (hexadecimal)	D6	D5	D4	D3	D2	D1	D0	Name	Type	Function
00h	0	0	0	0	0	0	0	MODE1	write only	Mode register 1
01h	0	0	0	0	0	0	1	MODE2	write only	Mode register 2
02h	0	0	0	0	0	1	0	LEDOUT0	write only	LEDn output state 0
03h	0	0	0	0	0	1	1	LEDOUT1	write only	LEDn output state 1
04h	0	0	0	0	1	0	0	LEDOUT2	write only	LEDn output state 2
05h	0	0	0	0	1	0	1	LEDOUT3	write only	LEDn output state 3
06h	0	0	0	0	1	1	0	-	write only	not used ^[1]
07h	0	0	0	0	1	1	1	-	write only	not used ^[1]
08h	0	0	0	1	0	0	0	GRPPWM	write only	group duty cycle control
09h	0	0	0	1	0	0	1	GRPFREQ	write only	group frequency
0Ah	0	0	0	1	0	1	0	PWM0	write only	brightness control LED0
0Bh	0	0	0	1	0	1	1	PWM1	write only	brightness control LED1
0Ch	0	0	0	1	1	0	0	PWM2	write only	brightness control LED2
0Dh	0	0	0	1	1	0	1	PWM3	write only	brightness control LED3
0Eh	0	0	0	1	1	1	0	PWM4	write only	brightness control LED4
0Fh	0	0	0	1	1	1	1	PWM5	write only	brightness control LED5
10h	0	0	1	0	0	0	0	PWM6	write only	brightness control LED6
11h	0	0	1	0	0	0	1	PWM7	write only	brightness control LED7
12h	0	0	1	0	0	1	0	PWM8	write only	brightness control LED8
13h	0	0	1	0	0	1	1	PWM9	write only	brightness control LED9
14h	0	0	1	0	1	0	0	PWM10	write only	brightness control LED10

Table 4. Register summary ...continued

Register number (hexadecimal)	D6	D5	D4	D3	D2	D1	D0	Name	Type	Function
15h	0	0	1	0	1	0	1	PWM11	write only	brightness control LED11
16h	0	0	1	0	1	1	0	PWM12	write only	brightness control LED12
17h	0	0	1	0	1	1	1	PWM13	write only	brightness control LED13
18h	0	0	1	1	0	0	0	PWM14	write only	brightness control LED14
19h	0	0	1	1	0	0	1	PWM15	write only	brightness control LED15
1Ah to 21h	-	-	-	-	-	-	-	-	write only	not used ^[1]
22h	0	1	0	0	0	1	0	IREF0	write only	output gain control register 0
23h	0	1	0	0	0	1	1	IREF1	write only	output gain control register 1
24h	0	1	0	0	1	0	0	IREF2	write only	output gain control register 2
25h	0	1	0	0	1	0	1	IREF3	write only	output gain control register 3
26h	0	1	0	0	1	1	0	IREF4	write only	output gain control register 4
27h	0	1	0	0	1	1	1	IREF5	write only	output gain control register 5
28h	0	1	0	1	0	0	0	IREF6	write only	output gain control register 6
29h	0	1	0	1	0	0	1	IREF7	write only	output gain control register 7
2Ah	0	1	0	1	0	1	0	IREF8	write only	output gain control register 8
2Bh	0	1	0	1	0	1	1	IREF9	write only	output gain control register 9
2Ch	0	1	0	1	1	0	0	IREF10	write only	output gain control register 10
2Dh	0	1	0	1	1	0	1	IREF11	write only	output gain control register 11
2Eh	0	1	0	1	1	1	0	IREF12	write only	output gain control register 12
2Fh	0	1	0	1	1	1	1	IREF13	write only	output gain control register 13
30h	0	1	1	0	0	0	0	IREF14	write only	output gain control register 14
31h	0	1	1	0	0	0	1	IREF15	write only	output gain control register 15
32h to 39h	-	-	-	-	-	-	-	-	write only	not used ^[1]
3Ah	0	1	1	1	0	1	0	OFFSET	write only	Offset/delay on LEDn outputs
3Bh	0	1	1	1	0	1	1	SUBADR1	write only	I ² C-bus subaddress 1
3Ch	0	1	1	1	1	0	0	SUBADR2	write only	I ² C-bus subaddress 2
3Dh	0	1	1	1	1	0	1	SUBADR3	write only	I ² C-bus subaddress 3
3Eh	0	1	1	1	1	1	0	ALLCALLADR	write only	All Call I ² C-bus address
3Fh	0	1	1	1	1	1	1	RESERVED1	write only	reserved ^[2]
40h	-	-	-	-	-	-	-	-	write only	not used ^[1]
41h	-	-	-	-	-	-	-	-	write only	not used ^[1]
42h	1	0	0	0	0	1	0	PWMALL	write only	brightness control for all LEDn
43h	1	0	0	0	0	1	1	IREFALL	write only	output gain control for all registers IREF0 to IREF15
44h to 7Fh	-	-	-	-	-	-	-	-	write only	not used ^[1]

[1] **Remark:** Writing to registers marked 'not used' will be ignored.

[2] **Remark:** Writing to registers marked 'reserved' will not change any functionality in the chip.

7.3.1 MODE1 — Mode register 1

Table 5. MODE1 - Mode register 1 (address 00h) bit description

Legend: * default value.

Bit	Symbol	Access	Value	Description
7	AIF	-	-	not used
6	AI1	W only	0*	Auto-Increment bit 1 = 0. Auto-increment range as defined in Table 3 .
			1	Auto-Increment bit 1 = 1. Auto-increment range as defined in Table 3 .
5	AI0	W only	0*	Auto-Increment bit 0 = 0. Auto-increment range as defined in Table 3 .
			1	Auto-Increment bit 0 = 1. Auto-increment range as defined in Table 3 .
4	SLEEP	W only	0*	Normal mode ^[1] .
			1	Low power mode. Oscillator off ^[2] .
3	SUB1	W only	0	PCU9955 does not respond to I ² C-bus subaddress 1.
			1*	PCU9955 responds to I ² C-bus subaddress 1.
2	SUB2	W only	0*	PCU9955 does not respond to I ² C-bus subaddress 2.
			1	PCU9955 responds to I ² C-bus subaddress 2.
1	SUB3	W only	0*	PCU9955 does not respond to I ² C-bus subaddress 3.
			1	PCU9955 responds to I ² C-bus subaddress 3.
0	ALLCALL	W only	0	PCU9955 does not respond to LED All Call I ² C-bus address.
			1*	PCU9955 responds to LED All Call I ² C-bus address.

[1] It takes 500 μ s max. for the oscillator to be up and running once SLEEP bit has been set to logic 0. Timings on LEDn outputs are not guaranteed if PWMx, GRPPWM or GRPFREQ registers are accessed within the 500 μ s window.

[2] No blinking or dimming is possible when the oscillator is off.

7.3.2 MODE2 — Mode register 2

Table 6. MODE2 - Mode register 2 (address 01h) bit description

Legend: * default value.

Bit	Symbol	Access	Value	Description
7	-	-	-	not used
6	-	-	-	not used
5	DMBLNK	W only	0*	group control = dimming.
			1	group control = blinking.
4	-	-	0*	reserved
3	OCH	W only	0*	outputs change on STOP command ^[1]
			1	outputs change on ACK, this 9th bit is always set to 1 by UFM I ² C-bus master
2	-	-	1*	reserved
1	-	-	0*	reserved
0	-	-	1*	reserved

[1] Change of the outputs at the STOP command allows synchronizing outputs of more than one PCU9955. Applicable to registers from 02h (LEDOUT0) to 3Ah (OFFSET) only.

7.3.3 LEDOUT0 to LEDOUT3, LED driver output state

Table 7. LEDOUT0 to LEDOUT3 - LED driver output state registers (address 02h to 05h) bit description

Legend: * default value.

Address	Register	Bit	Symbol	Access	Value	Description
02h	LEDOUT0	7:6	LDR3	W only	00*	LED3 output state control
		5:4	LDR2	W only	00*	LED2 output state control
		3:2	LDR1	W only	00*	LED1 output state control
		1:0	LDR0	W only	00*	LED0 output state control
03h	LEDOUT1	7:6	LDR7	W only	00*	LED7 output state control
		5:4	LDR6	W only	00*	LED6 output state control
		3:2	LDR5	W only	00*	LED5 output state control
		1:0	LDR4	W only	00*	LED4 output state control
04h	LEDOUT2	7:6	LDR11	W only	00*	LED11 output state control
		5:4	LDR10	W only	00*	LED10 output state control
		3:2	LDR9	W only	00*	LED9 output state control
		1:0	LDR8	W only	00*	LED8 output state control
05h	LEDOUT3	7:6	LDR15	W only	00*	LED15 output state control
		5:4	LDR14	W only	00*	LED14 output state control
		3:2	LDR13	W only	00*	LED13 output state control
		1:0	LDR12	W only	00*	LED12 output state control

LDRx = 00 — LED driver x is off (default power-up state, x = 0 to 15).

LDRx = 01 — LED driver x is fully on (individual brightness and group dimming/blinking not controlled).

LDRx = 10 — LED driver x individual brightness can be controlled through its PWMx register.

LDRx = 11 — LED driver x individual brightness and group dimming/blinking can be controlled through its PWMx register and the GRPPWM registers.

7.3.4 GRPPWM, group duty cycle control

Table 8. GRPPWM - Group brightness control register (address 08h) bit description

Legend: * default value

Address	Register	Bit	Symbol	Access	Value	Description
08h	GRPPWM	7:0	GDC[7:0]	W only	1111 1111*	GRPPWM register

When DMBLNK bit (MODE2 register) is programmed with logic 0, a 122 Hz fixed frequency signal is superimposed with the 31.25 kHz individual brightness control signal. GRPPWM is then used as a global brightness control allowing the LEDn outputs to be dimmed with the same value. The value in GRPFREQ is then a 'Don't care'.

General brightness for the 16 outputs is controlled through 256 linear steps from 00h (0 % duty cycle = LEDn output off) to FFh (99.6 % duty cycle = maximum brightness). Applicable to LEDn outputs programmed with LDRx = 11 (LEDOUT0 to LEDOUT3 registers).

When DMBLNK bit is programmed with logic 1, GRPPWM and GRPFREQ registers define a global blinking pattern, where GRPFREQ contains the blinking period (from 15 Hz to 16.8 s) and GRPPWM the duty cycle (ON/OFF ratio in %).

$$\text{duty cycle} = \frac{GDC[7:0]}{256} \quad (1)$$

7.3.5 GRPFREQ, group frequency

Table 9. GRPFREQ - Group frequency register (address 09h) bit description

Legend: * default value.

Address	Register	Bit	Symbol	Access	Value	Description
09h	GRPFREQ	7:0	GFRQ[7:0]	W only	0000 0000*	GRPFREQ register

GRPFREQ is used to program the global blinking period when DMBLNK bit (MODE2 register) is equal to 1. Value in this register is a 'Don't care' when DMBLNK = 0. Applicable to LEDn outputs programmed with LDRx = 11 (LEDOUT0 to LEDOUT3 registers).

Blinking period is controlled through 256 linear steps from 00h (67 ms, frequency 15 Hz) to FFh (16.8 s).

$$\text{global blinking period} = \frac{GFRQ[7:0] + 1}{15.26} (s) \quad (2)$$

7.3.6 PWM0 to PWM15, individual brightness control

Table 10. PWM0 to PWM15 - PWM registers 0 to 15 (address 0Ah to 19h) bit description

Legend: * default value.

Address	Register	Bit	Symbol	Access	Value	Description
0Ah	PWM0	7:0	IDC0[7:0]	W only	0000 0000*	PWM0 Individual Duty Cycle
0Bh	PWM1	7:0	IDC1[7:0]	W only	0000 0000*	PWM1 Individual Duty Cycle
0Ch	PWM2	7:0	IDC2[7:0]	W only	0000 0000*	PWM2 Individual Duty Cycle
0Dh	PWM3	7:0	IDC3[7:0]	W only	0000 0000*	PWM3 Individual Duty Cycle
0Eh	PWM4	7:0	IDC4[7:0]	W only	0000 0000*	PWM4 Individual Duty Cycle
0Fh	PWM5	7:0	IDC5[7:0]	W only	0000 0000*	PWM5 Individual Duty Cycle
10h	PWM6	7:0	IDC6[7:0]	W only	0000 0000*	PWM6 Individual Duty Cycle
11h	PWM7	7:0	IDC7[7:0]	W only	0000 0000*	PWM7 Individual Duty Cycle
12h	PWM8	7:0	IDC8[7:0]	W only	0000 0000*	PWM8 Individual Duty Cycle
13h	PWM9	7:0	IDC9[7:0]	W only	0000 0000*	PWM9 Individual Duty Cycle
14h	PWM10	7:0	IDC10[7:0]	W only	0000 0000*	PWM10 Individual Duty Cycle
15h	PWM11	7:0	IDC11[7:0]	W only	0000 0000*	PWM11 Individual Duty Cycle
16h	PWM12	7:0	IDC12[7:0]	W only	0000 0000*	PWM12 Individual Duty Cycle

Table 10. PWM0 to PWM15 - PWM registers 0 to 15 (address 0Ah to 19h) bit description
...continued

Address	Register	Bit	Symbol	Access	Value	Description
17h	PWM13	7:0	IDC13[7:0]	W only	0000 0000*	PWM13 Individual Duty Cycle
18h	PWM14	7:0	IDC14[7:0]	W only	0000 0000*	PWM14 Individual Duty Cycle
19h	PWM15	7:0	IDC15[7:0]	W only	0000 0000*	PWM15 Individual Duty Cycle

A 31.25 kHz fixed frequency signal is used for each output. Duty cycle is controlled through 256 linear steps from 00h (0 % duty cycle = LEDn output off) to FFh (99.6 % duty cycle = LEDn output at maximum brightness). Applicable to LEDn outputs programmed with LDRx = 10 or 11 (LEDOUT0 to LEDOUT3 registers).

$$\text{duty cycle} = \frac{IDC_x[7:0]}{256} \quad (3)$$

Remark: The first lower end 8 steps of PWM and the last (higher end) steps of PWM will not have effective brightness control of LEDs due to edge rate control of LEDn output pins.

7.3.7 IREF0 to IREF15, LEDn output current value registers

These registers reflect the gain settings for output current for LED0 to LED15.

Table 11. IREF0 to IREF15 - LEDn output gain control registers (address 22h to 31h) bit description

Legend: * default value.

Address	Register	Bit	Access	Value	Description
22h	IREF0	7:0	W only	00h*	LED0 output current setting
23h	IREF1	7:0	W only	00h*	LED1 output current setting
24h	IREF2	7:0	W only	00h*	LED2 output current setting
25h	IREF3	7:0	W only	00h*	LED3 output current setting
26h	IREF4	7:0	W only	00h*	LED4 output current setting
27h	IREF5	7:0	W only	00h*	LED5 output current setting
28h	IREF6	7:0	W only	00h*	LED6 output current setting
29h	IREF7	7:0	W only	00h*	LED7 output current setting
2Ah	IREF8	7:0	W only	00h*	LED8 output current setting
2Bh	IREF9	7:0	W only	00h*	LED9 output current setting
2Ch	IREF10	7:0	W only	00h*	LED10 output current setting
2Dh	IREF11	7:0	W only	00h*	LED11 output current setting
2Eh	IREF12	7:0	W only	00h*	LED12 output current setting
2Fh	IREF13	7:0	W only	00h*	LED13 output current setting
30h	IREF14	7:0	W only	00h*	LED14 output current setting
31h	IREF15	7:0	W only	00h*	LED15 output current setting

7.3.8 OFFSET — LEDn output delay offset register

Table 12. OFFSET - LEDn output delay offset register (address 3Ah) bit description

Legend: * default value.

Address	Register	Bit	Access	Value	Description
3Ah	OFFSET	7:4	-	0000*	not used
		3:0	W only	1000*	LEDn output delay offset factor

The PCU9955 can be programmed to have turn-on delay between LEDn outputs. This helps to reduce peak current for the V_{DD} supply and reduces EMI.

The order in which the LEDn outputs are enabled will always be the same (channel 0 will enable first and channel 15 will enable last).

OFFSET control register bits [3:0] determine the delay used between the turn-on times as follows:

- 0000 = no delay between outputs (all on, all off at the same time)
- 0001 = delay of 1 clock cycle (125 ns) between successive outputs
- 0010 = delay of 2 clock cycles (250 ns) between successive outputs
- 0011 = delay of 3 clock cycles (375 ns) between successive outputs
- :
- 1111 = delay of 15 clock cycles (1.875 μs) between successive outputs

Example: If the value in the OFFSET register is 1000 the corresponding delay = $8 \times 125 \text{ ns} = 1 \text{ μs}$ delay between successive outputs.

- channel 0 turns on at time 0 μs
- channel 1 turns on at time 1 μs
- channel 2 turns on at time 2 μs
- channel 3 turns on at time 3 μs
- channel 4 turns on at time 4 μs
- channel 5 turns on at time 5 μs
- channel 6 turns on at time 6 μs
- channel 7 turns on at time 7 μs
- channel 8 turns on at time 8 μs
- channel 9 turns on at time 9 μs
- channel 10 turns on at time 10 μs
- channel 11 turns on at time 11 μs
- channel 12 turns on at time 12 μs
- channel 13 turns on at time 13 μs
- channel 14 turns on at time 14 μs
- channel 15 turns on at time 15 μs

7.3.9 LED bit Sub Call I²C-bus addresses for PCU9955

Table 13. SUBADR1 to SUBADR3 - I²C-bus subaddress registers 1 to 3 (address 3Bh to 3Dh) bit description

Legend: * default value.

Address	Register	Bit	Symbol	Access	Value	Description
3Bh	SUBADR1	7:1	A1[7:1]	W only	1110 110*	I ² C-bus subaddress 1
		0	A1[0]	W only	0*	reserved
3Ch	SUBADR2	7:1	A2[7:1]	W only	1110 110*	I ² C-bus subaddress 2
		0	A2[0]	W only	0*	reserved
3Dh	SUBADR3	7:1	A3[7:1]	W only	1110 110*	I ² C-bus subaddress 3
		0	A3[0]	W only	0*	reserved

Default power-up values are ECh, ECh, ECh. At power-up, SUBADR1 is enabled while SUBADR2 and SUBADR3 are disabled. The power-up default bit subaddress of ECh indicates that this device is a 16-channel LED driver.

All three subaddresses are programmable. Once subaddresses have been programmed to their right values, SUBx bits need to be set to logic 1 in order to have the device respond to these addresses (MODE1 register) (0). When SUBx is set to logic 1, the corresponding I²C-bus subaddress can be used during an U²C-bus write sequence.

7.3.10 ALLCALLADR, LED All Call I²C-bus address

Table 14. ALLCALLADR - LED All Call I²C-bus address register (address 3Eh) bit description

Legend: * default value.

Address	Register	Bit	Symbol	Access	Value	Description
3Eh	ALLCALLADR	7:1	AC[7:1]	W only	1110 000*	ALLCALL I ² C-bus address register
		0	AC[0]	W only	0*	reserved

The LED All Call I²C-bus address allows all the PCU9955s on the bus to be programmed at the same time (ALLCALL bit in register MODE1 must be equal to logic 1 (power-up default state)). This address is programmable through the I²C-bus and can be used during an I²C-bus write sequence. The register address can also be programmed as a Sub Call.

Only the 7 MSBs representing the All Call I²C-bus address are valid. The LSB in the ALLCALLADR register is a 0.

7.3.11 RESERVED1

This register is reserved.

7.3.12 PWMALL — brightness control for all LEDn outputs

When programmed, the value in this register will be used for PWM duty cycle for all the LEDn (n = 0 to 15) outputs.

Table 15. PWMALL - brightness control for all LEDn outputs register (address 42h) bit description

Legend: * default value.

Address	Register	Bit	Access	Value	Description
42h	PWMALL	7:0	W only	0000 0000*	duty cycle for all LEDn outputs

Remark: Write to any of the PWM0 to PWM15 registers will overwrite the value in corresponding PWMn register.

7.3.13 IREFALL — output current value for all LEDn outputs

The output current setting for all outputs is held in this register. When this register is written to or updated, all LEDn outputs will be set to a current corresponding to this register value.

Writes to IREF0 to IREF15 will overwrite the output current settings.

Table 16. IREFALL - Output gain control for all LEDn outputs (address 43h) bit description

Bit	Symbol	Access	Value	Description
7:0	IREFALL	W only	00h*	Current gain setting for all LEDn outputs.

7.3.14 LED driver constant current outputs

In LED display applications, PCU9955 provides nearly no current variations from channel to channel and from device to device. The maximum current skew between channels is less than ±6 % and less than ±8 % between devices.

7.3.14.1 Adjusting output current

The PCU9955 scales up the reference current (I_{ref}) set by the external resistor (R_{ext}) to sink the output current (I_O) at each output port. The maximum output current for the outputs can be set using R_{ext} . In addition, the constant value for current drive at each of the outputs is independently programmable using command registers IREF0 to IREF15. Alternatively, programming the IREFALL register allows all outputs to be set at one current value determined by the value in IREFALL register.

[Equation 4](#) and [Equation 5](#) can be used to calculate the minimum and maximum constant current values that can be programmed for the outputs for a chosen R_{ext} .

$$I_{O_LED_LSB} = \frac{900 \text{ mV}}{R_{ext}} \times \frac{1}{4} \quad (4)$$

$$I_{O_LED_MAX} = (255 \times I_{O_LED_LSB}) = \left(\frac{900 \text{ mV}}{R_{ext}} \times \frac{255}{4} \right) \quad (5)$$

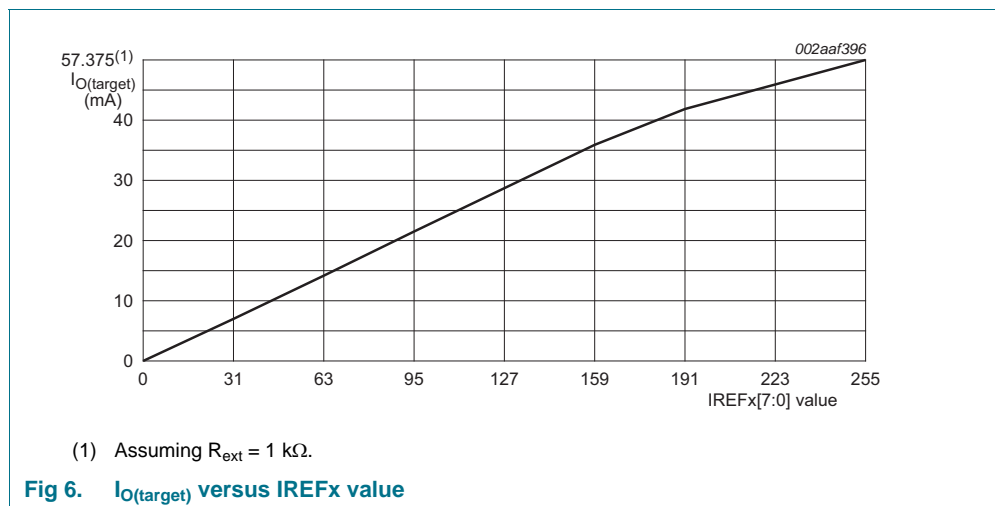
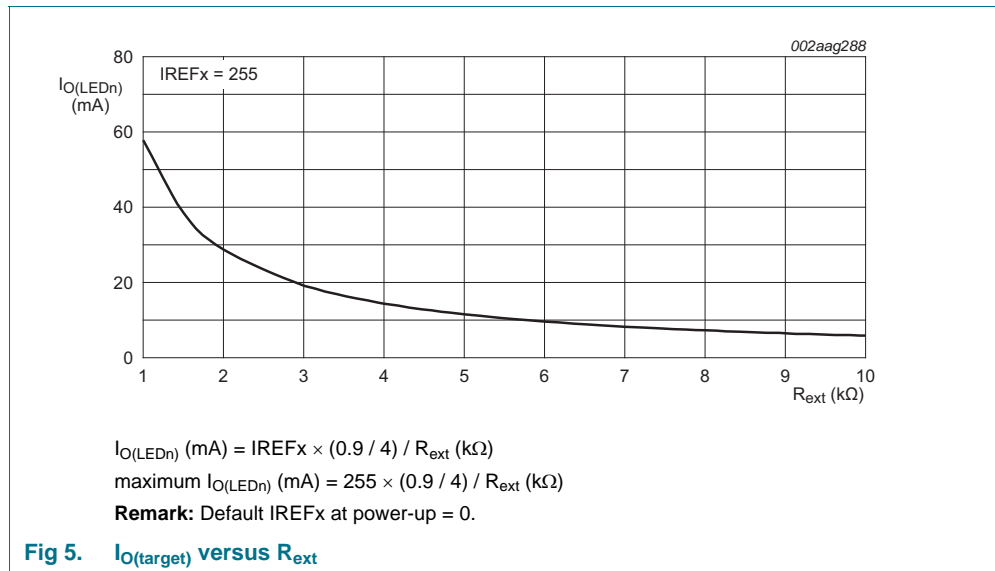
$$\text{For a given IREF}_x \text{ (x = 0 to 15) setting, } I_{O_LED} = IREF_x \times \frac{900 \text{ mV}}{R_{ext}} \times \frac{1}{4}.$$

Example 1: If $R_{ext} = 1\text{ k}\Omega$, $I_{O_LED_LSB} = 225\text{ }\mu\text{A}$, $I_{O_LED_MAX} = 57.375\text{ mA}$.

So each channel can be programmed with its individual IREFx in 256 steps and in 225 μA increments to a maximum output current of 57.375 mA independently.

Example 2: If $R_{ext} = 2\text{ k}\Omega$, $I_{O_LED_LSB} = 112.5\text{ }\mu\text{A}$, $I_{O_LED_MAX} = 26.687\text{ mA}$.

So each channel can be programmed with its individual IREFx in 256 steps and in 112.5 μA increments to a maximum output channel of 26.687 mA independently.



7.3.15 Overtemperature protection

If the PCU9955 chip temperature exceeds its limit ($T_{th(otp)}$, see [Table 19](#)), all output channels will be disabled until the temperature drops below its limit minus a small hysteresis (T_{hys} , see [Table 19](#)). Once the die temperature reduces below the $T_{th(otp)} - T_{hys}$, the chip will return to the same condition it was prior to the overtemperature event.

7.4 Power-on reset

When power is applied to V_{DD} , an internal power-on reset holds the PCU9955 in a reset condition until V_{DD} has reached V_{POR} . At this point, the reset condition is released and the PCU9955 registers and I²C-bus state machine are initialized to their default states (all zeroes) causing all the channels to be deselected. Thereafter, V_{DD} must be pulled lower than 1 V and stay LOW for longer than 20 μ s. The device will reset itself, and allow 2 ms for the device to fully wake up.

7.5 Hardware reset recovery

When a reset of PCU9955 is activated using an active LOW input on the $\overline{\text{RESET}}$ pin, a reset pulse width of 2.5 μ s minimum is required. The maximum wait time after $\overline{\text{RESET}}$ pin is released is 1.5 ms.

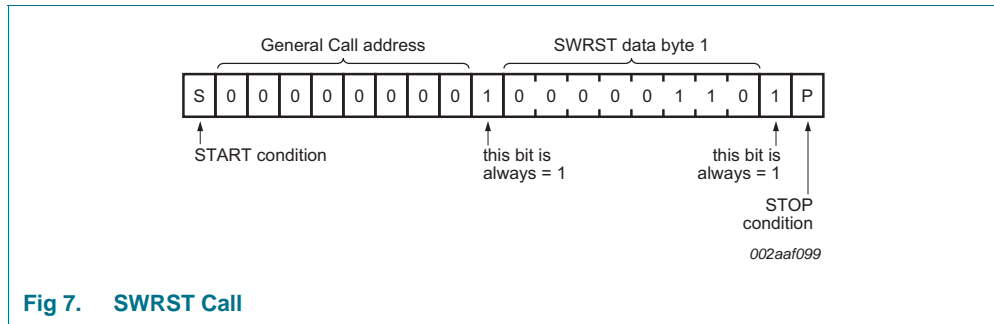
7.6 Software reset

The Software Reset Call (SWRST Call) allows all the devices in the I²C-bus to be reset to the power-up state value through a specific formatted I²C-bus command.

The maximum wait time after software reset is 1 ms.

The SWRST Call function is defined as the following:

1. A START command is sent by the I²C-bus master.
2. The reserved General Call address '0000 000' with the \overline{W} bit set to '0' (write) is sent by the I²C-bus master.
3. Since PCU9955 is a UFM I²C-bus device, no acknowledge is returned to the I²C-bus master.
4. Once the General Call address has been sent, the master sends 1 byte with 1 specific value (SWRST data byte 1): Byte 1 = 06h.
If more than 1 byte of data is sent, they will be ignored by the PCU9955.
5. Once the correct byte (SWRST data byte 1) has been sent, the master sends a STOP command to end the SWRST function: the PCU9955 then resets to the default value (power-up value) and is ready to be addressed again within the specified bus free time (t_{BUF}).

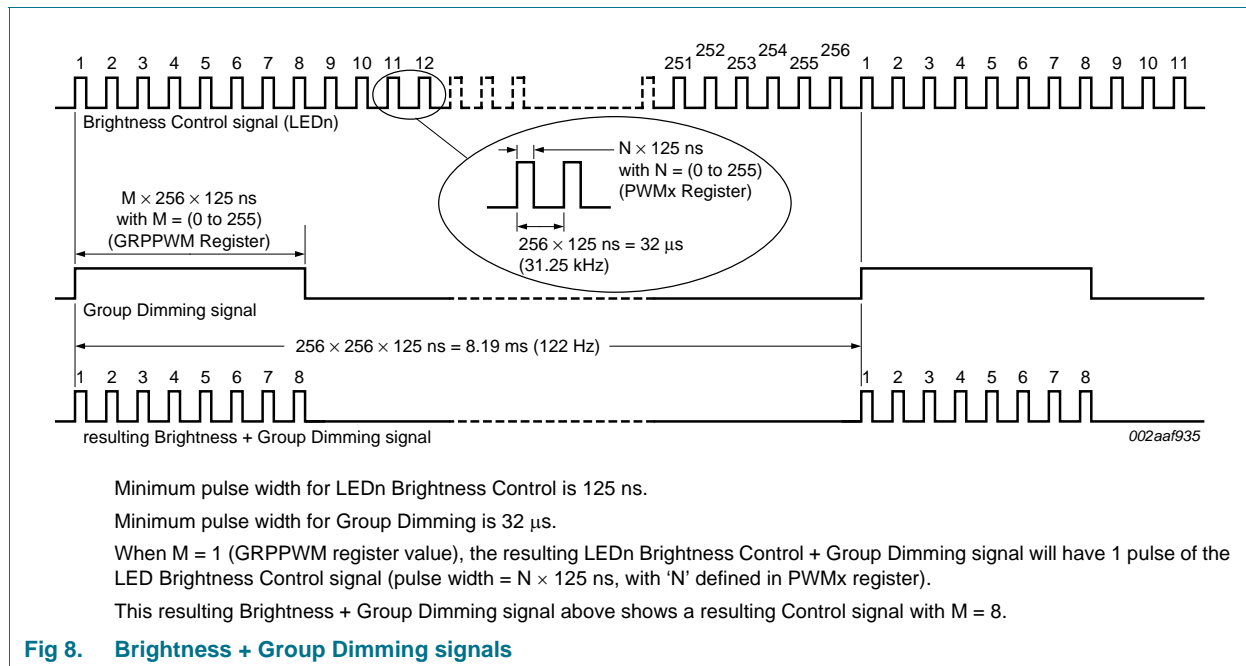


7.7 Individual brightness control with group dimming/blinking

A 31.25 kHz fixed frequency signal with programmable duty cycle (8 bits, 256 steps) is used to control individually the brightness for each LED.

On top of this signal, one of the following signals can be superimposed (this signal can be applied to the 16 LEDn output control registers LEDOUT0 to LEDOUT3):

- A lower 122 Hz fixed frequency signal with programmable duty cycle (8 bits, 256 steps) is used to provide a global brightness control.
- A programmable frequency signal from 15 Hz to every 16.8 seconds (8 bits, 256 steps) with programmable duty cycle (8 bits, 256 steps) is used to provide a global blinking control.



8. Characteristics of the PCU9955 Ultra Fast-mode I²C-bus

The PCU9955 LED controller uses the new Ultra Fast-mode (UFM) I²C-bus to communicate with the UFM I²C-bus capable host controller. Like the Standard mode and Fast-mode Plus (Fm+) I²C-bus, it uses two lines for communication. They are a serial data line (USDA) and a serial clock line (USCL). The UFM is a unidirectional bus that is capable of higher frequency (up to 5 MHz). The UFM I²C-bus slave devices operate in receive-only mode. That is, only I²C writes to PCU9955 are supported.

8.1 Bit transfer

One data bit is transferred during each clock pulse. The data on the USDA line must remain stable during the HIGH period of the clock pulse as changes in the data line at this time will be interpreted as control signals (see [Figure 9](#)).

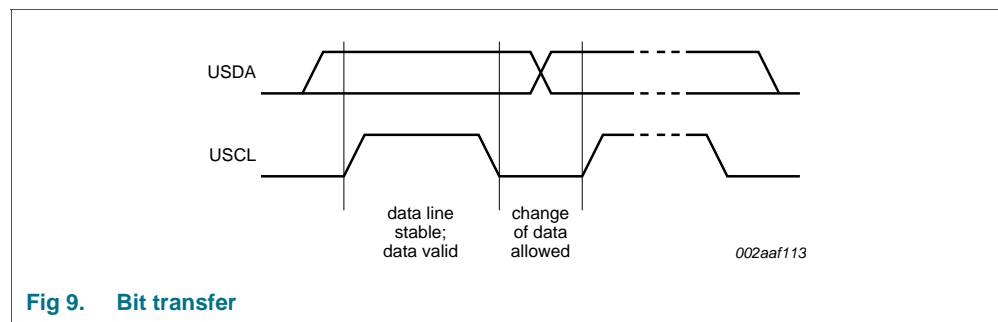


Fig 9. Bit transfer

8.1.1 START and STOP conditions

Both data and clock lines remain HIGH when the bus is not busy. A HIGH-to-LOW transition of the data line while the clock is HIGH is defined as the START condition (S). A LOW-to-HIGH transition of the data line while the clock is HIGH is defined as the STOP condition (P) (see [Figure 10](#)).

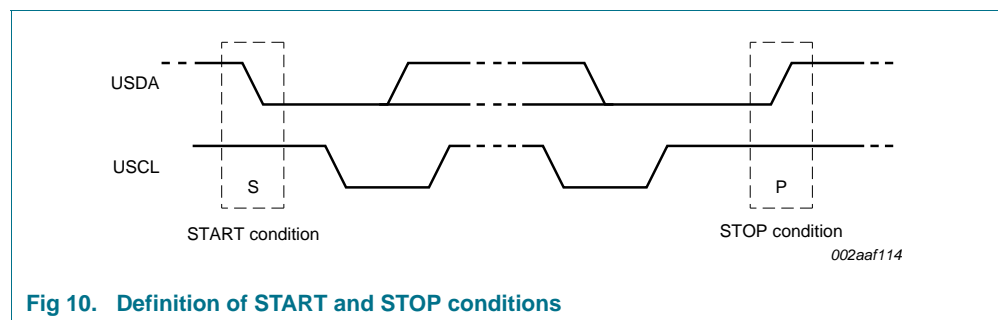


Fig 10. Definition of START and STOP conditions

8.2 System configuration

A device generating a message is a 'transmitter'; a device receiving is the 'receiver'. The device that controls the message is the 'master' and the devices which are controlled by the master are the 'slaves' (see [Figure 11](#)).

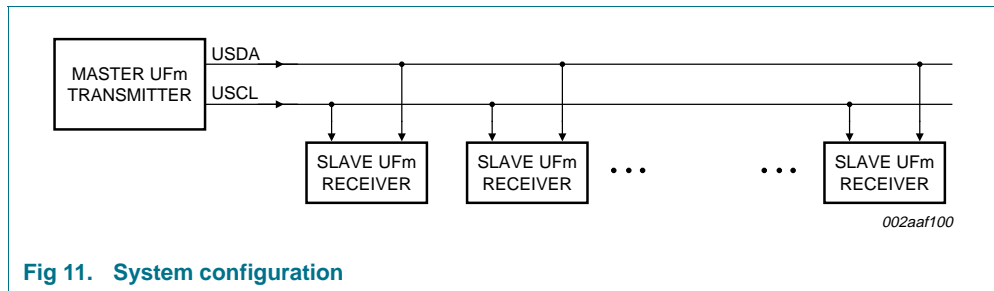


Fig 11. System configuration

8.3 Data transfer

The number of data bytes transferred between the START and the STOP conditions from transmitter to receiver is not limited. Each byte of eight bits is followed by one bit that is always set to 1. The master generates an extra related clock pulse.

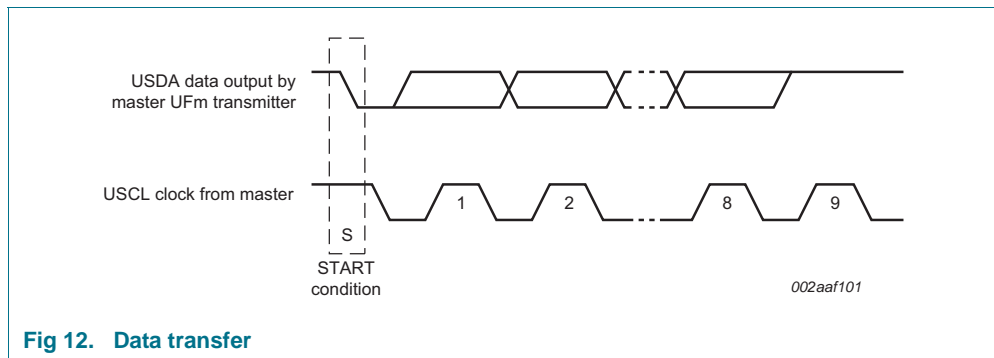
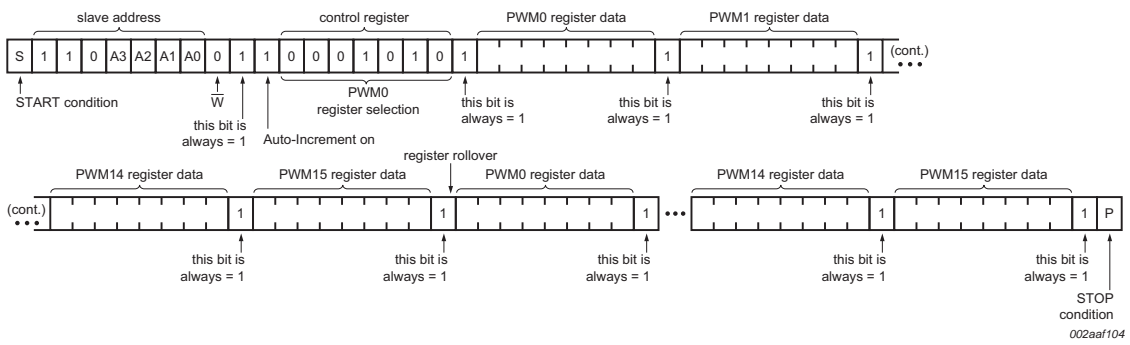
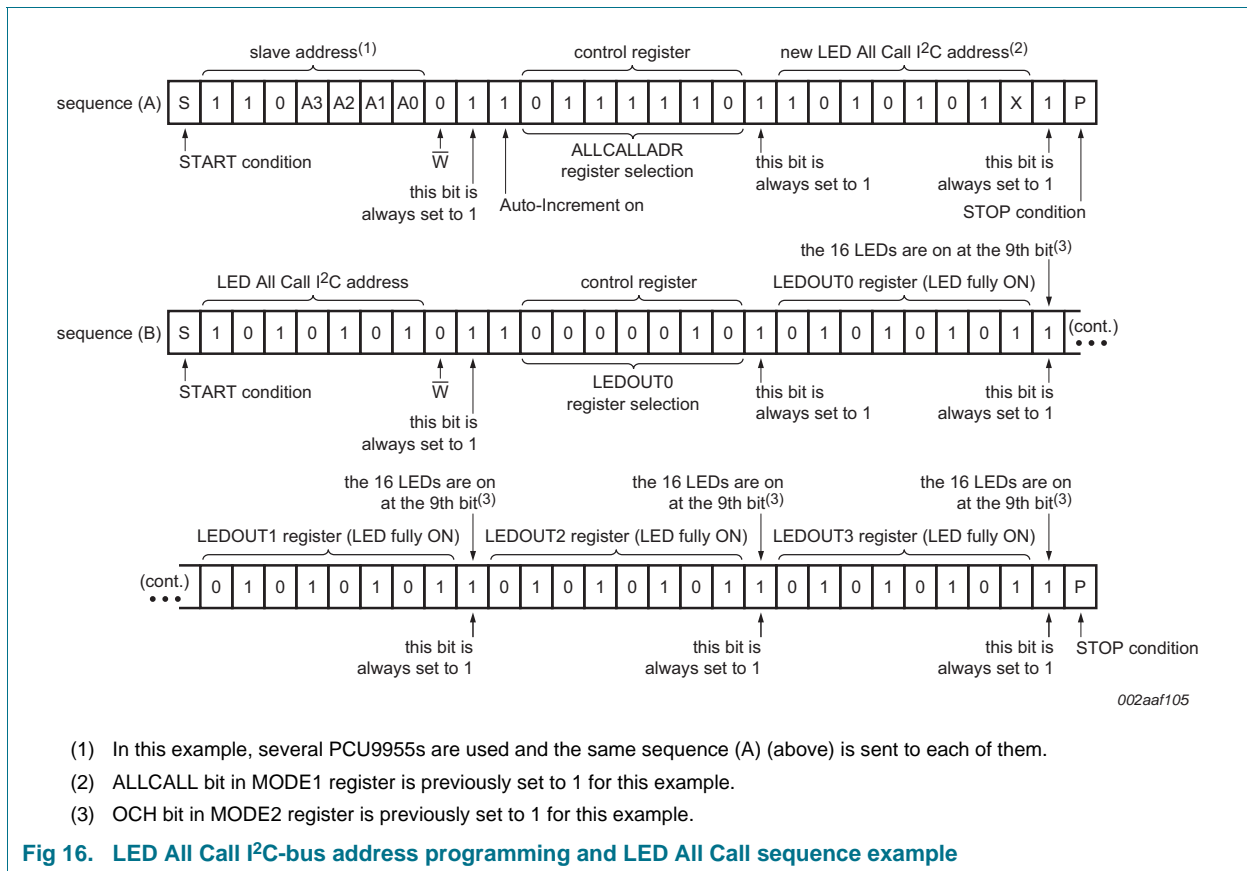


Fig 12. Data transfer



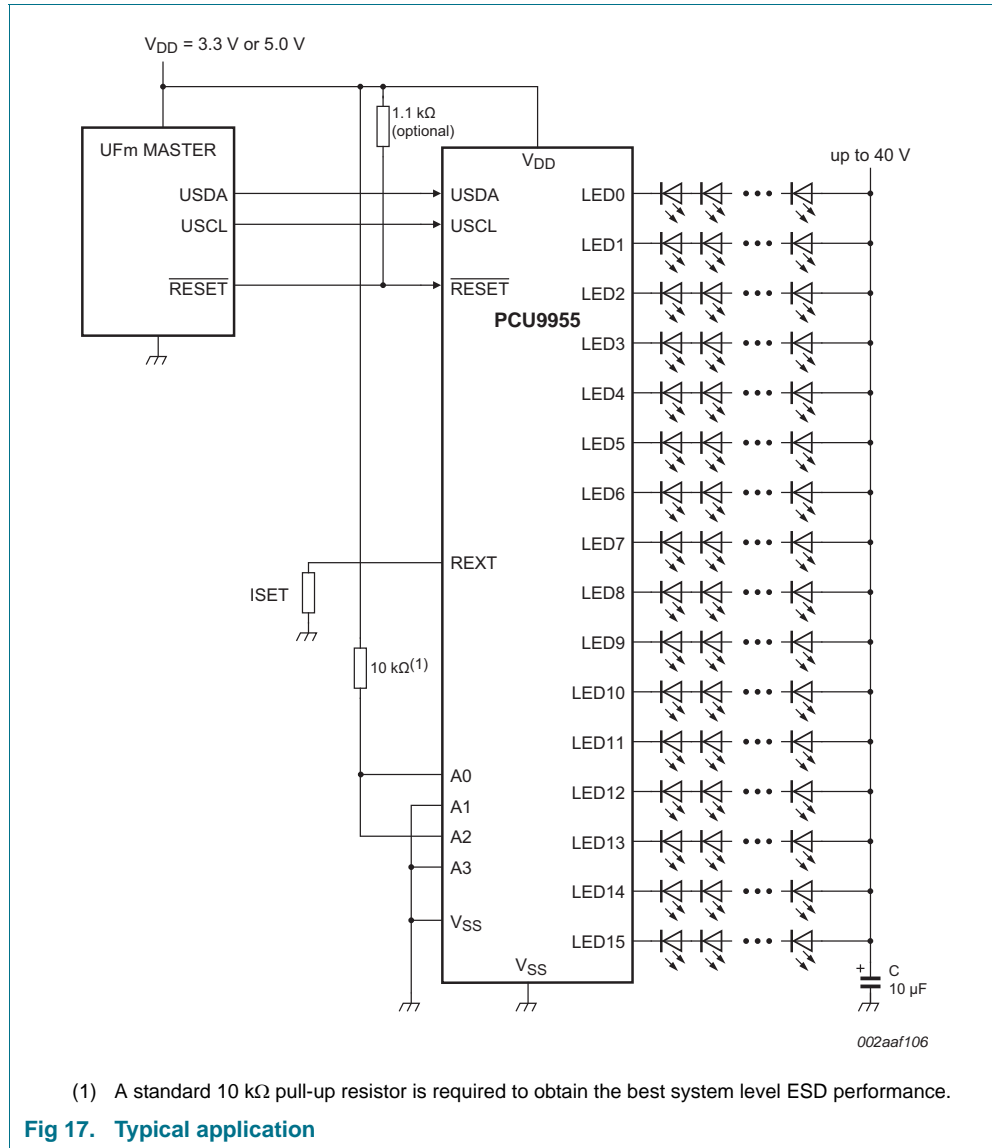
This example assumes that AIF + AI[1:0] = 101b.

Fig 15. Multiple writes to Individual Brightness registers only using the Auto-Increment feature



002aaf105

10. Application design-in information



10.1 Thermal considerations

Since the PCU9955 device integrates 16 linear current sources, thermal considerations should be taken into account to prevent overheating, which can cause the device to go into thermal shutdown.

Perhaps the major contributor for device's overheating is the LED forward voltage mismatch. This is because it can cause significant voltage differences between the LED strings of the same type (e.g., 2 V to 3 V), which ultimately translates into higher power dissipation in the device. The voltage drop across the LED channels of the device is given by the difference between the supply voltage and the LED forward voltage of each LED

string. Reducing this to a minimum (e.g., 0.8 V) helps to keep the power dissipation down. Therefore LEDs binning is recommended to minimize LED voltage forward variation and reduce power dissipation in the device.

In order to ensure that the device will not go into thermal shutdown when operating under certain application conditions, its junction temperature (T_j) should be calculated to ensure that is below the overtemperature threshold limit (125 °C). The T_j of the device depends on the ambient temperature (T_{amb}), device's total power dissipation (P_{tot}), and thermal resistance.

The device junction temperature can be calculated by using the following equation:

$$T_j = T_{amb} + R_{th(j-a)} \times P_{tot} \quad (6)$$

where:

T_j = junction temperature

T_{amb} = ambient temperature

$R_{th(j-a)}$ = junction to ambient thermal resistance

P_{tot} = (device) total power dissipation

An example of this calculation is show below:

Conditions:

$T_{amb} = 50$ °C

$R_{th(j-a)} = 31$ °C/W (per JEDEC 51 standard for multilayer PCB)

$I_{LED} = 50$ mA / channel

$I_{DD(max)} = 12$ mA

$V_{DD} = 5$ V

LEDs per channel = 10 LEDs / channel

LED $V_{F(typ)}$ = 3 V per LED (30 V total for 10 LEDs in series)

LED V_F mismatch = 0.2 V per LED (2 V total for 10 LEDs in series)

$V_{reg(drv)} = 0.8$ V (This will be present only in the LED string with the highest LED forward voltage.)

$V_{sup} = LED V_{F(typ)} + LED V_F \text{ mismatch} + V_{reg(drv)} = 30 \text{ V} + 2 \text{ V} + 0.8 \text{ V} = 32.8 \text{ V}$

P_{tot} calculation:

$P_{tot} = IC_power + LED \text{ drivers_power};$

$IC_power = (I_{DD} \times V_{DD})$

$IC_power = (0.012 \text{ A} \times 5 \text{ V}) = 0.06 \text{ W}$

$LED \text{ drivers_power} = [(16 - 1) \times (I_{LED}) \times (LED V_F \text{ mismatch} + V_{reg(drv)})] + (I_{LED} \times V_{reg(drv)})$

$LED \text{ drivers_power} = [15 \times 0.05 \text{ A} \times (2 \text{ V} + 0.8 \text{ V})] + (0.05 \text{ A} \times 0.8 \text{ V}) = 2.14 \text{ W}$

$P_{tot} = 0.06 \text{ W} + 2.14 \text{ W} = 2.2 \text{ W}$

T_j calculation:

$$T_j = T_{amb} + R_{th(j-a)} \times P_{tot}$$

$$T_j = 50 \text{ °C} + (31 \text{ °C/W} \times 2.2 \text{ W}) = 118.2 \text{ °C}$$

This confirms that the junction temperature is below the minimum overtemperature threshold of 125 °C, which ensures the device will not go into thermal shutdown under these conditions.

It is important to mention that the value of the thermal resistance junction-to-ambient ($R_{th(j-a)}$) strongly depends in the PCB design. Therefore, the thermal pad of the device should be attached to a big enough PCB copper area to ensure proper thermal dissipation (similar to JEDEC 51 standard). Several thermal vias in the PCB thermal pad should be used as well to increase the effectiveness of the heat dissipation (e.g., 15 thermal vias). The thermal vias should be distributed evenly in the PCB thermal pad.

Finally it is important to point out that this calculation should be taken as a reference only and therefore evaluations should still be performed under the application environment and conditions to confirm proper system operation.

11. Limiting values

Table 17. Limiting values

In accordance with the Absolute Maximum Rating System (IEC 60134).

Symbol	Parameter	Conditions	Min	Max	Unit
V _{DD}	supply voltage		-0.5	+6.0	V
V _{I/O}	voltage on an input/output pin		V _{SS} - 0.5	5.5	V
V _{drv(LED)}	LED driver voltage		V _{SS} - 0.5	40	V
I _{O(LEDn)}	output current on pin LEDn		-	65	mA
I _{SS}	ground supply current		-	1.0	A
I _{lu}	latch-up current	JESD	[1] -	90	mA
P _{tot}	total power dissipation	T _{amb} = 25 °C	-	3.2	W
		T _{amb} = 85 °C	-	1.3	W
T _{stg}	storage temperature		-65	+150	°C
T _{amb}	ambient temperature	operating	-40	+85	°C
T _j	junction temperature		-40	+125	°C

[1] Class II, Level B for A1 (pin 3), A2 (pin 4). All other pins are Class II, Level A (±100 mA).

12. Thermal characteristics

Table 18. Thermal characteristics

Symbol	Parameter	Conditions	Typ	Unit
R _{th(j-a)}	thermal resistance from junction to ambient	HTSSOP28	[1] 31	°C/W

[1] Per JEDEC 51 standard for multilayer PCB.

13. Static characteristics

Table 19. Static characteristics

$V_{DD} = 3\text{ V to }5.5\text{ V}$; $V_{SS} = 0\text{ V}$; $T_{amb} = -40\text{ }^{\circ}\text{C to }+85\text{ }^{\circ}\text{C}$; unless otherwise specified.

Symbol	Parameter	Conditions	Min	Typ	Max	Unit
Supply						
V_{DD}	supply voltage		3	-	5.5	V
I_{DD}	supply current	on pin V_{DD} ; operating mode; no load; $f_{USCL} = 5\text{ MHz}$				
		$V_{DD} = 3.3\text{ V}$	-	6.5	14	mA
		$V_{DD} = 5.5\text{ V}$	-	7.0	15	mA
I_{DD}	supply current	$R_{ext} = \text{open}$; LED[15:0] = off	-	0.7	14	mA
		$R_{ext} = 2\text{ k}\Omega$; LED[15:0] = off	-	2	14	mA
		$R_{ext} = 1\text{ k}\Omega$; LED[15:0] = off	-	3	15	mA
		$R_{ext} = 2\text{ k}\Omega$; LED[15:0] = on	-	2	15	mA
		$R_{ext} = 1\text{ k}\Omega$; LED[15:0] = on	-	3	16	mA
I_{stb}	standby current	on pin V_{DD} ; no load; $f_{USCL} = 0\text{ Hz}$; MODE1[4] = 1; $V_I = V_{DD}$				
		$V_{DD} = 3.3\text{ V}$	-	100	600	μA
		$V_{DD} = 5.5\text{ V}$	-	100	700	μA
V_{POR}	power-on reset voltage	no load; $V_I = V_{DD}$ or V_{SS}	-	2.65	2.8	V
V_{PDR}	power-down reset voltage	no load; $V_I = V_{DD}$ or V_{SS}	[1] 0.8	1.25	-	V
Input USCL; input USDA						
V_{IL}	LOW-level input voltage		-0.5	-	+0.3 V_{DD}	V
V_{IH}	HIGH-level input voltage		0.7 V_{DD}	-	5.5	V
I_L	leakage current	$V_I = V_{DD}$ or V_{SS}	-1	-	+1	μA
C_i	input capacitance	$V_I = V_{SS}$	-	6	10	pF
Current controlled outputs (LED[15:0])						
I_O	output current	$V_O = 0.8\text{ V}$; IREFx = FFh				
		$R_{ext} = 1\text{ k}\Omega$	52	57.5	62	mA
		$R_{ext} = 2\text{ k}\Omega$	25.5	28.5	31.5	mA
ΔI_O	output current variation	$V_O = 0.8\text{ V}$; IREFx = FFh				
		between bits (different ICs, same channel); $R_{ext} = 1\text{ k}\Omega$	-	± 2.5	± 8	%
		between bits (2 channels, same IC); $R_{ext} = 2\text{ k}\Omega$	-	± 1.7	± 5.8	%
$V_{reg(driv)}$	driver regulation voltage	minimum regulation voltage; IREFx = FFh; $R_{ext} = 1\text{ k}\Omega$	0.8	1.0	40	V
$I_{L(off)}$	off-state leakage current	$V_O = 40\text{ V}$	-1	-	+1	μA
Address inputs, RESET input						
V_{IL}	LOW-level input voltage		-0.5	-	+0.3 V_{DD}	V
V_{IH}	HIGH-level input voltage		0.7 V_{DD}	-	5.5	V
I_{LI}	input leakage current		-1	-	+1	μA
C_i	input capacitance		-	3.7	5	pF

Table 19. Static characteristics ...continued

$V_{DD} = 3\text{ V to }5.5\text{ V}$; $V_{SS} = 0\text{ V}$; $T_{amb} = -40\text{ }^{\circ}\text{C to }+85\text{ }^{\circ}\text{C}$; unless otherwise specified.

Symbol	Parameter	Conditions	Min	Typ	Max	Unit
Overtemperature protection						
$T_{th(otp)}$	overtemperature protection threshold temperature	rising	125	145	160	$^{\circ}\text{C}$
		hysteresis	-	20	-	$^{\circ}\text{C}$

[1] V_{DD} must be lowered to 0.8 V in order to reset part.

14. Dynamic characteristics

Table 20. Dynamic characteristics

All the timing limits are valid within the operating supply voltage and ambient temperature range; $V_{DD} = 3\text{ V} \pm 0.2\text{ V}$ and $5.5\text{ V} \pm 0.3\text{ V}$; $T_{amb} = -40\text{ }^{\circ}\text{C to }+85\text{ }^{\circ}\text{C}$; and refer to V_{IL} and V_{IH} with an input voltage of V_{SS} to V_{DD} .

Symbol	Parameter	Conditions	Min	Typ	Max	Unit
f_{USCL}	USCL clock frequency	[1]	0	-	5	MHz
t_{BUF}	bus free time between a STOP and START condition		0.08	-	-	μs
$t_{HD,STA}$	hold time (repeated) START condition		0.05	-	-	μs
$t_{SU,STA}$	set-up time for a repeated START condition		0.05	-	-	μs
$t_{SU,STO}$	set-up time for STOP condition		0.05	-	-	μs
$t_{HD,DAT}$	data hold time		10	-	-	ns
$t_{SU,DAT}$	data set-up time		30	-	-	ns
t_{LOW}	LOW period of the USCL clock		50	-	-	ns
t_{HIGH}	HIGH period of the USCL clock		50	-	-	ns
t_f	fall time of both USDA and USCL signals		-	-	50	ns
t_r	rise time of both USDA and USCL signals		-	-	50	ns
t_{SP}	pulse width of spikes that must be suppressed by the input filter		-	-	10	ns

[1] Minimum USCL clock frequency is limited by the bus time-out feature, which resets the serial bus interface if either USDA or USCL is held LOW for a minimum of 25 ms. Disable bus time-out feature for DC operation.

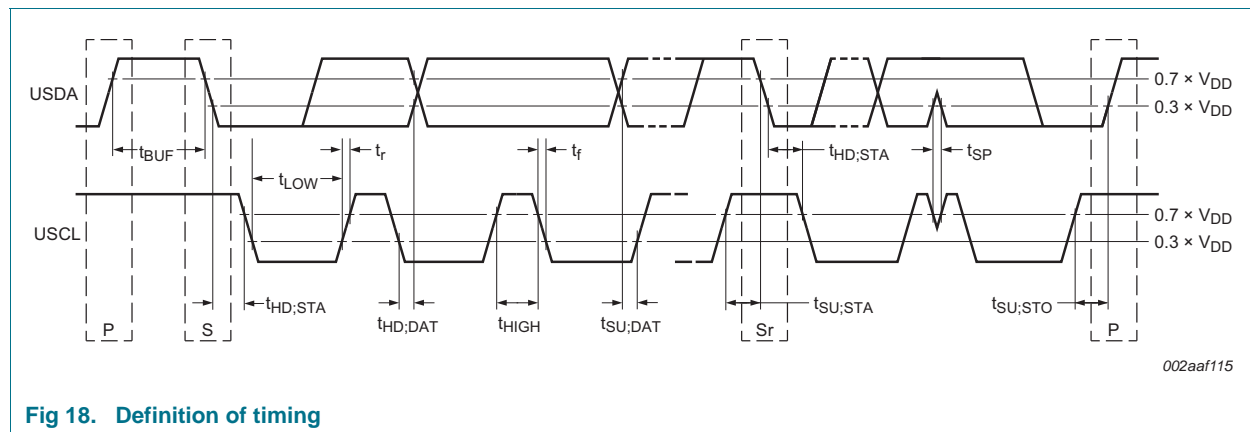
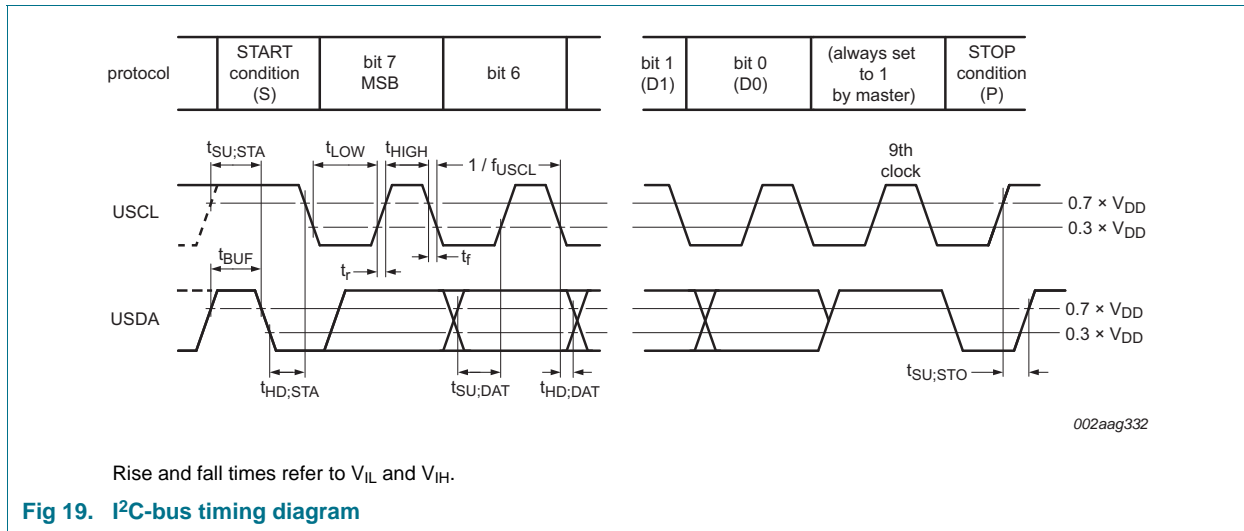
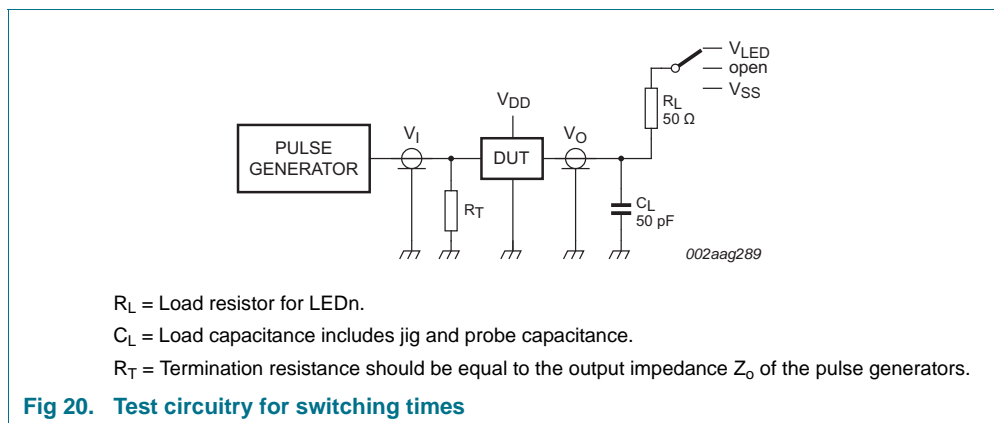


Fig 18. Definition of timing



15. Test information



16. Package outline

HTSSOP28: plastic thermal enhanced thin shrink small outline package; 28 leads; body width 4.4 mm; lead pitch 0.65 mm; exposed die pad

SOT1172-2

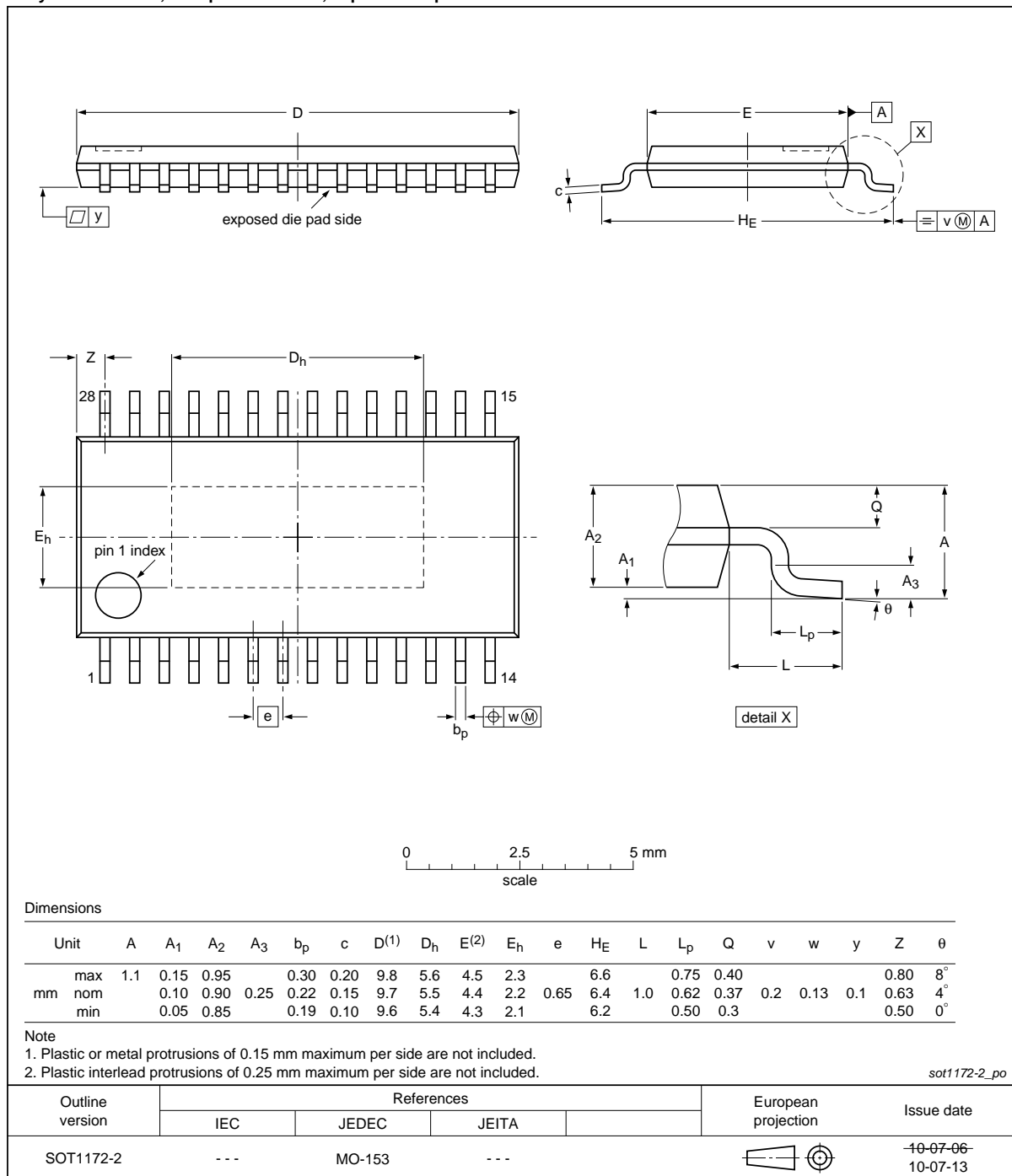


Fig 21. Package outline SOT1172-2 (HTSSOP28)

17. Handling information

All input and output pins are protected against ElectroStatic Discharge (ESD) under normal handling. When handling ensure that the appropriate precautions are taken as described in *JESD625-A* or equivalent standards.

18. Soldering of SMD packages

This text provides a very brief insight into a complex technology. A more in-depth account of soldering ICs can be found in Application Note *AN10365 "Surface mount reflow soldering description"*.

18.1 Introduction to soldering

Soldering is one of the most common methods through which packages are attached to Printed Circuit Boards (PCBs), to form electrical circuits. The soldered joint provides both the mechanical and the electrical connection. There is no single soldering method that is ideal for all IC packages. Wave soldering is often preferred when through-hole and Surface Mount Devices (SMDs) are mixed on one printed wiring board; however, it is not suitable for fine pitch SMDs. Reflow soldering is ideal for the small pitches and high densities that come with increased miniaturization.

18.2 Wave and reflow soldering

Wave soldering is a joining technology in which the joints are made by solder coming from a standing wave of liquid solder. The wave soldering process is suitable for the following:

- Through-hole components
- Leaded or leadless SMDs, which are glued to the surface of the printed circuit board

Not all SMDs can be wave soldered. Packages with solder balls, and some leadless packages which have solder lands underneath the body, cannot be wave soldered. Also, leaded SMDs with leads having a pitch smaller than ~0.6 mm cannot be wave soldered, due to an increased probability of bridging.

The reflow soldering process involves applying solder paste to a board, followed by component placement and exposure to a temperature profile. Leaded packages, packages with solder balls, and leadless packages are all reflow solderable.

Key characteristics in both wave and reflow soldering are:

- Board specifications, including the board finish, solder masks and vias
- Package footprints, including solder thieves and orientation
- The moisture sensitivity level of the packages
- Package placement
- Inspection and repair
- Lead-free soldering versus SnPb soldering

18.3 Wave soldering

Key characteristics in wave soldering are:

- Process issues, such as application of adhesive and flux, clinching of leads, board transport, the solder wave parameters, and the time during which components are exposed to the wave
- Solder bath specifications, including temperature and impurities

18.4 Reflow soldering

Key characteristics in reflow soldering are:

- Lead-free versus SnPb soldering; note that a lead-free reflow process usually leads to higher minimum peak temperatures (see [Figure 22](#)) than a SnPb process, thus reducing the process window
- Solder paste printing issues including smearing, release, and adjusting the process window for a mix of large and small components on one board
- Reflow temperature profile; this profile includes preheat, reflow (in which the board is heated to the peak temperature) and cooling down. It is imperative that the peak temperature is high enough for the solder to make reliable solder joints (a solder paste characteristic). In addition, the peak temperature must be low enough that the packages and/or boards are not damaged. The peak temperature of the package depends on package thickness and volume and is classified in accordance with [Table 21](#) and [22](#)

Table 21. SnPb eutectic process (from J-STD-020C)

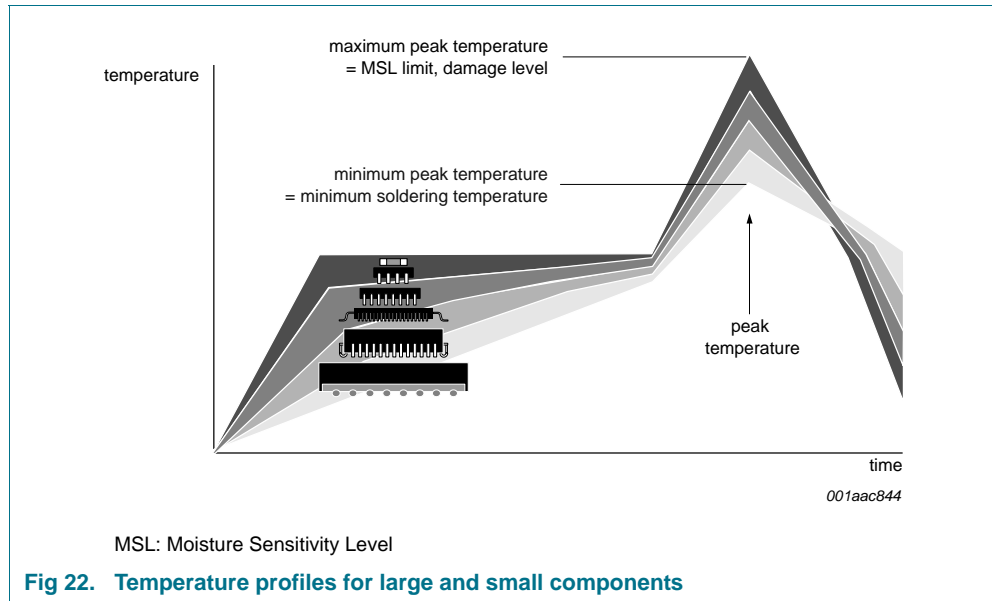
Package thickness (mm)	Package reflow temperature (°C)	
	Volume (mm ³)	
	< 350	≥ 350
< 2.5	235	220
≥ 2.5	220	220

Table 22. Lead-free process (from J-STD-020C)

Package thickness (mm)	Package reflow temperature (°C)		
	Volume (mm ³)		
	< 350	350 to 2000	> 2000
< 1.6	260	260	260
1.6 to 2.5	260	250	245
> 2.5	250	245	245

Moisture sensitivity precautions, as indicated on the packing, must be respected at all times.

Studies have shown that small packages reach higher temperatures during reflow soldering, see [Figure 22](#).



For further information on temperature profiles, refer to Application Note AN10365 “Surface mount reflow soldering description”.

19. Abbreviations

Table 23. Abbreviations

Acronym	Description
ACK	Acknowledge
CDM	Charged-Device Model
DUT	Device Under Test
EMC	ElectroMagnetic Compatibility
ESD	ElectroStatic Discharge
FET	Field-Effect Transistor
HBM	Human Body Model
I ² C-bus	Inter-Integrated Circuit bus
LCD	Liquid Crystal Display
LED	Light Emitting Diode
LSB	Least Significant Bit
MSB	Most Significant Bit
NMOS	Negative-channel Metal-Oxide Semiconductor
PCB	Printed-Circuit Board
PMOS	Positive-channel Metal-Oxide Semiconductor
PWM	Pulse Width Modulation
RGB	Red/Green/Blue
RGBA	Red/Green/Blue/Amber
SMBus	System Management Bus

20. References

- [1] AN10897, “A guide to designing for ESD and EMC” — NXP Semiconductors
- [2] AN11131, “How to improve system level ESD performance” — NXP Semiconductors

21. Revision history

Table 24. Revision history

Document ID	Release date	Data sheet status	Change notice	Supersedes
PCU9955 v.2	20121002	Product data sheet	-	PCU9955 v.1
Modifications:	<ul style="list-style-type: none"> • Table 5 “MODE1 - Mode register 1 (address 00h) bit description”, Table note [1], first sentence: changed from “set to logic 1” to “set to logic 0” • Section 7.2 “Control register”: <ul style="list-style-type: none"> – second paragraph on page 9: changed from “AI0 = 1” to “AI0 = 0”; – changed from “keeps sending or reading data” to “keeps sending data” – third paragraph on page 9: changed from “keeps sending or reading data” to “keeps sending data” • Section 7.5 “Hardware reset recovery”, first paragraph, second sentence: deleted “(typical)” • Section 7.6 “Software reset”, second paragraph, first sentence: deleted “(typical)” 			
PCU9955 v.1	20111117	Product data sheet	-	-

22. Legal information

22.1 Data sheet status

Document status ^{[1][2]}	Product status ^[3]	Definition
Objective [short] data sheet	Development	This document contains data from the objective specification for product development.
Preliminary [short] data sheet	Qualification	This document contains data from the preliminary specification.
Product [short] data sheet	Production	This document contains the product specification.

[1] Please consult the most recently issued document before initiating or completing a design.

[2] The term 'short data sheet' is explained in section "Definitions".

[3] The product status of device(s) described in this document may have changed since this document was published and may differ in case of multiple devices. The latest product status information is available on the Internet at URL <http://www.nxp.com>.

22.2 Definitions

Draft — The document is a draft version only. The content is still under internal review and subject to formal approval, which may result in modifications or additions. NXP Semiconductors does not give any representations or warranties as to the accuracy or completeness of information included herein and shall have no liability for the consequences of use of such information.

Short data sheet — A short data sheet is an extract from a full data sheet with the same product type number(s) and title. A short data sheet is intended for quick reference only and should not be relied upon to contain detailed and full information. For detailed and full information see the relevant full data sheet, which is available on request via the local NXP Semiconductors sales office. In case of any inconsistency or conflict with the short data sheet, the full data sheet shall prevail.

Product specification — The information and data provided in a Product data sheet shall define the specification of the product as agreed between NXP Semiconductors and its customer, unless NXP Semiconductors and customer have explicitly agreed otherwise in writing. In no event however, shall an agreement be valid in which the NXP Semiconductors product is deemed to offer functions and qualities beyond those described in the Product data sheet.

22.3 Disclaimers

Limited warranty and liability — Information in this document is believed to be accurate and reliable. However, NXP Semiconductors does not give any representations or warranties, expressed or implied, as to the accuracy or completeness of such information and shall have no liability for the consequences of use of such information. NXP Semiconductors takes no responsibility for the content in this document if provided by an information source outside of NXP Semiconductors.

In no event shall NXP Semiconductors be liable for any indirect, incidental, punitive, special or consequential damages (including - without limitation - lost profits, lost savings, business interruption, costs related to the removal or replacement of any products or rework charges) whether or not such damages are based on tort (including negligence), warranty, breach of contract or any other legal theory.

Notwithstanding any damages that customer might incur for any reason whatsoever, NXP Semiconductors' aggregate and cumulative liability towards customer for the products described herein shall be limited in accordance with the *Terms and conditions of commercial sale* of NXP Semiconductors.

Right to make changes — NXP Semiconductors reserves the right to make changes to information published in this document, including without limitation specifications and product descriptions, at any time and without notice. This document supersedes and replaces all information supplied prior to the publication hereof.

Suitability for use — NXP Semiconductors products are not designed, authorized or warranted to be suitable for use in life support, life-critical or safety-critical systems or equipment, nor in applications where failure or malfunction of an NXP Semiconductors product can reasonably be expected to result in personal injury, death or severe property or environmental damage. NXP Semiconductors and its suppliers accept no liability for inclusion and/or use of NXP Semiconductors products in such equipment or applications and therefore such inclusion and/or use is at the customer's own risk.

Applications — Applications that are described herein for any of these products are for illustrative purposes only. NXP Semiconductors makes no representation or warranty that such applications will be suitable for the specified use without further testing or modification.

Customers are responsible for the design and operation of their applications and products using NXP Semiconductors products, and NXP Semiconductors accepts no liability for any assistance with applications or customer product design. It is customer's sole responsibility to determine whether the NXP Semiconductors product is suitable and fit for the customer's applications and products planned, as well as for the planned application and use of customer's third party customer(s). Customers should provide appropriate design and operating safeguards to minimize the risks associated with their applications and products.

NXP Semiconductors does not accept any liability related to any default, damage, costs or problem which is based on any weakness or default in the customer's applications or products, or the application or use by customer's third party customer(s). Customer is responsible for doing all necessary testing for the customer's applications and products using NXP Semiconductors products in order to avoid a default of the applications and the products or of the application or use by customer's third party customer(s). NXP does not accept any liability in this respect.

Limiting values — Stress above one or more limiting values (as defined in the Absolute Maximum Ratings System of IEC 60134) will cause permanent damage to the device. Limiting values are stress ratings only and (proper) operation of the device at these or any other conditions above those given in the Recommended operating conditions section (if present) or the Characteristics sections of this document is not warranted. Constant or repeated exposure to limiting values will permanently and irreversibly affect the quality and reliability of the device.

Terms and conditions of commercial sale — NXP Semiconductors products are sold subject to the general terms and conditions of commercial sale, as published at <http://www.nxp.com/profile/terms>, unless otherwise agreed in a valid written individual agreement. In case an individual agreement is concluded only the terms and conditions of the respective agreement shall apply. NXP Semiconductors hereby expressly objects to applying the customer's general terms and conditions with regard to the purchase of NXP Semiconductors products by customer.

No offer to sell or license — Nothing in this document may be interpreted or construed as an offer to sell products that is open for acceptance or the grant, conveyance or implication of any license under any copyrights, patents or other industrial or intellectual property rights.

Export control — This document as well as the item(s) described herein may be subject to export control regulations. Export might require a prior authorization from competent authorities.

Non-automotive qualified products — Unless this data sheet expressly states that this specific NXP Semiconductors product is automotive qualified, the product is not suitable for automotive use. It is neither qualified nor tested in accordance with automotive testing or application requirements. NXP Semiconductors accepts no liability for inclusion and/or use of non-automotive qualified products in automotive equipment or applications.

In the event that customer uses the product for design-in and use in automotive applications to automotive specifications and standards, customer (a) shall use the product without NXP Semiconductors' warranty of the product for such automotive applications, use and specifications, and (b) whenever customer uses the product for automotive applications beyond NXP Semiconductors' specifications such use shall be solely at customer's

own risk, and (c) customer fully indemnifies NXP Semiconductors for any liability, damages or failed product claims resulting from customer design and use of the product for automotive applications beyond NXP Semiconductors' standard warranty and NXP Semiconductors' product specifications.

Translations — A non-English (translated) version of a document is for reference only. The English version shall prevail in case of any discrepancy between the translated and English versions.

22.4 Trademarks

Notice: All referenced brands, product names, service names and trademarks are the property of their respective owners.

I²C-bus — logo is a trademark of NXP B.V.

23. Contact information

For more information, please visit: <http://www.nxp.com>

For sales office addresses, please send an email to: salesaddresses@nxp.com

24. Contents

1	General description	1	8.2	System configuration	22
2	Features and benefits	2	8.3	Data transfer	22
3	Applications	3	9	Bus transactions	23
4	Ordering information	3	10	Application design-in information	26
5	Block diagram	4	10.1	Thermal considerations	26
6	Pinning information	5	11	Limiting values	28
6.1	Pinning	5	12	Thermal characteristics	28
6.2	Pin description	5	13	Static characteristics	29
7	Functional description	6	14	Dynamic characteristics	30
7.1	Device addresses	6	15	Test information	31
7.1.1	Regular I ² C-bus slave address	6	16	Package outline	32
7.1.2	LED All Call I ² C-bus address	7	17	Handling information	33
7.1.3	LED bit Sub Call I ² C-bus addresses	7	18	Soldering of SMD packages	33
7.2	Control register	7	18.1	Introduction to soldering	33
7.3	Register definitions	9	18.2	Wave and reflow soldering	33
7.3.1	MODE1 — Mode register 1	11	18.3	Wave soldering	33
7.3.2	MODE2 — Mode register 2	11	18.4	Reflow soldering	34
7.3.3	LEDOUT0 to LEDOUT3, LED driver output state	12	19	Abbreviations	35
7.3.4	GRPPWM, group duty cycle control	12	20	References	36
7.3.5	GRPFREQ, group frequency	13	21	Revision history	36
7.3.6	PWM0 to PWM15, individual brightness control	13	22	Legal information	37
7.3.7	IREF0 to IREF15, LEDn output current value registers	14	22.1	Data sheet status	37
7.3.8	OFFSET — LEDn output delay offset register	15	22.2	Definitions	37
7.3.9	LED bit Sub Call I ² C-bus addresses for PCU9955	16	22.3	Disclaimers	37
7.3.10	ALLCALLADR, LED All Call I ² C-bus address	16	22.4	Trademarks	38
7.3.11	RESERVED1	16	23	Contact information	38
7.3.12	PWMALL — brightness control for all LEDn outputs	17	24	Contents	39
7.3.13	IREFALL — output current value for all LEDn outputs	17			
7.3.14	LED driver constant current outputs	17			
7.3.14.1	Adjusting output current	17			
7.3.15	Overtemperature protection	19			
7.4	Power-on reset	19			
7.5	Hardware reset recovery	19			
7.6	Software reset	19			
7.7	Individual brightness control with group dimming/blinking	20			
8	Characteristics of the PCU9955 Ultra Fast-mode I²C-bus	21			
8.1	Bit transfer	21			
8.1.1	START and STOP conditions	21			

Please be aware that important notices concerning this document and the product(s) described herein, have been included in section 'Legal information'.

© NXP B.V. 2012.

All rights reserved.

For more information, please visit: <http://www.nxp.com>

For sales office addresses, please send an email to: salesaddresses@nxp.com

Date of release: 2 October 2012

Document identifier: PCU9955