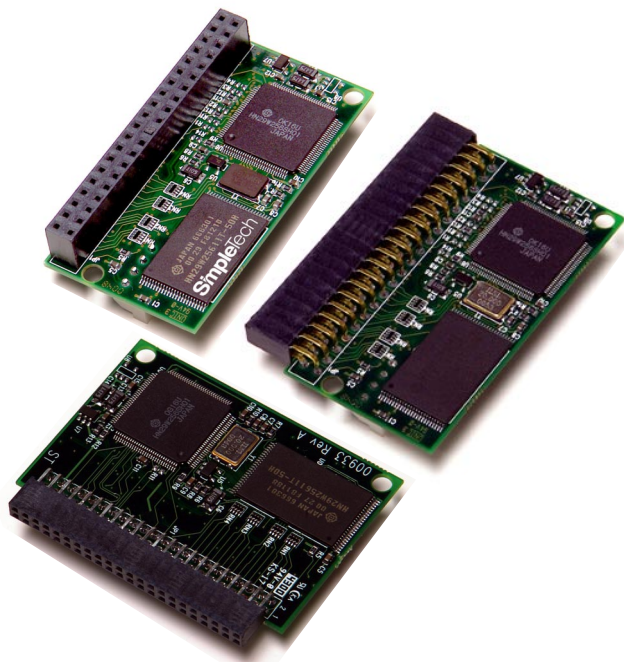


128MB to 2GB Solid-State Flash Disk Modules



FEATURES

- 128MB to 2GB Capacities
- Compact Form Factor designed to plug into standard IDE connector (vertical and horizontal plug-in available)
- Standard IDE Interface
- Configures as Master or Slave IDE device
- Endurance Guarantee of 2,000,000 Write/Erase Cycles
- Replaces IDE hard drive for applications where tough environments prohibit use of traditional rotating media
- Solid-State (no moving parts)
- High Shock and Vibration Limits
- 512 Byte Sector and ECC Defect Management Compatible to IDE Hard Disk Drives
- No “Spin” Noise Compared to Traditional Rotating Media
- Commercial and Industrial Operating Temperature Ranges Available
- Standard ECC Engine
- 7 Year Warranty

GENERAL DESCRIPTION

This SimpleTech product is a solid-state Flash Disk Module with either a standard 44-Pin connector or a standard 40-Pin connector. The module uses the standard IDE signals, common on IDE hard drives.

The module plugs directly into a standard IDE connector without need for a cable. This eliminates the installation confusion, the cost, and the potential failures commonly associated with interface cables.

The modules are available in vertical and horizontal plug-in.

SimpleTech OEM flash disk modules are the product of choice in applications requiring high reliability and high tolerance to shock, vibration, humidity, altitude, and temperature. Because there are no moving parts to service or maintain, flash disk modules are reliable alternatives to mechanical hard disk drives for high availability and mission critical applications.

While the inherent ruggedness and reliability of solid state storage relative to rotating hard drives is intuitive, new applications for OEM flash disk modules are emerging due to the low cost per usable megabyte. Most applications using embedded operating systems such as VxWorks™, Windows XP/embedded™, and Linux™ don't have multi-gigabyte data storage requirements, and therefore a cost savings can be realized when using this robust media.

ORDERING INFORMATION

<u>SimpleTech Part No.</u>	<u>Connector</u>	<u>Plug-In Orientation</u>
SLFDM40LPV-xxxJ(I)	40-Pin	Vertical
SLFDM40LPH-xxxJ(I)	40-Pin	Horizontal
SLFDM44V-xxxJ(I)	44-Pin	Vertical
SLFDM44H-xxxJ(I)	44-Pin	Horizontal

where

xxx = 128, 256, 512 for capacity in MB,
1GB, 2GB for capacity in GB

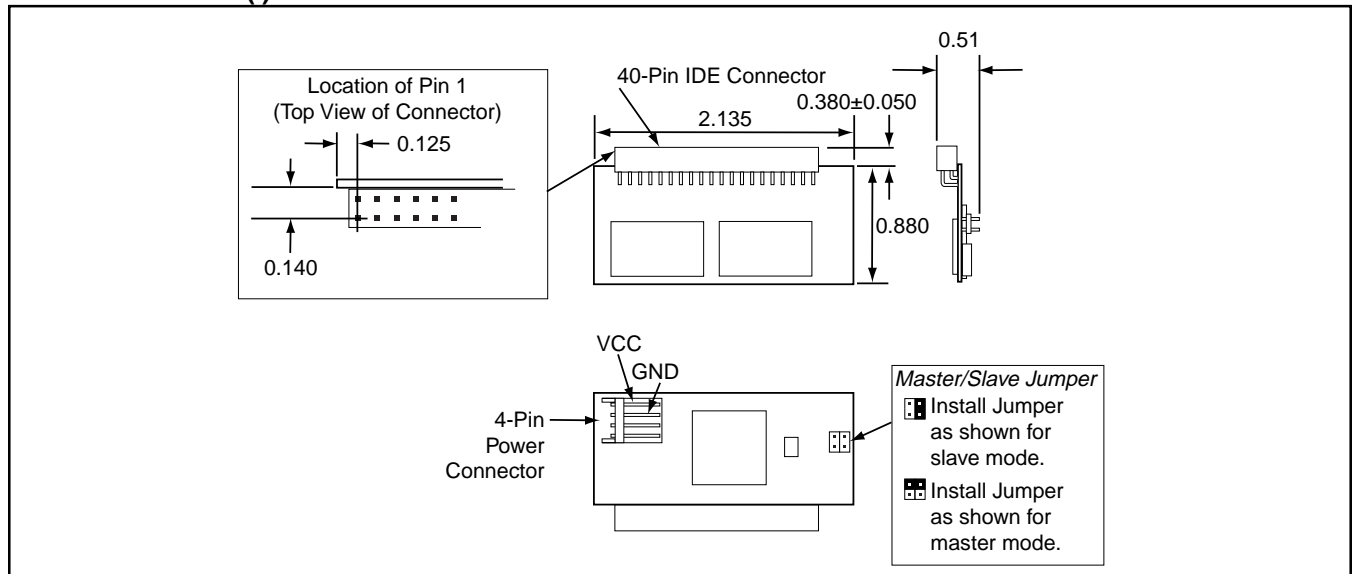
and

A part number without the “I” suffix selects commercial operating temperature range. A part number with the “I” suffix selects industrial operating temperature range.

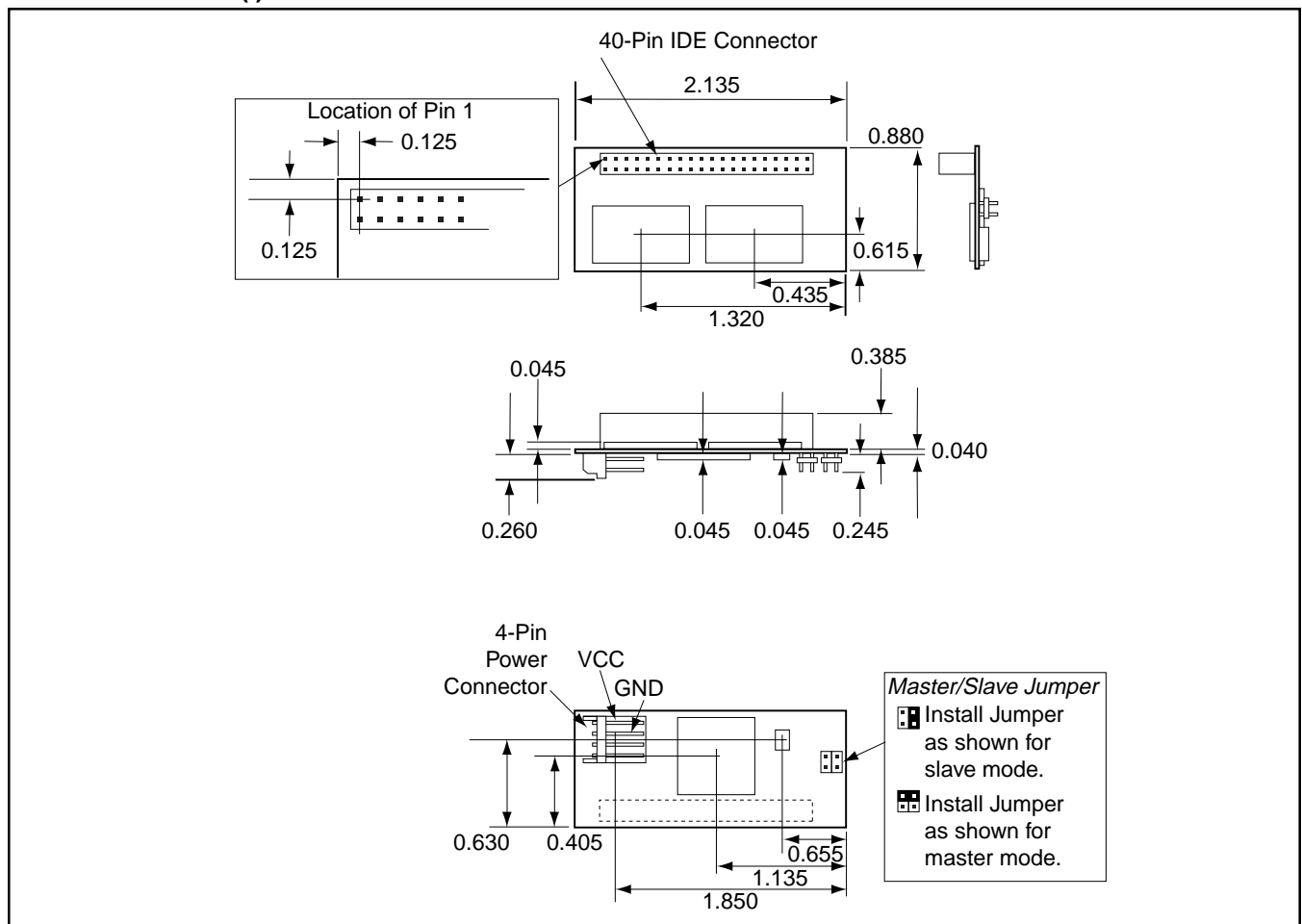
DIMENSIONS AND JUMPERS

Units are in inches. Tolerances are ±0.005.

SLFDM40LPV-xxxJ(I)



SLFDM40LPH-xxxJ(I)

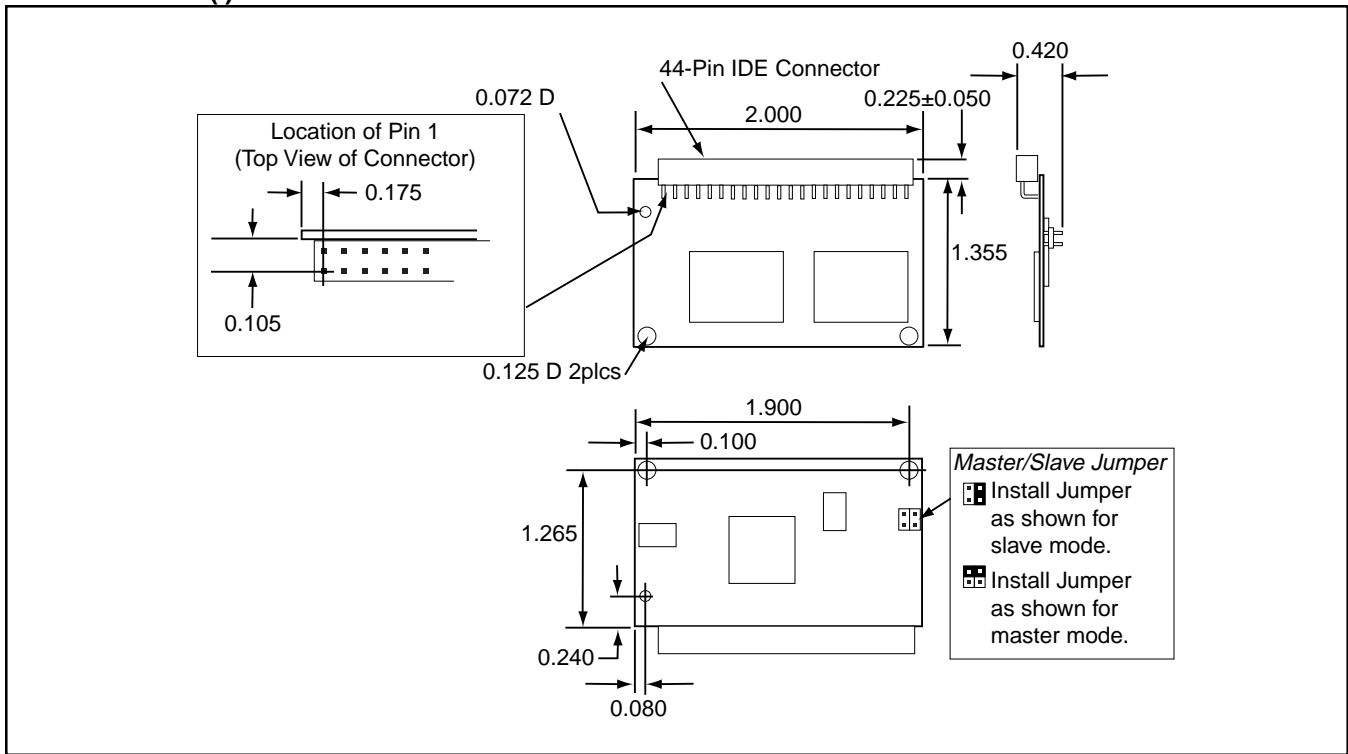


(continued)

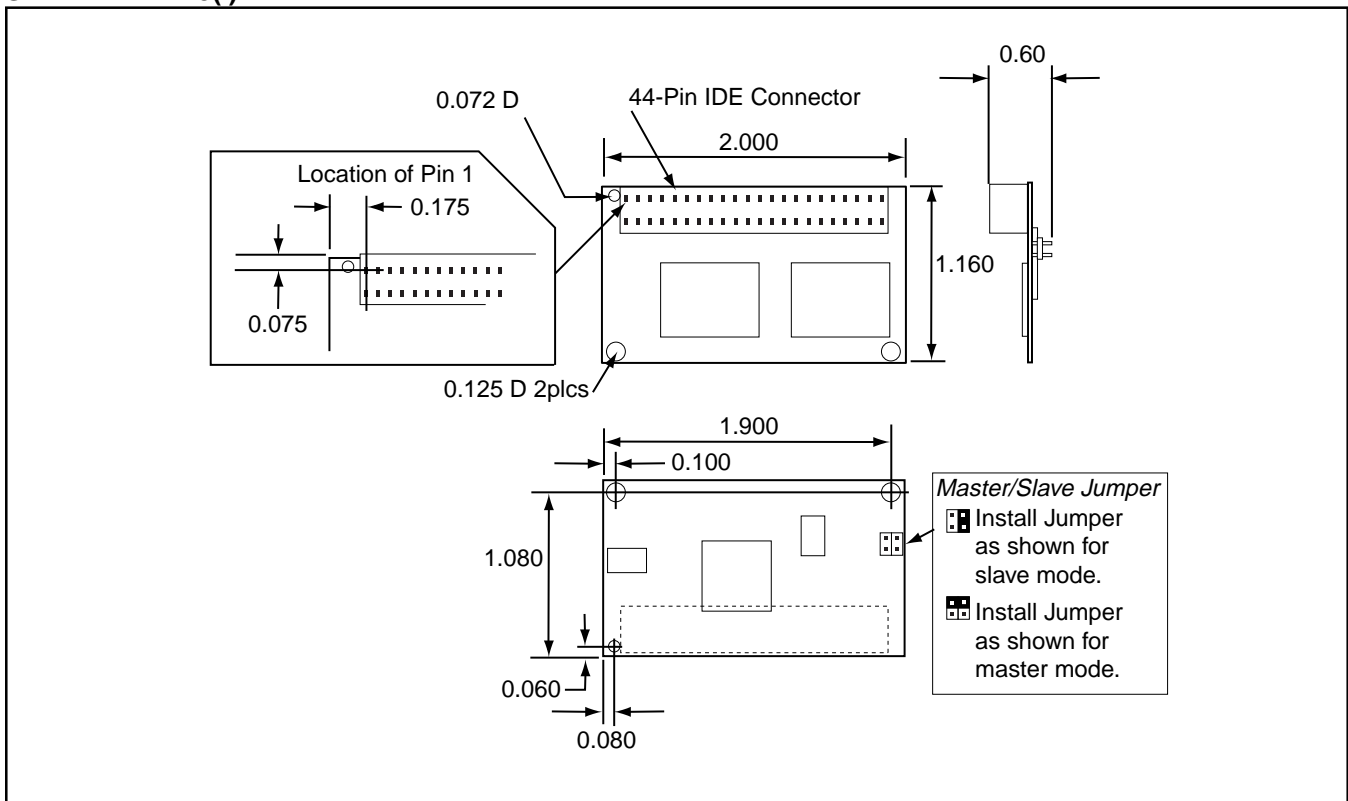
DIMENSIONS AND JUMPERS *(continued)*

Units are in inches. Tolerances are ± 0.005 .

SLFDM44V-xxxJ(I)



SLFDM44H-xxxJ(I)



PIN CONFIGURATION

Pinout

Pin Num	Pin Symbol	Pin Num	Pin Symbol
1	-RESET	23	-IOWR
2	GND	24	GND
3	D07	25	-IORD
4	D08	26	GND
5	D06	27	IORDY
6	D09	28	-CSEL
7	D05	29	-DACK
8	D10	30	GND
9	D04	31	INTRQ
10	D11	32	-IOIS16
11	D03	33	A1
12	D12	34	-PDIAG
13	D02	35	A0
14	D13	36	A2
15	D01	37	-CS1
16	D14	38	-CS2
17	D00	39	-DASP
18	D15	40	GND
19	GND	41	VCC*
20	Key	42	VCC*
21	DREQ	43	GND*
22	GND	44	NC*

"-" indicates signal is active low.

"*" Pins 41-44 apply only to the 44-pin products.

44-Pin Mating Connector

Compatible mating connectors are available in the following Samtec lines: TMM, TMMH, MTMM, TW, LTMM, MMT, FTW, ZLTMM.

The LTMM series is a shrouded connector, suitable for most applications.

Example Samtec P/N:

- LTMM-122-02-G-D (Through)
- LTMM-122-02-G-D-RA (Right Angle)
- LTMM-122-02-G-D-SM (Surface Mount)

40-Pin Mating Connector

Compatible mating connectors are available in the following Samtec lines: TSM, TSW, MTSW, MTLW, EW, ZW through ZSS.

The TSS series is a shrouded connector, suitable for most applications.

Example Samtec P/N:

- TSS-120-02-G-D (Through)
- TSS-120-02-G-D-RA (Right Angle)

Signal Description

Signal Name	Dir	Pin	Description
-DASP	I/O	39	This input/output is the Disk Active/Slave Present signal in the Master/Slave handshake protocol.
D15-D00	I/O	18, 16, 14, 12, 10, 8, 6, 4, 3, 5, 7, 9, 11, 13, 15, 17	All Task File operations occur in byte mode on the low order bus D00-D07 while all data transfers are 16 bit using D00-D15.
-IOWR	I	23	The I/O Write strobe pulse is used to clock I/O data on the drive Data bus into the Drive controller registers when the Drive is configured to use the I/O interface. The clocking will occur on the negative to positive edge of the signal (trailing edge).
-IORD	I	25	This is an I/O Read strobe generated by the host. This signal gates I/O data onto the bus from the Drive.
INTRQ	O	31	Signal is the active high Interrupt Request to the host.
A2-A0	I	35, 33, 36	A[2:0] are used to select the one of eight registers in the Task File.
-CS1, -CS2	I	37, 38	-CS1 is the chip select for the task file registers while -CS2 is used to select the Alternate Status Register and the Device Control Register.
-CSEL	I	28	This internally pulled up signal is used to configure this device as a Master or a Slave. When the pin is grounded, this device is configured as a Master. When the pin is open, this device is configured as a Slave
-IOIS16	O	32	Not used.
-PDIAG	I/O	34	This input/output is the Pass Diagnostic signal in the Master/Slave handshake protocol.
DREQ	O	21	Not used.
-DACK	I	29	Not used.
-IORDY	O	27	Not used, and pulled up to VCC through a 4.7K ohm resistor.
-RESET	I	1	This input pin is the active low hardware reset from the host.
VCC	—	41, 42	Power. Applies to the 44-pin version only.
GND	—	2, 19, 22, 24, 26, 30, 40, 43	Ground.
NC	—	20, 44	No connect

ABSOLUTE MAXIMUM RATINGS

Parameter	Symbol	Value	Unit
Voltage on any pin w.r.t. Vss	Vin, Vout	-0.5 to VCC+0.5	V
Storage Temperature range	Tstg	-65 to +150	°C

RECOMMENDED OPERATING CONDITIONS

Parameter	Symbol	Min	Typ	Max	Unit
Commercial operating temperature	Ta	0	25	70	°C
Industrial operating temperature	Ta	-40	—	85	°C
VCC voltage	VCC	4.75	5.0	5.25	V

PERFORMANCE

Item	Performance
Data Transfer Rate To/From Host	16.7 MBytes/s (burst)
Sustained Read	up to 5 MBytes/s
Sustained Write	up to 5 MBytes/s

RELIABILITY

Item	Value
Data Write/Erase Endurance	2 million cycles min.
Data reliability	1 in 10 ¹⁴ bits, read
Data retention	10 years

ENVIRONMENTAL CHARACTERISTICS

Item	Value
Shock	2K G, half-sine, 0.330 ms to 0.750 ms (per MIL-STD-202G Method 213B, Condition A)
Vibration	30 G 10Hz-2KHz (per MIL-STD-202G Method 204D 20 min/sweep, 12 sweeps/axis)
Humidity	85°C 95% RH, 5.5V, 500 hrs

CHS PARAMETERS

Capacity	C	H	S
128MB	983	8	32
256MB	980	16	32
512MB	1013	16	63
1GB	2006	16	63
2GB	4014	16	63

C=cylinders; H=heads; S=sectors/track

DC CHARACTERISTICS (Ta=0 to 70°C for commercial temperature parts, -40 to 85°C for industrial temperature parts; VCC=5V±5%)

Symbol	Parameter	Min	Max	Units	Notes
VIL	Input LOW Voltage	-0.3	+0.8	V	
VIH	Input HIGH Voltage	2.0	VCC+0.3	V	
VOL	Output LOW Voltage		0.8	V	at 4mA
VOH	Output HIGH Voltage	4.0		V	at 1mA
ICC	Operating Current, VCC=5.0V Sleep mode Operating		1200 30	μA mA	
ILI	Input Leakage Current		10	μA	
ILO	Output Leakage Current		2	μA	
CI/O	Input/output Capacitance		25	pF	

AC CHARACTERISTICS ($T_a=0$ to 70°C for commercial temperature parts, -40 to 85°C for industrial temperature parts; $V_{CC}=5V\pm 5\%$)

Register Access AC Characteristics for True IDE

Parameter	Symbol	Mode0	Mode1	Mode2	Mode3	Mode4	Unit
Cycle time (min)	t ₀	600	383	330	180	120	ns
Address valid to -IORD/-IOWR setup	t ₁	70	50	30	30	25	ns
-IORD/-IOWR pulse width 8bit (min)	t ₂	290	290	290	80	70	ns
-IORD/-IOWR recovery time (min)	t _{2i}	—	—	—	70	25	ns
-IOWR data setup (min)	t ₃	60	45	30	30	20	ns
-IOWR data hold (min)	t ₄	30	20	15	10	10	ns
-IORD data setup (min)	t ₅	50	35	20	20	20	ns
-IORD data hold (min)	t ₆	5	5	5	5	5	ns
-IORD data tristate (max)	t _{6z}	30	30	30	30	30	ns
Address valid to -IOCS16 assert. (max)	t ₇	90	50	40	n/a	n/a	ns
Address valid to -IOCS16 release (max)	t ₈	60	45	30	n/a	n/a	ns
-IORD/-IOWR to address valid hold	t ₉	20	15	10	10	10	ns

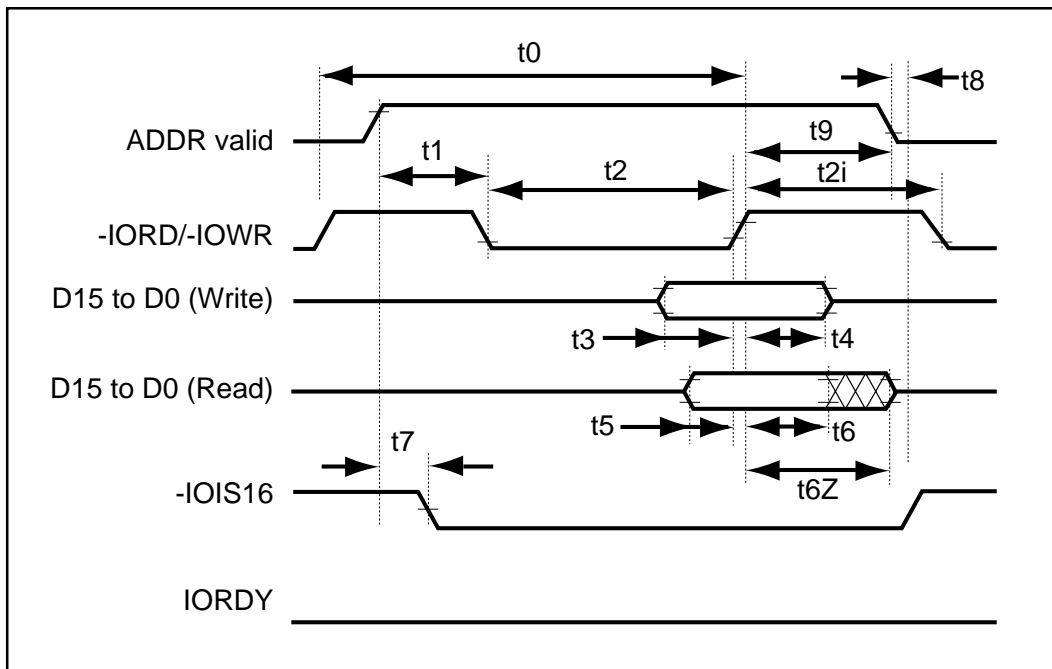
PIO Mode Access AC Characteristics for True IDE

Parameter	Symbol	Mode0	Mode1	Mode2	Mode3	Mode4	Unit
Cycle time (min)	t ₀	600	383	240	180	120	ns
Address valid to -IORD/-IOWR setup	t ₁	70	50	30	30	25	ns
-IORD/-IOWR pulse width 16bit (min)	t ₂	165	125	100	80	70	ns
-IORD/-IOWR recovery time (min)	t _{2i}	-	-	-	70	25	ns
-IOWR data setup (min)	t ₃	60	45	30	30	20	ns
IOWR data hold (min)	t ₄	30	20	15	10	10	ns
-IORD data setup (min)	t ₅	50	35	20	20	20	ns
-IORD data hold (min)	t ₆	5	5	5	5	5	ns
-IORD data tristate (max)	t _{6z}	30	30	30	30	30	ns
Address valid to -IOCS16 assert. (max)	t ₇	90	50	40	n/a	n/a	ns
Address valid to -IOCS16 release (max)	t ₈	60	45	30	n/a	n/a	ns
-IORD/-IOWR to address valid hold	t ₉	20	15	10	10	10	ns

(continued)

AC CHARACTERISTICS *(continued)*

True IDE Mode Access Read/Write Timings



TRUE IDE MODE

The drive is configured in a True IDE mode at power up. The data register is accessed in word (16-bit) mode at power up. The drive permits 8-bit accesses if the host issues a Set Feature Command to put the device in 8-bit mode.

True IDE Mode Read I/O Function

Mode	-CE2	-CE1	A0 to A2	-IOR	-IOWR	D15-D8	D7-D0
Invalid Mode	L	L	x	x	x	High Z	High Z
Standby Mode	H	H	x	x	x	High Z	High Z
Data Register Access	H	L	0	L	H	Odd-Byte	Even-Byte
Alternate Status Access	L	H	6h	L	H	High Z	Status Out
Other Task File Access	H	L	1-7h	L	H	High Z	Data

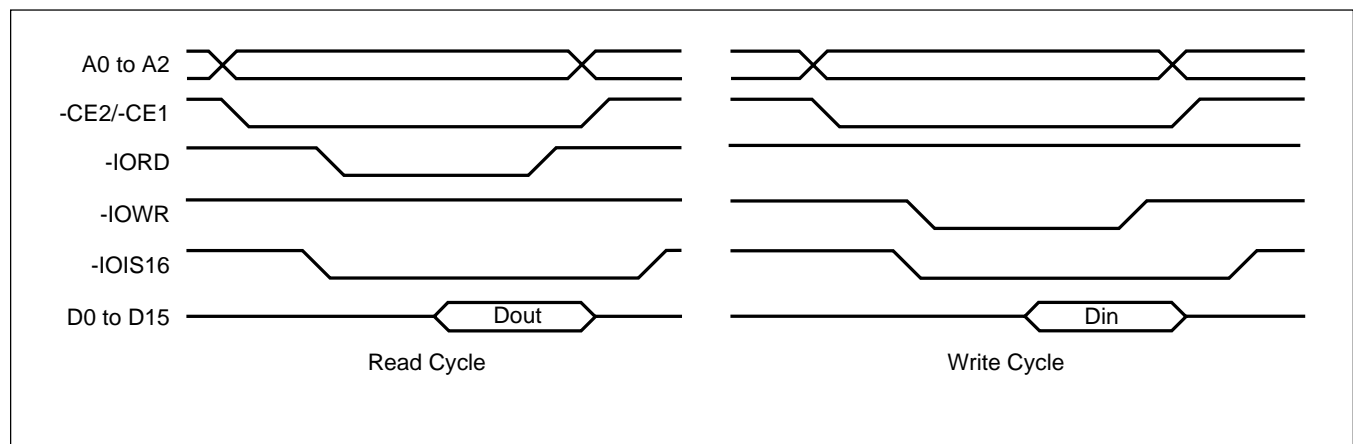
x: L or H

True IDE Mode Write I/O Function

Mode	-CE2	-CE1	A0 to A2	-IOR	-IOWR	D15-D8	D7-D0
Invalid Mode	L	L	x	x	x	Don't Care	Don't Care
Standby Mode	H	H	x	x	x	Don't Care	Don't Care
Data Register Access	H	L	0	H	L	Odd-Byte	Even-Byte
Control Register Access	L	H	6h	H	L	Don't Care	Control In
Other Task File Access	H	L	1-7h	H	L	Don't Care	Data

x: L or H

True IDE Mode I/O Access Timing Example



TASK FILE REGISTER SPECIFICATION

These registers are used for reading and writing data to the drive.

True IDE Mode I/O Map

-CE2	-CE1	A2	A1	A0	-IORD=0	-IOWR=0
1	0	0	0	0	Data register	Data register
1	0	0	0	1	Error register	Feature register
1	0	0	1	0	Sector Count register	Sector Count register
1	0	0	1	1	Sector No. register	Sector No. register
1	0	1	0	0	Cylinder Low register	Cylinder Low register
1	0	1	0	1	Cylinder High register	Cylinder High register
1	0	1	1	0	Drive Head register	Drive Head register
1	0	1	1	1	Status register	Command register
0	1	1	1	0	Alt Status register	Device Control register
0	1	1	1	1	Drive Address register	Reserved

Data Register

The Data Register is a 16 bit read/write register used for transferring data between the drive and the host. This register can be accessed in word mode and byte mode.

bit15	bit14	bit13	bit12	bit11	bit10	bit9	bit8	bit7	bit6	bit5	bit4	bit3	bit2	bit1	bit0
D0 to D15															

Error Register

This read only register is used for analyzing an error. This register is valid when the BSY bit in the Status register and Alternate Status register are set to "0" (Ready).

bit7	bit6	bit5	bit4	bit3	bit2	bit1	bit0
BBK	UNC	0	IDNF	0	ABRT	0	AMNF

bit	Name	Function
7	BBK (Bad Block Detected)	This bit is set when a Bad Block is detected in requested ID field—not supported
6	UNC (Data ECC Error)	This bit is set when an Uncorrectable error has occurred when reading the drive.
4	IDNF (ID Not Found)	The requested sector ID is in error or cannot be found.
2	ABRT (ABoRTed Command)	Drive status error or Aborted invalid command
0	AMNF (Address Mark Not Found)	This bit is set in case of a general error.

Diagnostic Code	Description
01h	No error detected
02h	Formatting error
03h	Sector buffer error
04h	ECC error
05h	Microprocessor error
8xh	Drive 1 failed (not used)

Feature Register

This write only register provides information regarding the features of the drive which the host wishes to utilize. See details under the SET FEATURE command.

bit7	bit6	bit5	bit4	bit3	bit2	bit1	bit0
Feature Byte							

Sector Count Register

This register contains the numbers of sectors of data requested to be transferred on a read or write operation between the host and the drive. If the value in the register is 0, a count of 256 sectors is indicated.

bit7	bit6	bit5	bit4	bit3	bit2	bit1	bit0
Sector Count Byte							

Sector Number Register

When the LBA bit in the Drive/Head register is 0, this register contains the starting sector number for any media access. When the LBA bit is set to 1, this register contains bits 7:0 of the LBA for any media access.

bit7	bit6	bit5	bit4	bit3	bit2	bit1	bit0
Sector Number Byte or bits 7:0 of the LBA							

Cylinder Low Register

In CHS mode (LBA=0), this register contains the low order bits of the starting cylinder address. In LBA mode, it contains bits 15:8 of the LBA.

bit7	bit6	bit5	bit4	bit3	bit2	bit1	bit0
Cylinder Low Byte or bits 15:8 of the LBA							

Cylinder High Register

In CHS mode (LBA=0), this register contains the high order bits of the starting cylinder address. In LBA mode, it contains bits 23:16 of the LBA.

bit7	bit6	bit5	bit4	bit3	bit2	bit1	bit0
Cylinder High Byte or bits 23:16 of the LBA							

Drive/Head Register

This register select the device address translation (CHS or LBA) and provides head address (CHS) or high order address bits 27:24 for LBA.

bit7	bit6	bit5	bit4	bit3	bit2	bit1	bit0
1	LBA	1	DRV	Head No. or LBA bits 27:24			

bit	Name	Function
7	1	This bit is set to "1".
6	LBA	LBA is a flag to select either Cylinder/Head/Sector (CHS) or Logical Block Address (LBA) mode. When LBA=0, CHS mode is selected. When LBA=1, LBA mode is selected. In LBA mode, the Logical Block Address is interrupted as follows: LBA07-LBA00: Sector Number Register D7-D0 LBA15-LBA08: Cylinder Low Register D7-D0 LBA23-LBA16: Cylinder High Register D7-D0 LBA27-LBA24: Drive/Head Register bits HS3-HS0
5	1	This bit is set to "1".
4	DRV (DRiVe select)	This bit is used for selecting the Master (drive 0) and Slave (drive 1) in Master/Slave organization. The drive is set to be drive 0 or 1 by using DRV# of the Socket and Copy register.
3-0	Head Number (HS3-HS0)	These bits are used for selecting the Head number. Bit 3 is MSB. In LBA mode, these bits represent the LBA address 27:24.

Status Register

This read only register indicates status of a command execution. When the BSY bit is “0”, the other bits are valid; when the BSY bit is “1”, the other bits are not valid. When the register is read, the interrupt (-IREQ pin) is cleared.

bit7	bit6	bit5	bit4	bit3	bit2	bit1	bit0
BSY	DRDY	DWF	DSC	DRQ	CORR	IDX	ERR

bit	Name	Function
7	BSY (BuSY)	This bit is set when the drive internal operation is executing. When this bit is set to “1”, other bits in this register are invalid.
6	DRDY (Drive ReaDY)	If this bit and DSC bit are set to “1”, the drive is capable of receiving the read and write or seek requests. If this bit is set to “0”, the drive prohibits these requests. On error, DRDY changes only after the host reads the Status Register.
5	DWF (Drive Write Fault)	This bit is set if the fault occurs during the write process.
4	DSC (Drive Seek Complete)	This bit is set when the requested sector was found.
3	DRQ (Data ReQuest)	This bit is set when information can be transferred between the host and data register.
2	CORR (CORRected data)	This bit is set when a correctable data error has occurred and the data has been corrected.
1	IDX (InDeX)	This bit is always set to “0”.
0	ERR (ERRor)	This bit is set when the previous command has ended in some type of error. The error information is set in the Error register.

Alternate Status Register

This register is the same as the Status register except that -IREQ is not negated when data is read.

Command Register

This write only register is used for writing the command that executes the drive’s operation. The command code is written in the command register after its parameters are written in the Task File during the drive ready state. See details under the ATA COMMAND SPECIFICATIONS.

Device Control Register

This write only register is used for controlling the interrupt request and issuing an ATA soft reset to the drive.

bit7	bit6	bit5	bit4	bit3	bit2	bit1	bit0
x	x	x	x	1	SRST	nIEN	0

bit	Name	Function
7-4	x	Don't care.
3	1	This bit is set to "1".
2	SRST (Software ReSeT)	This bit is set to "1" in order to force the drive to perform an AT disk control soft reset operation.
1	nIEN (Interrupt ENable)	When set to "0", it enables interrupts to the host (using the -IREQ tri-state pin). When inactive (set to "1") or drive is not selected, it disables all pending interrupts (-IREQ in high-Z). This bit is ignored in memory mode.
0	0	This bit is set to "0".

Drive Address Register

This read only register is used for confirming the drive's status. This register is provided for compatibility with the AT disk drive interface and it is not recommended that this register be mapped into the host's I/O space because of potential conflicts on bit 7.

bit7	bit6	bit5	bit4	bit3	bit2	bit1	bit0
High-Z	nWTG	nHS3	nHS2	nHS1	nHS0	nDS1	nDS0

bit	Name	Function
7	x	This bit is unused.
6	nWTG (WriTing Gate)	This bit is unused.
5-2	nHS3-0 (Head Select 3-0)	These bits are the negative value of the Head Select bits (bit 3 to 0) in the Drive/Head register
1	nDS1 (Drive Select 1)	When set to "0", drive 1 is active and selected.
0	nDS0 (Drive Select 0)	When set to "0", drive 0 is active and selected.

ATA COMMAND SPECIFICATIONS

This table with the following paragraphs summarizes the ATA command set.

No.	Command set	Code	FR	SC	SN	CY	DR	HD	LBA
1	Check Power Mode	E5h or 98h	—	Y	—	—	Y	—	—
2	Execute Drive Diagnostic	90h	—	—	—	—	Y**	—	—
3	Erase Sector(s)	C0h	—	Y	Y	Y	Y	Y	Y
4	Format Track	50h	—	Y	—	Y	Y	Y	Y
5	Identify Drive	ECh	Y	—	—	—	Y	—	—
6	Idle	E3h or 97h	—	Y	—	—	Y	—	—
7	Idle Immediate	E1h or 95h	—	—	—	—	Y	—	—
8	Initialize Drive Parameters	91h	—	Y	—	—	Y	Y	—
9	Read Buffer	E4h	—	—	—	—	Y	—	—
10	Read Multiple	C4h	—	Y	Y	Y	Y	Y	Y
11	Read Long Sector	22h or 23h*	—	—	Y	Y	Y	Y	Y
12	Read Sector(s)	20h or 21h*	—	Y	Y	Y	Y	Y	Y
13	Read Verify Sector(s)	40h or 41h*	—	Y	Y	Y	Y	Y	Y
14	Recalibrate	1Xh	—	—	—	—	Y	—	—
15	Request Sense	03h	—	—	—	—	Y	—	—
16	Seek	7Xh	—	—	Y	Y	Y	Y	Y
17	Set Features	EFh	—	Y	Y	Y	Y	Y	—
18	Set Multiple Mode	C6h	—	Y	—	—	Y	—	—
19	Set Sleep Mode	E6h or 99h	—	—	—	—	Y	—	—
20	Stand By	E2h or 96h	—	Y	—	—	Y	—	—
21	Stand By Immediate	E0h or 94h	—	—	—	—	Y	—	—
22	Translate Sector	87h	—	Y	Y	Y	Y	Y	Y
23	Wear Level	F5h	—	—	—	—	Y	Y	—
24	Write Buffer	E8h	—	—	—	—	Y	—	—
25	Write Long Sector	32h or 33h*	—	Y	Y	Y	Y	Y	Y
26	Write Multiple	C5h	—	Y	Y	Y	Y	Y	Y
27	Write Multiple w/o Erase	CDh	—	Y	Y	Y	Y	Y	Y
28	Write Sector(s)	30h or 31h*	—	Y	Y	Y	Y	Y	Y
29	Write Sector(s) w/o Erase	38h	—	Y	Y	Y	Y	Y	Y
30	Write Verify	3Ch	—	Y	Y	Y	Y	Y	Y

FR=Features Register, SC=Sector Count Register (00h to FFh), SN=Sector Number Register (01h to 20h), CY=Cylinder Registers, DR=Drive bit of Drive/Head Register, HD=Head no. (0 to 3) of Drive/Head Register, LBA=Logical Block Address Mode Supported.
Y—Set up.
“—” —Not set up.

* First command code=with retry, Second command code=without retry.
** Address to drive 0. Both drives execute command

**Check Power Mode
(code: E5h or 98h)**

This command checks the power mode.

**Execute Drive Diagnostic
(code: 90h)**

This command performs the internal diagnostic tests implemented by the drive. See ERROR register for diagnostic codes.

**Erase Sector(s)
(code: C0h)**

This command is used to pre-erase and condition data sectors in advance.

**Format Track
(code: 50h)**

This command writes the desired head and cylinder of the selected drive with a vendor unique data pattern (typically 00h or FFh). This drive accepts a sector buffer of data from the host to follow the command with the same protocol as the Write Sector Command although the information in the buffer is not used.

**Identify Drive
(code: ECh)**

This command enables the host to receive parameter information from the drive. (See table below.)

Identify Drive Information (Typical)

Word Address	Data	Total Bytes	Description
0	044AH	2	General configuration bit-significant information—value fixed by CFA
1	XXXXH	2	Default number of cylinders
2	0000H	2	Reserved
3	00XXH	2	Default number of heads
4	XXXXH	2	Do not use this word. Before retirement, was number of unformatted bytes per track
5	XXXXH	2	Do not use this word. Before retirement, was number of unformatted bytes per sector
6	XXXXH	2	Default number of sectors per track
7-8	XXXXH	4	Number of sectors per card (word7=MSW, word 8 = LSW)
9	0000H	2	Reserved
10-19	XXXXH	20	Serial Number (see table next page for definition)
20	XXXXH	2	Do not use this word. Before retirement, was buffer type
21	XXXXH	2	Do not use this word. Before retirement, was buffer size in 512 byte increments
22	0004H	2	# of ECC bytes passed on Read/Write Long commands
23-46	XXXXH	48	Firmware revision and model number in ASCII (see table next page for definition)
47	0001H	2	Maximum of 1 sector on Read/Write Multiple command
48	0000H	2	Double Word not supported
49	0200H	2	DMA not supported, LBA supported
50	0000H	2	Reserved
51	0200H	2	PIO data transfer cycle timing mode
52	0000H	2	Single word DMA data transfer cycle timing mode (not supported)
53	0003h	2	Words 54 - 58 and 64 - 70 are valid
54	XXXXH	2	Number of Current Cylinders
55	XXXXH	2	Number of Current Heads
56	XXXXH	2	Number of Current Sectors Per Track
57	XXXXH	2	LSW of the Current Capacity in Sectors
58	XXXXH	2	MSW of the Current Capacity in Sectors
59	010XH	2	Current Setting for Block Count=1 for R/W Multiple commands
60-61	XXXXH	4	Total number of sectors addressable in LBA Mode
62	0000H	2	Single word DMA transfer not supported
63	0000H	2	Multiword DMA modes not supported
64	0003H	2	Advanced PIO modes supported (modes 3 and 4)
65	0000H	2	Minimum multiword DMA transfer cycle time per word (ns)
66	0000H	2	Recommended multiword DMA transfer cycle time per word (ns)
67	0078H	2	Minimum PIO transfer without flow control
68	0078H	2	Minimum PIO transfer with IORDY flow control
69-255	0000H	388	Reserved

XXXXH: These values are dependent upon the the specific card.

Identify Drive Information (continued) (Serial Number, Firmware Revision, and Model Number)

Serial Number Format (typical): Words 10-19					
SimpleTech Proprietary	Yr	Day	Hr	Min	Sec
<i>STI_J13C0</i>	<i>04</i>	<i>224</i>	<i>09</i>	<i>27</i>	<i>50</i>
Firmware Revision: Words 23-26					
<i>mm/dd/yy</i>					
Model Number: Words 27-46					
<i>STI Flash X.Y.Z</i>					

Idle

(code: E3h or 97h)

This command causes the drive to set BSY, enter the Idle mode, clear BSY, and generate an interrupt. If the sector count is non-zero, automatic power down mode is enabled. If the sector count is zero, the automatic power down mode is disabled.

Idle Immediate

(code: E1h or 95h)

This command causes the drive to set BSY, enter the Idle (Read) mode, clear BSY, and generate an interrupt.

Initialize Drive Parameters

(code: 91h)

This command enables the host to set the number of sectors per track and the number of heads per cylinder.

Read Buffer

(code: E4h)

This command enables the host to read the current contents of the drive's sector buffer.

Read Multiple

(code: C4h)

This command performs similarly to the Read Sectors command. Interrupts are not generated on each sector, but on the transfer of a block which contains the number of sectors defined by a Set Multiple command.

Read Long Sector

(code: 22h or 23h)

This command performs similarly to the Read Sector(s) command except that it returns 516 bytes of data instead of 512 bytes.

Read Sector(s)

(code: 20h or 21h)

This command reads from 1 to 256 sectors as specified in the Sector Count register. A sector count of 0 requests 256 sectors. The transfer begins at the sector specified in the Sector Number register.

Read Verify Sector(s)

(code: 40h or 41h)

This command verifies one or more sectors on the drive by transferring data from the flash media to the data buffer in the drive and verifying that the ECC is correct. This command is identical to the Read Sectors command, except that DRQ is never set and no data is transferred to the host. This

Recalibrate

(code: 1Xh)

The CompactFlash performs only the interface timing and register operations. When this command is issued, the CompactFlash sets BSY and waits for an appropriate length of time after which it clears BSY and issues an interrupt. When this command ends normally, the CompactFlash is initialized

Request Sense

(code: 03h)

This command requests an extended error code after a command ends with an error. Refer to table below.

Code	Description
00H	No error detected
01H	Self test OK (No error)
09H	Miscellaneous Error - N/A
20H	Invalid Command
21H	Invalid Address (requested Head or Sector invalid)
2FH	Address Overflow (address too large)
35H, 36H	Supply or generate Voltage Out of Tolerance
11H	Uncorrectable ECC Error
18H	Correctable ECC Error - N/A
05H, 30H-34H, 37H, 3EH	Self Test Diagnostic Failed
10H, 14H	ID Not Found - N/A
3AH	Spare Sectors Exhausted
1FH	Data Transfer Error / Aborted Command
0CH, 38H, 3BH, 3CH, 3FH	Corrupted Media Format - N/A
03H	Write / Erase Failed - N/A
22H	Power Level 1 Disabled

Seek (code: 7Xh)

This command is effectively a NOP command to the drive although it does perform a range check.

Set Features (code: EFh)

This command is used by the host to establish or select certain features.

Feature	Description
01H	Enable 8-bit data transfers
55H	Disable Read Look Ahead
66H	Disable Power on Reset (POR) establishment of defaults at Soft Reset
81H	Disable 8-bit data transfers
BBH	4bytes of data apply on Read/Write Long commands
CCH	Enable Power on Reset (POR) establishment of default at Soft Reset

Set Multiple Mode (code: C6h)

This command enables the drive to perform Read and Write Multiple operations and establishes the block count for these commands.

Set Sleep Mode (code: E6h or 99h)

This is the only command that allows the host to set the CompactFlash into Sleep mode. When the drive is set to sleep mode, the CompactFlash clears the BSY line and issues an interrupt. The drive enters sleep mode and the only method to make the drive active again (back to normal operation) is by performing a hardware reset or a software reset.

Stand By (code: E2h or 96h)

This command sets the drive in Standby mode. If the Sector Count Register is a value other than 0H, an Auto Power Down is enabled and when the drive returns to the idle mode, the timer starts a countdown. The time is set in the Sector Count Register.

Stand By Immediate (code: E0h or 94h)

This command causes the drive to set BSY, enter the Standby mode, clear BSY and return the interrupt immediately.

Translate Sector (code: 87h)

This command allows the host a method of determining the exact number of times a user sector has been erased and programmed. This command is not supported.

Wear Level (code: F5h)

This command is effectively a NOP command and only implemented for backward compatibility. The Sector Count Register will always be returned with an 00h indicating Wear Level is not needed.

Write Buffer (code: E8h)

This command enables the host to overwrite the contents of the drive's sector buffer with any data pattern desired.

Write Long Sector (code: 32h or 33h)

This command is provided for compatibility purposes and is similar to the Write Sector(s) command except that it writes 516 bytes instead of 512 bytes.

Write Multiple (code: C5h)

This command is similar to the Write Sectors command. Interrupts are not presented on each sector, but on the transfer of a block which contains the number of sectors defined by Set Multiple command.

Write Multiple without Erase (code: CDh)

This command is similar to the Write Multiple command with the exception that an implied erase before the write operation is not performed. Note that before using this command, it is required to erase the respective sectors using the Erase Sectors command.

**Write Sector(s)
(code: 30h or 31h)**

This command writes from 1 to 256 sectors as specified in the Sector Count register. A sector count of zero requests 256 sectors. The transfer begins at the sector specified in the Sector Number register.

**Write Sector(s) without Erase
(code: 38h)**

This command is similar to the Write Sector(s) command with the exception that an implied erase before the write operation is not performed. Note that before using this command, it is required to erase the respective sectors using the Erase Sectors command.

**Write Verify
(code: 3Ch)**

This command is similar to the Write Sector(s) command except each sector is verified immediately after being written.

REVISION HISTORY

Rev.	Change Description from Previous Revision	
-101	3/1/04. Initial Release.	
-102	5/26/04. General Description updated with new marketing copy. R/W speeds changed from 5.4/4.5MB/s to 5/5MB/s. 32MB, 64MB, 3GB, and 4GB versions removed. CHS Parameter table added. VCC 5V tolerance changed to 5% from 10%. Preliminary notice removed except for environmental specifications. WP jumper added to Dimensions. Disclaimer notice added.	-106 7/22/04. "up to" added to sustained read and write data rate performance.
-103	5/27/04. Missing dimension values added to Package Dimensions, 40-pin horizontal plug-in.	-107 7/27/04 SLFDM44LPH-xxxJ(I) dimensions corrected to released product. Ordering Information made easy to read.
-104	7/2/04. Pin Description changes: -IOIS16 not used in IDE mode; -IORDY description corrected to not used by card and pulled up by 4.7K ohm resistor. Performance rates for read and write described as sustained read and sustained write. Error register bit 0 Function "not supported" phrase removed. DMA commands removed (paper only error indicated that DMA was supported). Identify Drive Information table updated to reflect DMA not supported. DC Characterists Sleep Mode value changed from 120uA to 1200uA for 5V power supply.	-108 7/30/04. P/N SLFDM44LPH-xxxJ(I) corrected to SLFDM44H-xxxJ(I).
-105	7/9/04. Endurance increased from 300,000 cycles min to 2 million cycles min.	-109 8/23/04. WP Jumper labeled "Optional." Tolerance of connector protrusion in SLFLD40LPV-xxxJ(I) dimensions changed from 0.005 to 0.050. Environmental Characteristics updated to testing parameters. Definition for Serial #, Firmware Rev., and Model # in the Identify Drive Information table added in callout. Words 0, 4-5, 20-21, 49, and 63 in Drive ID table corrected. SLFLD44V-xxxJ(I) flash disk module added.
		-110 10/21/04. Master/Slave jumpers corrected on dimension illustrations.
		-111 10/29/04. Standard ECC, Endurance, and Warranty bullets added to Features on page 1.
		-112 2/16/05. Shock parameter of 11ms corrected to 0.330 to 0.750ms. WP jumpering removed.
		-113 3/3/05. Humidity parameter changed to 95% from 85%.

SimpleTech Inc. reserves the right to make changes to specifications and product descriptions such as but not limited to numbers, parameters and other technical information contained herein without notice. Contact SimpleTech Inc. sales office to obtain the latest specifications. SimpleTech Inc. grants no warranty with respect to this Data Sheet, neither explicit nor implied, and it is not liable for direct or indirect damages. Some States do not grant the exclusion of incidental damages and as such this statement may not be valid in such states. The provisions of this Data Sheet do not convey to the purchaser of the device any license under any patent rights or other intellectual property rights of SimpleTech Inc. or others.