



# Single/Dual LVDS Line Receivers with “In-Path” Fail-Safe

MAX9171/MAX9172

## General Description

The MAX9171/MAX9172 single/dual low-voltage differential signaling (LVDS) receivers are designed for high-speed applications requiring minimum power consumption, space, and noise. Both devices support switching rates exceeding 500Mbps while operating from a single 3.3V supply.

The MAX9171 is a single LVDS receiver and the MAX9172 is a dual LVDS receiver. Both devices conform to the ANSI TIA/EIA-644 LVDS standard and convert LVDS to LVTTTL/LVCMOS-compatible outputs. A fail-safe feature sets the outputs high when the inputs are undriven and open, terminated, or shorted. The MAX9171/MAX9172 are available in 8-pin SO packages and space-saving thin DFN and SOT23 packages.

For lower skew devices, refer to the MAX9111/ MAX9113 data sheet.

## Applications

- Multipoint Backplane Interconnect
- Laser Printers
- Digital Copiers
- Cellular Phone Base Stations
- LCD Displays
- Network Switches/Routers
- Clock Distribution

## Features

- ◆ Input Accepts LVDS and LVPECL
- ◆ In-Path Fail-Safe Circuit
- ◆ Space-Saving 8-Pin TDFN and SOT23 Packages
- ◆ Fail-Safe Circuitry Sets Output High for Open, Undriven Shorted, or Undriven Terminated Output
- ◆ Flow-Through Pinout Simplifies PCB Layout
- ◆ Guaranteed 500Mbps Data Rate
- ◆ Second Source to DS90LV018A and DS90LV028A (SO Packages Only)
- ◆ Conforms to ANSI TIA/EIA-644 Standard
- ◆ 3.3V Supply Voltage
- ◆ -40°C to +85°C Operating Temperature Range
- ◆ Low-Power Dissipation

## Ordering Information

PART	PIN-PACKAGE	TOP MARK	PKG CODE
MAX9171EKA-T	8 SOT23-8	AALX	K8-1
MAX9171ESA	8 SO	—	S8-2
MAX9171ETA*	8 Thin DFN-EP**	—	T833-2
MAX9172EKA-T	8 SOT23-8	AALY	K8-1
MAX9172ESA	8 SO	—	S8-2
MAX9172ETA*	8 Thin DFN-EP**	—	T833-2

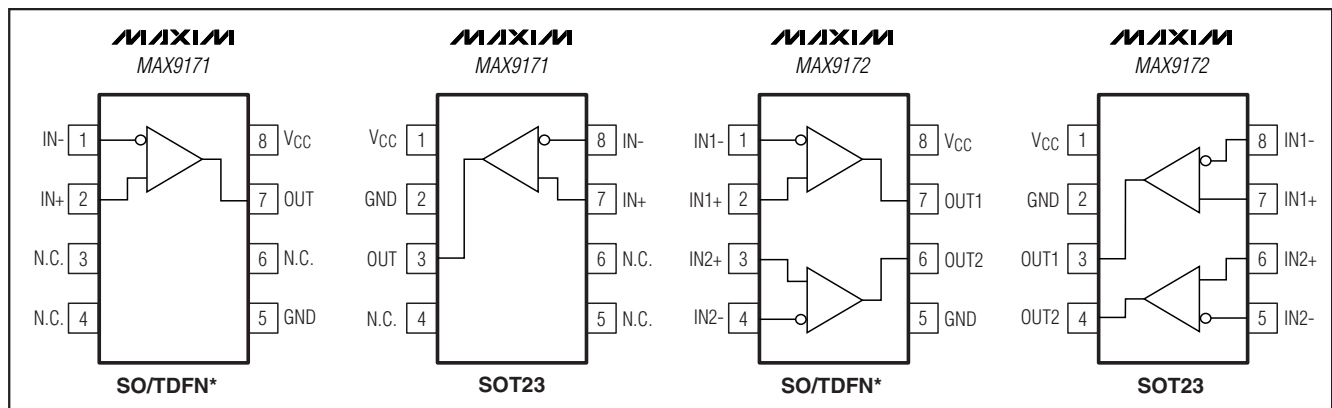
**Note:** All devices are specified over the -40°C to +85°C operating temperature range.

\*Future product—contact factory for availability.

\*\*EP = Exposed pad.

T = Tape-and-reel.

## Pin Configurations



**MAXIM**

Maxim Integrated Products 1

For pricing, delivery, and ordering information, please contact Maxim Direct at 1-888-629-4642, or visit Maxim's website at [www.maxim-ic.com](http://www.maxim-ic.com).

# Single/Dual LVDS Line Receivers with “In-Path” Fail-Safe

## ABSOLUTE MAXIMUM RATINGS

V <sub>CC</sub> to GND .....	-0.3V to +4.0V	Operating Temperature Range .....	-40°C to +85°C
IN <sub>+</sub> , IN <sub>-</sub> to GND .....	-0.3V to +4.0V	Junction Temperature .....	+150°C
OUT <sub>-</sub> to GND .....	-0.3V to (V <sub>CC</sub> + 0.3V)	Storage Temperature Range .....	-65°C to +150°C
Continuous Power Dissipation (T <sub>A</sub> = +70°C)		ESD Protection	
8-Pin SOT23 (derate 8.9mW/°C above +70°C) .....	714mW	Human Body Model (IN <sub>+</sub> , IN <sub>-</sub> ) .....	±13kV
8-Pin SO (derate 5.9mW/°C above +70°C) .....	471mW	Lead Temperature (soldering, 10s) .....	+300°C
8-Pin TDFN (derate 24.4mW/°C above +70°C) .....	1951mW		

Stresses beyond those listed under “Absolute Maximum Ratings” may cause permanent damage to the device. These are stress ratings only, and functional operation of the device at these or any other conditions beyond those indicated in the operational sections of the specifications is not implied. Exposure to absolute maximum rating conditions for extended periods may affect device reliability.

## ELECTRICAL CHARACTERISTICS

(V<sub>CC</sub> = 3.0V to 3.6V, differential input voltage |V<sub>ID</sub>| = 0.1V to 1.2V, receiver input voltage = 0 to V<sub>CC</sub>, common-mode voltage V<sub>CM</sub> = |V<sub>ID</sub>|/2 to (V<sub>CC</sub> - |V<sub>ID</sub>|/2), T<sub>A</sub> = -40°C to +85°C, unless otherwise noted. Typical values are at V<sub>CC</sub> = 3.3V, |V<sub>ID</sub>| = 0.2V, V<sub>CM</sub> = 1.2V, T<sub>A</sub> = +25°C.) (Notes 1, 2)

PARAMETER	SYMBOL	CONDITIONS		MIN	TYP	MAX	UNITS
<b>LVDS INPUTS (IN<sub>+</sub>, IN<sub>-</sub>)</b>							
Differential Input High Threshold	V <sub>TH</sub>	Figure 1			-40	0	mV
Differential Input Low Threshold	V <sub>TL</sub>	Figure 1		-100	-40		mV
Input Current (Noninverting Input)	I <sub>IN+</sub>	Figure 1		+0.5	-2.1	-5.0	μA
Power-Off Input Current (Noninverting Input)	I <sub>IN+OFF</sub>	V <sub>IN+</sub> = 0 to 3.6V, V <sub>IN-</sub> = 0 to 3.6V, V <sub>CC</sub> = 0 or open (Figure 1)		-0.5	0	+0.5	μA
Input Current (Inverting Input)	I <sub>IN-</sub>	Figure 1		-0.5	+4.4	+10.0	μA
Power-Off Input Current (Inverting Input)	I <sub>IN-OFF</sub>	V <sub>IN+</sub> = 0 to 3.6V, V <sub>IN-</sub> = 0 to 3.6V, V <sub>CC</sub> = 0 or open (Figure 1)		-0.5	0	+0.5	μA
<b>LVCMOS/LVTTL OUTPUTS (OUT<sub>-</sub>)</b>							
Output High Voltage	V <sub>OH</sub>	I <sub>OH</sub> = -4.0mA	Open, undriven short, or undriven parallel termination	2.7	3.2		V
			V <sub>ID</sub> = 0V	2.7	3.2		
Output Low Voltage	V <sub>OL</sub>	I <sub>OL</sub> = 4.0mA, V <sub>ID</sub> = -100mV			0.1	0.4	V
Output Short-Circuit Current	I <sub>OS</sub>	V <sub>OUT-</sub> = 0 (Note 3)		-45	-77	-120	mA
<b>POWER SUPPLY</b>							
Supply Current	I <sub>CC</sub>	Inputs open	MAX9171		3.6	6	mA
			MAX9172		7.0	9	

# Single/Dual LVDS Line Receivers with “In-Path” Fail-Safe

MAX9171/MAX9172

## SWITCHING CHARACTERISTICS

( $V_{CC} = 3.0V$  to  $3.6V$ ,  $C_L = 15pF$ ,  $|V_{ID}| = 0.2V$ ,  $V_{CM} = 1.2V$ ,  $T_A = -40^{\circ}C$  to  $+85^{\circ}C$ , unless otherwise noted. Typical values are at  $V_{CC} = 3.3V$ ,  $T_A = +25^{\circ}C$ .) (Notes 4, 5, 6)

PARAMETER	SYMBOL	CONDITIONS	MIN	TYP	MAX	UNITS
Differential Propagation Delay High to Low	$t_{PHLD}$	Figures 2, 3	1.0	1.65	2.5	ns
Differential Propagation Delay Low to High	$t_{PLHD}$	Figures 2, 3	1.0	1.62	2.5	ns
Differential Pulse Skew $ t_{PHLD} - t_{PLHD} $	$t_{SKD1}$	Figures 2, 3 (Note 7)		30	400	ps
Differential Channel-to-Channel Skew (MAX9172)	$t_{SKD2}$	Figures 2, 3 (Note 8)		40	500	ps
Differential Part-to-Part Skew	$t_{SKD3}$	Figures 2, 3 (Note 9)			1	ns
	$t_{SKD4}$	Figures 2, 3 (Note 10)			1.5	
Rise Time	$t_{TLH}$	Figures 2, 3		0.55	0.8	ns
Fall Time	$t_{THL}$	Figures 2, 3		0.51	0.8	ns
Maximum Operating Frequency	$f_{MAX}$	All channels switching, $V_{OL(MAX)} = 0.4V$ , $V_{OH(MIN)} = 2.7V$ , 40% < duty cycle < 60%	250	300		MHz

**Note 1:** Current into a pin is defined as positive. Current out of a pin is defined as negative. All voltages are referenced to GND except  $V_{TH}$ ,  $V_{TL}$ , and  $V_{ID}$ .

**Note 2:** All devices are 100% production tested at  $T_A = +25^{\circ}C$  and are guaranteed by design for  $T_A = -40^{\circ}C$  to  $+85^{\circ}C$ , as specified.

**Note 3:** Short only one output at a time. Do not exceed the absolute maximum junction temperature specification.

**Note 4:** AC parameters are guaranteed by design and not production tested.

**Note 5:**  $C_L$  includes scope probe and test jig capacitance.

**Note 6:** Pulse generator output conditions:  $t_R = t_F < 1ns$  (0% to 100%), frequency = 250MHz, 50% duty cycle,  $V_{OH} = 1.3V$ ,  $V_{OL} = 1.1V$ .

**Note 7:**  $t_{SKD1}$  is the magnitude of the difference of differential propagation delays in a channel.  $t_{SKD1} = |t_{PHLD} - t_{PLHD}|$ .

**Note 8:**  $t_{SKD2}$  is the magnitude of the difference of the  $t_{PLHD}$  or  $t_{PHLD}$  of one channel and the  $t_{PLHD}$  or  $t_{PHLD}$  of the other channel on the same part.

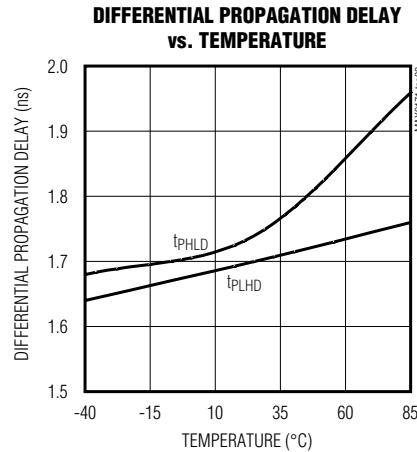
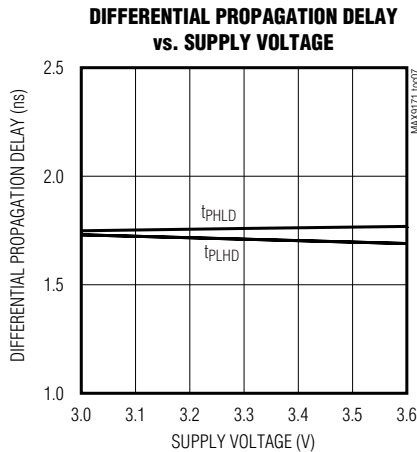
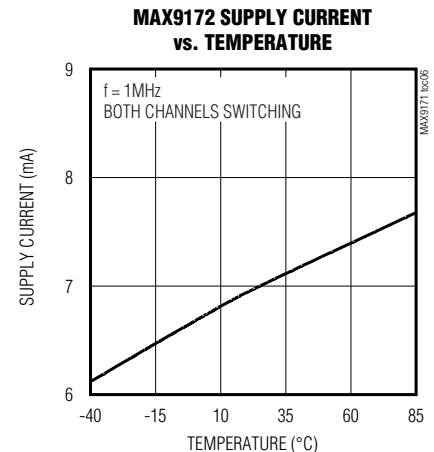
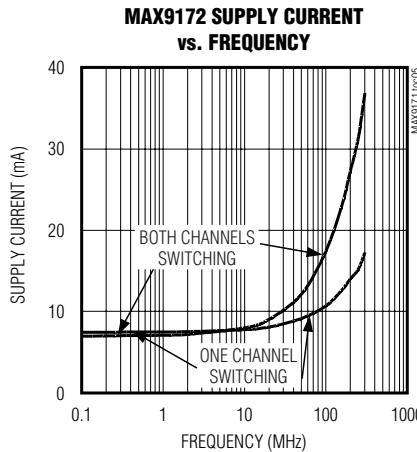
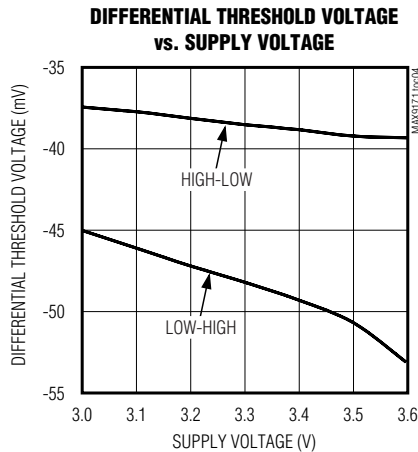
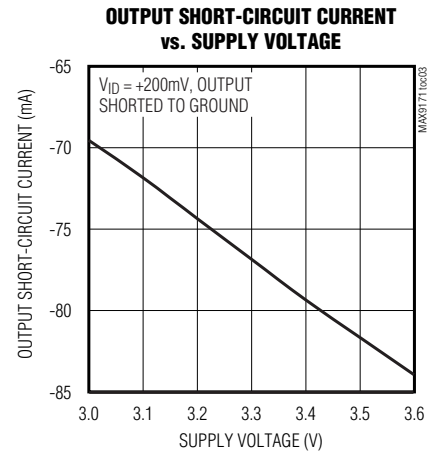
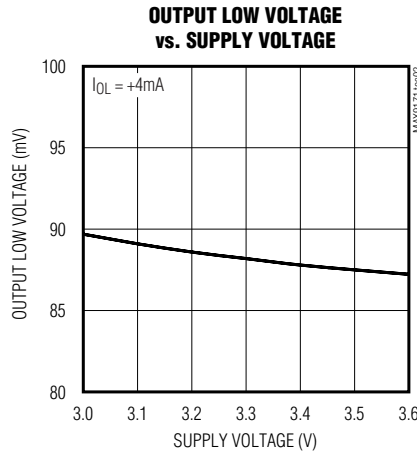
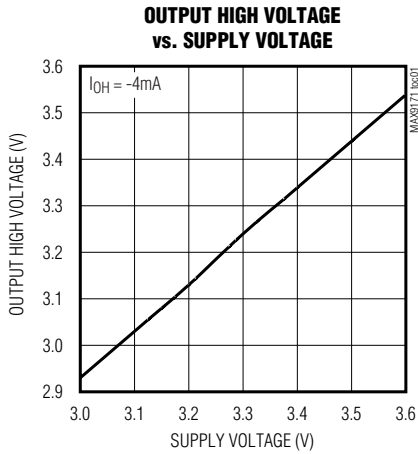
**Note 9:**  $t_{SKD3}$  is the magnitude of the difference of any differential propagation delays between parts at the same  $V_{CC}$  and within  $5^{\circ}C$  of each other.

**Note 10:**  $t_{SKD4}$  is the magnitude of the difference of any differential propagation delays between parts operating over the rated supply and temperature ranges.

# Single/Dual LVDS Line Receivers with "In-Path" Fail-Safe

## Typical Operating Characteristics

( $V_{CC} = 3.3V$ ,  $V_{CM} = 1.2V$ ,  $|V_{ID}| = 0.2V$ ,  $f_{IN} = 200MHz$ ,  $C_L = 15pF$ ,  $T_A = +25^\circ C$ , unless otherwise specified.)

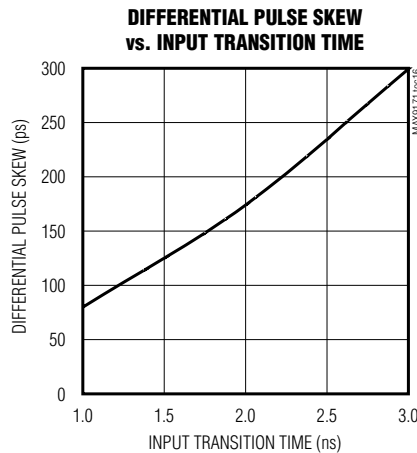
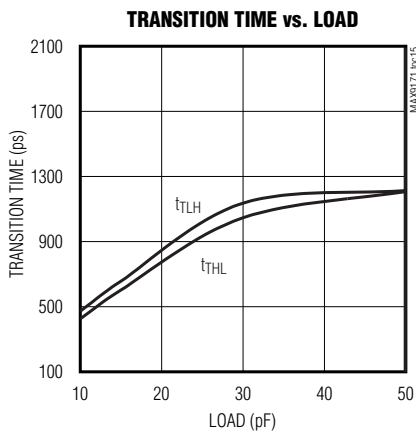
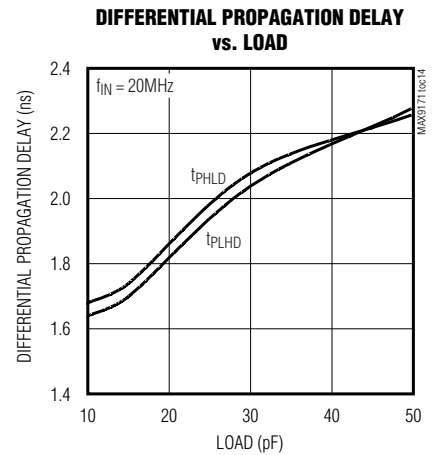
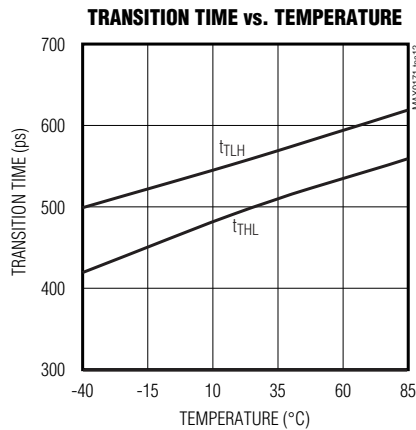
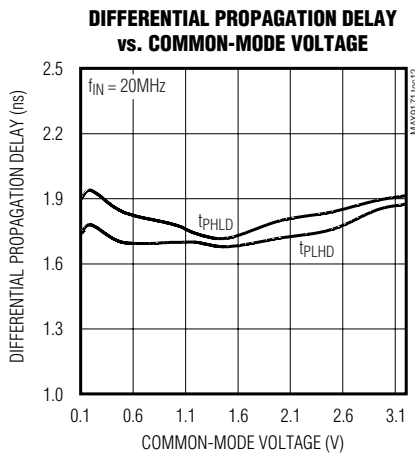
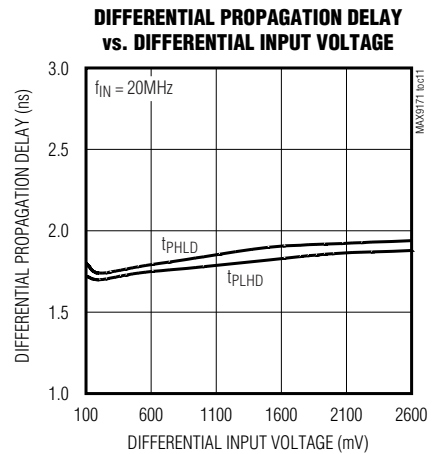
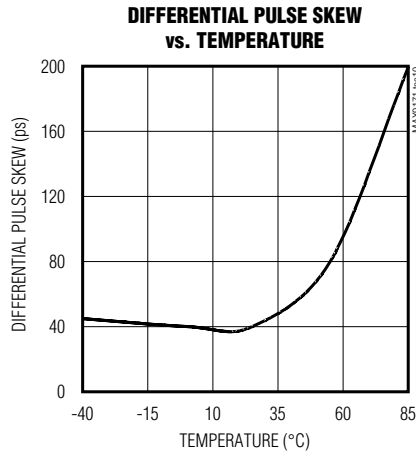
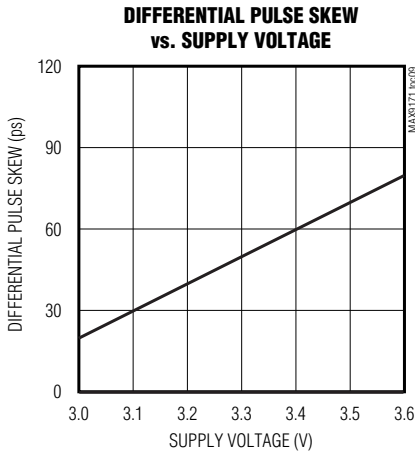


# Single/Dual LVDS Line Receivers with “In-Path” Fail-Safe

## Typical Operating Characteristics (continued)

( $V_{CC} = 3.3V$ ,  $V_{CM} = 1.2V$ ,  $|V_{ID}| = 0.2V$ ,  $f_{IN} = 200MHz$ ,  $C_L = 15pF$ ,  $T_A = +25^\circ C$ , unless otherwise specified.)

MAX9171/MAX9172



# Single/Dual LVDS Line Receivers with “In-Path” Fail-Safe

## MAX9171 Pin Description

PIN		NAME	FUNCTION
SOT23	SO/TDFN		
1	8	V <sub>CC</sub>	Positive Power-Supply Input. Bypass with a 0.1μF and a 0.001μF capacitor to GND with the smallest capacitor closest to the pin.
2	5	GND	Ground
3	7	OUT	Receiver Output
4, 5, 6	3, 4, 6	N.C.	No Connection. Not internally connected.
7	2	IN+	Noninverting Differential Receiver Input
8	1	IN-	Inverting Differential Receiver Input
—	(TDFN only)	EP	Exposed Paddle. Solder to PCB ground.

## MAX9172 Pin Description

PIN		NAME	FUNCTION
SOT23	SO/TDFN		
1	8	V <sub>CC</sub>	Positive Power-Supply Input. Bypass with a 0.1μF and a 0.001μF capacitor to GND with the smallest capacitor closest to the pin.
2	5	GND	Ground
3	7	OUT1	Receiver Output 1
4	6	OUT2	Receiver Output 2
5	4	IN2-	Inverting Differential Receiver Input 2
6	3	IN2+	Noninverting Differential Receiver Input 2
7	2	IN1+	Noninverting Differential Receiver Input 1
8	1	IN1-	Inverting Differential Receiver Input 1
—	(TDFN only)	EP	Exposed Paddle. Solder to PCB ground.

## Detailed Description

### LVDS Inputs

The MAX9171/MAX9172 feature LVDS inputs for interfacing high-speed digital circuitry. The LVDS interface standard is a signaling method intended for point-to-point communication over controlled-impedance media, as defined by the ANSI TIA/EIA-644 standards. The technology uses low-voltage signals to achieve fast transition times and minimize power dissipation and noise immunity. The MAX9171/MAX9172 convert LVDS

**Table 1. Input-Output Function Table**

INPUTS	OUTPUT
(IN <sub>+</sub> ) - (IN <sub>-</sub> )	OUT <sub>-</sub>
≥ 0mV	High
≤ -100mV	Low
Open	High
Undriven short	High
Undriven parallel termination	High

signals to LVCMOS/LVTTL signals at rates in excess of 500Mbps. These devices are capable of detecting differential signals as low as 100mV and as high as 1.2V within a 0 to V<sub>CC</sub> input voltage range. Table 1 is the input-output function table.

### Fail-Safe

The MAX9171/MAX9172 fail-safe drives the receiver output high when the differential input is:

- Open
- Undriven and shorted
- Undriven and terminated

Without fail-safe, differential noise at the input may switch the receiver and appear as data to the receiving system. An open input occurs when a cable and termination are disconnected. An undriven, terminated input occurs when a cable is disconnected with the termination still connected across the receiver inputs or when the driver of a receiver is in high impedance. An undriven, shorted input can occur due to a shorted cable.

# Single/Dual LVDS Line Receivers with “In-Path” Fail-Safe

MAX9171/MAX9172

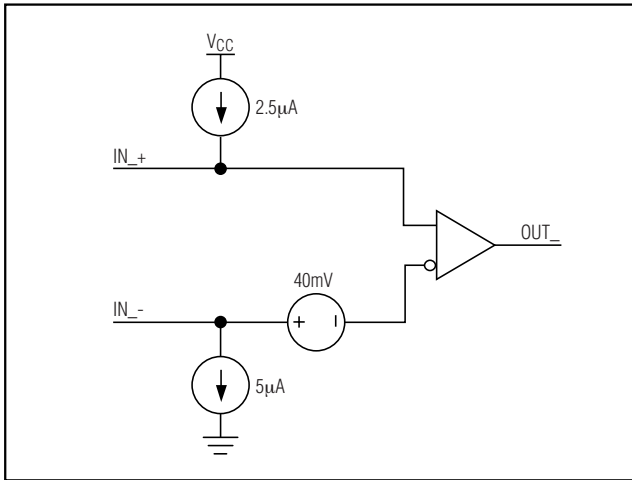


Figure 1. Input with In-Path Fail-Safe Network Equivalent Circuit

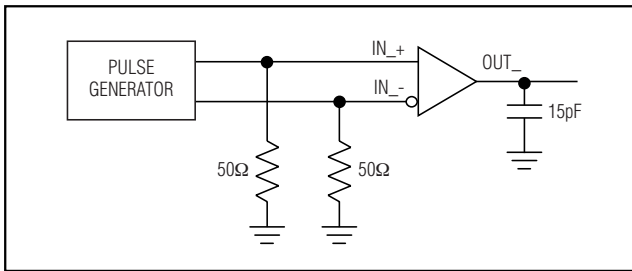


Figure 2. Propagation Delay and Transition Test Time Circuit

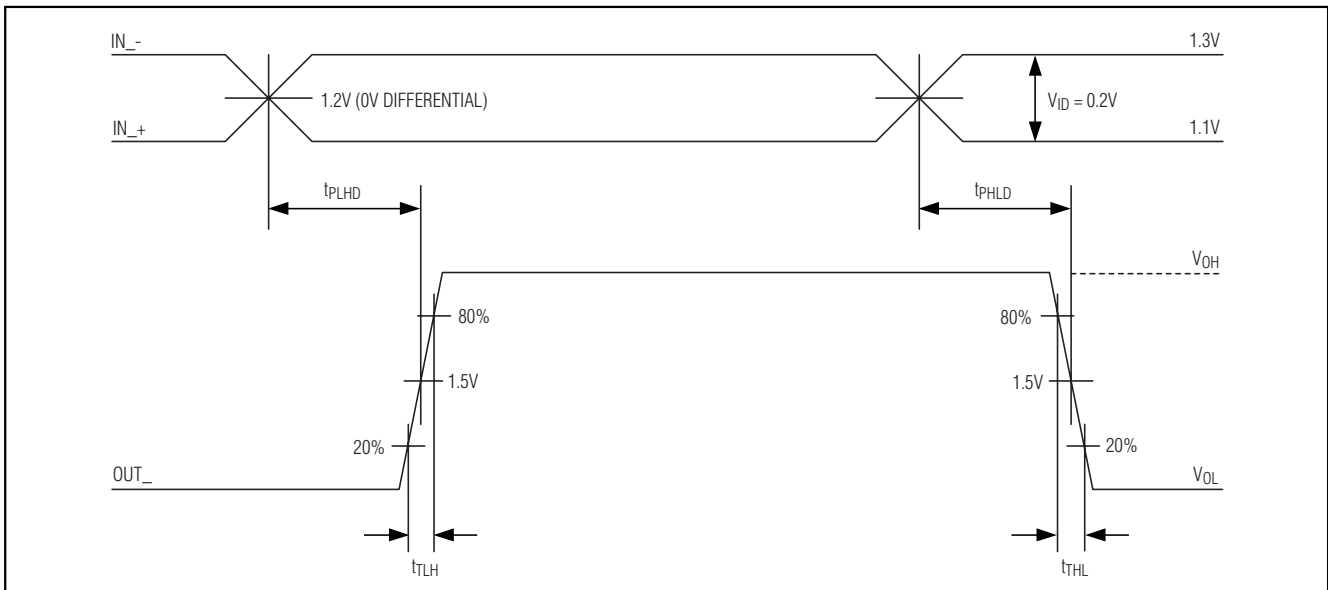


Figure 3. Propagation Delay and Transition Time Waveforms

## In-Path vs. Parallel Fail-Safe

The MAX9171/MAX9172 have in-path fail-safe that is compatible with in-path fail-safe receivers, such as the DS90LV018A and DS90LV028A. Refer to the MAX9111/MAX9113 data sheet for pin-compatible receivers with parallel fail-safe and lower jitter. Refer to the MAX9130 data sheet for a single LVDS receiver with parallel fail-safe in an SC70 package.

The MAX9171/MAX9172 with in-path fail-safe are designed with a +40mV input offset voltage, a 2.5µA current source between VCC and the noninverting input, and a 5µA current sink between the inverting input and ground (Figure 1). If the differential input is open, the 2.5µA current source pulls the input to VCC - 0.7V and the 5µA source sink pulls the inverting input to ground, which drives the receiver output high. If the differential input is shorted or terminated with a typical value termination resistor, the +40mV offset drives the receiver output high. If the input is terminated and floating, the receiver output is driven high by the +40mV offset, and the 2:1 current sink to current source ratio (5µA:2.5µA) pulls the inputs to ground. This can be an advantage when switching between drivers on a multi-point bus because the change in common-mode voltage from ground to the typical driver offset voltage of 1.2V is not as much as the change from VCC to 1.2V (parallel fail-safe pulls the bus to VCC). Figure 2 shows the propagation delay and transition test time circuit and Figure 3 shows the propagation delay and transition test time waveforms.

# Single/Dual LVDS Line Receivers with “In-Path” Fail-Safe

## ESD Protection

ESD protection structures are incorporated on all pins to protect against electrostatic discharges encountered during handling and assembly. The receiver inputs of the MAX9171/MAX9172 have extra protection against static electricity. These pins are protected to  $\pm 13\text{kV}$  without damage. The structures withstand ESD during normal operation and when powered down.

The receiver inputs of these devices are characterized for protection to the limit of  $\pm 13\text{kV}$  using the Human Body Model.

## Human Body Model

Figure 4a shows the Human Body Model, and Figure 4b shows the current waveform it generates when discharged into a low-impedance load. This model consists of a  $100\text{pF}$  capacitor charged to the ESD test voltage, which is then discharged into the test device through a  $1.5\text{k}\Omega$  resistor.

## Applications Information

### Supply Bypassing

Bypass  $V_{CC}$  with high-frequency surface-mount ceramic  $0.1\mu\text{F}$  and  $0.001\mu\text{F}$  capacitors in parallel, as close to the device as possible, with the  $0.001\mu\text{F}$  capacitor closest to the device. For additional supply bypassing, place a  $10\mu\text{F}$  tantalum or ceramic capacitor at the point where power enters the circuit board.

### Differential Traces

Input trace characteristics affect the performance of the MAX9171/MAX9172. Use controlled-impedance PCB traces to match the cable characteristic impedance.

Eliminate reflections and ensure that noise couples as common mode by running the differential traces close together. Reduce skew by matching the electrical length of traces.

Each channel's differential signals should be routed close to each other to cancel their external magnetic field. Maintain a constant distance between the differential traces to avoid discontinuities in differential impedance. Avoid  $90^\circ$  turns and minimize the number of vias to further prevent impedance discontinuities.

### Cables and Connectors

Transmission media typically have a controlled differential impedance of about  $100\Omega$ . Use cables and connectors that have matched differential impedance to minimize impedance discontinuities. Balanced cables tend to pick up noise as common mode, which is rejected by the LVDS receiver.

## Termination

The MAX9171/MAX9172 require an external termination resistor. The termination resistor should match the differential impedance of the transmission line. Termination resistance values may range between  $90\Omega$  to  $132\Omega$ , depending on the characteristic impedance of the transmission medium.

When using the MAX9171/MAX9172, minimize the distance between the input termination resistors and the MAX9171/MAX9172 receiver inputs. Use a single 1% surface-mount resistor.

## Board Layout

For LVDS applications, a four-layer PCB that provides separate power, ground, LVDS signals, and output signals is recommended. Separate the input LVDS signals from the output signals to prevent crosstalk. Solder the exposed pad on the TDFN package to a pad connected to the PCB ground plane by a matrix of vias. Connecting the exposed pad is not a substitute for connecting the ground pin. Always connect pin 5 on the TDFN package to ground.

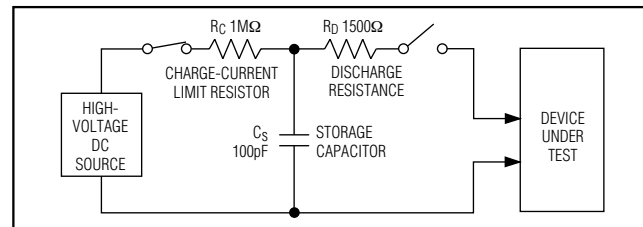


Figure 4a. Human Body ESD Test Modules

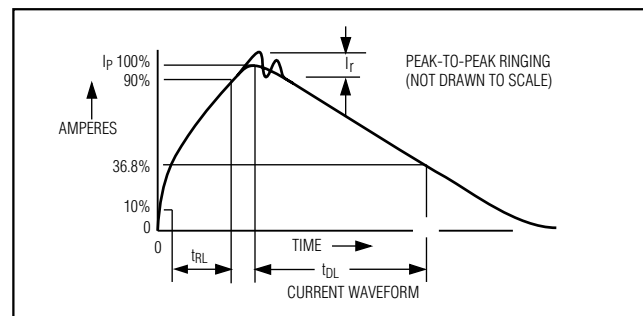


Figure 4b. Human Body Current Waveform

## Chip Information

TRANSISTOR COUNT: 624

PROCESS: CMOS

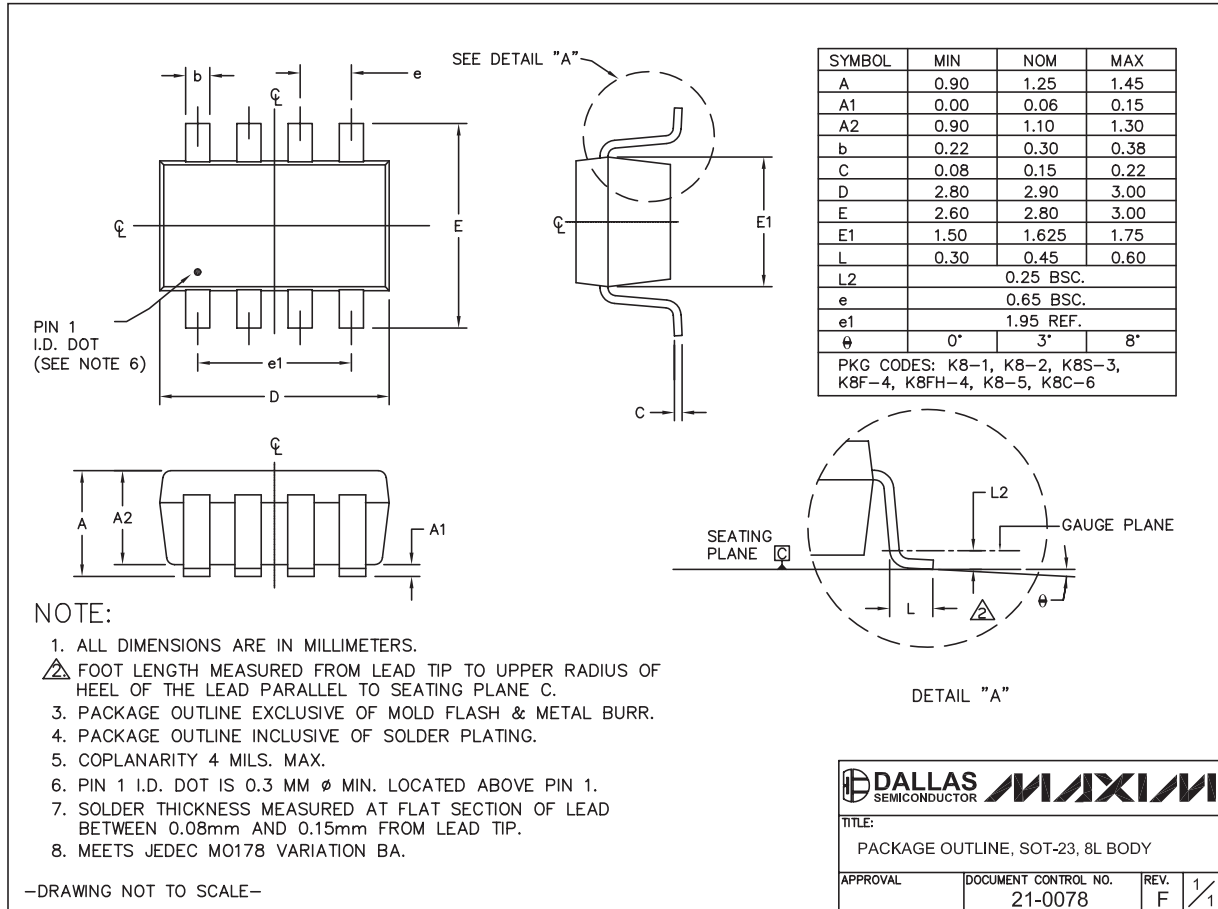


# Single/Dual LVDS Line Receivers with "In-Path" Fail-Safe

## Package Information

(The package drawing(s) in this data sheet may not reflect the most current specifications. For the latest package outline information, go to [www.maxim-ic.com/packages](http://www.maxim-ic.com/packages).)

MAX9171/MAX9172



SOT23, 8L-EP

**DALLAS** SEMICONDUCTOR **MAXIM**

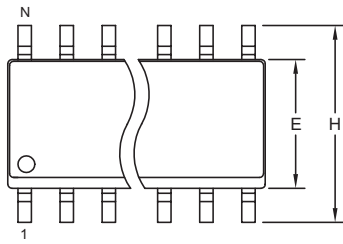
TITLE:  
PACKAGE OUTLINE, SOT-23, 8L BODY

APPROVAL	DOCUMENT CONTROL NO. 21-0078	REV. F	1/1
----------	---------------------------------	-----------	-----

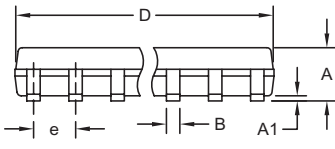
# Single/Dual LVDS Line Receivers with "In-Path" Fail-Safe

## Package Information (continued)

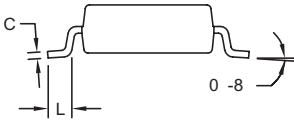
(The package drawing(s) in this data sheet may not reflect the most current specifications. For the latest package outline information, go to [www.maxim-ic.com/packages](http://www.maxim-ic.com/packages).)



TOP VIEW



FRONT VIEW



SIDE VIEW

DIM	INCHES		MILLIMETERS	
	MIN	MAX	MIN	MAX
A	0.053	0.069	1.35	1.75
A1	0.004	0.010	0.10	0.25
B	0.014	0.019	0.35	0.49
C	0.007	0.010	0.19	0.25
e	0.050 BSC		1.27 BSC	
E	0.150	0.157	3.80	4.00
H	0.228	0.244	5.80	6.20
L	0.016	0.050	0.40	1.27

VARIATIONS:

DIM	INCHES		MILLIMETERS		N	MS012
	MIN	MAX	MIN	MAX		
D	0.189	0.197	4.80	5.00	8	AA
D	0.337	0.344	8.55	8.75	14	AB
D	0.386	0.394	9.80	10.00	16	AC

NOTES:

1. D&E DO NOT INCLUDE MOLD FLASH.
2. MOLD FLASH OR PROTRUSIONS NOT TO EXCEED 0.15mm (.006").
3. LEADS TO BE COPLANAR WITHIN 0.10mm (.004").
4. CONTROLLING DIMENSION: MILLIMETERS.
5. MEETS JEDEC MS012.
6. N = NUMBER OF PINS.

**DALLAS SEMICONDUCTOR** **MAXIM**

PROPRIETARY INFORMATION

TITLE: PACKAGE OUTLINE, .150" SOIC

APPROVAL	DOCUMENT CONTROL NO. 21-0041	REV. B	1/1
----------	---------------------------------	-----------	-----

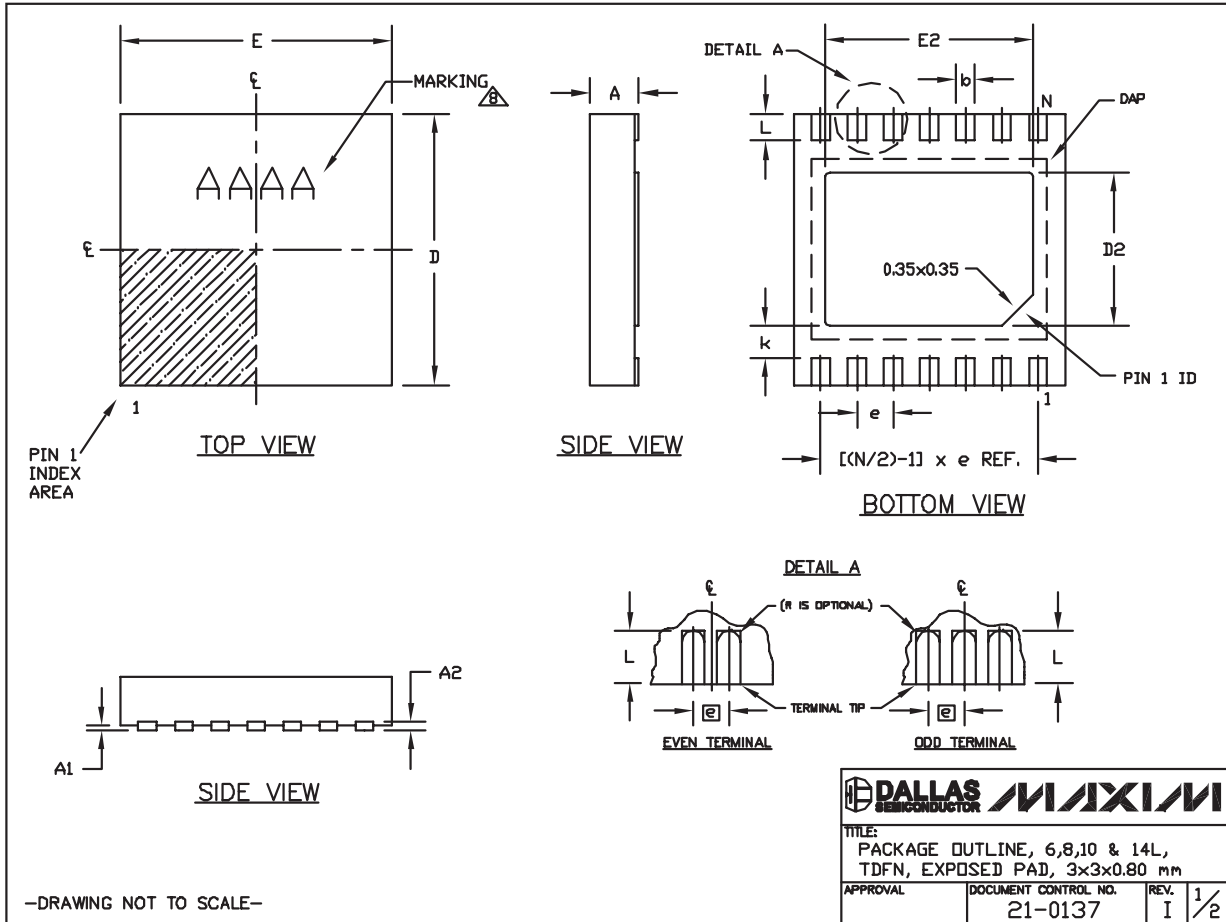
SOICN .EPS

# Single/Dual LVDS Line Receivers with "In-Path" Fail-Safe

## Package Information (continued)

(The package drawing(s) in this data sheet may not reflect the most current specifications. For the latest package outline information, go to [www.maxim-ic.com/packages](http://www.maxim-ic.com/packages).)

MAX9171/MAX9172



# Single/Dual LVDS Line Receivers with "In-Path" Fail-Safe


## Package Information (continued)

(The package drawing(s) in this data sheet may not reflect the most current specifications. For the latest package outline information, go to [www.maxim-ic.com/packages](http://www.maxim-ic.com/packages).)

COMMON DIMENSIONS			PACKAGE VARIATIONS							
SYMBOL	MIN.	MAX.	PKG. CODE	N	D2	E2	e	JEDEC SPEC	b	[(N/2)-1] x e
A	0.70	0.80	T633-2	6	1.50-0.10	2.30-0.10	0.95 BSC	MO229 / WEEA	0.40-0.05	1.90 REF
D	2.90	3.10	T833-2	8	1.50-0.10	2.30-0.10	0.65 BSC	MO229 / WEEC	0.30-0.05	1.95 REF
E	2.90	3.10	T833-3	8	1.50-0.10	2.30-0.10	0.65 BSC	MO229 / WEEC	0.30-0.05	1.95 REF
A1	0.00	0.05	T1033-1	10	1.50-0.10	2.30-0.10	0.50 BSC	MO229 / WEED-3	0.25-0.05	2.00 REF
L	0.20	0.40	T1033-2	10	1.50-0.10	2.30-0.10	0.50 BSC	MO229 / WEED-3	0.25-0.05	2.00 REF
k	0.25 MIN.		T1433-1	14	1.70-0.10	2.30-0.10	0.40 BSC	----	0.20-0.05	2.40 REF
A2	0.20 REF.		T1433-2	14	1.70-0.10	2.30-0.10	0.40 BSC	----	0.20-0.05	2.40 REF


  

NOTES:

- ALL DIMENSIONS ARE IN mm. ANGLES IN DEGREES.
- COPLANARITY SHALL NOT EXCEED 0.08 mm.
- WARPAGE SHALL NOT EXCEED 0.10 mm.
- PACKAGE LENGTH/PACKAGE WIDTH ARE CONSIDERED AS SPECIAL CHARACTERISTIC(S).
- DRAWING CONFORMS TO JEDEC MO229, EXCEPT DIMENSIONS "D2" AND "E2", AND T1433-1 & T1433-2.
- "N" IS THE TOTAL NUMBER OF LEADS.
- NUMBER OF LEADS SHOWN ARE FOR REFERENCE ONLY.
-  MARKING IS FOR PACKAGE ORIENTATION REFERENCE ONLY.

-DRAWING NOT TO SCALE-

		
TITLE: PACKAGE OUTLINE, 6,8,10 & 14L, TDFN, EXPOSED PAD, 3x3x0.80 mm		
APPROVAL	DOCUMENT CONTROL NO.	REV.
	21-0137	I 2/2

## Revision History

Pages changed at Rev 2: 1, 2, 3, 6, 8, 10, 11, 12

Maxim cannot assume responsibility for use of any circuitry other than circuitry entirely embodied in a Maxim product. No circuit patent licenses are implied. Maxim reserves the right to change the circuitry and specifications without notice at any time.

12 **Maxim Integrated Products, 120 San Gabriel Drive, Sunnyvale, CA 94086 408-737-7600**

© 2007 Maxim Integrated Products

**MAXIM** is a registered trademark of Maxim Integrated Products, Inc.