



FEATURES

- 4 channel CODEC with on-chip digital filters
- Selectable A-law or μ -law companding
- Master clock frequency selection: 2.048 MHz, 4.096 MHz or 8.192 MHz
 - Internal timing automatically adjusted based on MCLK and frame sync signal
- Separate PCM and master clocks
- Single PCM port with up to 8.192 MHz data rate (128 time slots)
- Transhybrid balance impedance hardware adjustable via external components
- Transmit gains hardware adjustable via external components
- Low power +5.0V CMOS technology
- +5.0V single power supply
- Package available: 32 pin PLCC, 44 pin TQFP

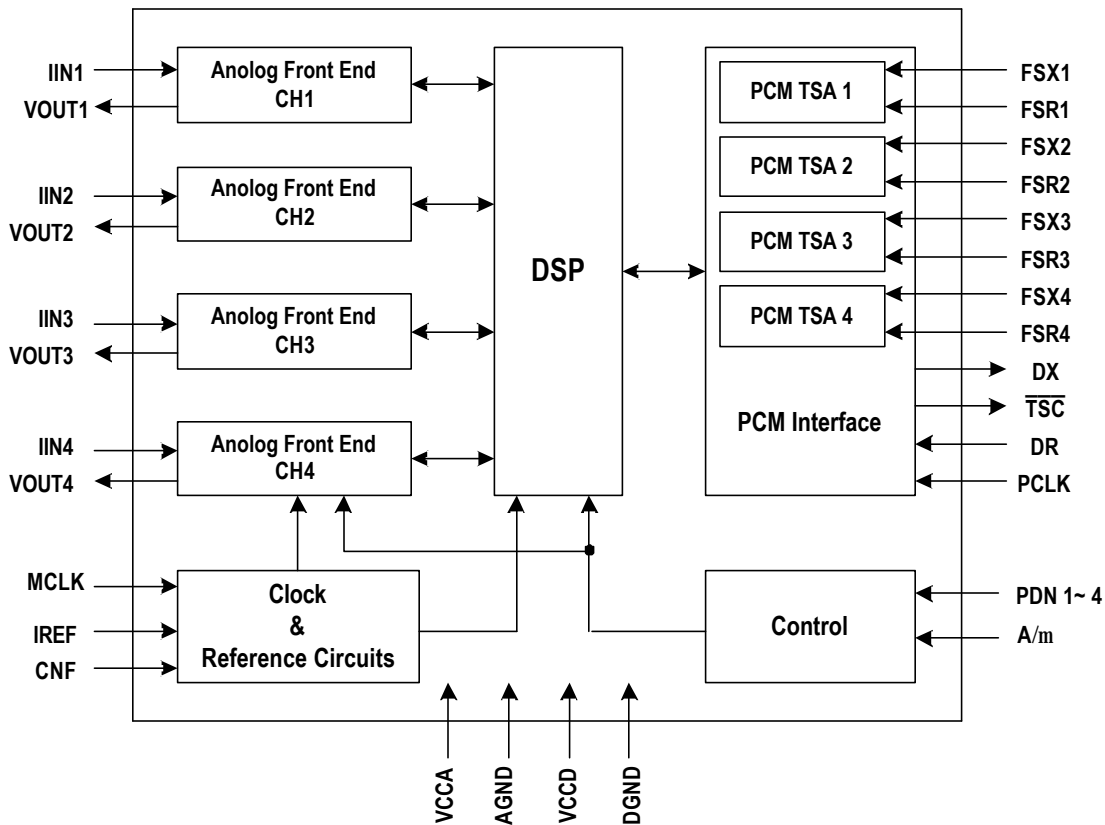
DESCRIPTION

The IDT821024 is a single-chip, four channel PCM CODEC with on-chip filters. The device provides analog-to-digital and digital-to-analog conversions and supports both a-law and μ -law companding. The digital filters in IDT821024 provides the necessary transmit and receive filtering for voice telephone circuit to interface with time-division multiplexed systems. All of the digital filters are performed in digital signal processors operating from an internal clock, which is derived from MCLK. The fixed filters set the transmit and receive gain and frequency response.

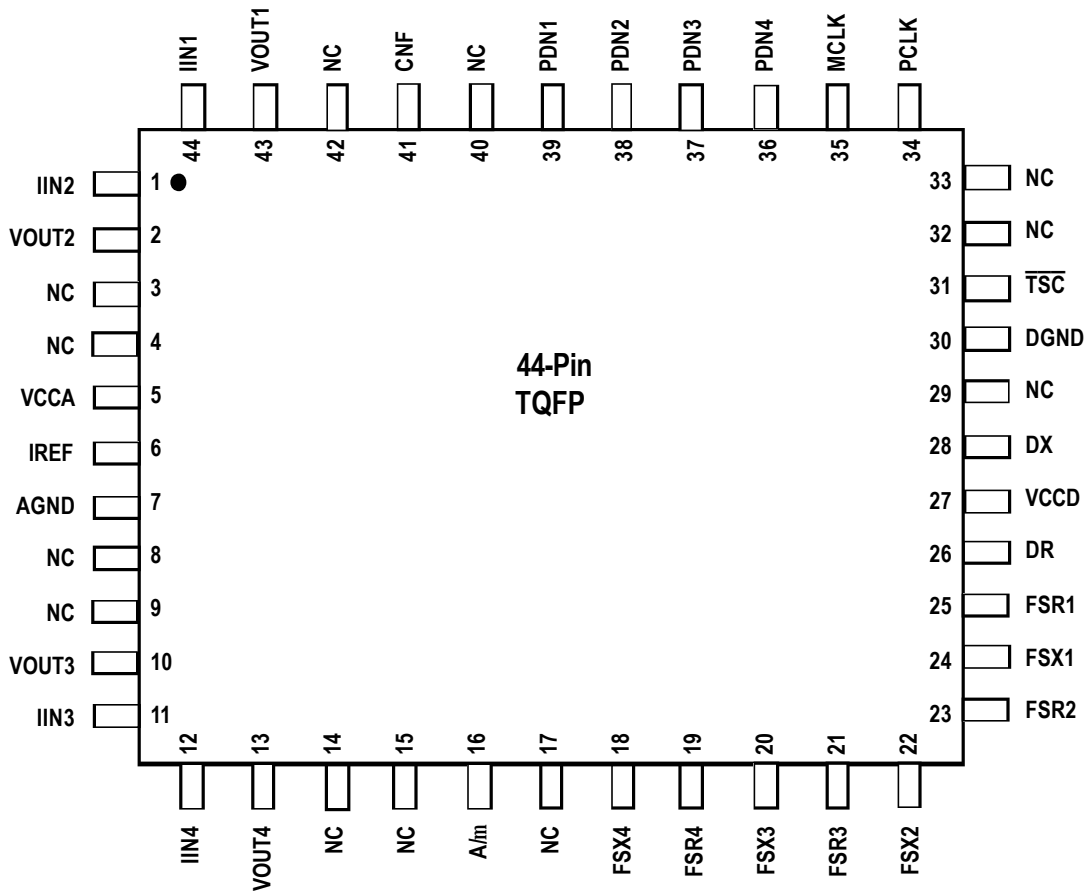
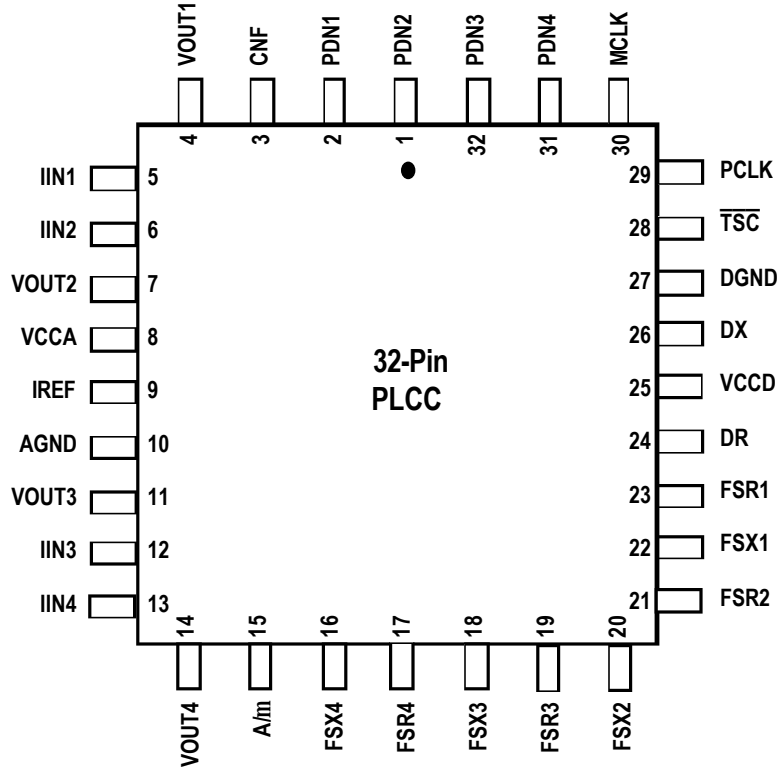
In the IDT821024 the PCM data is transmitted to and received from the PCM highway in time slots determined by the individual Frame Sync signals (FSR_n and FSX_n , where $n = 1-4$) at rates from 256 KHz to 8.192 MHz. Both Long and Short Frame Sync modes are available in the IDT821024.

The IDT821024 can be used in digital telecommunication applications such as PBX, Central Office Switch, Digital Telephone and Integrated Voice/Data Access Unit.

FUNCTIONAL BLOCK DIAGRAM



PIN CONFIGURATIONS



PIN DESCRIPTION

| Name | I/O | Pin Number | | Description |
|----------------------------------|-----|----------------------|----------------------|---|
| | | PLCC | TQFP | |
| AGND | -- | 10 | 7 | Analog Ground. All ground pins should be connected to the ground plane of the circuit board. |
| VCCA | -- | 8 | 5 | +5 V Analog Power Supply. All power supply pins should be connected to the power plane of the circuit board. |
| DGND | -- | 27 | 30 | Digital Ground. All ground pins should be connected to the ground plane of the circuit board. |
| VCCD | -- | 25 | 27 | +5 V Digital Power Supply. All power supply pins should be connected to the power plane of the circuit board. |
| DR | I | 24 | 26 | Receive PCM Data Input. The PCM data for Channel 1, 2, 3 and 4 is shifted serially into DR pin by the Receive Frame Sync Signal (FSR) with MSB first. A byte of data for each channel is received every 125 μ s at the PCLK rate. |
| DX | O | 26 | 28 | Transmit PCM Data Output. The PCM data for Channel 1, 2, 3 and 4 is shifted serially out to the DX pin by the Transmit Frame Sync Signal (FSX) with MSB first. A byte of data for each channel is transmitted every 125 μ s at the PCLK rate. DX is high impedance between time slots. |
| FSR1 FSR2 FSR3 FSR4 | I | 23 21 19 17 | 25 23 21 19 | Receive Frame Sync Input for Channel 1/2/3/4 This 8kHz signal pulse identifies the receive time slot for Channel N on a system's receive PCM frame. It must be synchronized to PCLK. |
| FSX1 FSX2 FSX3 FSX4 | I | 22 20 18 16 | 24 22 20 18 | Transmit Frame Sync Input for Channel 1/2/3/4 This 8 kHz signal pulse identifies the transmit time slot for Channel N on a system's transmit PCM frame. It must be synchronized to PCLK. |
| IREF | O | 9 | 6 | Reference Current. The IREF output is biased at the internal reference voltage. A resistor placed from IREF to ground sets the reference current used by the analog-to-digital converter to encode the signal current present on IINn pin (n is channel number, n = 1 to 4) into digital form. |
| VOUT1 VOUT2 VOUT3 VOUT4 | O | 4 7 11 14 | 43 2 10 13 | Voice Frequency Receiver Output for Channel 1/2/3/4 This is the output of receiver amplifier for Channel N. The received digital data from DR is processed and converted to an analog signal at this pin. |
| IIN1 IIN2 IIN3 IIN4 | I | 5 6 12 13 | 44 1 11 12 | Voice Frequency Transmitter Input for Channel 1/2/3/4 This is the input to the gain setting amplifier in the transmit path for Channel N. The analog voice band voltage signal is applied to this pin through a resistor. This input is a virtual AC ground input, which is biased at the IREF pin. |
| MCLK | I | 30 | 35 | Master Clock. The Master Clock provides the clock for the DSP. It can be either 2.048 MHz or 4.096 MHz. The IDT821024 determines the MCLK frequency via the FSX inputs and makes the necessary internal adjustments automatically. The MCLK frequency must be an integer multiple of the FSX frequency. |
| PCLK | I | 29 | 34 | PCM Clock. The PCM Clock shifts out the PCM data to the DX pin and shifts in PCM data from the DR pin. The PCM clock frequency is an integer multiple of the frame sync frequency. When PCLK is connected to MCLK, the PCM clock can generate the DSP clock as well. |
| \overline{TSC} | O | 28 | 31 | Time Slot Control. This open drain output is low active. When the PCM data is transmitted to the DX pin for any of the four channels, this pin will be pulled low. |
| A/m | I | 15 | 16 | A/μ-Law Selection. When this pin is low, μ -Law is selected; when this pin is high, A-Law is selected. This pin can be connected to VCCD or DGND pin directly. |

PIN DESCRIPTION (cont'd)

| Name | I/O | Pin Number | | Description |
|------------------------------|-----|--------------------|---|---|
| | | PLCC | TQFP | |
| PDN1 PDN2 PDN3 PDN4 | I | 2 1 32 31 | 39 38 37 36 | Channel 1/2/3/4 Power Down. When this pin is high, Channel N is powered down. |
| CNF | O | 3 | 41 | Capacitor For Noise Filter. This pin should be connected to AGND through a 0.1 μ F capacitor. |
| NC | -- | | 3, 4, 8, 9, 14, 15, 17, 29, 32, 33, 40, 42 | No connection |

FUNCTIONAL DESCRIPTION

The IDT821024 contains four channel PCM CODEC with on chip digital filters. It provides the four-wire solution for the subscriber line circuitry in digital switches. The device converts analog voice signal to digital PCM data, and converts digital PCM data back to analog signal. Digital filters are used to bandlimit the voice signals during the conversion. Either A-law or μ -law is supported by the IDT821024. The law selection is performed by A/ μ pin.

The frequency of the master clock (MCLK) can be 2.048 MHz, 4.096 MHz, or 8.192 MHz. Internal circuitry determines the master clock frequency automatically.

The serial PCM data for four channels are time multiplexed via two pins, DX and DR. The time slots of the four channels are determined by the individual Frame Sync signals at rates from 256 kHz to 8.192 MHz. For each channel, the IDT821024 provides a transmit Frame Sync signal and a receive Frame Sync signal.

Each channel of the IDT821024 can be powered down independently to save power consumption. The Channel Power Down Pins PDN1-4 configure channels to be active (power-on) or standby (power-down) separately.

Signal Processing

High performance oversampling Analog-to-Digital Converters (ADC) and Digital-to-Analog Converters (DAC) are used in the IDT821024 to provide the required conversion accuracy. The associated decimation and interpolation filtering are realized with both dedicated hardware and Digital Signal Processor (DSP). The DSP also handles all other necessary functions such as PCM bandpass filtering and sample rate conversion.

Transmit Signal Processing

In the transmit path, the analog input signal is received by the ADC and converted into digital data. The digital output of the oversampling ADC is decimated and sent to the DSP. The transmit filter is implemented in the DSP as a digital bandpass filter. The filtered signal is further decimated

and compressed to PCM format.

Transmit PCM Interface

The transmit PCM interface clocks out 1 byte (8 bits) PCM data out of DX pin every 125 μ s. The transmit logic, synchronized by the Transmit Frame Sync signal (FSXn), controls the data transmission. The FSXn pulse identifies the transmit time slot of the PCM frame for Channel N. The PCM Data is transmitted serially on DX pin with the Most Significant Bit (MSB) first. When the PCM data is being output on DX pin, the TSC signal will be pulled low.

Receive Signal Processing

In the receive path, the PCM code is received at the rate of 8,000 samples per second. The PCM code is expanded and sent to the DSP for interpolation. A receive filter is implemented in the DSP as a digital lowpass filter. The filtered signal is then sent to an oversampling DAC. The DAC output is post-filtered and delivered at VOUT pin by an amplifier. The amplifier can drive resistive load higher than 2 K Ω .

Receive PCM Interface

The receive PCM interface clocks 1 byte (8 bits) PCM data into DR pin every 125 μ s. The receive logic, synchronized by the Receive Frame Sync signal (FSRn), controls the data receiving process. The FSRn pulse identifies the receive time slot of the PCM frame for Channel N. The PCM Data is received serially on DR pin with the Most Significant Bit (MSB) first.

Hardware Gain Setting In Transmit Path

The transmit gain of the IDT821024 for each channel can be set by 2 resistors, R_{REF} and R_{TXn} (as shown in Figure 1), according to the following equation:

$$G_t = \frac{3 \cdot R_{REF}}{R_{TXn}}$$

The receive gain of IDT821024 is fixed and equal to 1.

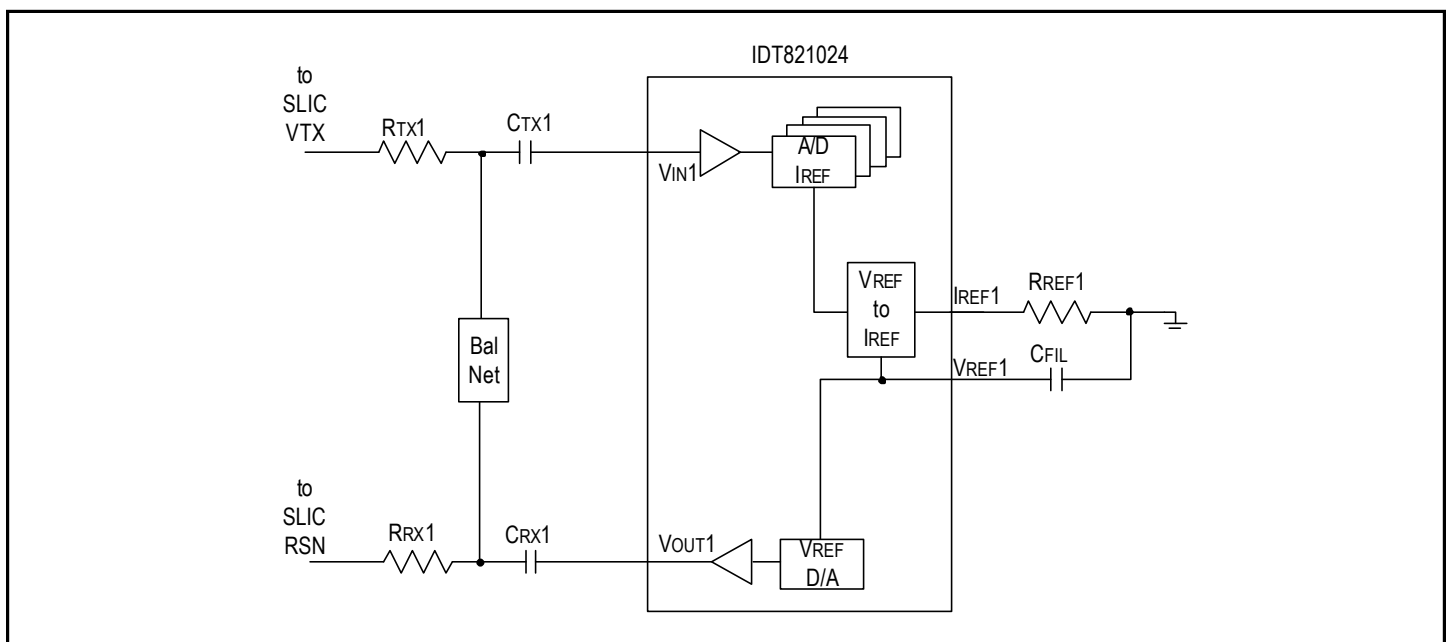


Figure 1. IDT821024 Transmit Gain Setting for Channel 1

OPERATING THE IDT821024

The following descriptions about operation applies to all four channels of the IDT821024.

Power-on Sequence and Master Clock Configuration

To power on the IDT821024 users should follow this sequence:

1. Apply ground;
2. Apply VCC, finish signal connections;
3. Set PDN1-4 pins high, thus all of the 4 channels are powered down;

The master clock (MCLK) frequency of IDT821024 can be configured as 2.048 MHz, 4.096 MHz or 8.192 MHz. Using the Transmit Frame Sync (FSX) inputs, the device determines the MCLK frequency and makes the necessary internal adjustments automatically. The MCLK frequency must be an integer multiple of the Frame Sync frequency.

Operating Modes

There are two operating modes for each transmit or receive channel: standby mode (when the channel is powered down) and normal mode (when the channel is powered on). The mode selection of each channel is done by its corresponding PDN pin. When PDN_N is 1, Channel N is in standby mode; when PDN_N is 0, Channel N is in normal mode.

In standby mode, all circuits are powered down with the analog outputs placed in high impedance state.

In normal mode, each channel of the IDT821024 is able to transmit and receive both PCM and analog information. The normal mode is used when a telephone call is in progress.

Companding Law Selection

An A/ μ pin is provided by IDT821024 for the companding law selection. When this pin is low, μ -law is selected; when the pin is high, A-law is selected.

ABSOLUTE MAXIMUM RATINGS

| Rating | Com'l & Ind'l | Unit |
|---|---------------|------|
| Power Supply Voltage | ≤ 6.5 | V |
| Voltage on Any Pin with Respect to Ground | -0.5 to 5.5 | V |
| Package Power Dissipation | ≤ 600 | mW |
| Storage Temperature | -65 to +150 | °C |

NOTE: Stresses greater than those listed under ABSOLUTE MAXIMUM RATINGS may cause permanent damage to the device. This is a stress rating only and functional operation of the device at these or any other conditions above those indicated in the operational sections of this specification is not implied. Exposure to absolute maximum rating conditions for extended periods may affect reliability.

RECOMMENDED DC OPERATING CONDITIONS

| Parameter | Min. | Typ. | Max. | Unit |
|-----------------------|------|------|------|------|
| Operating Temperature | -40 | | +85 | °C |
| Power Supply Voltage | 4.75 | | 5.25 | V |

NOTE: MCLK: 2.048 MHz, 4.096 MHz or 8.192 MHz with tolerance of ± 50 ppm

ELECTRICAL CHARACTERISTICS**Digital Interface**

| Parameter | Description | Min | Typ | Max | Units | Test Conditions |
|-----------------|--|---------|-----|-----|-------|---|
| V _{IL} | Input Low Voltage | | | 0.8 | V | All digital inputs |
| V _{IH} | Input High Voltage | 2.0 | | | V | All digital inputs |
| V _{OL} | Output Low Voltage | | | 0.4 | V | DX, TSC, I _L = 14mA |
| | | | | 0.8 | V | All other digital outputs, I _L = 4mA |
| | | | | 0.2 | V | All digital pins, I _L = 14mA |
| V _{OH} | Output High Voltage | VDD-0.6 | | | V | DX, I _H = -7 mA, all other outputs, I _H = -4 mA |
| | | VDD-0.2 | | | V | All digital pins, I _H = -1mA |
| I _I | Input Current | -10 | | 10 | μA | Any digital inputs GND < V _{IN} < VDD |
| I _{oz} | Output Current in High-impedance State | -10 | | 10 | μA | DX |
| C _I | Input Capacitance | | | 5 | pF | |

Note: Total current must not exceed absolute maximum ratings.

Power Dissipation

| Parameter | Description | Min | Typ | Max | Units | Test Conditions |
|-----------------|-------------------------------|-----|-----|-----|-------|--|
| PD ₂ | Operating Power Dissipation 1 | | 180 | 240 | mW | All channels are active |
| PD ₁ | Operating Power Dissipation 1 | | 60 | 90 | mW | Only one channel is active |
| PD ₀ | Standby Power Dissipation | | 4 | 10 | mW | All channels are powered down with only MCLK present |

Note: Power measurements are made at MCLK = 4.096 MHz, outputs unloaded

Analog Interface

| Parameter | Description | Min | Typ | Max | Units | Test Conditions |
|-------------------|--|------|-----|------|-------|--|
| V _{OUT1} | Output Voltage | 2.25 | 2.4 | 2.6 | V | Alternating ± zero μ-law PCM code applied to DR. |
| V _{OUT2} | Output Voltage Swing | 3.25 | | | V P-P | R _L = 2000Ω |
| R _o | Output Resistance | | 1 | 4 | Ω | 0dBm0, 1020Hz PCM code applied to DR |
| R _L | Load Resistance | 2000 | | | Ω | External loading |
| I _{IR} | Analog Input Current Range | | ±40 | | μA | R _{REF} = 13kΩ |
| I _{IOS} | Offset Current Allowed on IIN | -1.6 | | +1.6 | μA | |
| I _{OUT} | VO _{UT} Output Current (F < 3400Hz) | -5 | | 5 | mA | |
| I _Z | Output Leakage Current | -10 | | 10 | μA | Power down |
| C _L | Load Capacitance | | | 100 | pF | External loading |

TRANSMISSION CHARACTERISTICS

0dBm0 is defined as 0.6832Vrms for A-law and 0.6778 Vrms for μ -law, both for 600 Ω load. Unless otherwise noted, the analog input is a 0 dBm0, 1020 Hz sine wave; the input amplifier is set for unity gain. The digital input is a PCM bit stream equivalent to that obtained by passing a 0 dBm0, 1020 Hz sine wave through an ideal encoder. The output level is $\sin(x)/x$ -corrected. Typical value are tested at $V_{DD} = 5V$ and $T_A = 25^\circ C$.

Absolute Gain

| Parameter | Description | Min | Typ | Max | Units | Test Conditions |
|-----------|---|----------------|-----|--------------|----------|---|
| G_{XA} | Transmit Gain, Absolute 0°C to 85°C -40°C | -0.25 -0.35 | | 0.25 0.35 | dB dB | Signal input of 0 dBm0, μ -law or A-law |
| G_{RA} | Receive Gain, Absolute 0°C to 85°C -40°C | -0.25 -0.35 | | 0.25 0.35 | dB dB | Measured relative to 0 dBm0, μ -law or A-law, PCM input of 0 dBm0 1020 Hz, $R_L = 10 k\Omega$ |

Gain Tracking

| Parameter | Description | Min | Typ | Max | Units | Test Conditions |
|-----------|---|-------------------------|-----|----------------------|----------------|---|
| GT_X | Transmit Gain Tracking +3 dBm0 to -40 dBm0 -40 dBm0 to -50 dBm0 -50 dBm0 to -55 dBm0 | -0.10 -0.25 -0.50 | | 0.10 0.50 0.50 | dB dB dB | Tested by Sinusoidal Method, μ -law/A-law |
| GT_R | Receive Gain Tracking +3 dBm0 to -40 dBm0 -40 dBm0 to -50 dBm0 -50 dBm0 to -55 dBm0 | -0.10 -0.25 -0.50 | | 0.10 0.50 0.50 | dB dB dB | Tested by Sinusoidal Method, μ -law/A-law |

Frequency Response

| Parameter | Description | Min | Typ | Max | Units | Test Conditions |
|-----------|--|-------|-----|-----------------------------------|----------------------------|-----------------|
| G_{XR} | Transmit Gain, Relative to G_{XA} f = 50 Hz f = 60 Hz f = 300 Hz to 3400 Hz f = 3600 Hz f = 4600 Hz and above | -0.15 | | -40 -40 0.15 -0.1 -35 | dB dB dB dB dB | |
| G_{RR} | Receive Gain, Relative to G_{RA} f below 300 Hz f = 300 Hz to 3400 Hz f = 3600 Hz f = 4600 Hz and above | -0.15 | | 0 0.15 -0.2 -35 | dB dB dB dB | |

Group Delay

| Parameter | Description | Min | Typ | Max | Units | Test Conditions |
|-----------|--|-----|-----|-------------------------|--|-----------------|
| D_{XA} | Transmit Delay, Absolute * | | | 340 | μs | |
| D_{XR} | Transmit Delay, Relative to 1800 Hz f = 500 Hz - 600 Hz f = 600 Hz - 1000 Hz f = 1000 Hz - 2600 Hz f = 2600 Hz - 2800 Hz | | | 280 150 80 280 | μs μs μs μs | |
| D_{RA} | Receive Delay, Absolute * | | | 260 | μs | |
| D_{RR} | Receive Delay, Relative to 1800 Hz f = 500 Hz - 600 Hz f = 600 Hz - 1000 Hz f = 1000 Hz - 2600 Hz f = 2600 Hz - 2800 Hz | | | 50 80 120 150 | μs μs μs μs | |

Note*: Minimum value in transmit and receive path.

Distortion

| Parameter | Description | Min | Typ | Max | Units | Test Conditions |
|------------------------|---|-----|-----|-----|-------|--|
| STD _x | Transmit Signal to Total Distortion Ratio | | | | | ITU-T O.132 Sine Wave Method, Psophometric Weighted for A-law, C Message Weighted for μ -law. |
| | A-law : | | | | | |
| | Input level = 0 dBm0 | 36 | | | dB | |
| | Input level = -30 dBm0 | 36 | | | dB | |
| | Input level = -40 dBm0 | 30 | | | dB | |
| | Input level = -45 dBm0 | 24 | | | dB | |
| | μ -law : | | | | | |
| | Input level = 0 dBm0 | 36 | | | dB | |
| Input level = -30 dBm0 | 36 | | | dB | | |
| Input level = -40 dBm0 | 31 | | | dB | | |
| Input level = -45 dBm0 | 27 | | | dB | | |
| STD _R | Receive Signal to Total Distortion Ratio | | | | | ITU-T O.132 Sine Wave Method, Psophometric Weighted for A-law; Sine Wave Method, C Message Weighted for μ -law; |
| | A-law : | | | | | |
| | Input level = 0 dBm0 | 36 | | | dB | |
| | Input level = -30 dBm0 | 36 | | | dB | |
| | Input level = -40 dBm0 | 30 | | | dB | |
| | Input level = -45 dBm0 | 24 | | | dB | |
| | μ -law : | | | | | |
| | Input level = 0 dBm0 | 36 | | | dB | |
| Input level = -30 dBm0 | 36 | | | dB | | |
| Input level = -40 dBm0 | 31 | | | dB | | |
| Input level = -45 dBm0 | 27 | | | dB | | |
| SFD _x | Single Frequency Distortion, Transmit | | | -42 | dBm0 | 200 Hz - 3400 Hz, 0 dBm0 input, output any other single frequency \leq 3400 Hz |
| SFD _R | Single Frequency Distortion, Receive | | | -42 | dBm0 | 200 Hz - 3400 Hz, 0 dBm0 input, output any other single frequency \leq 3400 Hz |
| IMD | Intermodulation Distortion | | | -42 | dBm0 | Transmit or receive, two frequencies in the range (300 Hz - 3400 Hz) at -6 dBm0 |

Noise

| Parameter | Description | Min | Typ | Max | Units | Test Conditions |
|------------------|---|-----|-----|-----|-------|---|
| N _{xc} | Transmit Noise, C Message Weighted for μ -law | | | 16 | dBmC0 | |
| N _{xp} | Transmit Noise, Psophometric Weighted for A-law | | | -68 | dBm0p | |
| N _{rc} | Receive Noise, C Message Weighted for μ -law | | | 12 | dBmC0 | |
| N _{rp} | Receive Noise, Psophometric Weighted for A-law | | | -78 | dBm0p | |
| N _{rs} | Noise, Single Frequency f = 0 kHz - 100 kHz | | | -53 | dBm0 | IIN = 0 A, tested at VOUT |
| PSR _x | Power Supply Rejection Transmit f = 300 Hz - 3.4 kHz f = 3.4 kHz - 20 kHz | 40 | | | dB | VDD = 5.0 VDC + 100 mVrms |
| | | 25 | | | dB | |
| PSR _R | Power Supply Rejection Receive f = 300 Hz - 3.4 kHz f = 3.4 kHz - 20 kHz | 40 | | | dB | PCM code is positive one LSB, VDD = 5.0 VDC + 100 mVrms |
| | | 25 | | | dB | |
| SOS | Spurious Out-of-Band Signals at VOUT Relative to Input PCM code applied: 4600 Hz - 20 kHz 20 kHz - 50 kHz | | | -40 | dB | 0 dBm0, 300 Hz - 3400 Hz input |
| | | | | -30 | dB | |
| | | | | | | |

Interchannel Crosstalk

| Parameter | Description | Min | Typ | Max | Units | Test Conditions |
|------------|--------------------------------|-----|-----|-----|-------|---|
| XT_{X-R} | Transmit to Receive Crosstalk | | -85 | -78 | dB | 300 Hz – 3400 Hz, 0 dBm0 signal into IIN of interfering channel. Idle PCM code into channel under test. |
| XR_{R-X} | Receive to Transmit Crosstalk | | -85 | -80 | dB | 300 Hz – 3400 Hz, 0 dBm0 PCM code into interfering channel. IIN = 0 A for channel under test. |
| XT_{X-X} | Transmit to Transmit Crosstalk | | -85 | -78 | dB | 300 Hz – 3400 Hz, 0 dBm0 signal into IIN of interfering channel. IIN = 0 A for channel under test. |
| XR_{R-R} | Receive to Receive Crosstalk | | -85 | -80 | dB | 300 Hz – 3400 Hz, 0 dBm0 PCM code into interfering channel. Idle PCM code into channel under test. |

Intrachannel Crosstalk

| Parameter | Description | Min | Typ | Max | Units | Test Conditions |
|------------|-------------------------------|-----|-----|-----|-------|--|
| XT_{X-R} | Transmit to Receive Crosstalk | | -80 | -70 | dB | 300 Hz – 3400 Hz, 0 dBm0 signal into IIN. Idle PCM code into DR. |
| XR_{R-X} | Receive to Transmit Crosstalk | | -80 | -70 | dB | 300 Hz – 3400 Hz, 0 dBm0 PCM code into DR. IIN = 0 A. |

TIMING CHARACTERISTICS

Clock

| Parameter | Description | Min | Typ | Max | Units | Test Conditions |
|-----------|-------------------------|-----|-----|-----|-------|------------------------------------|
| t1 | PCLK Duty Cycle | 40 | | 60 | % | PCLK=512kHz to 8.192MHz |
| t2 | PCLK Rise and Fall Time | | | 25 | ns | PCLK=512kHz to 8.192MHz |
| t3 | MCLK Duty Cycle | 40 | | 60 | % | MCLK=2.048Hz, 4.096MHz or 8.192MHz |
| t4 | MCLK Rise and Fall Time | | | 15 | ns | MCLK=2.048Hz, 4.096MHz or 8.192MHz |
| t5 | PCLK Clock Period | 244 | | | ns | PCLK=512kHz to 8.192MHz |

Transmit

| Parameter | Description | Min | Typ | Max | Units | Test Conditions |
|-----------|--|-----|-----|--------------|-------|-----------------|
| t11 | Data Output Delay Time (for Short Frame Sync Mode) | 5 | | 70 | ns | |
| t12 | Data Hold Time | 5 | | 70 | ns | |
| t13 | Data Delay to High-Z | 50 | | 220 t5+70 | ns | |
| t14 | Frame sync Hold Time | 50 | | | ns | |
| t15 | Frame sync High Setup Time | 55 | | t5-50 | ns | |
| t16 | TSC Enable Delay Time(for Short Frame Sync Mode) | 5 | | 80 | ns | |
| t17 | TSC Disable Delay Time | 50 | | 220 t5+70 | ns | |
| t18 | Data Output Delay Time(for Long Frame Sync Mode) | 5 | | 40 | ns | |
| t19 | TSC Enable Delay Time(for Long Frame Sync Mode) | 5 | | 40 | ns | |
| t21 | Receive Data Setup Time | 25 | | | ns | |
| t22 | Receive Data Hold Time | 5 | | | ns | |

Note: Timing parameter t13 is referenced to a high-impedance state.

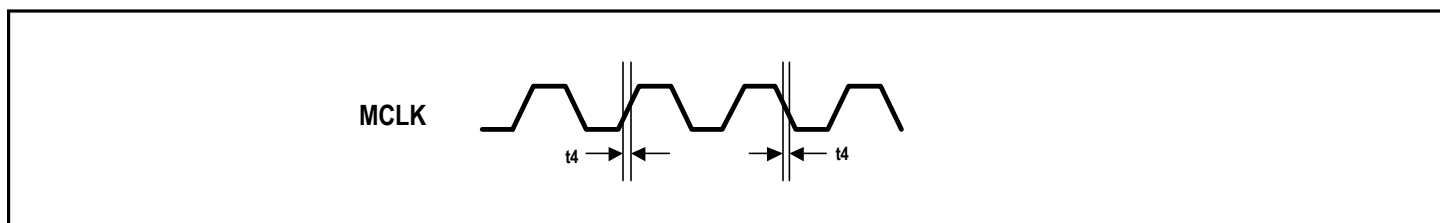


Figure 2. MCLK Timing

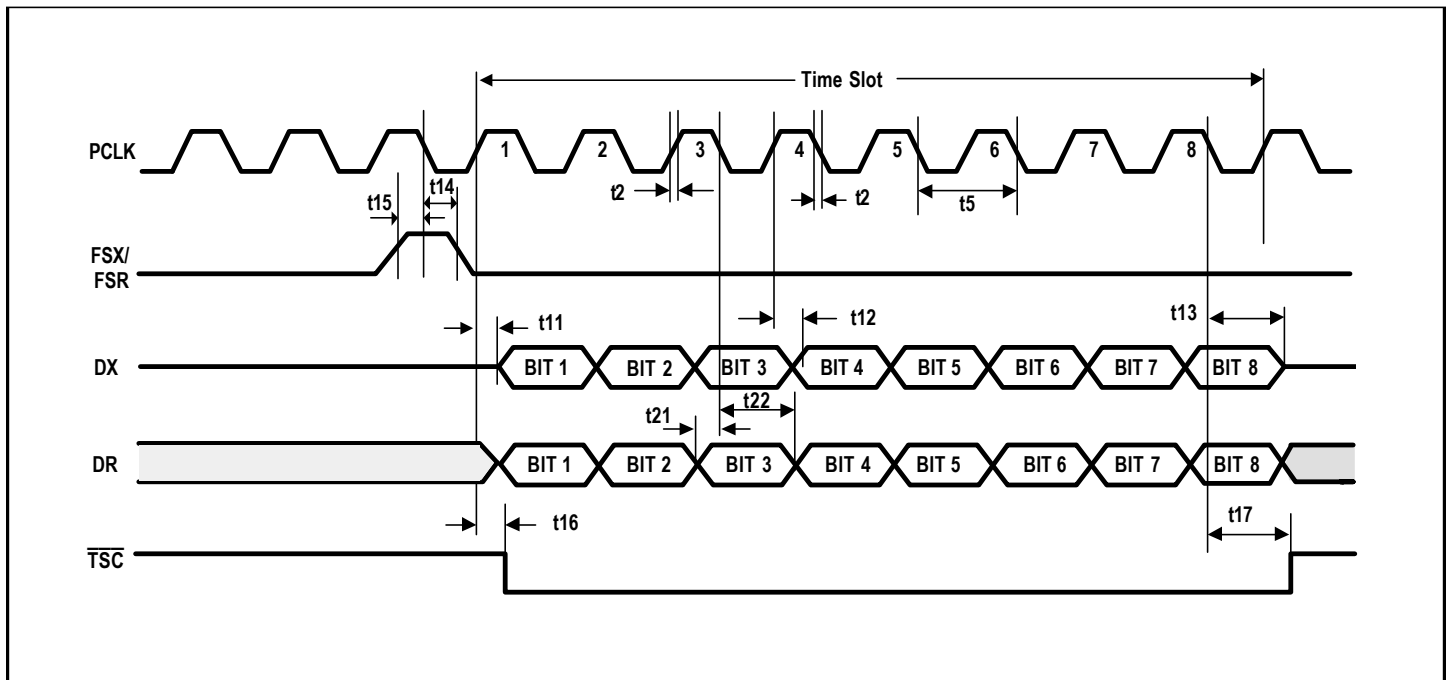


Figure 3. PCM Interface Timing for Short Frame Mode

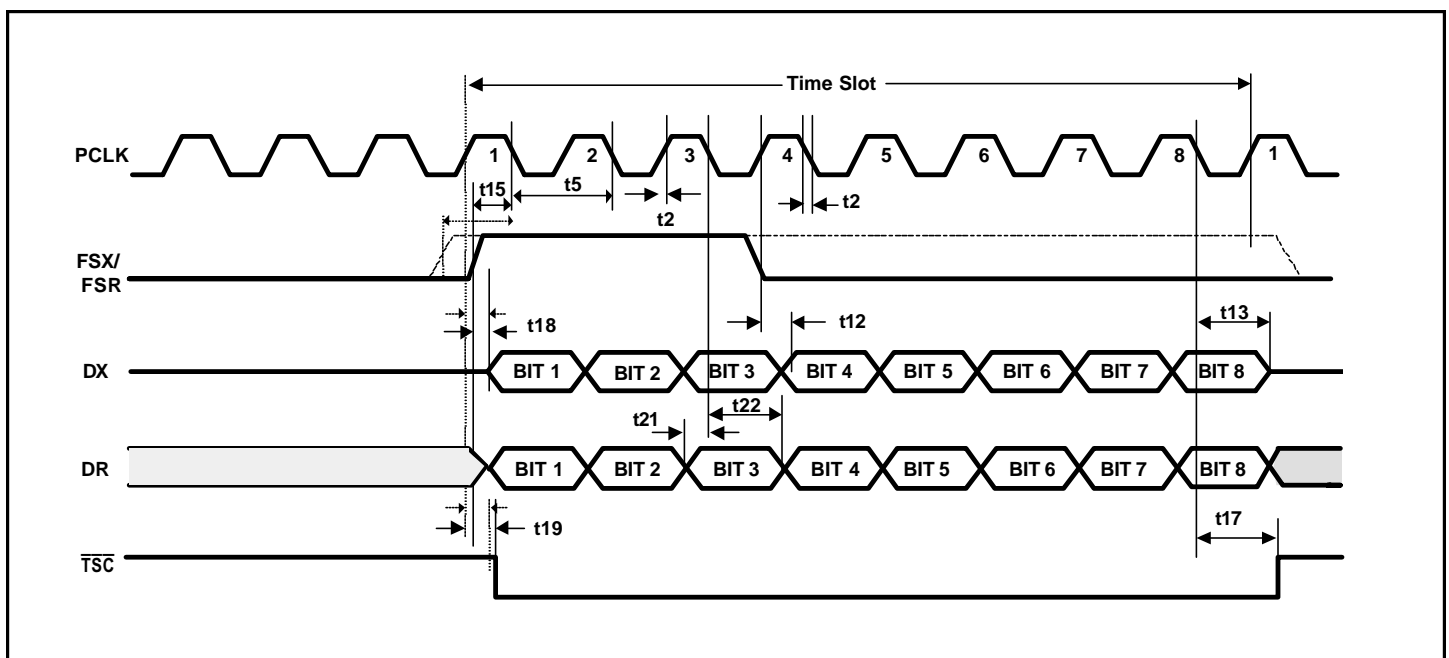
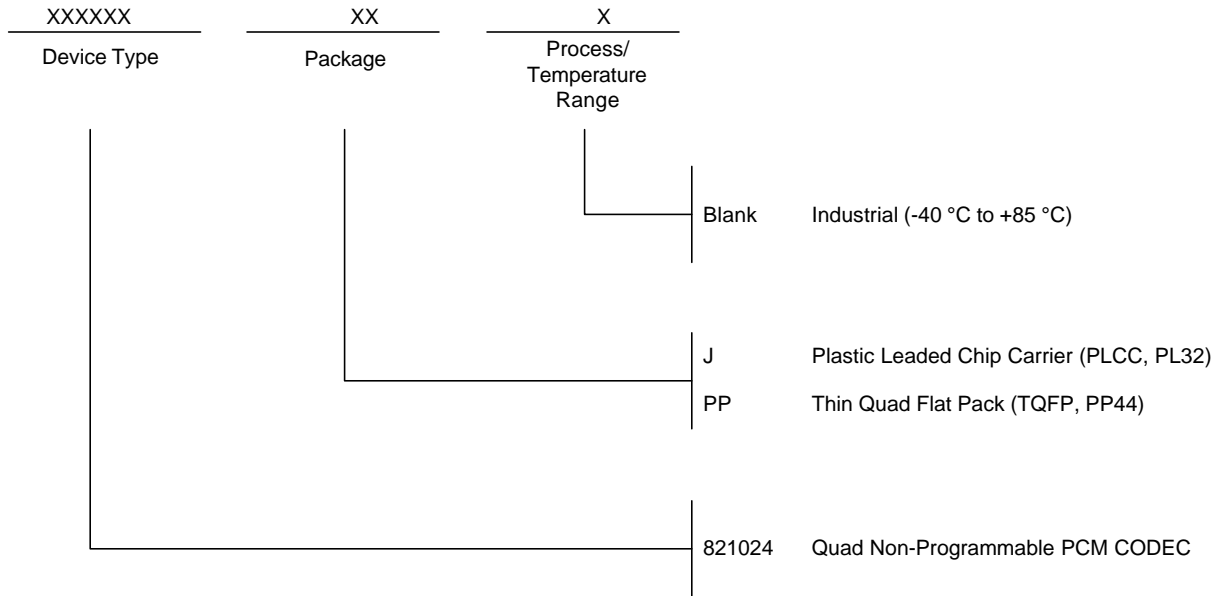


Figure 4. PCM Interface Timing for Long Frame Mode

ORDERING INFORMATION



Data Sheet Document History

| | |
|------------|---|
| 01/16/2002 | pgs. 4, 5 |
| 02/21/2002 | pgs. 1-4, 13 |
| 09/10/2002 | pg. 8 |
| 01/08/2003 | pgs. 1, 13 |
| 04/03/2003 | pg. 1 |
| 02/09/2009 | pg. 13 removed IDT from orderable part number |



CORPORATE HEADQUARTERS

2975 Stender Way
Santa Clara, CA 95054

for SALES:

800-345-7015 or 408-727-6116
fax: 408-492-8674
www.idt.com*

for Tech Support:

408-330-1552
email: telecomhelp@idt.com

*To search for sales office near you, please click the sales button found on our home page or dial the 800# above and press 2.

The IDT logo is a registered trademark of Integrated Device Technology, Inc.