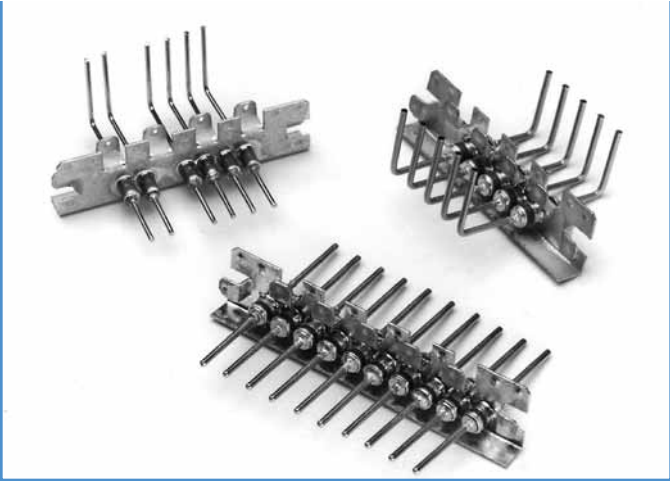


# Easy Mate® Jr. Filter Plates

Spectrum Control has expanded its popular Easy Mate® family by adding two more package sizes. These new sizes are lower profile and facilitate installation of feed-thru filters into small hardware applications such as PCS linear power amplifiers and RF transmitters. The Easy Mate® Jr. is available in two plate lengths .990" and 1.240" and in standard (.100") and high density centers (2mm).

## Easy Mate® Jr. Advantages

- Reduces installation time and overall cost
- Eliminates mounting hardware and prepwork
- Increase flexibility with standard density centers (.100") or high density centers (2mm)
- Improves overall quality and reliability
- Multiple finger ground contacts provide excellent EMI filtering from 5 MHz to 18 GHz
- Outperforms surface mount devices
- Maximize real estate on PCB
- Mixed capacitance values and schematics
- Ideal for isolation of electronic compartments
- Available in RoHS compliant versions



## Mechanical Specifications

### Base Plate

**Material** .....Beryllium copper

### Base Plate

**Thickness** .....010 inches (.25mm)

**Plating**.....Tin,  
RoHS version will be silver

**Lead Material**.....Copper alloy

**Lead Plating** .....Gold plate

**Lead Diameter**.....ø .025" (.64mm)  
for 0.100" centers (2.54mm)  
ø .020 (.51mm)  
for 0.079" centers (2.00mm)

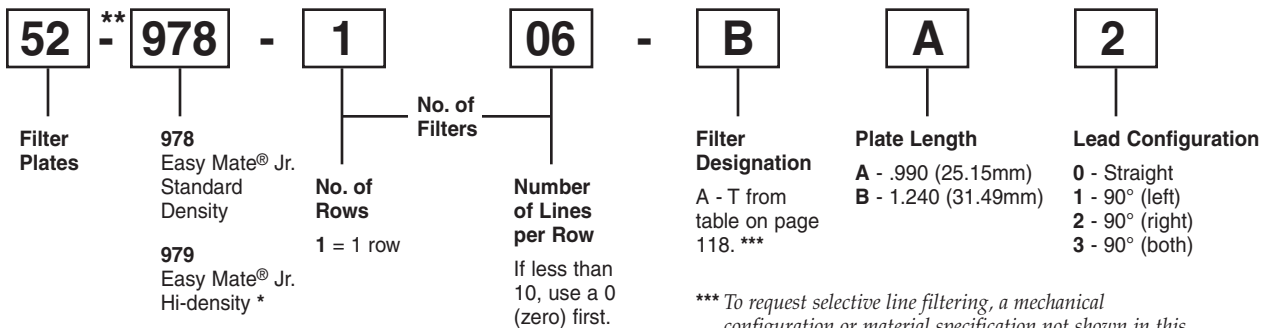
**Current Rating** .....5 Amps for .025" ø (.64mm)  
3 Amps for .020" ø (.51mm)

Filtered Arrays

## Ordering Information

### Example: 52-978-1-06-B-A-2

The part number shown represents an Easy Mate® Jr. filter plate with 6 filters. Filters are C style with a capacitance value of 100pF. The plate length is .990", and the leads are bent 90° to the right side.



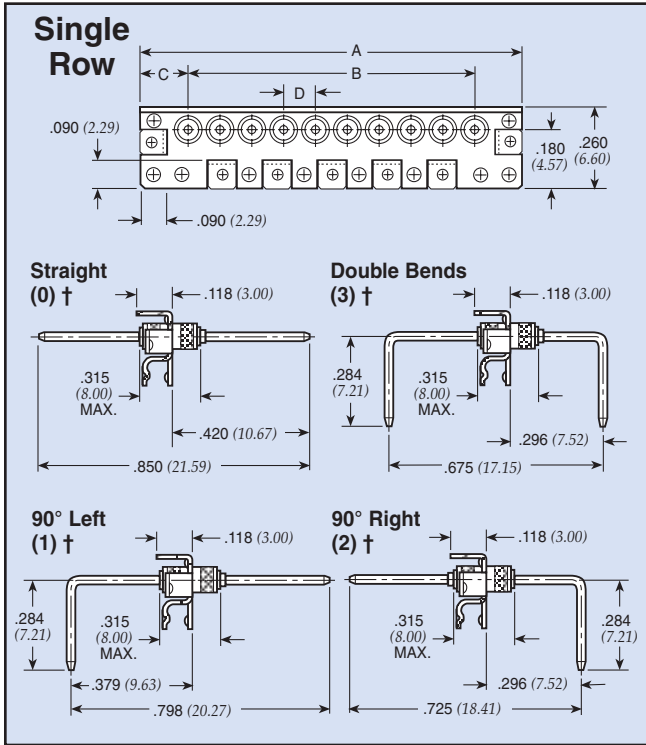
\* Maximum capacitance up to 4000pF C style filter

\*\*Replace "-" with "F" for RoHS complaint version

\*\*\* To request selective line filtering, a mechanical configuration or material specification not shown in this catalog, please complete and forward the design inquiry form on page 121. We will review your request and provide you with a part number.

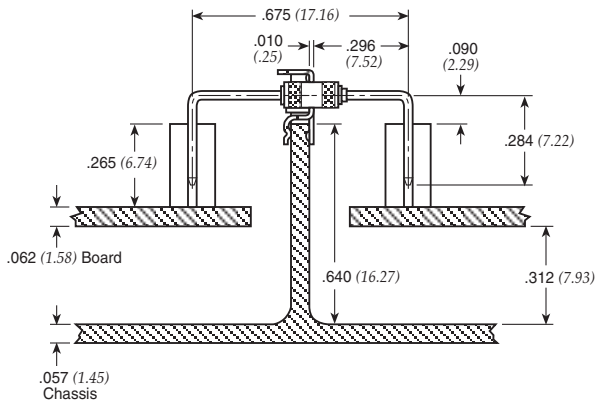
# Easy Mate® Jr. Filter Plates

Dimensions: inches and (mm)



† Refers to lead configuration for part number/ordering information

## Typical Mounting Application



## Standard Density Centers .100" (D)

Plate length (A)	No. of filtered lines per row	52-978-XXX-XXX	
		B	C
.990 (25.15)	2	0.1 (2.54)	0.395 (10.03)
	3	0.2 (5.08)	0.395 (10.03)
	4	0.3 (7.62)	0.295 (7.49)
	5	0.4 (10.16)	0.295 (7.49)
	6	0.5 (12.70)	0.195 (4.95)
1.24 (31.49)	2	0.1 (2.54)	0.570 (14.48)
	3	0.2 (5.08)	0.470 (11.94)
	4	0.3 (7.62)	0.470 (11.94)
	5	0.4 (10.16)	0.370 (9.40)
	6	0.5 (12.70)	0.370 (9.40)
1.24 (31.49)	7	0.6 (15.24)	0.270 (6.86)
	8	0.7 (17.78)	0.270 (6.86)
	9	0.8 (20.32)	0.170 (4.32)
	10	0.9 (22.86)	0.170 (4.32)

## High Density Centers 2mm (D)

Plate length (A)	No. of filtered lines per row	52-979-XXX-XXX	
		B	C
.990 (25.15)	2	0.079 (2.00)	0.417 (10.58)
	3	0.157 (4.00)	0.417 (10.58)
	4	0.236 (6.00)	0.338 (8.58)
	5	0.315 (8.00)	0.338 (8.58)
	6	0.394 (10.00)	0.259 (6.58)
	7	0.472 (12.00)	0.259 (6.58)
	1.24 (31.49)	2	0.079 (2.00)
3		0.157 (4.00)	0.502 (12.75)
4		0.236 (6.00)	0.502 (12.75)
5		0.315 (8.00)	0.423 (10.75)
6		0.394 (10.00)	0.423 (10.75)
7		0.472 (12.00)	0.344 (8.75)
8		0.551 (14.00)	0.344 (8.75)
9		0.630 (16.00)	0.266 (6.75)
10		0.709 (18.00)	0.266 (6.75)

## Easy Mate® Jr. Chassis Cut-out Design Patented

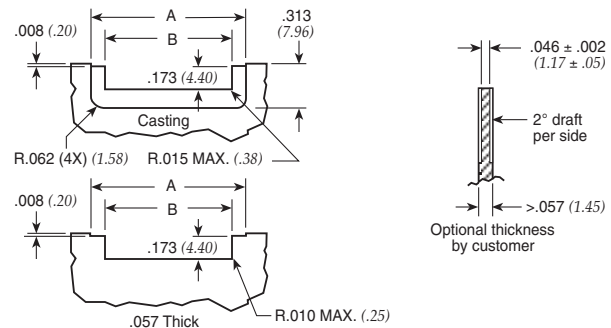


Plate Length	A	B
.990 (25.15)	1.015 (25.78)	0.834 (21.18)
1.24 (31.49)	1.265 (32.13)	1.084 (27.53)

Filtered Arrays