



# Low-Power, Quad, 12-Bit Voltage-Output DAC with Serial Interface

## ABSOLUTE MAXIMUM RATINGS

|   |                                   |
|---|-----------------------------------|
| V <sub>DD</sub> to AGND                               | -0.3V to +6V                      |
| V <sub>DD</sub> to DGND                               | -0.3V to +6V                      |
| AGND to DGND  | ±0.3V                             |
| REFAB, REFCD to AGND                                  | -0.3V to (V <sub>DD</sub> + 0.3V) |
| OUT <sub>-</sub> , FB <sub>-</sub> to AGND            | -0.3V to (V <sub>DD</sub> + 0.3V) |
| Digital Inputs to DGND                                | -0.3V to +6V                      |
| DOUT, UPO to DGND                                     | -0.3V to (V <sub>DD</sub> + 0.3V) |
| Continuous Current into Any Pin                       | ±20mA                             |
| Continuous Power Dissipation (T <sub>A</sub> = +70°C) |                                   |
| Plastic DIP (derate 8.00mW/°C above +70°C)            | 640mW                             |
| SSOP (derate 8.00mW/°C above +70°C)                   | 640mW                             |
| CERDIP (derate 11.11mW/°C above +70°C)                | 889mW                             |

|                                   |                 |
|-----------------------------------|-----------------|
| Operating Temperature Ranges      |                 |
| MAX525_C_P                        | 0°C to +70°C    |
| MAX525_E_P                        | -40°C to +85°C  |
| MAX525_MJP                        | -55°C to +125°C |
| Storage Temperature Range         | -65°C to +150°C |
| Lead Temperature (soldering, 10s) | +300°C          |

Stresses beyond those listed under "Absolute Maximum Ratings" may cause permanent damage to the device. These are stress ratings only, and functional operation of the device at these or any other conditions beyond those indicated in the operational sections of the specifications is not implied. Exposure to absolute maximum rating conditions for extended periods may affect device reliability.

## ELECTRICAL CHARACTERISTICS

(V<sub>DD</sub> = +5V ±10%, AGND = DGND = 0V, REFAB = REFCD = 2.5V, R<sub>L</sub> = 5kΩ, C<sub>L</sub> = 100pF, T<sub>A</sub> = T<sub>MIN</sub> to T<sub>MAX</sub>, unless otherwise noted. Typical values are at T<sub>A</sub> = +25°C. Output buffer connected in unity-gain configuration (Figure 9).)

| PARAMETER   | SYMBOL           | CONDITIONS                              | MIN | TYP                   | MAX  | UNITS  |
|---|------------------|---|-----|-----------------------|------|--------|
| <b>STATIC PERFORMANCE—ANALOG SECTION</b>            |                  |   |     |                       |      |        |
| Resolution  | N                |   | 12  |                       |      | Bits   |
| Integral Nonlinearity (Note 1)                      | INL              | MAX525A                                 |     | ±0.25                 | ±0.5 | LSB    |
|   |                  | MAX525B                                 |     |                       | ±1.0 |        |
| Differential Nonlinearity                           | DNL              | Guaranteed monotonic                    |     |                       | ±1.0 | LSB    |
| Offset Error  | V <sub>OS</sub>  |   |     |                       | ±6.0 | mV     |
| Offset-Error Tempco                                 |                  |   |     | 6                     |      | ppm/°C |
| Gain Error  | GE               | (Note 1)                                |     | -0.8                  | ±2.0 | LSB    |
| Gain-Error Tempco                                   |                  |   |     | 1                     |      | ppm/°C |
| Power-Supply Rejection Ratio                        | PSRR             | 4.5V ≤ V <sub>DD</sub> ≤ 5.5V           |     | 100                   | 600  | μV/V   |
| <b>MATCHING PERFORMANCE (T<sub>A</sub> = +25°C)</b> |                  |   |     |                       |      |        |
| Gain Error  | GE               |   |     | -0.8                  | ±2.0 | LSB    |
| Offset Error  |                  |   |     | ±1.0                  | ±6.0 | mV     |
| Integral Nonlinearity                               | INL              |   |     | ±0.35                 | ±1.0 | LSB    |
| <b>REFERENCE INPUT</b>                              |                  |   |     |                       |      |        |
| Reference Input Range                               | V <sub>REF</sub> |   | 0   | V <sub>DD</sub> - 1.4 |      | V      |
| Reference Input Resistance                          | R <sub>REF</sub> | Code-dependent, minimum at code 555 hex | 8   |                       |      | kΩ     |
| Reference Current in Shutdown                       |                  |   |     | 0.01                  | ±1   | μA     |

# Low-Power, Quad, 12-Bit Voltage-Output DAC with Serial Interface

MAX525

## ELECTRICAL CHARACTERISTICS (continued)

( $V_{DD} = +5V \pm 10\%$ ,  $AGND = DGND = 0V$ ,  $REFAB = REFCD = 2.5V$ ,  $R_L = 5k\Omega$ ,  $C_L = 100pF$ ,  $T_A = T_{MIN}$  to  $T_{MAX}$ , unless otherwise noted. Typical values are at  $T_A = +25^\circ C$ . Output buffer connected in unity-gain configuration (Figure 9).)

| PARAMETER                             | SYMBOL   | CONDITIONS  | MIN            | TYP           | MAX       | UNITS      |
|---------------------------------------|----------|---|----------------|---------------|-----------|------------|
| <b>MULTIPLYING-MODE PERFORMANCE</b>   |          |   |                |               |           |            |
| Reference -3dB Bandwidth              |          | $V_{REF} = 0.67V_{P-P}$                             |                | 650           |           | kHz        |
| Reference Feedthrough                 |          | Input code = all 0s, $V_{REF} = 3.6V_{P-P}$ at 1kHz |                | -84           |           | dB         |
| Signal-to-Noise Plus Distortion Ratio | SINAD    | $V_{REF} = 1V_{P-P}$ at 25kHz                       |                | 72            |           | dB         |
| <b>DIGITAL INPUTS</b>                 |          |   |                |               |           |            |
| Input High Voltage                    | $V_{IH}$ |   | 2.4            |               |           | V          |
| Input Low Voltage                     | $V_{IL}$ |   |                |               | 0.8       | V          |
| Input Leakage Current                 | $I_{IN}$ | $V_{IN} = 0V$ or $V_{DD}$                           |                | 0.01          | $\pm 1.0$ | $\mu A$    |
| Input Capacitance                     | $C_{IN}$ |   |                | 8             |           | pF         |
| <b>DIGITAL OUTPUTS</b>                |          |   |                |               |           |            |
| Output High Voltage                   | $V_{OH}$ | $I_{SOURCE} = 2mA$                                  | $V_{DD} - 0.5$ |               |           | V          |
| Output Low Voltage                    | $V_{OL}$ | $I_{SINK} = 2mA$                                    |                | 0.13          | 0.4       | V          |
| <b>DYNAMIC PERFORMANCE</b>            |          |   |                |               |           |            |
| Voltage Output Slew Rate              | SR       |   |                | 0.6           |           | V/ $\mu s$ |
| Output Settling Time                  |          | $T_o \pm 1/2LSB$ , $V_{STEP} = 2.5V$                |                | 12            |           | $\mu s$    |
| Output Voltage Swing                  |          | Rail-to-Rail® (Note 2)                              |                | 0 to $V_{DD}$ |           | V          |
| Current into FB_                      |          |   |                | 0             | 0.1       | $\mu A$    |
| OUT_ Leakage Current in Shutdown      |          | $R_L = \infty$                                      |                | 0.01          | $\pm 1$   | $\mu A$    |
| Start-Up Time Exiting Shutdown Mode   |          |   |                | 15            |           | $\mu s$    |
| Digital Feedthrough                   |          | $\overline{CS} = V_{DD}$ , $DIN = 100kHz$           |                | 5             |           | nV-s       |
| Digital Crosstalk                     |          |   |                | 5             |           | nV-s       |
| <b>POWER SUPPLIES</b>                 |          |   |                |               |           |            |
| Supply Voltage                        | $V_{DD}$ |   | 4.5            |               | 5.5       | V          |
| Supply Current                        | $I_{DD}$ | (Note 3)  |                | 0.85          | 0.98      | mA         |
| Supply Current in Shutdown            |          | (Note 3)  |                | 10            | 20        | $\mu A$    |
| Reference Current in Shutdown         |          |   |                | 0.01          | $\pm 1$   | $\mu A$    |

**Note 1:** Guaranteed from code 11 to code 4095 in unity-gain configuration.

**Note 2:** Accuracy is better than 1.0LSB for  $V_{OUT} = 6mV$  to  $V_{DD} - 60mV$ , guaranteed by PSR test on end points.

**Note 3:**  $R_L = \infty$ , digital inputs at DGND or  $V_{DD}$ .

Rail-to-Rail is a registered trademark of Nippon Motorola, Ltd.

# Low-Power, Quad, 12-Bit Voltage-Output DAC with Serial Interface

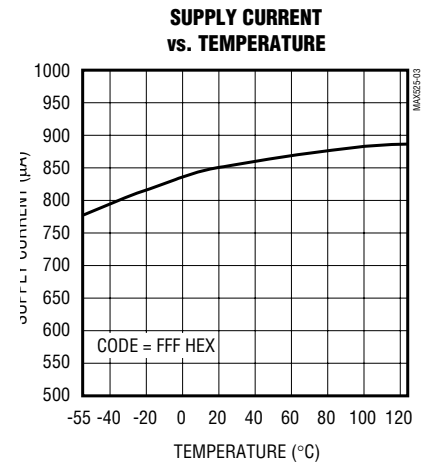
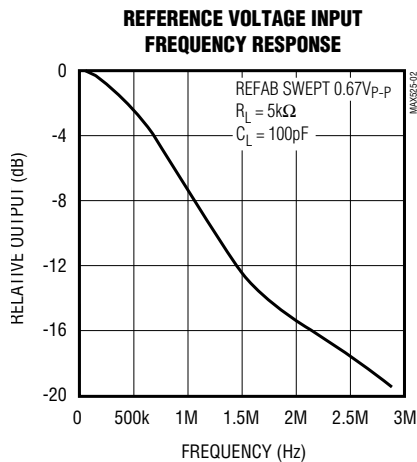
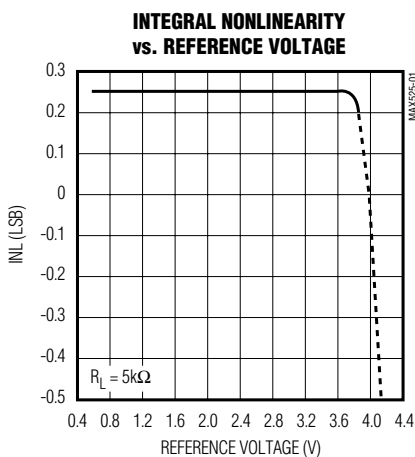
## ELECTRICAL CHARACTERISTICS (continued)

( $V_{DD} = +5V \pm 10\%$ ,  $AGND = DGND = 0V$ ,  $REFAB = REFCD = 2.5V$ ,  $R_L = 5k\Omega$ ,  $C_L = 100pF$ ,  $T_A = T_{MIN}$  to  $T_{MAX}$ , unless otherwise noted. Typical values are at  $T_A = +25^\circ C$ . Output buffer connected in unity-gain configuration (Figure 9).)

| PARAMETER                                    | SYMBOL | CONDITIONS         | MIN | TYP | MAX | UNITS |
|--|--------|--------------------|-----|-----|-----|-------|
| <b>TIMING CHARACTERISTICS (Figure 6)</b>     |        |                    |     |     |     |       |
| SCLK Clock Period                            | tCP    |                    | 100 |     |     | ns    |
| SCLK Pulse Width High                        | tCH    |                    | 40  |     |     | ns    |
| SCLK Pulse Width Low                         | tCL    |                    | 40  |     |     | ns    |
| $\overline{CS}$ Fall to SCLK Rise Setup Time | tCSS   |                    | 40  |     |     | ns    |
| SCLK Rise to $\overline{CS}$ Rise Hold Time  | tCSH   |                    | 0   |     |     | ns    |
| DIN Setup Time                               | tDS    |                    | 40  |     |     | ns    |
| DIN Hold Time                                | tDH    |                    | 0   |     |     | ns    |
| SCLK Rise to DOUT Valid Propagation Delay    | tD01   | $C_{LOAD} = 200pF$ |     |     | 80  | ns    |
| SCLK Fall to DOUT Valid Propagation Delay    | tD02   | $C_{LOAD} = 200pF$ |     |     | 80  | ns    |
| SCLK Rise to $\overline{CS}$ Fall Delay      | tCS0   |                    | 40  |     |     | ns    |
| $\overline{CS}$ Rise to SCLK Rise Hold Time  | tCS1   |                    | 40  |     |     | ns    |
| $\overline{CS}$ Pulse Width High             | tCSW   |                    | 100 |     |     | ns    |

## Typical Operating Characteristics

( $V_{DD} = +5V$ ,  $T_A = +25^\circ C$ , unless otherwise noted.)

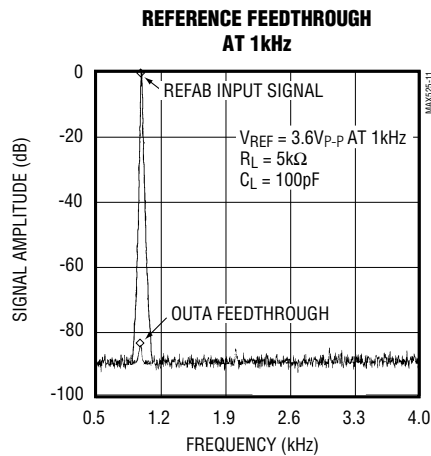
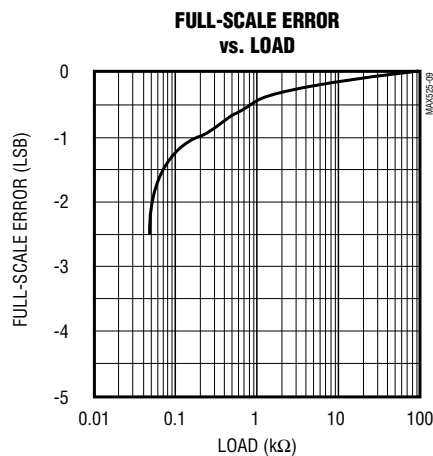
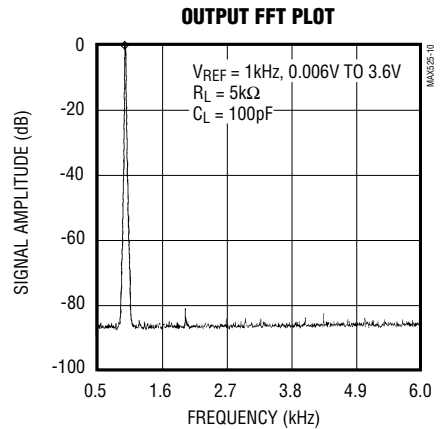
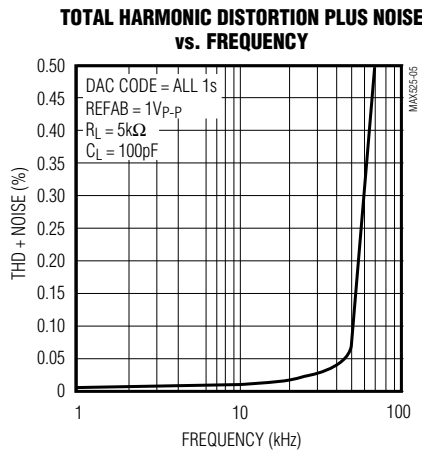
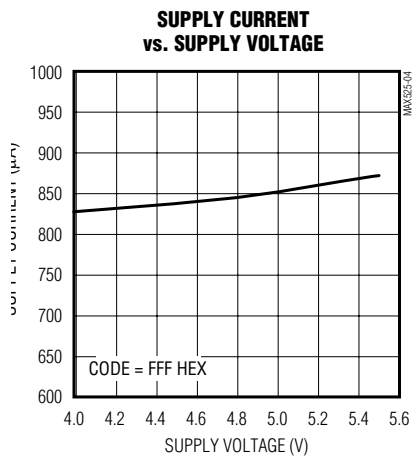


# Low-Power, Quad, 12-Bit Voltage-Output DAC with Serial Interface

MAX525

## Typical Operating Characteristics (continued)

( $V_{DD} = +5V$ ,  $T_A = +25^\circ C$ , unless otherwise noted.)

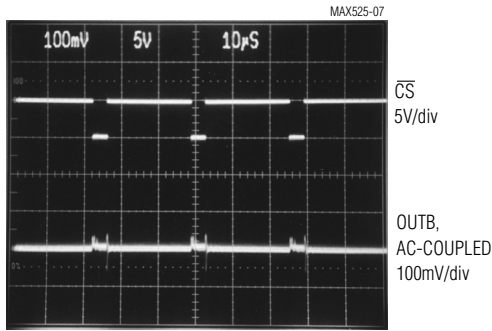


# Low-Power, Quad, 12-Bit Voltage-Output DAC with Serial Interface

## Typical Operating Characteristics (continued)

( $V_{DD} = +5V$ ,  $T_A = +25^\circ C$ , unless otherwise noted.)

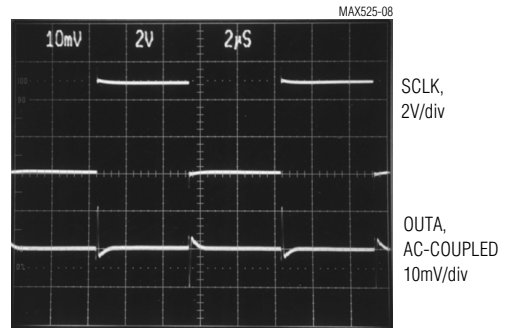
MAJOR-CARRY TRANSITION



10µs/div

$V_{REF} = 2.5V$ ,  $R_L = 5k\Omega$ ,  $C_L = 100pF$

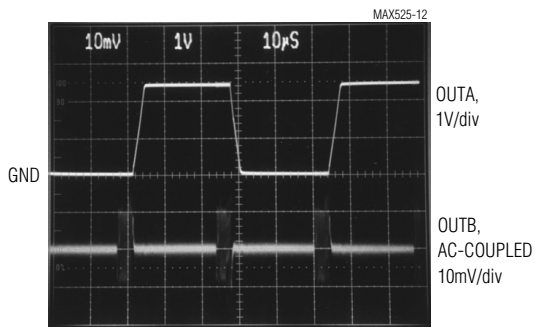
DIGITAL FEEDTHROUGH (SCLK = 100kHz)



2µs/div

$V_{REF} = 2.5V$ ,  $R_L = 5k\Omega$ ,  $C_L = 100pF$   
 $\overline{CS} = \overline{PDL} = \overline{CL} = 5V$ ,  $DIN = 0V$   
 DAC A CODE SET TO 800 HEX

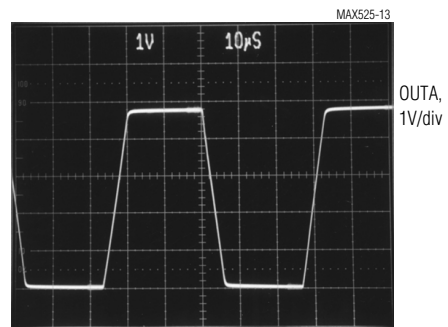
ANALOG CROSSTALK



10µs/div

$V_{REF} = 2.5V$ ,  $R_L = 5k\Omega$ ,  $C_L = 100pF$   
 DAC A CODE SWITCHING FROM 00B HEX TO FFF HEX  
 DAC B CODE SET TO 800 HEX

DYNAMIC RESPONSE



10µs/div

$V_{REF} = 2.5V$ ,  $R_L = 5k\Omega$ ,  $C_L = 100pF$   
 SWITCHING FROM CODE 000 HEX TO FB4 HEX  
 OUTPUT AMPLIFIER GAIN = +2

# Low-Power, Quad, 12-Bit Voltage-Output DAC with Serial Interface

## Pin Description

**MAX525**

| PIN | NAME             | FUNCTION   |
|-----|------------------|--|
| 1   | AGND             | Analog Ground  |
| 2   | FBA              | DAC A Output Amplifier Feedback  |
| 3   | OUTA             | DAC A Output Voltage   |
| 4   | OUTB             | DAC B Output Voltage   |
| 5   | FBB              | DAC B Output Amplifier Feedback  |
| 6   | REFAB            | Reference Voltage Input for DAC A and DAC B  |
| 7   | $\overline{CL}$  | Clear All DACs and Registers. Resets all outputs (OUT_, UPO, DOUT) to 0, active low. |
| 8   | $\overline{CS}$  | Chip-Select Input. Active low.   |
| 9   | DIN              | Serial-Data Input  |
| 10  | SCLK             | Serial Clock Input   |
| 11  | DGND             | Digital Ground   |
| 12  | DOUT             | Serial-Data Output   |
| 13  | UPO              | User-Programmable Logic Output   |
| 14  | $\overline{PDL}$ | Power-Down Lockout. Active low. Locks out software shutdown if low.                  |
| 15  | REFCD            | Reference Voltage Input for DAC C and DAC D  |
| 16  | FBC              | DAC C Output Amplifier Feedback  |
| 17  | OUTC             | DAC C Output Voltage   |
| 18  | OUTD             | DAC D Output Voltage   |
| 19  | FBD              | DAC D Output Amplifier Feedback  |
| 20  | VDD              | Positive Power Supply  |

# Low-Power, Quad, 12-Bit Voltage-Output DAC with Serial Interface

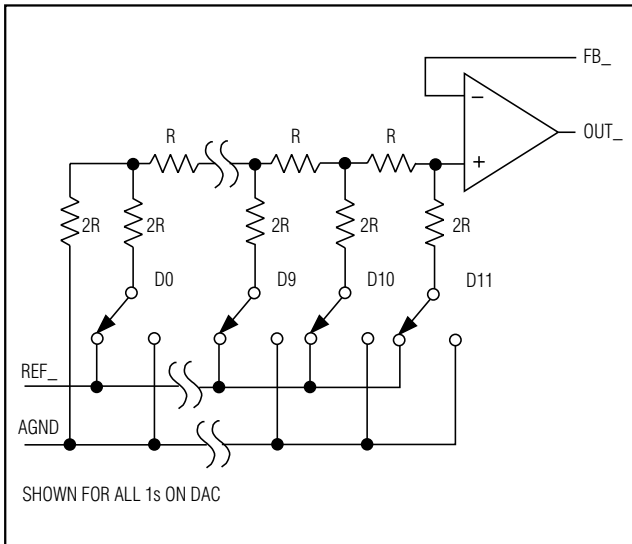


Figure 1. Simplified DAC Circuit Diagram

## Detailed Description

The MAX525 contains four 12-bit, voltage-output digital-to-analog converters (DACs) that are easily addressed using a simple 3-wire serial interface. It includes a 16-bit data-in/data-out shift register, and each DAC has a doubled-buffered input composed of an input register and a DAC register (see *Functional Diagram*). In addition to the four voltage outputs, each amplifier's negative input is available to the user.

The DACs are inverted R-2R ladder networks that convert 12-bit digital inputs into equivalent analog output voltages in proportion to the applied reference voltage inputs. DACs A and B share the REFAB reference input, while DACs C and D share the REFCD reference input. The two reference inputs allow different full-scale output voltage ranges for each pair of DACs. Figure 1 shows a simplified circuit diagram of one of the four DACs.

### Reference Inputs

The two reference inputs accept positive DC and AC signals. The voltage at each reference input sets the full-scale output voltage for its two corresponding DACs. The reference input voltage range is 0V to ( $V_{DD} - 1.4V$ ). The output voltages ( $V_{OUT\_}$ ) are represented by a digitally programmable voltage source as:

$$V_{OUT\_} = (V_{REF} \times NB / 4096) \times \text{Gain}$$

where NB is the numeric value of the DAC's binary input code (0 to 4095),  $V_{REF}$  is the reference voltage, and Gain is the externally set voltage gain.

The impedance at each reference input is code-dependent, ranging from a low value of  $10k\Omega$  when both DACs connected to the reference have an input code of 555 hex, to a high value exceeding several gigohms (leakage currents) with an input code of 000 hex. Because the input impedance at the reference pins is code-dependent, load regulation of the reference source is important.

The REFAB and REFCD reference inputs have a  $10k\Omega$  guaranteed minimum input impedance. When the two reference inputs are driven from the same source, the effective minimum impedance is  $5k\Omega$ . A voltage reference with a load regulation of 6ppm/mA, such as the MAX873, would typically deviate by 0.025LSB (0.061LSB worst case) when driving both MAX525 reference inputs simultaneously at 2.5V. Driving the REFAB and REFCD pins separately improves reference accuracy.

In shutdown mode, the MAX525's REFAB and REFCD inputs enter a high-impedance state with a typical input leakage current of  $0.01\mu A$ .

The reference input capacitance is also code dependent and typically ranges from 20pF with an input code of all 0s to 100pF with an input code of all 1s.

### Output Amplifiers

All MAX525 DAC outputs are internally buffered by precision amplifiers with a typical slew rate of  $0.6V/\mu s$ . Access to the inverting input of each output amplifier provides the user greater flexibility in output gain setting/signal conditioning (see the *Applications Information* section).

With a full-scale transition at the MAX525 output, the typical settling time to  $\pm 1/2LSB$  is  $12\mu s$  when loaded with  $5k\Omega$  in parallel with 100pF (loads less than  $2k\Omega$  degrade performance).

The MAX525 output amplifier's output dynamic responses and settling performances are shown in the *Typical Operating Characteristics*.

### Power-Down Mode

The MAX525 features a software-programmable shutdown that reduces supply current to a typical value of  $10\mu A$ . The power-down lockout (PDL) pin must be high to enable the shutdown mode. Writing 1100XXXXXXXXXXXX as the input-control word puts the MAX525 in power-down mode (Table 1).



# Low-Power, Quad, 12-Bit Voltage-Output DAC with Serial Interface

**MAX525**

In power-down mode, the MAX525 output amplifiers and the reference inputs enter a high-impedance state. The serial interface remains active. Data in the input registers is retained in power-down, allowing the MAX525 to recall the output states prior to entering shutdown. Start up from power-down either by recalling the previous configuration or by updating the DACs with new data. When powering up the device or bringing it out of shutdown, allow 15µs for the outputs to stabilize.

## Serial-Interface Configurations

The MAX525's 3-wire serial interface is compatible with both MICROWIRE (Figure 2) and SPI/QSPI (Figure 3). The serial input word consists of two address bits and two control bits followed by 12 data bits (MSB first), as shown in Figure 4. The 4-bit address/control code determines the MAX525's response outlined in Table 1. The connection between DOUT and the serial-interface port is not necessary, but may be used for data echo. Data held in the MAX525's shift register can be shifted out of DOUT and returned to the microprocessor (µP) for data verification.

The MAX525's digital inputs are double buffered. Depending on the command issued through the serial interface, the input register(s) can be loaded without affecting the DAC register(s), the DAC register(s) can be loaded directly, or all four DAC registers can be updated simultaneously from the input registers (Table 1).

## Serial-Interface Description

The MAX525 requires 16 bits of serial data. Table 1 lists the serial-interface programming commands. For certain commands, the 12 data bits are "don't cares." Data is sent MSB first and can be sent in two 8-bit packets or one 16-bit word ( $\overline{CS}$  must remain low until 16 bits are transferred). The serial data is composed of two DAC address bits (A1, A0) and two control bits (C1, C0), followed by the 12 data bits D11...D0 (Figure 4). The 4-bit address/control code determines:

- The register(s) to be updated
- The clock edge on which data is to be clocked out through the serial-data output (DOUT)
- The state of the user-programmable logic output (UPO)
- If the part is to go into shutdown mode (assuming PDL is high)
- How the part is configured when coming out of shutdown mode.

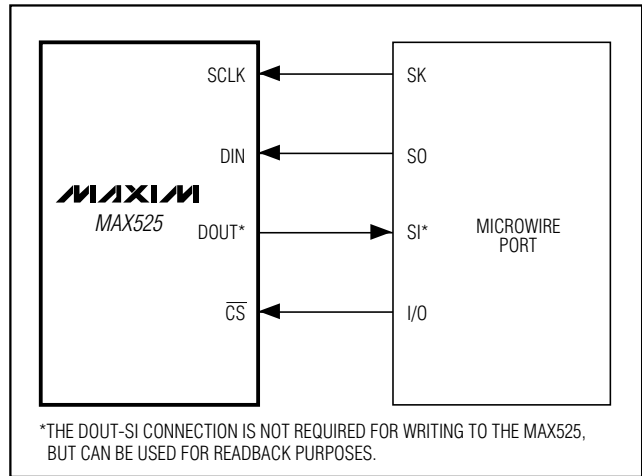


Figure 2. Connections for Microwire

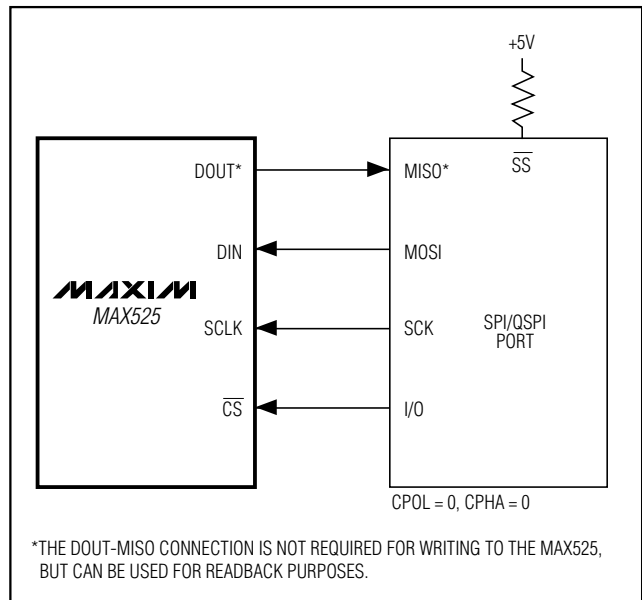


Figure 3. Connections for SPI/QSPI

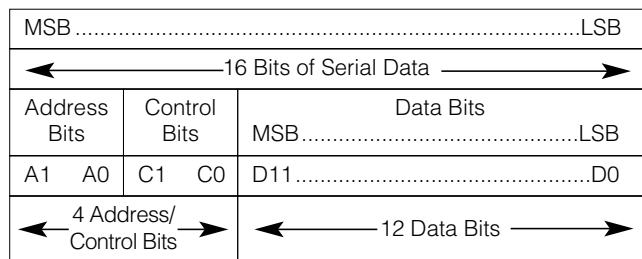


Figure 4. Serial-Data Format

# Low-Power, Quad, 12-Bit Voltage-Output DAC with Serial Interface

Table 1. Serial-Interface Programming Commands

| 16-BIT SERIAL WORD |    |    |    |  | FUNCTION  |
|--------------------|----|----|----|--|---|
| A1                 | A0 | C1 | C0 | D11.....D0<br>MSB                  LSB |   |
| 0                  | 0  | 0  | 1  | 12-bit DAC data                        | Load input register A; DAC registers unchanged.                                       |
| 0                  | 1  | 0  | 1  | 12-bit DAC data                        | Load input register B; DAC registers unchanged.                                       |
| 1                  | 0  | 0  | 1  | 12-bit DAC data                        | Load input register C; DAC registers unchanged.                                       |
| 1                  | 1  | 0  | 1  | 12-bit DAC data                        | Load input register D; DAC registers unchanged.                                       |
| 0                  | 0  | 1  | 1  | 12-bit DAC data                        | Load input register A; all DAC registers updated.                                     |
| 0                  | 1  | 1  | 1  | 12-bit DAC data                        | Load input register B; all DAC registers updated.                                     |
| 1                  | 0  | 1  | 1  | 12-bit DAC data                        | Load input register C; all DAC registers updated.                                     |
| 1                  | 1  | 1  | 1  | 12-bit DAC data                        | Load input register D; all DAC registers updated.                                     |
| 0                  | 1  | 0  | 0  | XXXXXXXXXXXX                           | Update all DAC registers from their respective input registers (start-up).            |
| 1                  | 0  | 0  | 0  | 12-bit DAC data                        | Load all DAC registers from shift register (start-up).                                |
| 1                  | 1  | 0  | 0  | XXXXXXXXXXXX                           | Shutdown (provided $\overline{\text{PDL}} = 1$ )                                      |
| 0                  | 0  | 1  | 0  | XXXXXXXXXXXX                           | UPO goes low (default)  |
| 0                  | 1  | 1  | 0  | XXXXXXXXXXXX                           | UPO goes high   |
| 0                  | 0  | 0  | 0  | XXXXXXXXXXXX                           | No operation (NOP) to DAC registers   |
| 1                  | 1  | 1  | 0  | XXXXXXXXXXXX                           | Mode 1, DOUT clocked out on SCLK's rising edge. All DAC registers updated.            |
| 1                  | 0  | 1  | 0  | XXXXXXXXXXXX                           | Mode 0, DOUT clocked out on SCLK's falling edge. All DAC registers updated (default). |

"X" = Don't care

Figure 5 shows the serial-interface timing requirements. The chip-select pin ( $\overline{\text{CS}}$ ) must be low to enable the DAC's serial interface. When  $\overline{\text{CS}}$  is high, the interface control circuitry is disabled.  $\overline{\text{CS}}$  must go low at least  $t_{\text{CSS}}$  before the rising serial clock (SCLK) edge to properly clock in the first bit. When  $\overline{\text{CS}}$  is low, data is clocked into the internal shift register through the serial-data input pin (DIN) on SCLK's rising edge. The maximum guaranteed clock frequency is 10MHz. Data is latched into the appropriate MAX525 input/DAC registers on  $\overline{\text{CS}}$ 's rising edge.

The programming command Load-All-DACs-From-Shift-Register allows all input and DAC registers to be simultaneously loaded with the same digital code from the input shift register. The no operation (NOP) command leaves the register contents unaffected and is useful when the MAX525 is configured in a daisy chain (see the *Daisy Chaining Devices* section). The command to

change the clock edge on which serial data is shifted out of DOUT also loads data from all input registers to their respective DAC registers.

### Serial-Data Output (DOUT)

The serial-data output, DOUT, is the internal shift register's output. The MAX525 can be programmed so that data is clocked out of DOUT on SCLK's rising edge (Mode 1) or falling edge (Mode 0). In Mode 0, output data at DOUT lags input data at DIN by 16.5 clock cycles, maintaining compatibility with MICROWIRE, SPI/QSPI, and other serial interfaces. In Mode 1, output data lags input data by 16 clock cycles. On power-up, DOUT defaults to Mode 0 timing.

### User-Programmable Logic Output (UPO)

The user-programmable logic output, UPO, allows an external device to be controlled through the MAX525 serial interface (Table 1).

# Low-Power, Quad, 12-Bit Voltage-Output DAC with Serial Interface

**MAX525**

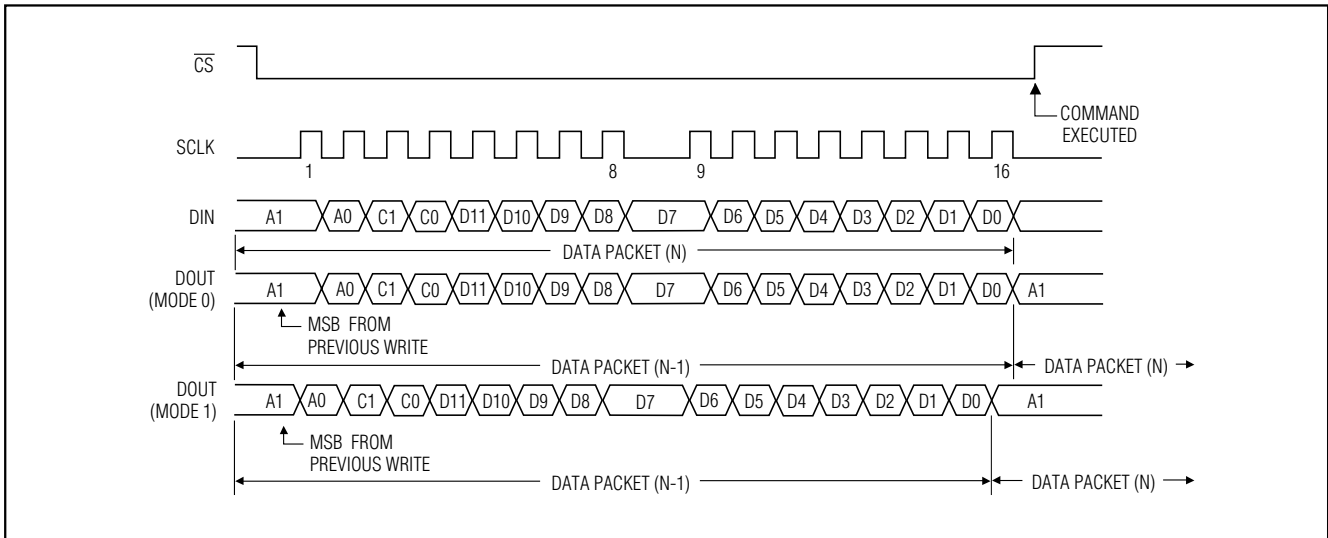


Figure 5. Serial-Interface Timing Diagram

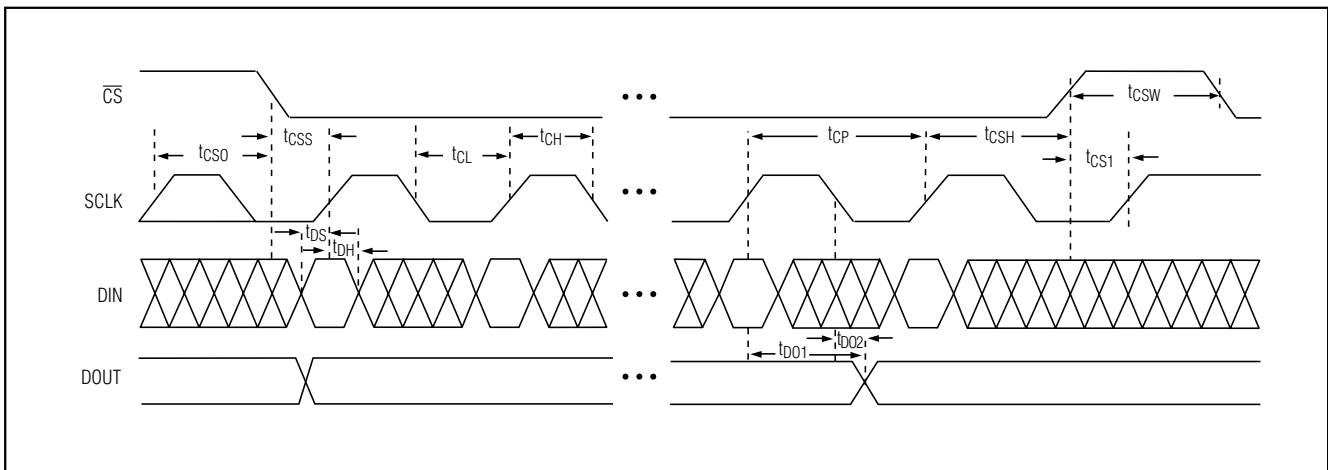


Figure 6. Detailed Serial-Interface Timing Diagram

## Power-Down Lockout ( $\overline{\text{PDL}}$ )

The power-down lockout pin  $\overline{\text{PDL}}$  disables software shutdown when low. When in shutdown, transitioning  $\overline{\text{PDL}}$  from high to low wakes up the part with the output set to the state prior to shutdown.  $\overline{\text{PDL}}$  could also be used to asynchronously wake up the device.

## Daisy Chaining Devices

Any number of MAX525s can be daisy chained by connecting the DOUT pin of one device to the DIN pin of the following device in the chain (Figure 7).

Since the MAX525's DOUT pin has an internal active pullup, the DOUT sink/source capability determines the time required to discharge/charge a capacitive load. Refer to the serial-data-out  $V_{OH}$  and  $V_{OL}$  specifications in the *Electrical Characteristics*.

Figure 8 shows an alternate method of connecting several MAX525s. In this configuration, the data bus is common to all devices; data is not shifted through a daisy chain. More I/O lines are required in this configuration because a dedicated chip-select input (CS) is required for each IC.

# Low-Power, Quad, 12-Bit Voltage-Output DAC with Serial Interface

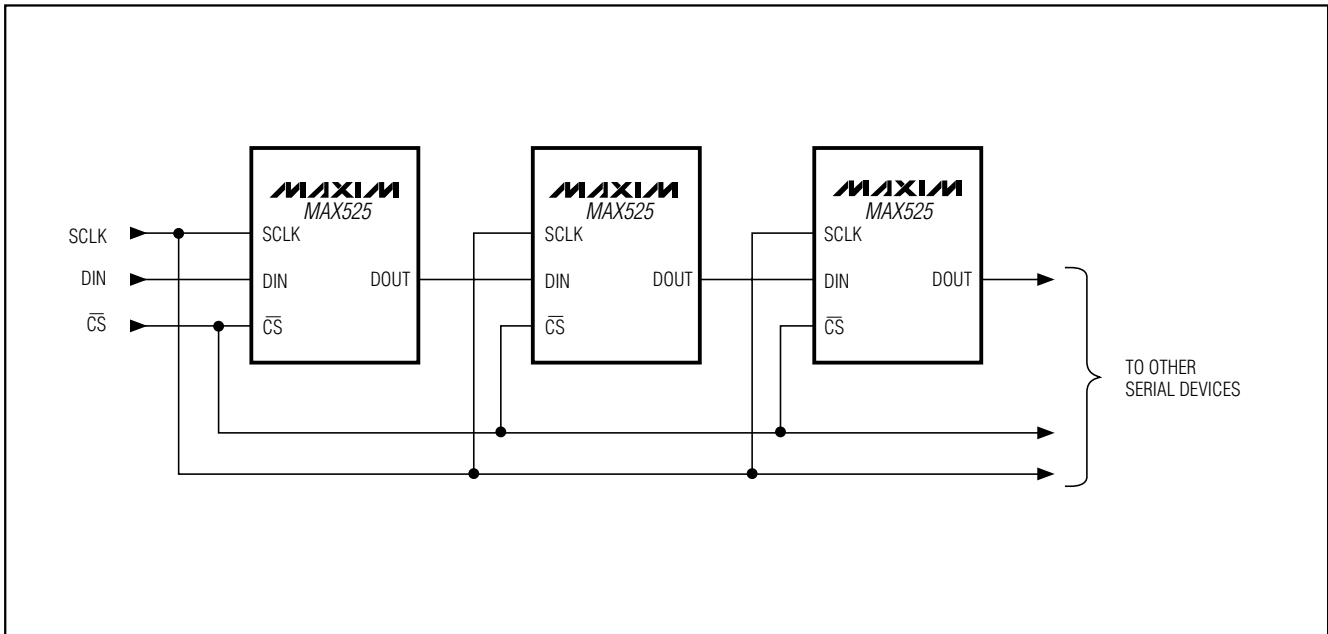


Figure 7. Daisy-Chaining MAX525s

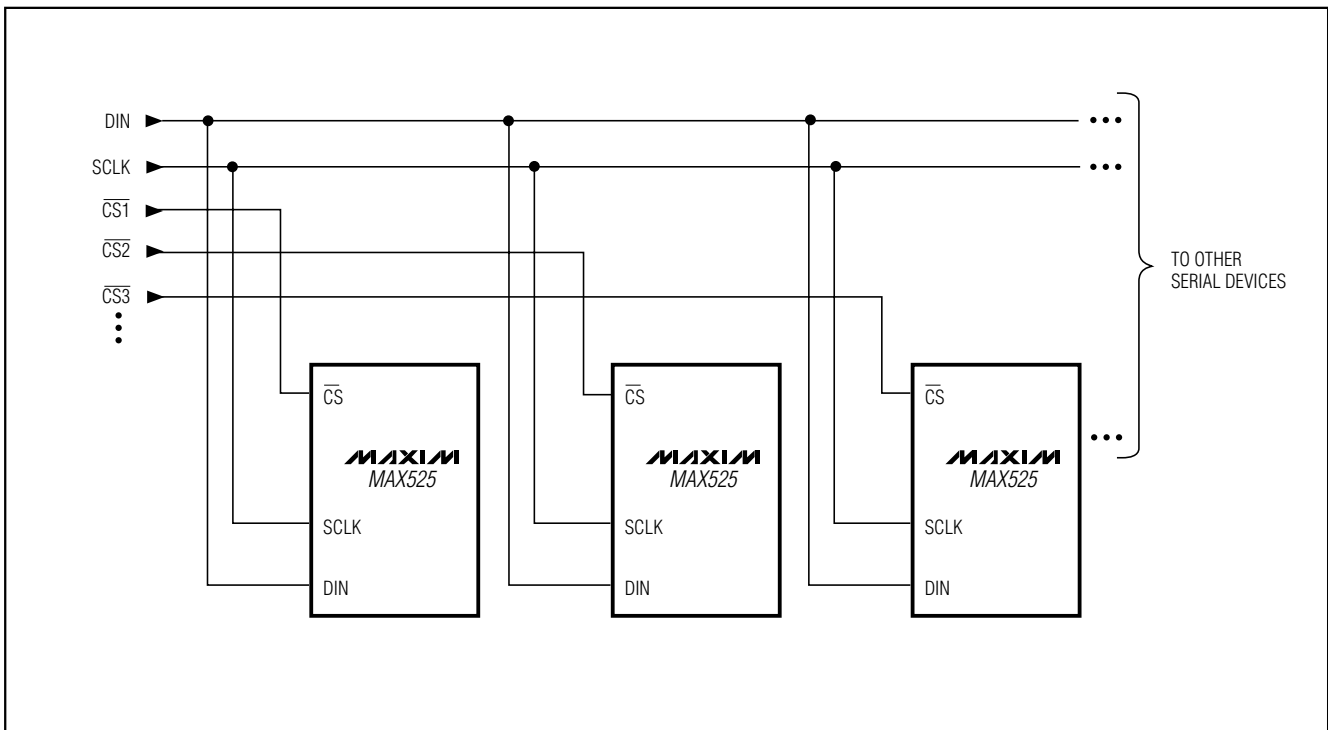


Figure 8. Multiple MAX525s Sharing a Common DIN Line

# Low-Power, Quad, 12-Bit Voltage-Output DAC with Serial Interface

## Applications Information

### Unipolar Output

For a unipolar output, the output voltages and the reference inputs have the same polarity. Figure 9 shows the MAX525 unipolar output circuit, which is also the typical operating circuit. Table 2 lists the unipolar output codes.

For rail-to-rail outputs, see Figure 10. This circuit shows the MAX525 with the output amplifiers configured with a closed-loop gain of +2 to provide 0V to 5V full-scale range when a 2.5V reference is used.

**Table 2. Unipolar Code Table**

| DAC CONTENTS |      | ANALOG OUTPUT  |
|--------------|------|--|
| MSB          | LSB  |  |
| 1111         | 1111 | $+V_{REF} \left( \frac{4095}{4096} \right)$                      |
| 1000         | 0000 | $+V_{REF} \left( \frac{2049}{4096} \right)$                      |
| 1000         | 0000 | $+V_{REF} \left( \frac{2048}{4096} \right) = \frac{+V_{REF}}{2}$ |
| 0111         | 1111 | $+V_{REF} \left( \frac{2047}{4096} \right)$                      |
| 0000         | 0000 | $+V_{REF} \left( \frac{1}{4096} \right)$                         |
| 0000         | 0000 | 0V   |

**Table 3. Bipolar Code Table**

| DAC CONTENTS |      | ANALOG OUTPUT  |
|--------------|------|--|
| MSB          | LSB  |  |
| 1111         | 1111 | $+V_{REF} \left( \frac{2047}{2048} \right)$            |
| 1000         | 0000 | $+V_{REF} \left( \frac{1}{2048} \right)$               |
| 1000         | 0000 | 0V   |
| 0111         | 1111 | $-V_{REF} \left( \frac{1}{2048} \right)$               |
| 0000         | 0000 | $-V_{REF} \left( \frac{2047}{2048} \right)$            |
| 0000         | 0000 | $-V_{REF} \left( \frac{2048}{2048} \right) = -V_{REF}$ |

**Note:** 1LSB =  $(V_{REF}) \left( \frac{1}{4096} \right)$

### Bipolar Output

The MAX525 outputs can be configured for bipolar operation using Figure 11's circuit.

$$V_{OUT} = V_{REF} [(2NB / 4096) - 1]$$

where NB is the numeric value of the DAC's binary input code. Table 3 shows digital codes (offset binary) and corresponding output voltages for Figure 11's circuit.

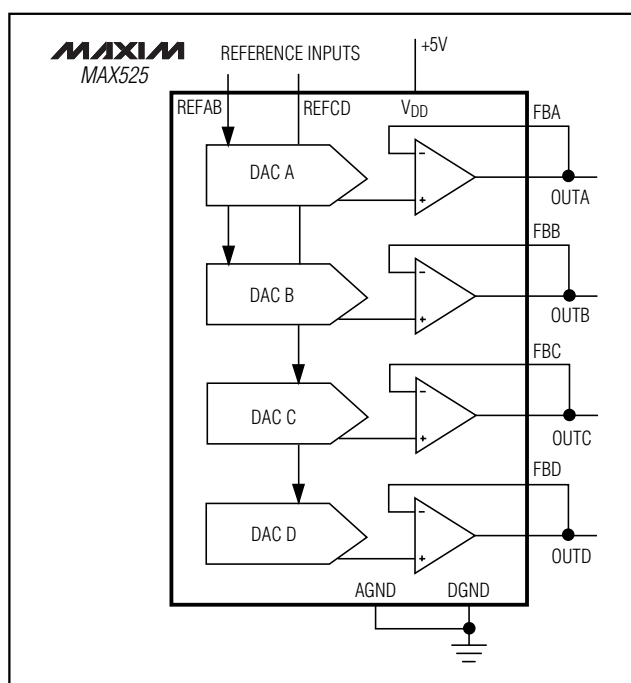


Figure 9. Unipolar Output Circuit

# Low-Power, Quad, 12-Bit Voltage-Output DAC with Serial Interface

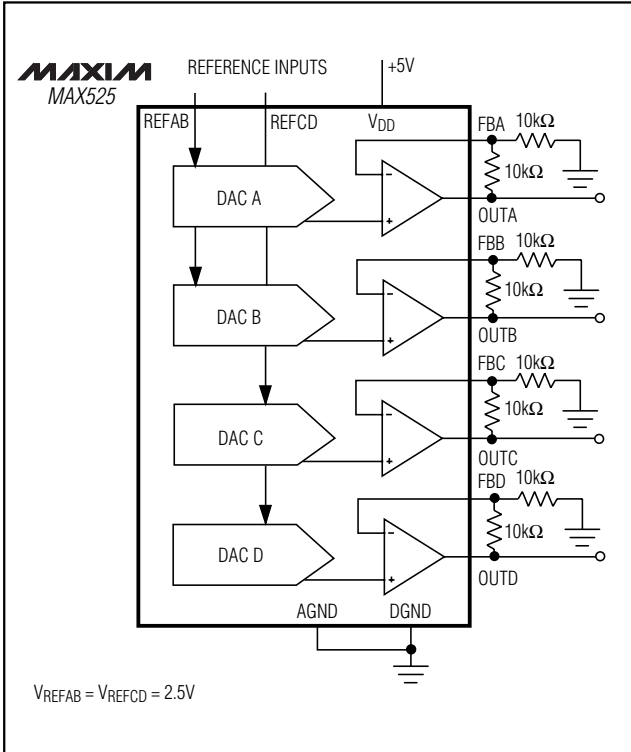


Figure 10. Unipolar Rail-to-Rail Output Circuit

### Using an AC Reference

In applications where the reference has AC signal components, the MAX525 has multiplying capability within the reference input range specifications. Figure 12 shows a technique for applying a sine-wave signal to the reference input where the AC signal is offset before being applied to REFAB/REFCD. The reference voltage must never be more negative than DGND.

The MAX525's total harmonic distortion plus noise (THD + N) is typically less than -72dB, given a 1Vp-p signal swing and input frequencies up to 25kHz. The typical -3dB frequency is 650kHz, as shown in the *Typical Operating Characteristics* graphs.

### Digitally Programmable Current Source

The circuit of Figure 13 places an NPN transistor (2N3904 or similar) within the op-amp feedback loop to implement a digitally programmable, unidirectional current source. This circuit can be used to drive 4mA to 20mA current loops, which are commonly used in industrial-control applications. The output current is calculated with the following equation:

$$I_{OUT} = (V_{REF} / R) \times (NB / 4096)$$

where NB is the numeric value of the DAC's binary input code and R is the sense resistor shown in Figure 13.

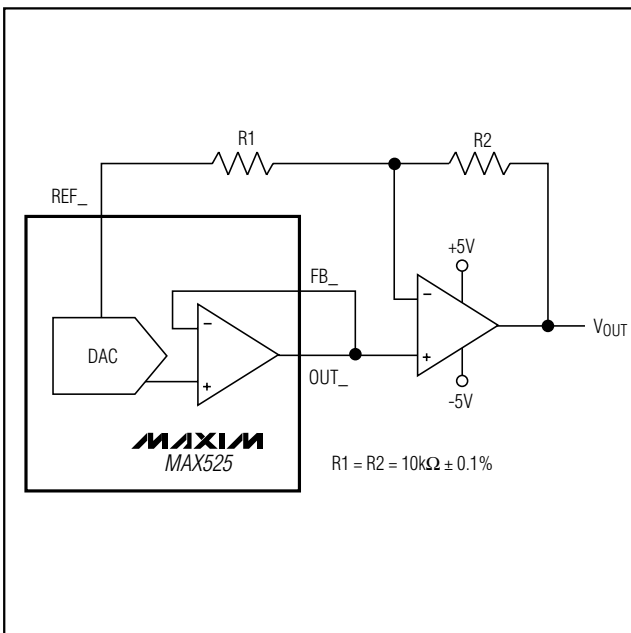


Figure 11. Bipolar Output Circuit

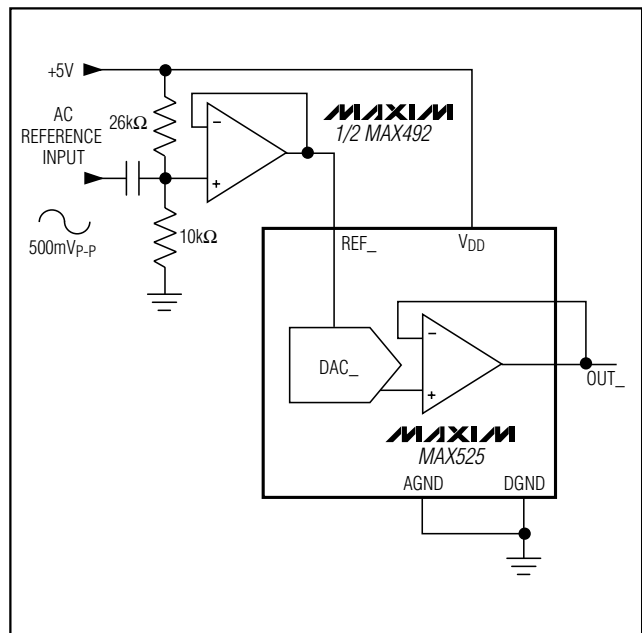


Figure 12. AC Reference Input Circuit

# Low-Power, Quad, 12-Bit Voltage-Output DAC with Serial Interface

**MAX525**

## Pin Configuration

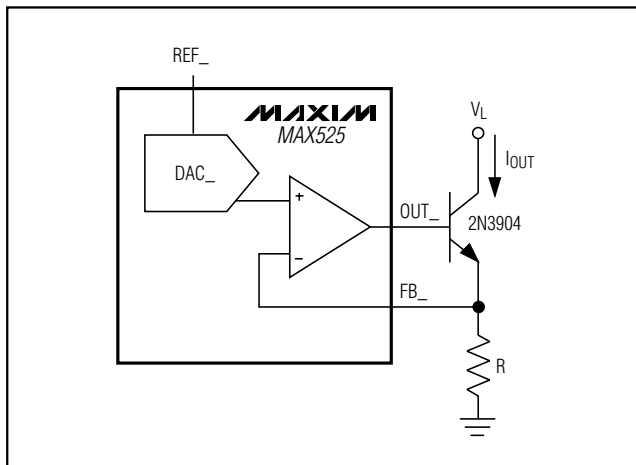


Figure 13. Digitally Programmable Current Source

### Power-Supply Considerations

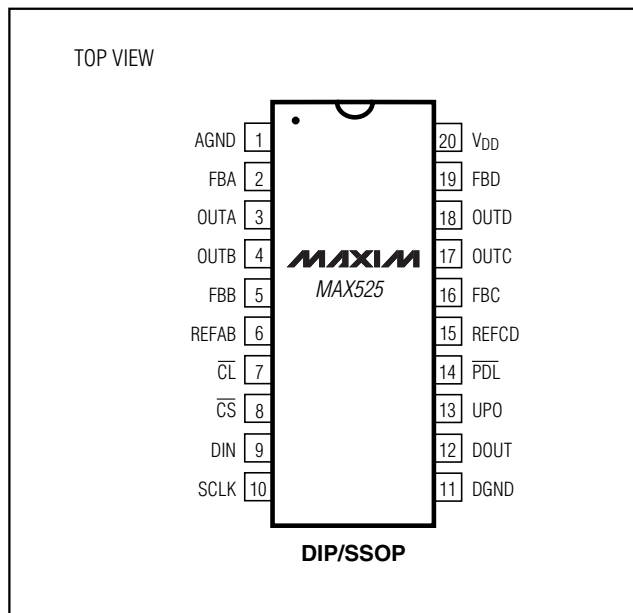
On power-up, all input and DAC registers are cleared (set to zero code) and DOUT is in Mode 0 (serial data is shifted out of DOUT on the clock's falling edge).

For rated MAX525 performance, limit REFAB/REFCD to less than 1.4V below  $V_{DD}$ . Bypass  $V_{DD}$  with a  $4.7\mu\text{F}$  capacitor in parallel with a  $0.1\mu\text{F}$  capacitor to AGND. Use short lead lengths and place the bypass capacitors as close to the supply pins as possible.

### Grounding and Layout Considerations

Digital or AC transient signals between AGND and DGND can create noise at the analog outputs. Tie AGND and DGND together at the DAC, then tie this point to the highest-quality ground available.

Good printed circuit board ground layout minimizes crosstalk between DAC outputs, reference inputs, and digital inputs. Reduce crosstalk by keeping analog lines away from digital lines. Wire-wrapped boards are not recommended.



# Low-Power, Quad, 12-Bit Voltage-Output DAC with Serial Interface

## Ordering Information (continued)

| PART       | TEMP RANGE      | PIN-PACKAGE    | INL (LSBs) |
|------------|-----------------|----------------|------------|
| MAX525BC/D | 0°C to +70°C    | Dice*          | ±1         |
| MAX525AEPP | -40°C to +85°C  | 20 Plastic DIP | ±1/2       |
| MAX525BEPP | -40°C to +85°C  | 20 Plastic DIP | ±1         |
| MAX525AEAP | -40°C to +85°C  | 20 SSOP        | ±1/2       |
| MAX525BEAP | -40°C to +85°C  | 20 SSOP        | ±1         |
| MAX525AMJP | -55°C to +125°C | 20 CERDIP**    | ±1/2       |
| MAX525BMJP | -55°C to +125°C | 20 CERDIP**    | ±1         |

\* Dice are specified at  $T_A = +25^\circ\text{C}$ , DC parameters only.  
 \*\*Contact factory for availability and processing to MIL-STD-883.

## Chip Information

TRANSISTOR COUNT: 4337

## Package Information

(The package drawing(s) in this data sheet may not reflect the most current specifications. For the latest package outline information go to [www.maxim-ic.com/packages](http://www.maxim-ic.com/packages).)

**SSOP  
SHRINK  
SMALL-OUTLINE  
PACKAGE**

| DIM      | INCHES         |       | MILLIMETERS |      |
|----------|----------------|-------|-------------|------|
|          | MIN            | MAX   | MIN         | MAX  |
| A        | 0.068          | 0.078 | 1.73        | 1.99 |
| A1       | 0.002          | 0.008 | 0.05        | 0.21 |
| B        | 0.010          | 0.015 | 0.25        | 0.38 |
| C        | 0.004          | 0.008 | 0.09        | 0.20 |
| D        | SEE VARIATIONS |       |             |      |
| E        | 0.205          | 0.209 | 5.20        | 5.38 |
| e        | 0.0256 BSC     |       | 0.65 BSC    |      |
| H        | 0.301          | 0.311 | 7.65        | 7.90 |
| L        | 0.025          | 0.037 | 0.63        | 0.95 |
| $\alpha$ | 0°             | 8°    | 0°          | 8°   |

| DIM | PINS | INCHES |       | MILLIMETERS |       |
|-----|------|--------|-------|-------------|-------|
|     |      | MIN    | MAX   | MIN         | MAX   |
| D   | 14   | 0.239  | 0.249 | 6.07        | 6.33  |
| D   | 16   | 0.239  | 0.249 | 6.07        | 6.33  |
| D   | 20   | 0.278  | 0.289 | 7.07        | 7.33  |
| D   | 24   | 0.317  | 0.328 | 8.07        | 8.33  |
| D   | 28   | 0.397  | 0.407 | 10.07       | 10.33 |

21-0056A

Maxim cannot assume responsibility for use of any circuitry other than circuitry entirely embodied in a Maxim product. No circuit patent licenses are implied. Maxim reserves the right to change the circuitry and specifications without notice at any time.

16 **Maxim Integrated Products, 120 San Gabriel Drive, Sunnyvale, CA 94086 408-737-7600**