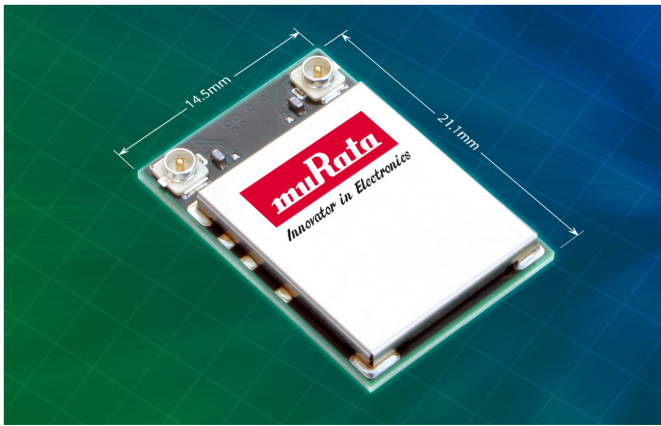


Wi-Fi® 802.11 a/b/g/n Wireless Connectivity Module

Model: SN1857



The SN1857 provides 2.4 and 5 GHz WLAN plus Bluetooth and NFC functionality in a small, FCC/IC certified and ETSI compliant module. The SN1857 is based on TI's WL1857 SOC.

The module features optimized RF performance including a high-efficiency RF front end circuit, a stable 26 MHz internal reference clock and U.FL coaxial RF connectors. The module is designed to fit into small spaces, and requires a minimum of external components to operate. Software drivers are available for Linux and Android operating systems.

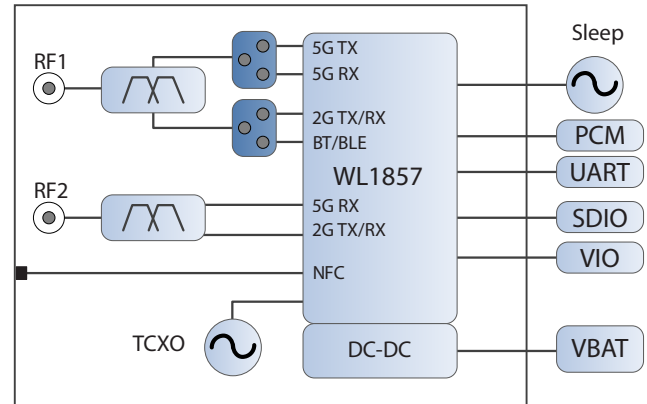
Features

- IEEE 802.11a/b/g/n compliant
- 2.4 GHz MIMO 2T/2R support
- 5 GHz MISO 1T/2R support
- SISO 40 MHz bandwidth support
- WiFi Direct, Soft AP and Multi-role support
- 4-bit SDIO WLAN host interface
- Bluetooth 4.0 with Bluetooth Low Energy
- NFC card and reader functions
- Industrial temperature range operation
- Low current consumption in all operating modes
- Extremely low current sleep mode
- Miniature 62 terminal LGA package, 21.1 x 14.5 x 2.3 mm nominal dimensions
- Open source compliant Wi-Fi and Bluetooth software drivers
- Optional ANT support
- No production calibration required

Note: Information in this brief is subject to change without notice.

E-mail: modules@murata.com

Block Diagram



WLAN Specifications

- IEEE 802.11a/b/g/n compliant
- Operating Frequency Range: 2.412 to 2.472 GHz and 5.180 to 5.825 GHz
- Data Rates
 - 802.11a/g: 54, 48, 36, 24, 18, 12, 9, 6 Mbps
 - 802.11b: 11, 5.5, 2, 1 Mbps
 - 802.11n: 65, 58.5, 52, 39, 26, 19.5, 13, 6.5 Mbps
- Transmit Power
 - 802.11b, 11Mbps +15 dBm
 - 802.11g, 54 Mbps: +12 dBm
 - 802.11n, 65 Mbps: +11 dBm
- Receive Sensitivity
 - 802.11b, 11 Mbps: -84 dBm
 - 802.11g, 54 Mbps: -72 dBm
 - 802.11n, 65 Mbps: -70 dBm
- Supply Current:
 - Transmit: 11Mbps 408mA, 54Mbps 324mA
 - Receive: 57mA

Security

- Hardware-based encryption/decryption for 64-, 128- and 256-bit WEP, TKIP and AES keys
- IEEE 802.11 d/e/h/i/k/r PICS compliant
- WEP, TKIP, WPA & WPA2, AES/CCMP per 802.11i



www.murata-ws.com/sn1857.htm

Bluetooth Specifications

- Bluetooth V4.0 with BLE
- Power Class 1.5
- Operating Frequency Range: 2.4000 to 2.4835 GHz
- Data Rates: 1, 2, 3 Mbps
- High Rate UART 4-wire HCI (H4)
- Transmit Power: TBD
- Receive Sensitivity
DH5, 1 Mbps: TBD
EDR, 3 Mbps: TBD
- Transmit/Receive Supply Current: TBD (DH1)

Standard Host Processors

- AM335x/OMAP5 running Linux or Android

Environmental

- VBAT Input: 3.6 V nominal
- VIO Input: 1.8 V nominal
- Operating Temperature Range: -40 to +85°C
- RoHS Compliant

Interfaces

- WLAN: SDIO
- BT: UART, PCM
- NFC: UART

Mechanical Dimensions

