

# WYSBMVGX4 : Dual Band Wireless LAN Module

# Wireless Modules

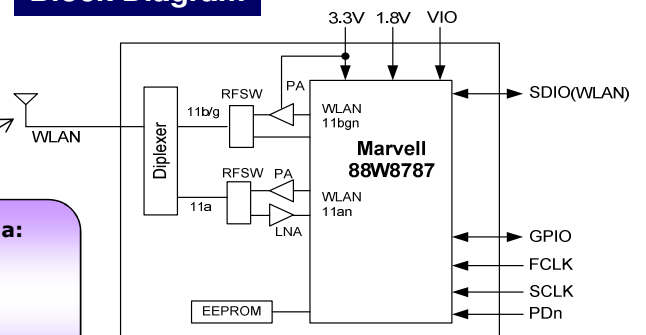
## Key Features

### 802.11a/b/g/n

- IEEE802.11a/b/g/n standard conformity
- Low standby current (with advanced power save and sleep mode)
- Transmit speed : 11/5.5/2/1 Mbps(11b), 54/48/36/24/18/12/9/6 Mbps(11a/g), 150~6.5 Mbps (11n)
- Channel Number : 1 to 13 channel (11bg), W52/W53/W56(11a)
- Interface : SDIO
- Multi Clock support: 26, 38.4 MHz
- Built-in EEPROM, Diplexer, 2G-PA, 5G-PA, 5G-LNA
- Security : WEP (64/128), TKIP, AES, WPA/WPA2, WAPI
- Small Outline : 13.1 x 6.1 x 1.35(Max) mm
- Package: Metal case package
- Utilizes 88W8787 IC
- RoHS Conformity

## Block Diagram

Sep-28-2011  
Ver1.0



**Recommended Antenna:**  
**AH104N2450D1-T**  
**2.4/5GHz Dual Band**

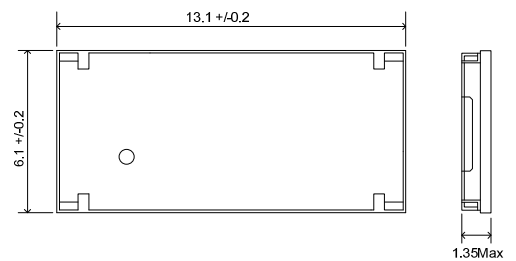


10x4x1.0mm

## General Electrical Specification

Parameter	Description	Min.	Typ.	Max.	Units
Operation Voltage	Core_3.3V	3.2	3.3	4.3	V
	Core_1.8V	1.71	1.8	1.89	V
	VIO	1.62/2.97	1.8/3.3	1.98/3.63	V
TX Output Power (11b/g/n) (11a)	2G:11b/11g/11n-MCS7-40M		16/15/14		dBm
	5G:11a/11n-MCS7-40M		14/13		
RX Sensitivity (11b/g/n) (11a)	2G:11b/11g/11n-MCS7-40M		-87/-74/-67	-84/-71/-64	dBm
	5G:11a/11n-MCS7-40M		-75/-70	-72/-67	
TX Power Consumption	11b/11M (Duty45%)		520		mW
RX Power Consumption	11n/MCS7-HT40		242		mW
Power Consumption	Deep Sleep Mode VIO3.3V/VIO1.8V		3.0 / 0.81		mW
General Operation Temperature Range		-20	25	70	deg-C

## Outline



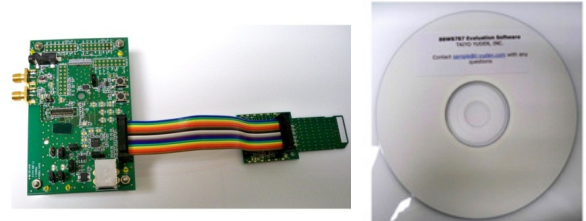
Unit: mm

**To Evaluate WLAN Module WYSBMVGX4,  
You Will Need WKSXXVXXX-1 and WBSBMVGX4**

**WKSXXVXXX-1** is the Wireless Interface Board to be connected with RF Daughter Card **WBSBMVGX4**.

**WBSBMVGX4** is the RF Daughter Card that includes WLAN Module **WYSBMVGX4**. You will need these 2 items to evaluate WLAN module **WYSBMVGX4**.

1 WKSXXVXXX-1 includes Software CD



2 WBSBMVGX4



No	Item	Description	Qty
1	WKSXXVXXX-1	Wireless Interface Board (WIB) with SDIO interface (and connector to RF Daughter Card)	1
		Evaluation Software CD	1
2	WBSBMVGX4	RF Daughter Card includes WLAN Module WYSBMVGX4 (and connector to Wireless Interface Board)	1