

## Key Features 802.11b/g/n & Bluetooth

- ◆ IEEE802.11b/g/n standard conformity, BT3.0,2.1+EDR
- ◆ Low standby current (with advanced power save and sleep mode)
- ◆ Transmit speed : 11/5.5/2/1 Mbps(11b), 54/48/36/24/18/12/9/6 Mbps(11g), 150~6.5 Mbps (11n)
- ◆ Channel Number : 1 to 13 channel (11bg), 79 channel (BT)
- ◆ Interface : SDIO
- ◆ Built-in EEPROM, 2G-PA, Crystal, BPF
- ◆ Security: WEP (64/128), TKIP, AES, WPA/WPA2, WAPI
- ◆ Small Outline: 9.0 x 8.8 x 1.35(Max) mm
- ◆ Package: Metal case package
- ◆ Utilizes 88W8787 IC
- ◆ RoHS Conformity

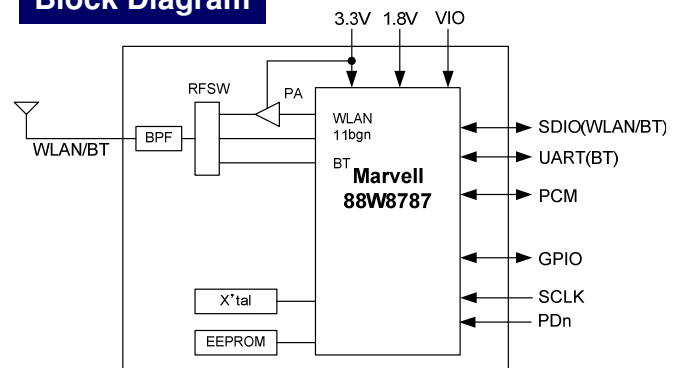
## Application

- ◆ Hand Held Device

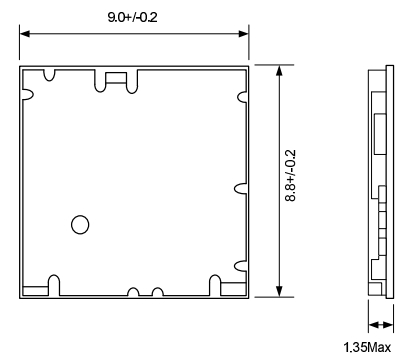
## General Electrical Specification

Parameter	Description	Min.	Typ.	Max.	Units
Operation Voltage	Core_3.3V	3.0	3.3	3.6	V
	Core_1.8V	1.71	1.8	1.89	V
	VIO	1.62/2.97	1.8/3.3	1.98/3.63	V
TX Output Power (11b/g/n) (BT BR)	11b/11g/11n		15/12/11		dBm
	BT		5		
RX Sensitivity (11b/g/n) (BT BR)	11b/11g/11n		-86/-72/-66		dBm
	BT		-86	-76/-65/-61	
TX Power Consumption	11b/11M (Duty43.4%)		395		mW
RX Power Consumption	11n/MCS7-HT40		260		mW
Power Consumption	Deep Sleep Mode VIO3.3V/VIO1.8V		2.3 / 0.7		mW
General Operation Temperature Range		-10	25	70	deg-C

## Block Diagram



## Outline



Unit: mm

Note: The *Bluetooth*® word mark and logos are owned by the *Bluetooth* SIG, Inc. and any use of such marks by TAIYO YUDEN CO.,LTD. is under license.

1

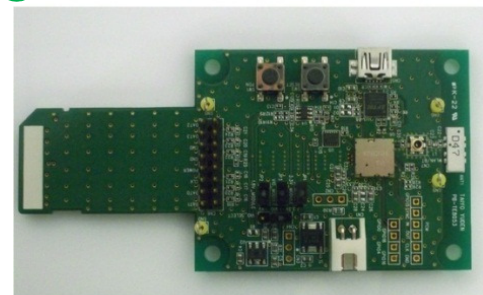
**To Evaluate WLAN Module WYSBCVGXA,  
You Will Need WBSBCVGXA-1**

**WBSBCVGXA-1** is the evaluation kit for WLAN Module **WYSBCVGXA**. This kit has everything you need to evaluate the performance of this module.

**WBSBCVGXA-1 Kit includes:**

No.	Item	Description	Qty
1	WBSBCVGXA-1	Evaluation Board for WLAN module WYSBCVGXA with SDIO interface	1
2	Red & Blue Cable	Power Supply Cable	1
3	CD	Evaluation Software	1

1 WBSBCVGXA-1



2 Red & Blue Cable



3 CD

