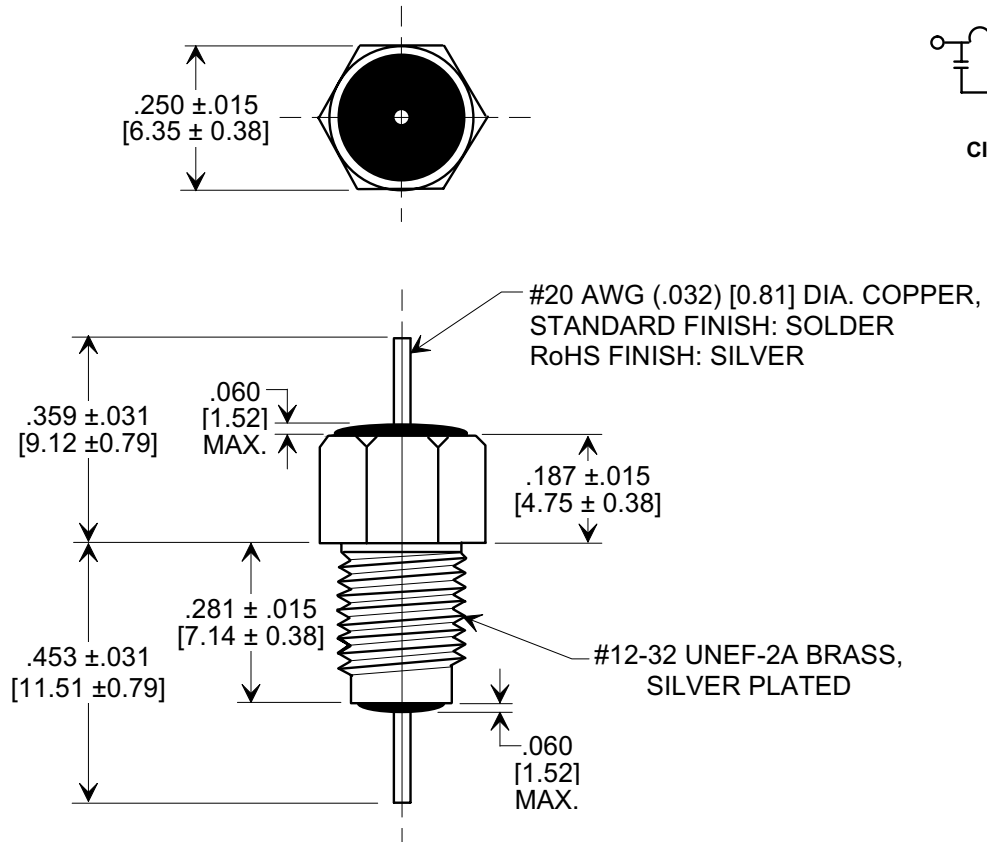
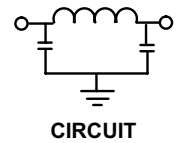
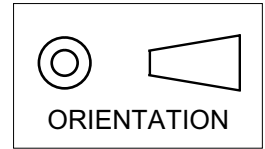


MARKETING SALES DRAWING
DIMENSIONS IN INCHES - DO NOT SCALE THIS DRAWING
DIMENSIONS IN METRIC - []

Electrical Testing
per Tusonix standard
test plans and Mil-Std-202
Test Methods.



NOTES:

- SUPPLIED WITH SILVER PLATED HEX NUT AND LOCK WASHER.
- TUSONIX STANDARD PART NUMBER: 4202-050.
TUSONIX RoHS COMPLIANT PART NUMBER: 4202-050 LF.
CUSTOMER MUST SPECIFY STANDARD OR RoHS PART NUMBER WHEN ORDERING.
- PART MARKING: TRADEMARK AND VARIATION NUMBER ON HEX FLATS.
STANDARD PART: BLACK INK. RoHS PART: GREEN INK.

| MIN. CAP. (pF) | WORKING VOLTAGE (WVdc) | | CURRENT (Idc) | DWV (VDC) | I.R. MIN. @ 100 VDC | MINIMUM NO LOAD INSERTION LOSS (dB) AT 25°C PER MIL-STD -220 | | | |
|----------------|------------------------|--------|---------------|-----------|---------------------|--|---------|-------|--------|
| | 85°C | 125 °C | | | | 10 MHz | 100 MHz | 1 GHz | 10 GHz |
| 5000 | 200 | 100 | 10 A | 400 | 10 G | 20 | 65 | 70 | 70 |

| | | | | | | |
|----------------------|---|--------------------------------------|-----------------------------------|---|---------------------------------|--|
| X-2015 Rev-0 | REVISION RECORD | | | --TOLERANCES-- Unless Otherwise Specified | Title | |
| | Original Release C.O. 1653 | CURRENT UNIT "A" ADDED. L.E. 8-20-85 | 1 | | BUSHING STYLE EMI FILTER | |
| | RDN TO COMP FMT & ADDED METRIC. 02-12-02 | 2 | Drawn S.M. 02-12-02 | | | |
| | ADDED NOTES 2 & 3. ADDED LEAD & BUSHING FINISH. S.M. 05-19-05 | 3 | Scale 3 X | | | |
| 20050503-6-25 | | | TUSONIX TUCSON, ARIZONA | Approved T.C. 02-12-02 | | |
| | | | | A | 4202-050 | |