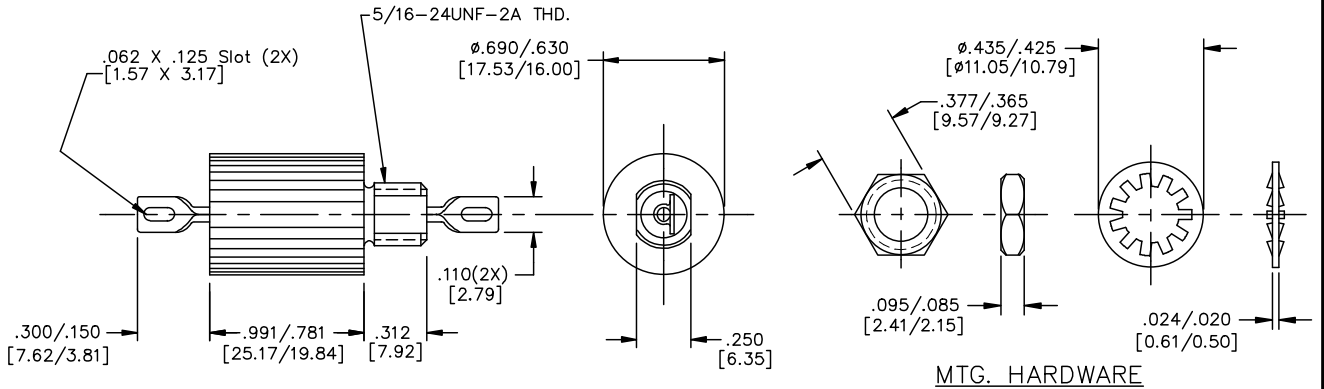


CASE FINISH	CURRENT (AMPS)	WORKING VOLTAGE				MAXIMUM DC RESISTANCE (OHMS)	MAXIMUM VOLTAGE DROP		MINIMUM CAPACITANCE ( $\mu$ F)	MIN. INSERTION LOSS PER MIL-STD-220, FULL LOAD, +25°C												
		-55°C TO +85°C		-55°C TO +125°C			DC	AC		14 KHz	30 KHz	50 KHz	75 KHz	100 KHz	150 KHz	300 KHz	500 KHz	1 MHz	10 MHz	100 MHz	1 GHz	10 GHz
		AC	DC	AC	DC																	
SOLDER	0.5	--	--	230	400	1.0	0.5	--	--	--	--	--	--	22	39	--	70	70	--	70	--	

PART MARKING:  
5E2710/15-0001L  
SCI DATE CODE

PACKAGE MARKING:  
STANDARD

MARKING NOTES:  
N/A



MTG. HARDWARE

NOTES:

- 1) MOUNTING TORQUE NOT TO EXCEED 7in-lbs.
- 2) THIS PART CODED "NCA". API TECHNOLOGIES DOES NOT HAVE CHANGE AUTHORITY. CUSTOMER APPROVAL REQUIRED BEFORE PRODUCT/PROCESS CHANGES CAN BE MADE.

			4	3	2	1	REV. NO.	UNLESS OTHERWISE SPECIFIED DIMENSIONS ARE IN INCHES. [MILLIMETERS] DO NOT SCALE.	TOLERANCES UNLESS OTHERWISE SPECIFIED Fractions $\pm$ Dec. $.xx \pm$ Dec. $.xxx \pm .010$ Angles $\pm 0^\circ 30'$ CODE IDENT. NO. DLSP2	api technologies corp. FAIRVIEW PENNSYLVANIA	Description Low Pass EMI Filter	
			CN 64310-ENG	CN 193551	CN 188454	CN. 183594	CHANGE NOTICE					
							Engr. McALEVY					Sheet 1 of 1

Quality Products From The Specialists In Electro-Magnetic Compatibility