



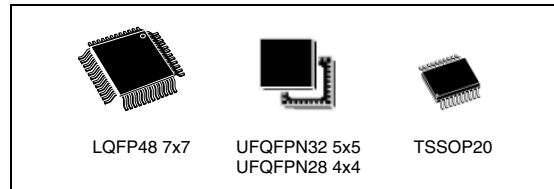
STM32F050x4 STM32F050x6

Low- and medium-density advanced ARM™-based 32-bit MCU with up to 32 Kbytes Flash, timers, ADC and comm. interfaces

Datasheet – production data

Features

- Core: ARM 32-bit Cortex™-M0 CPU, frequency up to 48 MHz
- Memories
 - 16 to 32 Kbytes of Flash memory
 - 4 Kbytes of SRAM with HW parity checking
- CRC calculation unit
- Reset and supply management
 - Voltage range: 2.0 V to 3.6 V
 - Power-on/Power-down reset (POR/PDR)
 - Programmable voltage detector (PVD)
 - Low power modes: Sleep, Stop and Standby
 - V_{BAT} supply for RTC and backup registers
- Clock management
 - 4 to 32 MHz crystal oscillator
 - 32 kHz oscillator for RTC with calibration
 - Internal 8 MHz RC with x6 PLL option
 - Internal 40 kHz RC oscillator
- Up to 39 fast I/Os
 - All mappable on external interrupt vectors
 - Up to 25 I/Os with 5 V tolerant capability
- 5-channel DMA controller
- 1 x 12-bit, 1.0 μs ADC (up to 10 channels)
 - Conversion range: 0 to 3.6V
 - Separate analog supply from 2.4 up to 3.6 V
- Up to 9 timers
 - 1 x 16-bit 7-channel advanced-control timer for 6 channels PWM output, with deadtime generation and emergency stop
 - 1 x 32-bit and 1 x 16-bit timer, with up to 4 IC/OC, usable for IR control decoding
 - 1 x 16-bit timer, with 2 IC/OC, 1 OCN, deadtime generation and emergency stop
 - 1 x 16-bit timer, with IC/OC and OCN, deadtime generation, emergency stop and modulator gate for IR control



- 1 x 16-bit timer with 1 IC/OC
- Independent and system watchdog timers
- SysTick timer: 24-bit downcounter
- Calendar RTC with alarm and periodic wakeup from Stop/Standby
- Communication interfaces
 - 1 x I²C interface; supporting Fast Mode Plus (1 Mbit/s) with 20 mA current sink, SMBus/PMBus, and wakeup from STOP
 - 1 x USART supporting master synchronous SPI and modem control; one with ISO7816 interface, LIN, IrDA capability auto baud rate detection and wakeup feature
 - 1 x SPI (18 Mbit/s) with 4 to 16 programmable bit frames, with I²S interface multiplexed
- Serial wire debug (SWD)
- 96-bit unique ID
- Extended temperature range: -40 to +105°C

Table 1. Device summary

Reference	Part number
STM32F050x4	STM32F050F4, STM32F050G4, STM32F050K4, STM32F050C4
STM32F050x6	STM32F050F6, STM32F050G6, STM32F050K6, STM32F050C6

Contents

1	Introduction	8
2	Description	9
3	Functional overview	12
3.1	ARM® CortexTM-M0 core with embedded Flash and SRAM	12
3.2	Memories	12
3.3	Boot modes	12
3.4	Cyclic redundancy check calculation unit (CRC)	13
3.5	Power management	13
3.5.1	Power supply schemes	13
3.5.2	Power supply supervisors	13
3.5.3	Voltage regulator	14
3.5.4	Low-power modes	14
3.6	Clocks and startup	15
3.7	General-purpose inputs/outputs (GPIOs)	16
3.8	Direct memory access controller (DMA)	16
3.9	Interrupts and events	16
3.9.1	Nested vectored interrupt controller (NVIC)	16
3.9.2	Extended interrupt/event controller (EXTI)	16
3.10	Analog to digital converter (ADC)	17
3.10.1	Temperature sensor	17
3.10.2	Internal voltage reference (V_{REFINT})	17
3.11	Timers and watchdogs	18
3.11.1	Advanced-control timer (TIM1)	18
3.11.2	General-purpose timers (TIM2..3, TIM14..17)	18
3.11.3	Independent watchdog (IWDG)	19
3.11.4	System window watchdog (WWDG)	19
3.11.5	SysTick timer	20
3.12	Real-time clock (RTC) and backup registers	20
3.13	Inter-integrated circuit interface (I ² C)	21
3.14	Universal synchronous/asynchronous receiver transmitter (USART) ...	21
3.15	Serial peripheral interface (SPI)/Inter-integrated sound interfaces (I ² S) .	22

3.16	Serial wire debug port (SW-DP)	22
4	Pinouts and pin description	23
5	Memory mapping	32
6	Electrical characteristics	35
6.1	Parameter conditions	35
6.1.1	Minimum and maximum values	35
6.1.2	Typical values	35
6.1.3	Typical curves	35
6.1.4	Loading capacitor	35
6.1.5	Pin input voltage	35
6.1.6	Power supply scheme	36
6.1.7	Current consumption measurement	36
6.2	Absolute maximum ratings	37
6.3	Operating conditions	39
6.3.1	General operating conditions	39
6.3.2	Operating conditions at power-up / power-down	40
6.3.3	Embedded reset and power control block characteristics	40
6.3.4	Embedded reference voltage	41
6.3.5	Supply current characteristics	42
6.3.6	External clock source characteristics	52
6.3.7	Internal clock source characteristics	57
6.3.8	PLL characteristics	60
6.3.9	Memory characteristics	61
6.3.10	EMC characteristics	61
6.3.11	Electrical sensitivity characteristics	63
6.3.12	I/O current injection characteristics	63
6.3.13	I/O port characteristics	65
6.3.14	NRST pin characteristics	71
6.3.15	12-bit ADC characteristics	72
6.3.16	Temperature sensor characteristics	75
6.3.17	V _{BAT} monitoring characteristics	75
6.3.18	Timer characteristics	75
6.3.19	Communication interfaces	77

7	Package characteristics	84
	7.1 Package mechanical data	84
	7.2 Thermal characteristics	93
	7.2.1 Reference document	93
	7.2.2 Selecting the product temperature range	93
8	Part numbering	95
9	Revision history	96

List of tables

Table 1.	Device summary	1
Table 2.	STM32F050xx family device features and peripheral counts	10
Table 3.	Temperature sensor calibration values	17
Table 4.	Temperature sensor calibration values	17
Table 5.	Timer feature comparison	18
Table 6.	Comparison of I2C analog and digital filters	21
Table 7.	Legend/abbreviations used in the pinout table	25
Table 8.	Pin definitions	26
Table 9.	Alternate functions selected through GPIOA_AFR registers for port A	30
Table 10.	Alternate functions selected through GPIOB_AFR registers for port B	31
Table 11.	STM32F050x peripheral register boundary addresses	33
Table 12.	Voltage characteristics	37
Table 13.	Current characteristics	37
Table 14.	Thermal characteristics	38
Table 15.	General operating conditions	39
Table 16.	Operating conditions at power-up / power-down	40
Table 17.	Embedded reset and power control block characteristics	40
Table 18.	Programmable voltage detector characteristics	40
Table 19.	Embedded internal reference voltage	41
Table 20.	Typical and maximum current consumption from V_{DD} supply at $V_{DD} = 3.6$	43
Table 21.	Typical and maximum current consumption from the V_{DDA} supply	44
Table 22.	Typical and maximum V_{DD} consumption in Stop and Standby modes	45
Table 23.	Typical and maximum V_{DDA} consumption in Stop and Standby modes	45
Table 24.	Typical and maximum current consumption from V_{BAT} supply	46
Table 25.	Typical current consumption in Run mode, code with data processing running from Flash	47
Table 26.	Typical current consumption in Sleep mode, code running from Flash or RAM	48
Table 27.	Switching output I/O current consumption	50
Table 28.	Peripheral current consumption	51
Table 29.	High-speed external user clock characteristics	52
Table 30.	Low-speed external user clock characteristics	53
Table 31.	HSE oscillator characteristics	54
Table 32.	LSE oscillator characteristics ($f_{LSE} = 32.768$ kHz)	55
Table 33.	HSI oscillator characteristics	57
Table 34.	HSI14 oscillator characteristics	58
Table 35.	LSI oscillator characteristics	59
Table 36.	Low-power mode wakeup timings	59
Table 37.	PLL characteristics	60
Table 38.	Flash memory characteristics	61
Table 39.	Flash memory endurance and data retention	61
Table 40.	EMS characteristics	62
Table 41.	EMI characteristics	62
Table 42.	ESD absolute maximum ratings	63
Table 43.	Electrical sensitivities	63
Table 44.	I/O current injection susceptibility	64
Table 45.	I/O static characteristics	65
Table 46.	Output voltage characteristics	69
Table 47.	I/O AC characteristics	70

Table 48.	NRST pin characteristics	71
Table 49.	ADC characteristics	72
Table 50.	R_{AIN} max for $f_{ADC} = 14$ MHz.	73
Table 51.	ADC accuracy	73
Table 52.	TS characteristics	75
Table 53.	V_{BAT} monitoring characteristics	75
Table 54.	TIMx characteristics	75
Table 55.	IWDG min/max timeout period at 40 kHz (LSI)	76
Table 56.	WWDG min-max timeout value @48 MHz (PCLK).	76
Table 57.	I ² C characteristics.	77
Table 58.	I2C analog filter characteristics.	78
Table 59.	SPI characteristics	79
Table 60.	I ² S characteristics.	82
Table 61.	LQFP48 – 7 x 7 mm, 48-pin low-profile quad flat package mechanical data	85
Table 62.	UFQFPN32 – 5 x 5 mm, 32-lead ultra thin fine pitch quad flat no-lead package mechanical data.	87
Table 63.	UFQFPN28 – 4 x 4 mm, 28-lead ultra thin fine pitch quad flat no-lead package mechanical data.	89
Table 64.	TSSOP20 – 20-pin thin shrink small outline package mechanical data	91
Table 65.	Package thermal characteristics.	93
Table 66.	Document revision history	96

List of figures

Figure 1.	Block diagram	11
Figure 2.	Clock tree	15
Figure 3.	LQFP48 48-pin package pinout	23
Figure 4.	UFQFPN32 32-pin package pinout	23
Figure 5.	UFQFPN28 28-pin package pinout	24
Figure 6.	TSSOP20 20-pin package pinout	24
Figure 7.	STM32F050xx memory map	32
Figure 8.	Pin loading conditions	35
Figure 9.	Pin input voltage	35
Figure 10.	Power supply scheme	36
Figure 11.	Current consumption measurement scheme	36
Figure 12.	High-speed external clock source AC timing diagram	52
Figure 13.	Low-speed external clock source AC timing diagram	53
Figure 14.	Typical application with an 8 MHz crystal	55
Figure 15.	Typical application with a 32.768 kHz crystal	56
Figure 16.	HSI oscillator accuracy characterization results	57
Figure 17.	HSI14 oscillator accuracy characterization results	58
Figure 18.	TC and TTA I/O input characteristics - CMOS port	67
Figure 19.	TC and TTA I/O input characteristics - TTL port	67
Figure 20.	Five volt tolerant (FT and FTf) I/O input characteristics - CMOS port	68
Figure 21.	Five volt tolerant (FT and FTf) I/O input characteristics - TTL port	68
Figure 22.	I/O AC characteristics definition	71
Figure 23.	Recommended NRST pin protection	71
Figure 24.	ADC accuracy characteristics	74
Figure 25.	Typical connection diagram using the ADC	74
Figure 26.	I ² C bus AC waveforms and measurement circuit	78
Figure 27.	SPI timing diagram - slave mode and CPHA = 0	80
Figure 28.	SPI timing diagram - slave mode and CPHA = 1 ⁽¹⁾	80
Figure 29.	SPI timing diagram - master mode ⁽¹⁾	81
Figure 30.	I2S slave timing diagram (Philips protocol)	83
Figure 31.	I2S master timing diagram (Philips protocol)	83
Figure 32.	LQFP48 - 7 x 7 mm, 48-pin low-profile quad flat package outline	85
Figure 33.	LQFP48 recommended footprint	86
Figure 34.	UFQFPN32 - 5 x 5 mm, 32-lead ultra thin fine pitch quad flat no-lead package outline	87
Figure 35.	UFQFPN32 recommended footprint	88
Figure 36.	UFQFPN28 - 4 x 4 mm, 28-lead ultra thin fine pitch quad flat no-lead package outline	89
Figure 37.	UFQFPN28 recommended footprint	90
Figure 38.	TSSOP20 - 20-pin thin shrink small outline	91
Figure 39.	TSSOP20 recommended footprint	92

1 Introduction

This datasheet provides the ordering information and mechanical device characteristics of the STM32F050x4 and STM32F050x6 microcontrollers, hereafter referred to as STM32F050xx.

This datasheet should be read in conjunction with the STM32F0xxxx reference manual (RM0091). The reference manual is available from the STMicroelectronics website www.st.com.

For information on the ARM Cortex™-M0 core, please refer to the Cortex™-M0 Technical Reference Manual, available from the www.arm.com website at the following address: <http://infocenter.arm.com/help/index.jsp?topic=/com.arm.doc.ddi0432c/index.html>.



2 Description

The STM32F050xx family incorporates the high-performance ARM Cortex™-M0 32-bit RISC core operating at a 48 MHz maximum frequency, high-speed embedded memories (Flash memory up to 32 Kbytes and SRAM up to 4 Kbytes), and an extensive range of enhanced peripherals and I/Os. All devices offer standard communication interfaces (one I²C, one SPI, one I2S, and one USART), one 12-bit ADC, up to five general-purpose 16-bit timers, a 32-bit timer and an advanced-control PWM timer.

The STM32F050xx family operates in the -40 to +85 °C and -40 to +105 °C temperature ranges, from a 2.0 to 3.6 V power supply. A comprehensive set of power-saving modes allows the design of low-power applications.

The STM32F050xx family includes devices in five different packages ranging from 20 pins to 48 pins. Depending on the device chosen, different sets of peripherals are included. An overview of the complete range of peripherals proposed in this family is provided.

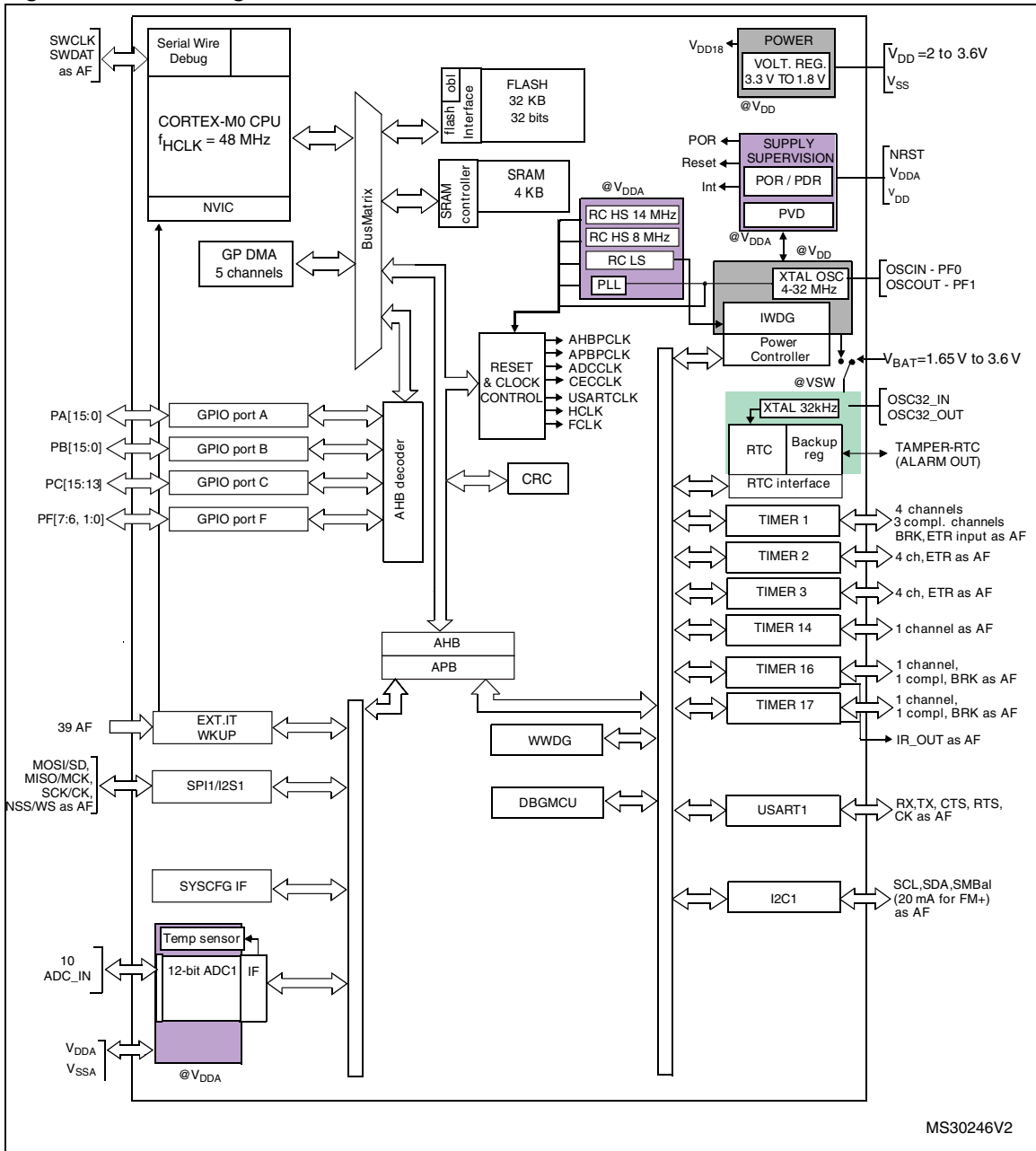
These features make the STM32F050xx microcontroller family suitable for a wide range of applications such as control application and user interfaces, handheld equipment, A/V receivers and digital TV, PC peripherals, gaming and GPS platforms, industrial applications, PLCs, inverters, printers, scanners, alarm systems, video intercoms, and HVACs.

Table 2. STM32F050xx family device features and peripheral counts

Peripheral		STM32F050Fx		STM32F050Gx		STM32F050Kx		STM32F050Cx	
Flash (Kbytes)		16	32	16	32	16	32	16	32
SRAM (Kbytes)		4		4		4		4	
Timers	Advanced control	1 (16-bit)							
	General purpose	4 (16-bit) 1 (32-bit)							
Comm. interfaces	SPI (I2S) ⁽¹⁾	1							
	I ² C	1							
	USART	1							
12-bit synchronized ADC (number of channels)		1 (9 ext. + 3 int.)		1 (10 ext. + 3 int.)					
GPIOs		15		23		27		39	
Max. CPU frequency		48 MHz							
Operating voltage		2.0 to 3.6 V							
Operating temperature		Ambient operating temperature: -40 °C to 85 °C / -40 °C to 105 °C Junction temperature: -40°C to 105°C / -40 °C to 125 °C							
Packages		TSSOP20		UFQFPN28		UFQFPN32		LQFP48	

1. The SPI interface can be used either in SPI mode or in I2S audio mode.

Figure 1. Block diagram



3 Functional overview

3.1 ARM® Cortex™-M0 core with embedded Flash and SRAM

The ARM Cortex™-M0 processor is the latest generation of ARM processors for embedded systems. It has been developed to provide a low-cost platform that meets the needs of MCU implementation, with a reduced pin count and low-power consumption, while delivering outstanding computational performance and an advanced system response to interrupts.

The ARM Cortex™-M0 32-bit RISC processor features exceptional code-efficiency, delivering the high-performance expected from an ARM core in the memory size usually associated with 8- and 16-bit devices.

The STM32F050xx family has an embedded ARM core and is therefore compatible with all ARM tools and software.

Figure 1 shows the general block diagram of the device family.

3.2 Memories

The device has the following features:

- 4 Kbytes of embedded SRAM accessed (read/write) at CPU clock speed with 0 wait states and featuring embedded parity checking with exception generation for fail-critical applications.
- The non-volatile memory is divided into two arrays:
 - 16 to 32 Kbytes of embedded Flash memory for programs and data
 - Option bytes

The option bytes are used to write-protect the memory (with 4 KB granularity) and/or readout-protect the whole memory with the following options:

- Level 0: no readout protection
- Level 1: memory readout protection, the Flash memory cannot be read from or written to if either debug features are connected or boot in RAM is selected
- Level 2: chip readout protection, debug features (Cortex-M0 serial wire) and boot in RAM selection disabled

3.3 Boot modes

At startup, the boot pin and boot selector option bit are used to select one of three boot options:

- Boot from User Flash
- Boot from System Memory
- Boot from embedded SRAM

The boot loader is located in System Memory. It is used to reprogram the Flash memory by using USART1.

3.4 Cyclic redundancy check calculation unit (CRC)

The CRC (cyclic redundancy check) calculation unit is used to get a CRC code from a 32-bit data word and a CRC-32 (Ethernet) polynomial.

Among other applications, CRC-based techniques are used to verify data transmission or storage integrity. In the scope of the EN/IEC 60335-1 standard, they offer a means of verifying the Flash memory integrity. The CRC calculation unit helps compute a signature of the software during runtime, to be compared with a reference signature generated at link-time and stored at a given memory location.

3.5 Power management

3.5.1 Power supply schemes

- $V_{DD} = 2.0$ to 3.6 V: external power supply for I/Os and the internal regulator. Provided externally through V_{DD} pins.
- $V_{DDA} = 2.0$ to 3.6 V: external analog power supply for ADC, Reset blocks, RCs and PLL (minimum voltage to be applied to V_{DDA} is 2.4 V when the ADC is used). The V_{DDA} voltage level must be always greater or equal to the V_{DD} voltage level and must be provided first.
- $V_{BAT} = 1.65$ to 3.6 V: power supply for RTC, external clock 32 kHz oscillator and backup registers (through power switch) when V_{DD} is not present.

3.5.2 Power supply supervisors

The device has integrated power-on reset (POR) and power-down reset (PDR) circuits. They are always active, and ensure proper operation above a threshold of 2 V. The device remains in reset mode when the monitored supply voltage is below a specified threshold, $V_{POR/PDR}$, without the need for an external reset circuit.

- The POR monitors only the V_{DD} supply voltage. During the startup phase it is required that V_{DDA} should arrive first and be greater than or equal to V_{DD} .
- The PDR monitors both the V_{DD} and V_{DDA} supply voltages, however the V_{DDA} power supply supervisor can be disabled (by programming a dedicated Option bit) to reduce the power consumption if the application design ensures that V_{DDA} is higher than or equal to V_{DD} .

The device features an embedded programmable voltage detector (PVD) that monitors the V_{DD} power supply and compares it to the V_{PVD} threshold. An interrupt can be generated when V_{DD} drops below the V_{PVD} threshold and/or when V_{DD} is higher than the V_{PVD} threshold. The interrupt service routine can then generate a warning message and/or put the MCU into a safe state. The PVD is enabled by software.

3.5.3 Voltage regulator

The regulator has three operating modes: main (MR), low power (LPR) and power down.

- MR is used in normal operating mode (Run)
- LPR can be used in Stop mode where the power demand is reduced
- Power down is used in Standby mode: the regulator output is in high impedance: the kernel circuitry is powered down, inducing zero consumption (but the contents of the registers and SRAM are lost)

This regulator is always enabled after reset. It is disabled in Standby mode, providing high impedance output.

3.5.4 Low-power modes

The STM32F050xx family supports three low-power modes to achieve the best compromise between low power consumption, short startup time and available wakeup sources:

- **Sleep mode**

In Sleep mode, only the CPU is stopped. All peripherals continue to operate and can wake up the CPU when an interrupt/event occurs.

- **Stop mode**

Stop mode achieves very low power consumption while retaining the content of SRAM and registers. All clocks in the 1.8 V domain are stopped, the PLL, the HSI RC and the HSE crystal oscillators are disabled. The voltage regulator can also be put either in normal or in low power mode.

The device can be woken up from Stop mode by any of the EXTI lines. The EXTI line source can be one of the 16 external lines, the PVD output, RTC alarm, I2C1 or USART1.

The I2C1 and the USART1 can be configured to enable the HSI RC oscillator for processing incoming data. If this is used, the voltage regulator should not be put in the low-power mode but kept in normal mode.

- **Standby mode**

The Standby mode is used to achieve the lowest power consumption. The internal voltage regulator is switched off so that the entire 1.8 V domain is powered off. The PLL, the HSI RC and the HSE crystal oscillators are also switched off. After entering Standby mode, SRAM and register contents are lost except for registers in the Backup domain and Standby circuitry.

The device exits Standby mode when an external reset (NRST pin), a IWDG reset, a rising edge on the WKUP pins, or an RTC alarm occurs.

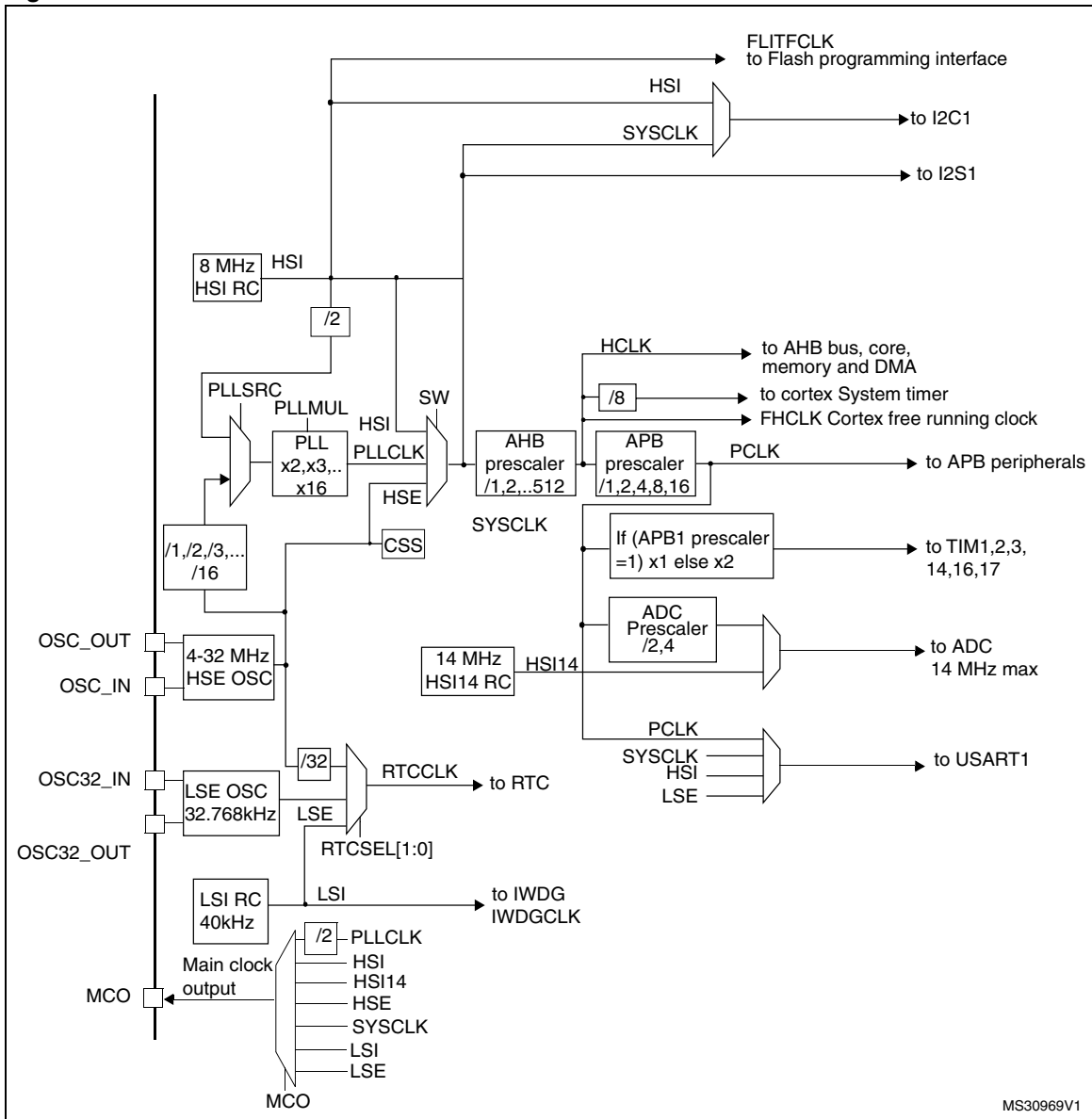
Note: The RTC, the IWDG, and the corresponding clock sources are not stopped by entering Stop or Standby mode.

3.6 Clocks and startup

System clock selection is performed on startup, however the internal RC 8 MHz oscillator is selected as default CPU clock on reset. An external 4-32 MHz clock can be selected, in which case it is monitored for failure. If failure is detected, the system automatically switches back to the internal RC oscillator. A software interrupt is generated if enabled. Similarly, full interrupt management of the PLL clock entry is available when necessary (for example on failure of an indirectly used external crystal, resonator or oscillator).

Several prescalers allow the application to configure the frequency of the AHB and the APB domains. The maximum frequency of the AHB and the APB domains is 48 MHz.

Figure 2. Clock tree



MS30969V1

3.7 General-purpose inputs/outputs (GPIOs)

Each of the GPIO pins can be configured by software as output (push-pull or open-drain), as input (with or without pull-up or pull-down) or as peripheral alternate function. Most of the GPIO pins are shared with digital or analog alternate functions.

The I/O configuration can be locked if needed following a specific sequence in order to avoid spurious writing to the I/Os registers.

3.8 Direct memory access controller (DMA)

The 5-channel general-purpose DMAs manage memory-to-memory, peripheral-to-memory and memory-to-peripheral transfers.

The DMA supports circular buffer management, removing the need for user code intervention when the controller reaches the end of the buffer.

Each channel is connected to dedicated hardware DMA requests, with support for software trigger on each channel. Configuration is made by software and transfer sizes between source and destination are independent.

DMA can be used with the main peripherals: SPI, I2S, I2C, USART, all TIMx timers (except TIM14) and ADC.

3.9 Interrupts and events

3.9.1 Nested vectored interrupt controller (NVIC)

The STM32F050xx family embeds a nested vectored interrupt controller able to handle up to 32 maskable interrupt channels (not including the 16 interrupt lines of Cortex™-M0) and 4 priority levels.

- Closely coupled NVIC gives low latency interrupt processing
- Interrupt entry vector table address passed directly to the core
- Closely coupled NVIC core interface
- Allows early processing of interrupts
- Processing of late arriving higher priority interrupts
- Support for tail-chaining
- Processor state automatically saved
- Interrupt entry restored on interrupt exit with no instruction overhead

This hardware block provides flexible interrupt management features with minimal interrupt latency.

3.9.2 Extended interrupt/event controller (EXTI)

The external interrupt/event controller consists of 24 edge detector lines used to generate interrupt/event requests and wake-up the system. Each line can be independently configured to select the trigger event (rising edge, falling edge, both) and can be masked independently. A pending register maintains the status of the interrupt requests. The EXTI can detect an external line with a pulse width shorter than the internal clock period. Up to 39 GPIOs can be connected to the 16 external interrupt lines.

3.10 Analog to digital converter (ADC)

The 12-bit analog to digital converter has up to 16 external and 3 internal (temperature sensor, voltage reference, VBAT voltage measurement) channels and performs conversions in single-shot or scan modes. In scan mode, automatic conversion is performed on a selected group of analog inputs.

The ADC can be served by the DMA controller.

An analog watchdog feature allows very precise monitoring of the converted voltage of one, some or all selected channels. An interrupt is generated when the converted voltage is outside the programmed thresholds.

3.10.1 Temperature sensor

The temperature sensor (TS) generates a voltage V_{SENSE} that varies linearly with temperature.

The temperature sensor is internally connected to the ADC_IN16 input channel which is used to convert the sensor output voltage into a digital value.

The sensor provides good linearity but it has to be calibrated to obtain good overall accuracy of the temperature measurement. As the offset of the temperature sensor varies from chip to chip due to process variation, the uncalibrated internal temperature sensor is suitable for applications that detect temperature changes only.

To improve the accuracy of the temperature sensor measurement, each device is individually factory-calibrated by ST. The temperature sensor factory calibration data are stored by ST in the system memory area, accessible in read-only mode.

Table 3. Temperature sensor calibration values

Calibration value name	Description	Memory address
TS_CAL1	TS ADC raw data acquired at temperature of 30 °C, $V_{\text{DDA}} = 3.3 \text{ V}$	0x1FFF F7B8 - 0x1FFF F7B9
TS_CAL2	TS ADC raw data acquired at temperature of 110 °C $V_{\text{DDA}} = 3.3 \text{ V}$	0x1FFF F7C2 - 0x1FFF F7C3

3.10.2 Internal voltage reference (V_{REFINT})

The internal voltage reference (V_{REFINT}) provides a stable (bandgap) voltage output for the ADC. V_{REFINT} is internally connected to the ADC_IN17 input channel. The precise voltage of V_{REFINT} is individually measured for each part by ST during production test and stored in the system memory area. It is accessible in read-only mode.

Table 4. Temperature sensor calibration values

Calibration value name	Description	Memory address
VREFINT_CAL	Raw data acquired at temperature of 30 °C $V_{\text{DDA}} = 3.3 \text{ V}$	0x1FFF F7BA - 0x1FFF F7BB

3.11 Timers and watchdogs

The STM32F050xx family devices include up to six general-purpose timers, one basic timer and an advanced control timer.

[Table 5](#) compares the features of the advanced-control, general-purpose and basic timers.

Table 5. Timer feature comparison

Timer type	Timer	Counter resolution	Counter type	Prescaler factor	DMA request generation	Capture/compare channels	Complementary outputs
Advanced control	TIM1	16-bit	Up, down, up/down	Any integer between 1 and 65536	Yes	4	Yes
General purpose	TIM2	32-bit	Up, down, up/down	Any integer between 1 and 65536	Yes	4	No
	TIM3	16-bit	Up, down, up/down	Any integer between 1 and 65536	Yes	4	No
	TIM14	16-bit	Up	Any integer between 1 and 65536	No	1	No
	TIM16, TIM17	16-bit	Up	Any integer between 1 and 65536	Yes	1	Yes

3.11.1 Advanced-control timer (TIM1)

The advanced-control timer (TIM1) can be seen as a three-phase PWM multiplexed on 6 channels. It has complementary PWM outputs with programmable inserted dead times. It can also be seen as a complete general-purpose timer. The 4 independent channels can be used for:

- Input capture
- Output compare
- PWM generation (edge or center-aligned modes)
- One-pulse mode output

If configured as a standard 16-bit timer, it has the same features as the TIMx timer. If configured as the 16-bit PWM generator, it has full modulation capability (0-100%).

The counter can be frozen in debug mode.

Many features are shared with those of the standard timers which have the same architecture. The advanced control timer can therefore work together with the other timers via the Timer Link feature for synchronization or event chaining.

3.11.2 General-purpose timers (TIM2..3, TIM14..17)

There are six synchronizable general-purpose timers embedded in the STM32F050xx devices (see [Table 5](#) for differences). Each general-purpose timer can be used to generate PWM outputs, or as simple time base.

TIM2, TIM3

STM32F050xx devices feature two synchronizable 4-channel general-purpose timers. TIM2 is based on a 32-bit auto-reload up/downcounter and a 16-bit prescaler. TIM3 is based on a 16-bit auto-reload up/downcounter and a 16-bit prescaler. They feature 4 independent channels each for input capture/output compare, PWM or one-pulse mode output. This gives up to 12 input captures/output compares/PWMs on the largest packages.

The TIM2 and TIM3 general-purpose timers can work together or with the TIM1 advanced-control timer via the Timer Link feature for synchronization or event chaining.

TIM2 and TIM3 both have independent DMA request generation.

These timers are capable of handling quadrature (incremental) encoder signals and the digital outputs from 1 to 3 hall-effect sensors.

Their counters can be frozen in debug mode.

TIM14

This timer is based on a 16-bit auto-reload upcounter and a 16-bit prescaler.

TIM14 features one single channel for input capture/output compare, PWM or one-pulse mode output.

Its counter can be frozen in debug mode.

TIM16 and TIM17

These timers are based on a 16-bit auto-reload upcounter and a 16-bit prescaler.

TIM16 and TIM17 feature one single channel for input capture/output compare, PWM or one-pulse mode output.

TIM16, and TIM17 have a complementary output with dead-time generation and independent DMA request generation

Their counters can be frozen in debug mode.

3.11.3 Independent watchdog (IWDG)

The independent watchdog is based on an 8-bit prescaler and 12-bit downcounter with user-defined refresh window. It is clocked from an independent 40 kHz internal RC and as it operates independently from the main clock, it can operate in Stop and Standby modes. It can be used either as a watchdog to reset the device when a problem occurs, or as a free running timer for application timeout management. It is hardware or software configurable through the option bytes. The counter can be frozen in debug mode.

3.11.4 System window watchdog (WWDG)

The system window watchdog is based on a 7-bit downcounter that can be set as free running. It can be used as a watchdog to reset the device when a problem occurs. It is clocked from the APB clock (PCLK). It has an early warning interrupt capability and the counter can be frozen in debug mode.

3.11.5 SysTick timer

This timer is dedicated to real-time operating systems, but could also be used as a standard down counter. It features:

- A 24-bit down counter
- Autoreload capability
- Maskable system interrupt generation when the counter reaches 0.
- Programmable clock source (HCLK or HCLK/8)

3.12 Real-time clock (RTC) and backup registers

The RTC and the 5 backup registers are supplied through a switch that takes power either on V_{DD} supply when present or through the V_{BAT} pin. The backup registers are five 32-bit registers used to store 20 bytes of user application data when V_{DD} power is not present. They are not reset by a system or power reset, or when the device wakes up from Standby mode.

The RTC is an independent BCD timer/counter. Its main features are the following:

- Calendar with subsecond, seconds, minutes, hours (12 or 24 format), week day, date, month, year, in BCD (binary-coded decimal) format.
- Automatically correction for 28, 29 (leap year), 30, and 31 day of the month.
- Programmable alarm with wake up from Stop and Standby mode capability.
- On-the-fly correction from 1 to 32767 RTC clock pulses. This can be used to synchronize it with a master clock.
- Digital calibration circuit with 1 ppm resolution, to compensate for quartz crystal inaccuracy.
- 2 anti-tamper detection pins with programmable filter. The MCU can be woken up from Stop and Standby modes on tamper event detection.
- Timestamp feature which can be used to save the calendar content. This function can be triggered by an event on the timestamp pin, or by a tamper event. The MCU can be woken up from Stop and Standby modes on timestamp event detection.

The RTC clock sources can be:

- A 32.768 kHz external crystal
- A resonator or oscillator
- The internal low-power RC oscillator (typical frequency of 40 kHz)
- The high-speed external clock divided by 32.

3.13 Inter-integrated circuit interface (I²C)

The I²C interface (I2C1) can operate in multimaster or slave mode. It can support Standard mode (up to 100 kbit/s), Fast mode (up to 400 kbit/s) and Fast Mode Plus (up to 1 Mbit/s) with 20 mA output drive.

It supports 7-bit and 10-bit addressing modes, multiple 7-bit slave addresses (2 addresses, 1 with configurable mask). It also includes programmable analog and digital noise filters.

Table 6. Comparison of I2C analog and digital filters

	Analog filter	Digital filter
Pulse width of suppressed spikes	≥ 50 ns	Programmable length from 1 to 15 I2C peripheral clocks
Benefits	Available in Stop mode	1. Extra filtering capability vs. standard requirements. 2. Stable length
Drawbacks	Variations depending on temperature, voltage, process	Wakeup from Stop on address match is not available when digital filter is enabled.

In addition, I2C1 provides hardware support for SMBUS 2.0 and PMBUS 1.1: ARP capability, Host notify protocol, hardware CRC (PEC) generation/verification, timeouts verifications and ALERT protocol management. I2C1 also has a clock domain independent from the CPU clock, allowing the I2C1 to wake up the MCU from Stop mode on address match.

The I2C interface can be served by the DMA controller.

3.14 Universal synchronous/asynchronous receiver transmitter (USART)

The device embeds an universal synchronous/asynchronous receiver transmitters (USART1), which communicates at speeds of up to 6 Mbit/s.

It provides hardware management of the CTS, RTS and RS485 DE signals, multiprocessor communication mode, master synchronous communication and single-wire half-duplex communication mode. It also supports SmartCard communication (ISO 7816), IrDA SIR ENDEC, LIN Master/Slave capability, auto baud rate feature and has a clock domain independent from the CPU clock, allowing it to wake up the MCU from Stop mode.

The USART interface can be served by the DMA controller.

3.15 Serial peripheral interface (SPI)/Inter-integrated sound interfaces (I²S)

The SPI (SPI1) is able to communicate up to 18 Mbits/s in slave and master modes in full-duplex and half-duplex communication modes. The 3-bit prescaler gives 8 master mode frequencies and the frame size is configurable from 4 bits to 16 bits.

One standard I²S interface (multiplexed with SPI1) supporting four different audio standards can operate as master or slave at half-duplex communication mode. It can be configured to transfer 16 and 24 or 32 bits with 16-bit or 32-bit data resolution and synchronized by a specific signal. Audio sampling frequency from 8 kHz up to 192 kHz can be set by 8-bit programmable linear prescaler. When operating in master mode it can output a clock for an external audio component at 256 times the sampling frequency.

3.16 Serial wire debug port (SW-DP)

An ARM SW-DP interface is provided to allow a serial wire debugging tool to be connected to the MCU.

4 Pinouts and pin description

Figure 3. LQFP48 48-pin package pinout

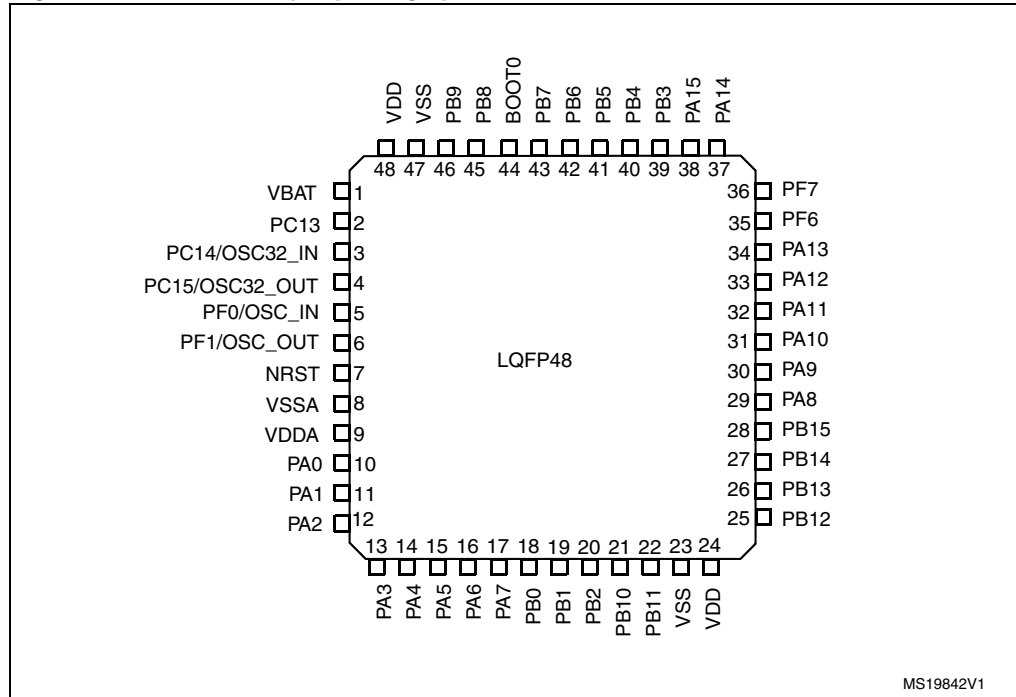


Figure 4. UFQFPN32 32-pin package pinout

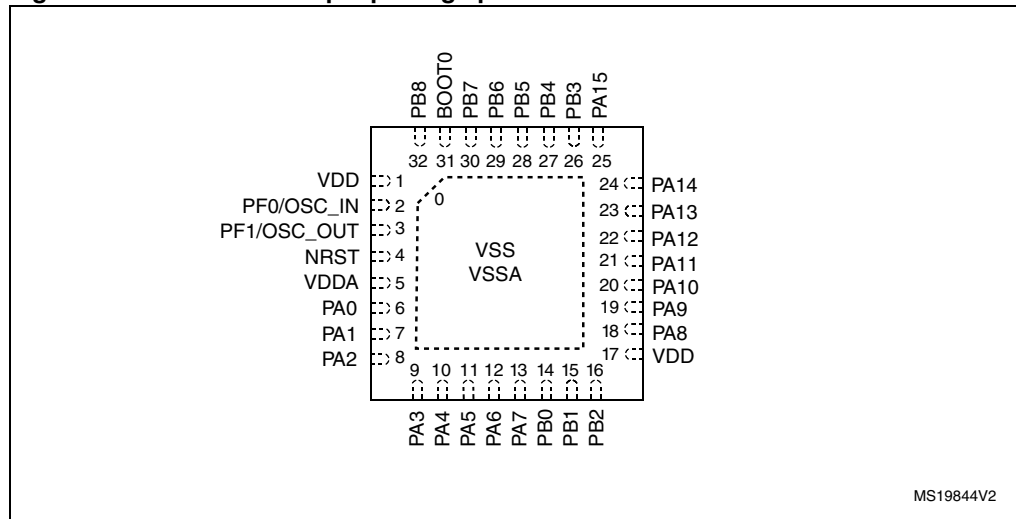


Figure 5. UFQFPN28 28-pin package pinout

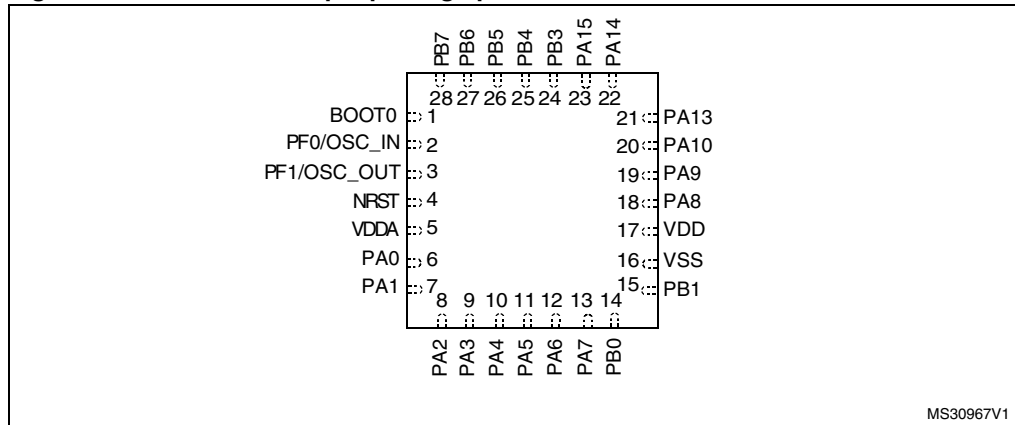


Figure 6. TSSOP20 20-pin package pinout

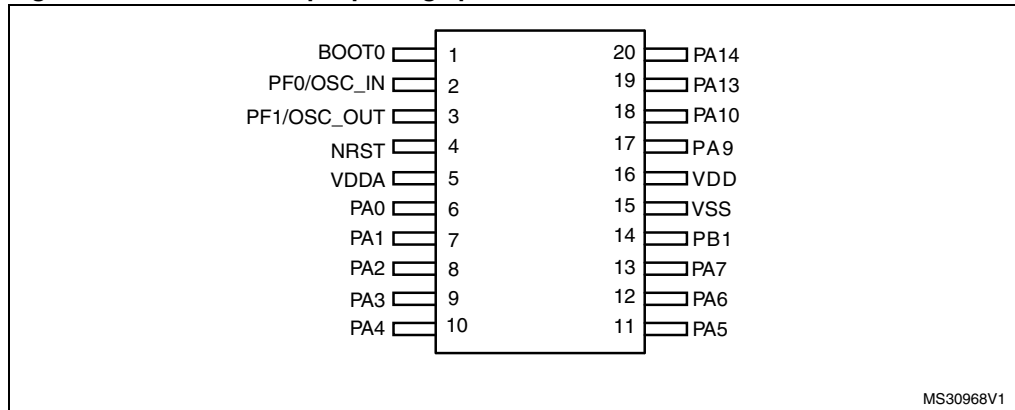


Table 7. Legend/abbreviations used in the pinout table

Name		Abbreviation	Definition
Pin name		Unless otherwise specified in brackets below the pin name, the pin function during and after reset is the same as the actual pin name	
Pin type		S	Supply pin
		I	Input only pin
		I/O	Input / output pin
I/O structure		FT	5 V tolerant I/O
		FTf	5 V tolerant I/O, FM+ capable
		TTa	3.3 V tolerant I/O directly connected to ADC
		TC	Standard 3.3V I/O
		B	Dedicated BOOT0 pin
		RST	Bidirectional reset pin with embedded weak pull-up resistor
Notes		Unless otherwise specified by a note, all I/Os are set as floating inputs during and after reset	
Pin functions	Alternate functions	Functions selected through GPIOx_AFR registers	
	Additional functions	Functions directly selected/enabled through peripheral registers	

Table 8. Pin definitions

Pin number				Pin name (function after reset)	Pin type	I/O structure	Notes	Pin functions	
LQFP48	UFGFPN32	UFGFPN28	TSSOP20					Alternate functions	Additional functions
1	-	-	-	VBAT	S			Backup power supply	
2	-	-	-	PC13	I/O	TC	(1)(2)		RTC_TAMP1, RTC_TS, RTC_OUT, WKUP2
3	-	-	-	PC14/OSC32_IN (PC14)	I/O	TC	(1)(2)		OSC32_IN
4	-	-	-	PC15/OSC32_OUT (PC15)	I/O	TC	(1)(2)		OSC32_OUT
5	2	2	2	PF0/OSC_IN (PF0)	I/O	FT			OSC_IN
6	3	3	3	PF1/OSC_OUT (PF1)	I/O	FT			OSC_OUT
7	4	4	4	NRST	I/O	RST		Device reset input / internal reset output (active low)	
8	0	-	-	VSSA	S			Analog ground	
9	5	5	5	VDDA	S			Analog power supply	
10	6	6	6	PA0	I/O	TTa		TIM2_CH1_ETR, USART1_CTS ⁽³⁾	ADC_IN0, RTC_TAMP2, WKUP1
11	7	7	7	PA1	I/O	TTa		TIM2_CH2, EVENTOUT, USART1_RTS ⁽³⁾	ADC_IN1
12	8	8	8	PA2	I/O	TTa		TIM2_CH3, USART1_TX ⁽³⁾	ADC_IN2
13	9	9	9	PA3	I/O	TTa		TIM2_CH4, USART1_RX ⁽³⁾	ADC_IN3
14	10	10	10	PA4	I/O	TTa		SPI1_NSS, I2S1_WS, TIM14_CH1, USART1_CK ⁽³⁾	ADC_IN4
15	11	11	11	PA5	I/O	TTa		SPI1_SCK, I2S1_CK, TIM2_CH1_ETR	ADC_IN5

Table 8. Pin definitions (continued)

Pin number				Pin name (function after reset)	Pin type	I/O structure	Notes	Pin functions	
LQFP48	UFQFPN32	UFQFPN28	TSSOP20					Alternate functions	Additional functions
16	12	12	12	PA6	I/O	TTa		SPI1_MISO, I2S1_MCK, TIM3_CH1, TIM1_BKIN, TIM16_CH1, EVENTOUT	ADC_IN6
17	13	13	13	PA7	I/O	TTa		SPI1_MOSI, I2S1_SD, TIM3_CH2, TIM14_CH1, TIM1_CH1N, TIM17_CH1, EVENTOUT	ADC_IN7
18	14	14	-	PB0	I/O	TTa		TIM3_CH3, TIM1_CH2N, EVENTOUT	ADC_IN8
19	15	15	14	PB1	I/O	TTa		TIM3_CH4, TIM14_CH1, TIM1_CH3N	ADC_IN9
20	16	-	-	PB2	I/O	FT			
21	-	-	-	PB10	I/O	FTf		TIM2_CH3, I2C1_SCL ⁽³⁾	
22	-	-	-	PB11	I/O	FTf		TIM2_CH4, EVENTOUT, I2C1_SDA ⁽³⁾	
23	0	16	15	VSS	S			Ground	
24	17	17	16	VDD	S			Digital power supply	
25	-	-	-	PB12	I/O	FT		TIM1_BKIN, EVENTOUT, SPI1_NSS ⁽³⁾	
26	-	-	-	PB13	I/O	FT		TIM1_CH1N, SPI1_SCK ⁽³⁾	
27	-	-	-	PB14	I/O	FT		TIM1_CH2N, SPI1_MISO ⁽³⁾	
28	-	-	-	PB15	I/O	FT		TIM1_CH3N, SPI1_MOSI ⁽³⁾	RTC_REFIN

Table 8. Pin definitions (continued)

Pin number				Pin name (function after reset)	Pin type	I/O structure	Notes	Pin functions	
LQFP48	UFQFPN32	UFQFPN28	TSSOP20					Alternate functions	Additional functions
29	18	18	-	PA8	I/O	FT		USART1_CK, TIM1_CH1, EVENTOUT, MCO	
30	19	19	17	PA9	I/O	FTf		USART1_TX, TIM1_CH2, I2C1_SCL ⁽³⁾	
31	20	20	18	PA10	I/O	FTf		USART1_RX, TIM1_CH3, TIM17_BKIN, I2C1_SDA ⁽³⁾	
32	21	-	-	PA11	I/O	FT		USART1_CTS, TIM1_CH4, EVENTOUT	
33	22	-	-	PA12	I/O	FT		USART1_RTS, TIM1_ETR, EVENTOUT	
34	23	21	19	PA13 (SWDAT)	I/O	FT	(4)	IR_OUT, SWDAT	
35	-	-	-	PF6	I/O	FTf		I2C1_SCL ⁽³⁾	
36	-	-	-	PF7	I/O	FTf		I2C1_SDA ⁽³⁾	
37	24	22	20	PA14 (SWCLK)	I/O	FT	(4)	SWCLK, USART1_TX ⁽³⁾	
38	25	23	-	PA15	I/O	FT		SPI1_NSS, I2S1_WS, TIM2_CH_ETR, EVENTOUT, USART1_RX ⁽³⁾	
39	26	24	-	PB3	I/O	FT		SPI1_SCK, I2S1_CK, TIM2_CH2, EVENTOUT	
40	27	25	-	PB4	I/O	FT		SPI1_MISO, I2S1_MCK, TIM3_CH1, EVENTOUT	

Table 8. Pin definitions (continued)

Pin number				Pin name (function after reset)	Pin type	I/O structure	Notes	Pin functions	
LQFP48	UFQFPN32	UFQFPN28	TSSOP20					Alternate functions	Additional functions
41	28	26	-	PB5	I/O	FT		SPI1_MOSI, I2S1_SD, I2C1_SMBA, TIM16_BKIN, TIM3_CH2	
42	29	27	-	PB6	I/O	FTf		I2C1_SCL, USART1_TX, TIM16_CH1N	
43	30	28	-	PB7	I/O	FTf		I2C1_SDA, USART1_RX, TIM17_CH1N	
44	31	1	1	BOOT0	I	B		Boot memory selection	
45	32	-	-	PB8	I/O	FTf		I2C1_SCL, TIM16_CH1	
46	-	-	-	PB9	I/O	FTf		I2C1_SDA, IR_OUT, TIM17_CH1, EVENTOUT	
47	0	-	-	VSS	S			Ground	
48	1	-	-	VDD	S			Digital power supply	

- PC13, PC14 and PC15 are supplied through the power switch. Since the switch only sinks a limited amount of current (3 mA), the use of GPIO PC13 to PC15 in output mode is limited:
 - The speed should not exceed 2 MHz with a maximum load of 30 pF
 - these GPIOs must not be used as a current sources (e.g. to drive an LED).
- After the first backup domain power-up, PC13, PC14 and PC15 operate as GPIOs. Their function then depends on the content of the Backup registers which is not reset by the main reset. For details on how to manage these GPIOs, refer to the Battery backup domain and BKP register description sections in the STM32F05xx reference manual.
- This alternate feature is available on standard dies only.
- After reset, these pins are configured as SWDAT and SWCLK alternate functions, and the internal pull-up on SWDAT pin and internal pull-down on SWCLK pin are activated.


Table 9. Alternate functions selected through GPIOA_AFR registers for port A

Pin name	AF0	AF1	AF2	AF3	AF4	AF5	AF6	AF7
PA0		USART1_CKS ⁽¹⁾	TIM2_CH1_ETR					
PA1	EVENTOUT	USART1_TX ⁽¹⁾	TIM2_CH2					
PA2		USART1_RX ⁽¹⁾	TIM2_CH3					
PA3		USART1_CTS ⁽¹⁾	TIM2_CH4					
PA4	SPI1_NSS, I2S1_WS	USART1_RTS ⁽¹⁾			TIM14_CH1			
PA5	SPI1_SCK, I2S1_CK		TIM2_CH1_ETR					
PA6	SPI1_MISO, I2S1_MCK	TIM3_CH1	TIM1_BKIN			TIM16_CH1	EVENTOUT	
PA7	SPI1_MOSI, I2S1_SD	TIM3_CH2	TIM1_CH1N		TIM14_CH1	TIM17_CH1	EVENTOUT	
PA8	MCO	USART1_CK	TIM1_CH1	EVENTOUT				
PA9		USART1_TX	TIM1_CH2		I2C1_SCL ⁽¹⁾			
PA10	TIM17_BKIN	USART1_RX	TIM1_CH3		I2C1_SDA ⁽¹⁾			
PA11	EVENTOUT	USART1_CTS	TIM1_CH4					
PA12	EVENTOUT	USART1_RTS	TIM1_ETR					
PA13	SWDAT	IR_OUT						
PA14	SWCLK	USART1_TX ⁽¹⁾						
PA15	SPI1_NSS, I2S1_WS	USART1_RX ⁽¹⁾	TIM2_CH1_ETR	EVENTOUT				

1. This alternate feature is available on standard dies only.

**Table 10. Alternate functions selected through GPIOB_AFR registers for port B**

Pin name	AF0	AF1	AF2	AF3
PB0	EVENTOUT	TIM3_CH3	TIM1_CH2N	
PB1	TIM14_CH1	TIM3_CH4	TIM1_CH3N	
PB2				
PB3	SPI1_SCK, I2S1_CK	EVENTOUT	TIM2_CH2	
PB4	SPI1_MISO, I2S1_MCK	TIM3_CH1	EVENTOUT	
PB5	SPI1_MOSI, I2S1_SD	TIM3_CH2	TIM16_BKIN	I2C1_SMBA
PB6	USART1_TX	I2C1_SCL	TIM16_CH1N	
PB7	USART1_RX	I2C1_SDA	TIM17_CH1N	
PB8		I2C1_SCL	TIM16_CH1	
PB9	IR_OUT	I2C1_SDA	TIM17_CH1	EVENTOUT
PB10		I2C1_SCL ⁽¹⁾	TIM2_CH3	
PB11	EVENTOUT	I2C1_SDA ⁽¹⁾	TIM2_CH4	
PB12	SPI1_NSS ⁽¹⁾	EVENTOUT	TIM1_BKIN	
PB13	SPI1_SCK ⁽¹⁾		TIM1_CH1N	
PB14	SPI1_MISO ⁽¹⁾		TIM1_CH2N	
PB15	SPI1_MOSI ⁽¹⁾		TIM1_CH3N	

1. This alternate feature is available on standard dies only.

5 Memory mapping

Figure 7. STM32F050xx memory map

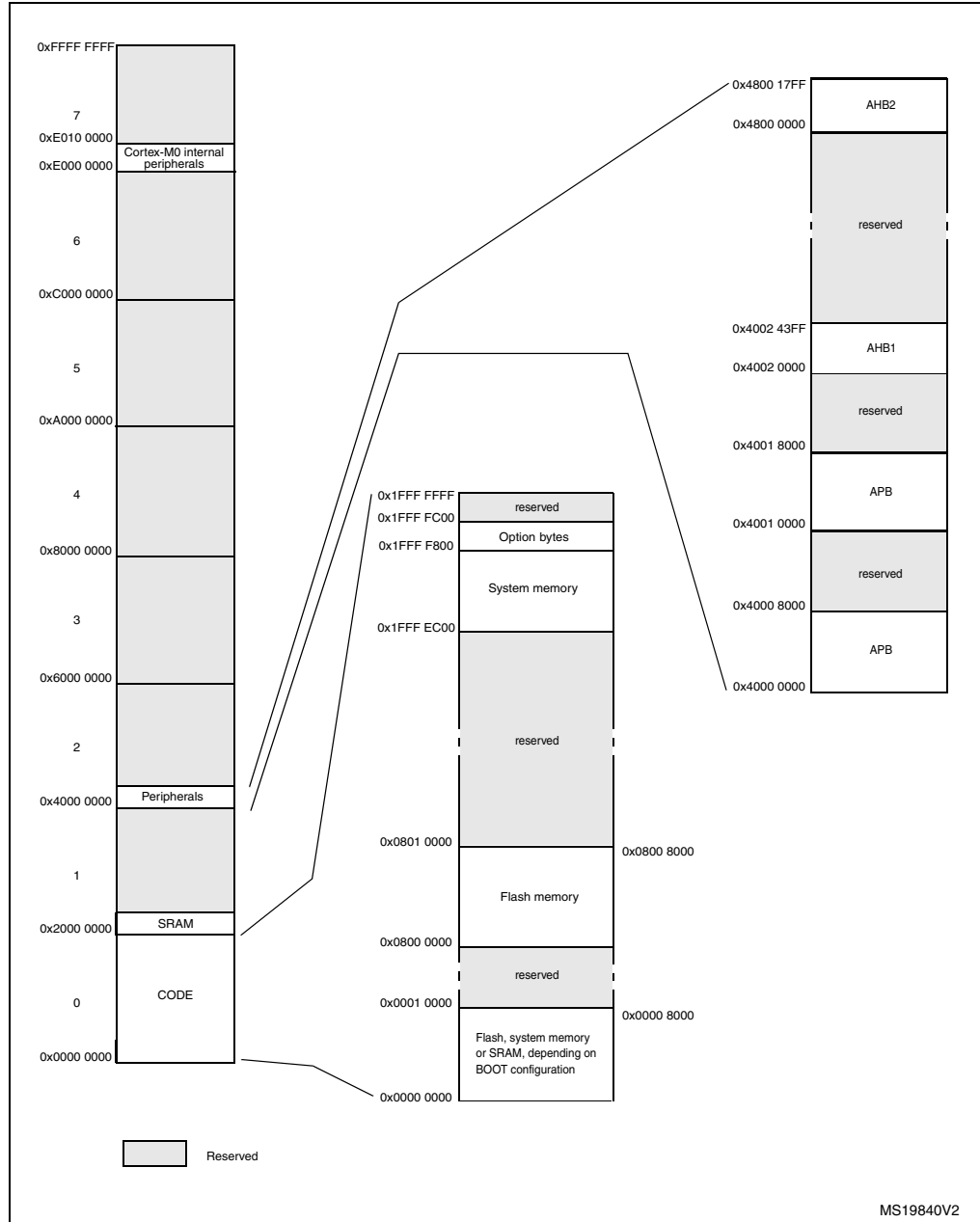


Table 11. STM32F050x peripheral register boundary addresses

Bus	Boundary address	Size	Peripheral
	0x4800 1800 - 0x5FFF FFFF	~384 MB	Reserved
AHB2	0x4800 1400 - 0x4800 17FF	1KB	GPIOF
	0x4800 1000 - 0x4800 13FF	1KB	Reserved
	0x4800 0C00 - 0x4800 0FFF	1KB	Reserved
	0x4800 0800 - 0x4800 0BFF	1KB	GPIOC
	0x4800 0400 - 0x4800 07FF	1KB	GPIOB
	0x4800 0000 - 0x4800 03FF	1KB	GPIOA
	0x4002 4400 - 0x47FF FFFF	~128 MB	Reserved
AHB1	0x4002 4000 - 0x4002 43FF	1KB	Reserved
	0x4002 3400 - 0x4002 3FFF	3KB	Reserved
	0x4002 3000 - 0x4002 33FF	1KB	CRC
	0x4002 2400 - 0x4002 2FFF	3KB	Reserved
	0x4002 2000 - 0x4002 23FF	1KB	FLASH Interface
	0x4002 1400 - 0x4002 1FFF	3KB	Reserved
	0x4002 1000 - 0x4002 13FF	1KB	RCC
	0x4002 0400 - 0x4002 0FFF	3KB	Reserved
	0x4002 0000 - 0x4002 03FF	1KB	DMA
	0x4001 8000 - 0x4001 FFFF	32KB	Reserved
APB	0x4001 5C00 - 0x4001 7FFF	9KB	Reserved
	0x4001 5800 - 0x4001 5BFF	1KB	DBGMCU
	0x4001 4C00 - 0x4001 57FF	3KB	Reserved
	0x4001 4800 - 0x4001 4BFF	1KB	TIM17
	0x4001 4400 - 0x4001 47FF	1KB	TIM16
	0x4001 4000 - 0x4001 43FF	1KB	Reserved
	0x4001 3C00 - 0x4001 3FFF	1KB	Reserved
	0x4001 3800 - 0x4001 3BFF	1KB	USART1
	0x4001 3400 - 0x4001 37FF	1KB	Reserved
	0x4001 3000 - 0x4001 33FF	1KB	SPI1/I2S1
	0x4001 2C00 - 0x4001 2FFF	1KB	TIM1
	0x4001 2800 - 0x4001 2BFF	1KB	Reserved
	0x4001 2400 - 0x4001 27FF	1KB	ADC
	0x4001 0800 - 0x4001 23FF	7KB	Reserved
	0x4001 0400 - 0x4001 07FF	1KB	EXTI
	0x4001 0000 - 0x4001 03FF	1KB	SYSCFG
	0x4000 8000 - 0x4000 FFFF	32KB	Reserved

Table 11. STM32F050x peripheral register boundary addresses (continued)

Bus	Boundary address	Size	Peripheral
APB	0x4000 7C00 - 0x4000 7FFF	1KB	Reserved
	0x4000 7800 - 0x4000 7BFF	1KB	Reserved
	0x4000 7400 - 0x4000 77FF	1KB	Reserved
	0x4000 7000 - 0x4000 73FF	1KB	PWR
	0x4000 5C00 - 0x4000 6FFF	5KB	Reserved
	0x4000 5800 - 0x4000 5BFF	1KB	Reserved
	0x4000 5400 - 0x4000 57FF	1KB	I2C1
	0x4000 4800 - 0x4000 53FF	3 KB	Reserved
	0x4000 4400 - 0x4000 47FF	1KB	Reserved
	0x4000 3C00 - 0x4000 43FF	2KB	Reserved
	0x4000 3800 - 0x4000 3BFF	1KB	Reserved
	0x4000 3400 - 0x4000 37FF	1KB	Reserved
	0x4000 3000 - 0x4000 33FF	1KB	IWDG
	0x4000 2C00 - 0x4000 2FFF	1KB	WWDG
	0x4000 2800 - 0x4000 2BFF	1KB	RTC
	0x4000 2400 - 0x4000 27FF	1KB	Reserved
	0x4000 2000 - 0x4000 23FF	1KB	TIM14
	0x4000 1400 - 0x4000 1FFF	3KB	Reserved
	0x4000 1000 - 0x4000 13FF	1KB	Reserved
	0x4000 0800 - 0x4000 0FFF	2KB	Reserved
0x4000 0400 - 0x4000 07FF	1KB	TIM3	
0x4000 0000 - 0x4000 03FF	1KB	TIM2	

6 Electrical characteristics

6.1 Parameter conditions

Unless otherwise specified, all voltages are referenced to V_{SS} .

6.1.1 Minimum and maximum values

Unless otherwise specified, the minimum and maximum values are guaranteed in the worst conditions of ambient temperature, supply voltage and frequencies by tests in production on 100% of the devices with an ambient temperature at $T_A = 25\text{ °C}$ and $T_A = T_{Amax}$ (given by the selected temperature range).

Data based on characterization results, design simulation and/or technology characteristics are indicated in the table footnotes and are not tested in production. Based on characterization, the minimum and maximum values refer to sample tests and represent the mean value plus or minus three times the standard deviation ($\text{mean} \pm 3\sigma$).

6.1.2 Typical values

Unless otherwise specified, typical data are based on $T_A = 25\text{ °C}$, $V_{DD} = V_{DDA} = 3.3\text{ V}$. They are given only as design guidelines and are not tested.

Typical ADC accuracy values are determined by characterization of a batch of samples from a standard diffusion lot over the full temperature range, where 95% of the devices have an error less than or equal to the value indicated ($\text{mean} \pm 2\sigma$).

6.1.3 Typical curves

Unless otherwise specified, all typical curves are given only as design guidelines and are not tested.

6.1.4 Loading capacitor

The loading conditions used for pin parameter measurement are shown in [Figure 8](#).

6.1.5 Pin input voltage

The input voltage measurement on a pin of the device is described in [Figure 9](#).

Figure 8. Pin loading conditions

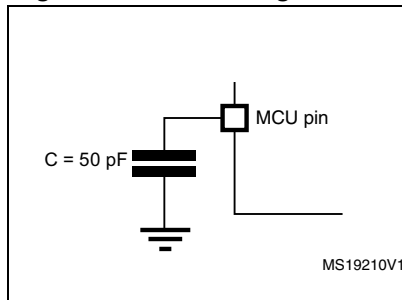
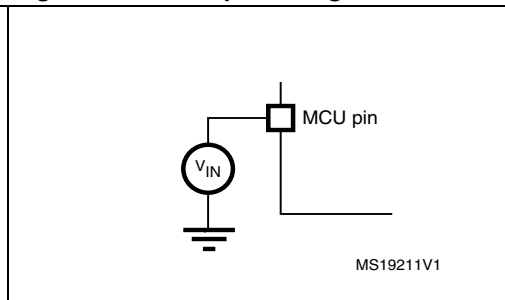
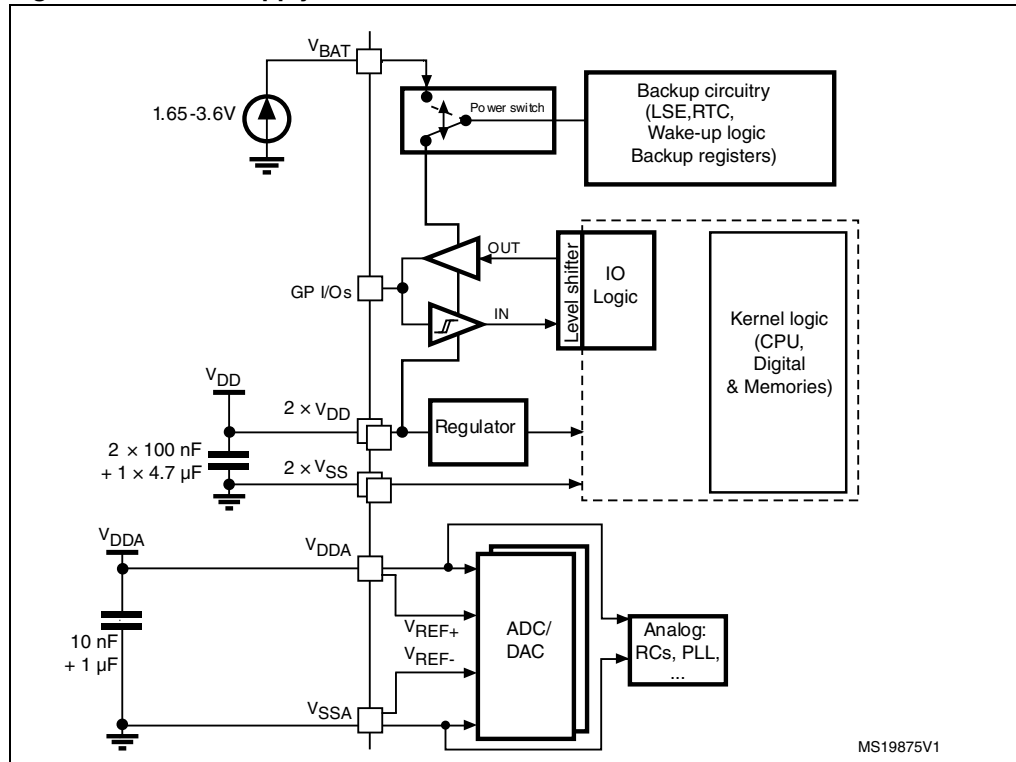


Figure 9. Pin input voltage



6.1.6 Power supply scheme

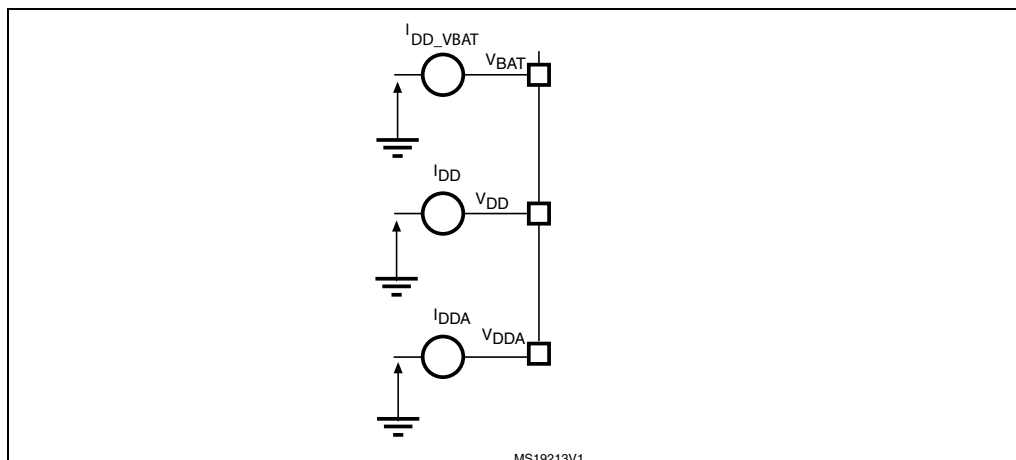
Figure 10. Power supply scheme



Caution: Each power supply pair (V_{DD}/V_{SS} , V_{DDA}/V_{SSA} etc.) must be decoupled with filtering ceramic capacitors as shown above. These capacitors must be placed as close as possible to, or below, the appropriate pins on the underside of the PCB to ensure the good functionality of the device.

6.1.7 Current consumption measurement

Figure 11. Current consumption measurement scheme



6.2 Absolute maximum ratings

Stresses above the absolute maximum ratings listed in [Table 12: Voltage characteristics](#), [Table 13: Current characteristics](#), and [Table 14: Thermal characteristics](#) may cause permanent damage to the device. These are stress ratings only and functional operation of the device at these conditions is not implied. Exposure to maximum rating conditions for extended periods may affect device reliability.

Table 12. Voltage characteristics⁽¹⁾

Symbol	Ratings	Min	Max	Unit
$V_{DD}-V_{DDA}$	Allowed voltage difference for $V_{DD} > V_{DDA}$	-	0.4	V
$V_{IN}^{(2)}$	Input voltage on FT and FTf pins	$V_{SS}-0.3$	$V_{DD}+4.0$	V
	Input voltage on TTA pins	$V_{SS}-0.3$	4.0	V
	Input voltage on any other pin	$V_{SS}-0.3$	4.0	V
$ \Delta V_{DDx} $	Variations between different V_{DD} power pins	-	50	mV
$ V_{SSx}-V_{SS} $	Variations between all the different ground pins	-	50	mV
$V_{ESD(HBM)}$	Electrostatic discharge voltage (human body model)	see Section 6.3.11: Electrical sensitivity characteristics		

1. All main power (V_{DD} , V_{DDA}) and ground (V_{SS} , V_{SSA}) pins must always be connected to the external power supply, in the permitted range.
2. V_{IN} maximum must always be respected. Refer to [Table 13: Current characteristics](#) for the maximum allowed injected current values.

Table 13. Current characteristics

Symbol	Ratings	Max.	Unit
$I_{VDD(\Sigma)}$	Total current into sum of all VDD_x and $VDDSDx$ power lines (source) ⁽¹⁾	120	mA
$I_{VSS(\Sigma)}$	Total current out of sum of all VSS_x and $VSSSD$ ground lines (sink) ⁽¹⁾	-120	
$I_{VDD(PIN)}$	Maximum current into each VDD_x or $VDDSDx$ power pin (source) ⁽¹⁾	100	
$I_{VSS(PIN)}$	Maximum current out of each VSS_x or $VSSSD$ ground pin (sink) ⁽¹⁾	-100	
$I_{IO(PIN)}$	Output current sunk by any I/O and control pin	25	
	Output current source by any I/O and control pin	-25	
$\Sigma I_{IO(PIN)}$	Total output current sunk by sum of all IOs and control pins ⁽²⁾	80	
	Total output current sourced by sum of all IOs and control pins ⁽²⁾	-80	
$I_{INJ(PIN)}$	Injected current on FT, FTf and B pins ⁽³⁾	-5/+0	
	Injected current on TC and RST pin ⁽⁴⁾	± 5	
	Injected current on TTA pins ⁽⁵⁾	± 5	
$\Sigma I_{INJ(PIN)}$	Total injected current (sum of all I/O and control pins) ⁽⁶⁾	± 25	

1. All main power (VDD , $VDDA$) and ground (VSS , $VSSA$) pins must always be connected to the external power supply, in the permitted range.

2. This current consumption must be correctly distributed over all I/Os and control pins. The total output current must not be sunk/sourced between two consecutive power supply pins referring to high pin count QFP packages.
3. Positive injection is not possible on these I/Os and does not occur for input voltages lower than the specified maximum value.
4. A positive injection is induced by $V_{IN} > V_{DD}$ while a negative injection is induced by $V_{IN} < V_{SS}$. $I_{INJ(PIN)}$ must never be exceeded. Refer to [Table 12: Voltage characteristics](#) for the maximum allowed input voltage values.
5. A positive injection is induced by $V_{IN} > V_{DDA}$ while a negative injection is induced by $V_{IN} < V_{SS}$. $I_{INJ(PIN)}$ must never be exceeded. Refer also to [Table 12: Voltage characteristics](#) for the maximum allowed input voltage values. Negative injection disturbs the analog performance of the device. See note ⁽²⁾ below [Table 51: ADC accuracy](#).
6. When several inputs are submitted to a current injection, the maximum $\Sigma I_{INJ(PIN)}$ is the absolute sum of the positive and negative injected currents (instantaneous values).

Table 14. Thermal characteristics

Symbol	Ratings	Value	Unit
T_{STG}	Storage temperature range	-65 to +150	°C
T_J	Maximum junction temperature	150	°C

6.3 Operating conditions

6.3.1 General operating conditions

Table 15. General operating conditions

Symbol	Parameter	Conditions	Min	Max	Unit
f_{HCLK}	Internal AHB clock frequency		0	48	MHz
f_{PCLK}	Internal APB clock frequency		0	48	
V_{DD}	Standard operating voltage		2	3.6	V
$V_{DDA}^{(1)}$	Analog operating voltage (ADC not used)	Must have a potential equal to or higher than V_{DD}	2	3.6	V
	Analog operating voltage (ADC used)		2.4	3.6	
V_{BAT}	Backup operating voltage		1.65	3.6	V
V_{IN}	I/O input voltage	TC I/O	-0.3	$V_{DD}+0.3$	V
		TTa I/O	-0.3	$V_{DDA}+0.3$	
		FT and FTf I/O ⁽²⁾	-0.3	5.5	
		BOOT0	0	5.5	
P_D	Power dissipation at $T_A = 85\text{ °C}$ for suffix 6 or $T_A = 105\text{ °C}$ for suffix 7 ⁽³⁾	LQFP48	-	364	mW
		UFQFPN32	-	526	
		UFQFPN28	-	169	
		TSSOP20	-	182	
T_A	Ambient temperature for 6 suffix version	Maximum power dissipation	-40	85	°C
		Low power dissipation ⁽⁴⁾	-40	105	
	Ambient temperature for 7 suffix version	Maximum power dissipation	-40	105	°C
		Low power dissipation ⁽⁴⁾	-40	125	
T_J	Junction temperature range	6 suffix version	-40	105	°C
		7 suffix version	-40	125	

1. When the ADC is used, refer to [Table 49: ADC characteristics](#).
2. To sustain a voltage higher than $V_{DD}+0.3\text{ V}$, the internal pull-up/pull-down resistors must be disabled.
3. If T_A is lower, higher P_D values are allowed as long as T_J does not exceed T_{Jmax} (see [Table 14: Thermal characteristics](#)).
4. In low power dissipation state, T_A can be extended to this range as long as T_J does not exceed T_{Jmax} (see [Table 14: Thermal characteristics](#)).

6.3.2 Operating conditions at power-up / power-down

The parameters given in [Table 16](#) are derived from tests performed under the ambient temperature condition summarized in [Table 15](#).

Table 16. Operating conditions at power-up / power-down

Symbol	Parameter	Conditions	Min	Max	Unit
t_{VDD}	V_{DD} rise time rate		0	∞	$\mu\text{s/V}$
	V_{DD} fall time rate		20	∞	
t_{VDDA}	V_{DDA} rise time rate		0	∞	
	V_{DDA} fall time rate		20	∞	

6.3.3 Embedded reset and power control block characteristics

The parameter given in [Table 17](#) is derived from tests performed under ambient temperature and V_{DD} supply voltage conditions summarized in [Table 15: General operating conditions](#).

Table 17. Embedded reset and power control block characteristics

Symbol	Parameter	Conditions	Min	Typ	Max	Unit
$V_{POR/PDR}^{(1)}$	Power on/power down reset threshold	Falling edge	1.8 ⁽²⁾	1.88	1.96	V
		Rising edge	1.84	1.92	2.0	V
$V_{PDRhyst}^{(1)}$	PDR hysteresis		-	40	-	mV
$t_{RSTTEMPO}^{(3)}$	Reset temporization		1.5	2.5	4.5	ms

1. The PDR detector monitors V_{DD} and also V_{DDA} (if kept enabled in the option bytes). The POR detector monitors only V_{DD} .
2. The product behavior is guaranteed by design down to the minimum $V_{POR/PDR}$ value.
3. Guaranteed by design, not tested in production.

Table 18. Programmable voltage detector characteristics

Symbol	Parameter	Conditions	Min ⁽¹⁾	Typ	Max ⁽¹⁾	Unit
V_{PVD0}	PVD threshold 0	Rising edge	2.1	2.18	2.26	V
		Falling edge	2	2.08	2.16	V
V_{PVD1}	PVD threshold 1	Rising edge	2.19	2.28	2.37	V
		Falling edge	2.09	2.18	2.27	V
V_{PVD2}	PVD threshold 2	Rising edge	2.28	2.38	2.48	V
		Falling edge	2.18	2.28	2.38	V
V_{PVD3}	PVD threshold 3	Rising edge	2.38	2.48	2.58	V
		Falling edge	2.28	2.38	2.48	V
V_{PVD4}	PVD threshold 4	Rising edge	2.47	2.58	2.69	V
		Falling edge	2.37	2.48	2.59	V

Table 18. Programmable voltage detector characteristics (continued)

Symbol	Parameter	Conditions	Min ⁽¹⁾	Typ	Max ⁽¹⁾	Unit
V _{PVD5}	PVD threshold 5	Rising edge	2.57	2.68	2.79	V
		Falling edge	2.47	2.58	2.69	V
V _{PVD6}	PVD threshold 6	Rising edge	2.66	2.78	2.9	V
		Falling edge	2.56	2.68	2.8	V
V _{PVD7}	PVD threshold 7	Rising edge	2.76	2.88	3	V
		Falling edge	2.66	2.78	2.9	V
V _{PVDhyst} ⁽²⁾	PVD hysteresis		-	100	-	mV
I _{DD(PVD)}	PVD current consumption		-	0.15	0.26	μA

1. Data based on characterization results only, not tested in production.
2. Guaranteed by design, not tested in production.

6.3.4 Embedded reference voltage

The parameters given in [Table 19](#) are derived from tests performed under ambient temperature and V_{DD} supply voltage conditions summarized in [Table 15: General operating conditions](#).

Table 19. Embedded internal reference voltage

Symbol	Parameter	Conditions	Min	Typ	Max	Unit
V _{REFINT}	Internal reference voltage	-40 °C < T _A < +105 °C	1.16	1.2	1.25	V
		-40 °C < T _A < +85 °C	1.16	1.2	1.24 ⁽¹⁾	V
T _{S_vrefint} ⁽²⁾	ADC sampling time when reading the internal reference voltage		-	5.1	17.1 ⁽³⁾	μs
ΔV _{REFINT}	Internal reference voltage spread over the temperature range	V _{DDA} = 3 V ±10 mV	-	-	10 ⁽³⁾	mV
T _{Coeff}	Temperature coefficient		-	-	100 ⁽³⁾	ppm/°C

1. Data based on characterization results, not tested in production.
2. Shortest sampling time can be determined in the application by multiple iterations.
3. Guaranteed by design, not tested in production.

6.3.5 Supply current characteristics

The current consumption is a function of several parameters and factors such as the operating voltage, ambient temperature, I/O pin loading, device software configuration, operating frequencies, I/O pin switching rate, program location in memory and executed binary code.

The current consumption is measured as described in [Figure 11: Current consumption measurement scheme](#).

All Run-mode current consumption measurements given in this section are performed with a reduced code that gives a consumption equivalent to CoreMark code.

The data provided apply to standard dies only.

Typical and maximum current consumption

The MCU is placed under the following conditions:

- All I/O pins are in input mode with a static value at V_{DD} or V_{SS} (no load)
- All peripherals are disabled except when explicitly mentioned
- The Flash memory access time is adjusted to the f_{HCLK} frequency (0 wait state from 0 to 24 MHz and 1 wait state above 24 MHz)
- Prefetch is ON when the peripherals are enabled, otherwise it is OFF (to enable prefetch the PRFTBE bit in the FLASH_ACR register must be set before clock setting and bus prescaling)
- When the peripherals are enabled $f_{PCLK} = f_{HCLK}$

The parameters given in [Table 20](#) to [Table 26](#) are derived from tests performed under ambient temperature and supply voltage conditions summarized in [Table 15: General operating conditions](#).

Table 20. Typical and maximum current consumption from V_{DD} supply at V_{DD} = 3.6

Symbol	Parameter	Conditions	f _{HCLK}	All peripherals enabled				All peripherals disabled				Unit
				Typ	Max @ TA(1)			Typ	Max @ TA(1)			
					25 °C	85 °C	105 °C		25 °C	85 °C	105 °C	
IDD	Supply current in Run mode, executing from Flash	External clock (HSE bypass)	48 MHz	18.4	20.0	20.1	20.4	11.4	12.5	12.5	12.6	mA
			32 MHz	12.4	13.2	13.2	13.8	7.9	8.3	8.5	8.6	
			24 MHz	9.9	10.7	10.7	11.0	6.2	6.8	7.0	7.0	
			8 MHz	3.3	3.6	3.8	3.9	2.2	2.6	2.6	2.6	
		1 MHz	0.8	1.1	1.1	1.1	0.7	0.9	0.9	0.9		
		Internal clock (HSI)	48 MHz	18.9	20.9	21.1	21.5	11.7	12.3	12.9	13.1	
			32 MHz	12.8	13.7	14.2	14.8	8.0	8.7	9.1	9.1	
			24 MHz	9.7	10.4	11.2	11.3	6.1	6.5	6.7	6.9	
	8 MHz		3.5	4.0	4.0	4.1	2.4	2.6	2.7	2.7		
	Supply current in Run mode, executing from RAM	External clock (HSE bypass)	48 MHz	17.3	19.7	19.8	20.0	10.3	11.2	11.3	11.7	
			32 MHz	11.2	12.5	12.7	12.7	6.7	7.3	7.6	7.6	
			24 MHz	8.9	10.0	10.1	10.2	5.1	5.5	5.8	5.9	
			8 MHz	2.8	3.1	3.3	3.4	1.7	2.0	2.1	2.1	
		1 MHz	0.3	0.6	0.6	1.3	0.2	0.5	0.8	0.8		
		Internal clock (HSI)	48 MHz	17.4	19.7	20.0	20.2	10.4	11.2	11.3	11.8	
			32 MHz	11.8	12.8	13.1	13.3	6.8	7.4	7.7	7.9	
			24 MHz	9.0	10.0	10.1	10.2	5.2	5.7	6.0	6.0	
	8 MHz		3.0	3.2	3.5	3.6	1.8	2.0	2.2	2.2		
	Supply current in Sleep mode, executing from Flash or RAM	External clock (HSE bypass)	48 MHz	10.7	11.7	11.9	12.5	2.4	2.6	2.7	2.9	
			32 MHz	7.1	7.8	8.1	8.2	1.6	1.7	1.9	1.9	
			24 MHz	5.5	6.3	6.4	6.4	1.3	1.4	1.5	1.5	
			8 MHz	1.8	2.0	2.0	2.1	0.4	0.4	0.5	0.5	
		1 MHz	0.2	0.5	0.5	0.5	0.1	0.1	0.1	0.1		
		Internal clock (HSI)	48 MHz	10.8	11.9	12.1	12.6	2.4	2.7	2.7	2.9	
32 MHz			7.3	8.0	8.4	8.5	1.7	1.9	1.9	2.0		
24 MHz			5.5	6.2	6.5	6.5	1.3	1.5	1.5	1.6		
8 MHz	1.9		2.2	2.3	2.4	0.5	0.5	0.5	0.6			

Table 21. Typical and maximum current consumption from the V_{DDA} supply

Symbol	Parameter	Conditions (1)	f_{HCLK}	$V_{DDA} = 2.4\text{ V}$				$V_{DDA} = 3.6\text{ V}$				Unit
				Typ	Max @ T_A (2)			Typ	Max @ T_A (2)			
					25 °C	85 °C	105 °C		25 °C	85 °C	105 °C	
I_{DDA}	Supply current in Run mode, code executing from Flash or RAM	HSE bypass, PLL on	48 MHz	150	170	178	182	164	183	195	198	μA
			32 MHz	104	121	126	128	113	129	135	138	
			24 MHz	82	96	100	103	88	102	106	108	
		HSE bypass, PLL off	8 MHz	2.0	2.7	3.1	3.3	3.5	3.8	4.1	4.4	
			1 MHz	2.0	2.7	3.1	3.3	3.5	3.8	4.1	4.4	
		HSI clock, PLL on	48 MHz	220	240	248	252	244	263	275	278	
			32 MHz	174	191	196	198	193	209	215	218	
			24 MHz	152	167	173	174	168	183	190	192	
		HSI clock, PLL off	8 MHz	72	79	82	83	83.5	91	94	95	
	Supply current in Sleep mode, code executing from Flash or RAM	HSE bypass, PLL on	48 MHz	150	170	178	182	164	183	195	198	
			32 MHz	104	121	126	128	113	129	135	138	
			24 MHz	82	96	100	103	88	102	106	108	
		HSE bypass, PLL off	8 MHz	2.0	2.7	3.1	3.3	3.5	3.8	4.1	4.4	
			1 MHz	2.0	2.7	3.1	3.3	3.5	3.8	4.1	4.4	
		HSI clock, PLL on	48 MHz	220	240	248	252	244	263	275	278	
			32 MHz	174	191	196	198	193	209	215	218	
			24 MHz	152	167	173	174	168	183	190	192	
		HSI clock, PLL off	8 MHz	72	79	82	83	83.5	91	94	95	

1. Current consumption from the V_{DDA} supply is independent of whether the peripherals are on or off. Furthermore when the PLL is off, I_{DDA} is independent from the frequency.
2. Data based on characterization results, not tested in production.

Table 22. Typical and maximum V_{DD} consumption in Stop and Standby modes

Symbol	Parameter	Conditions	Typ @ V_{DD} ($V_{DD} = V_{DDA}$)						Max ⁽¹⁾			Unit
			2.0 V	2.4 V	2.7 V	3.0 V	3.3 V	3.6 V	$T_A = 25\text{ }^\circ\text{C}$	$T_A = 85\text{ }^\circ\text{C}$	$T_A = 105\text{ }^\circ\text{C}$	
I_{DD}	Supply current in Stop mode	Regulator in run mode, all oscillators OFF	15	15.1	15.25	15.45	15.7	16	18 ⁽²⁾	38	55 ⁽²⁾	μA
		Regulator in low-power mode, all oscillators OFF	3.15	3.25	3.35	3.45	3.7	4	5.5 ⁽²⁾	22	41 ⁽²⁾	
	Supply current in Standby mode	LSI ON and IWDG ON	0.8	0.95	1.05	1.2	1.35	1.5	-	-	-	
		LSI OFF and IWDG OFF	0.65	0.75	0.85	0.95	1.1	1.3	2 ⁽²⁾	2.5	3 ⁽²⁾	

1. Data based on characterization results, not tested in production unless otherwise specified.

2. Data based on characterization results and tested in production.

Table 23. Typical and maximum V_{DDA} consumption in Stop and Standby modes

Symbol	Parameter	Conditions	Typ @ V_{DD} ($V_{DD} = V_{DDA}$)						Max ⁽¹⁾			Unit	
			2.0 V	2.4 V	2.7 V	3.0 V	3.3 V	3.6 V	$T_A = 25\text{ }^\circ\text{C}$	$T_A = 85\text{ }^\circ\text{C}$	$T_A = 105\text{ }^\circ\text{C}$		
I_{DDA}	Supply current in Stop mode	V_{DDA} monitoring ON	Regulator in run mode, all oscillators OFF	1.85	2	2.15	2.3	2.45	2.6	3.5	3.5	4.5	μA
			Regulator in low-power mode, all oscillators OFF	1.85	2	2.15	2.3	2.45	2.6	3.5	3.5	4.5	
	Supply current in Standby mode	V_{DDA} monitoring ON	LSI ON and IWDG ON	2.25	2.5	2.65	2.85	3.05	3.3	-	-	-	
			LSI OFF and IWDG OFF	1.75	1.9	2	2.15	2.3	2.5	3.5	3.5	4.5	
	Supply current in Stop mode	V_{DDA} monitoring OFF	Regulator in run mode, all oscillators OFF	1.11	1.15	1.18	1.22	1.27	1.35	-	-	-	
			Regulator in low-power mode, all oscillators OFF	1.11	1.15	1.18	1.22	1.27	1.35	-	-	-	
	Supply current in Standby mode	V_{DDA} monitoring OFF	LSI ON and IWDG ON	1.5	1.58	1.65	1.78	1.91	2.04	-	-	-	
			LSI OFF and IWDG OFF	1	1.02	1.05	1.05	1.15	1.22	-	-	-	

1. Data based on characterization results, not tested in production.

Table 24. Typical and maximum current consumption from V_{BAT} supply

Symbol	Parameter	Conditions	Typ @ V _{BAT}						Max ⁽¹⁾			Unit
			= 1.65 V	= 1.8 V	= 2.4 V	= 2.7 V	= 3.3 V	= 3.6 V	T _A = 25 °C	T _A = 85 °C	T _A = 105 °C	
I _{DD-VBAT}	Backup domain supply current	LSE & RTC ON; "Xtal mode": lower driving capability; LSEDRV[1:0] = '00'	0.41	0.43	0.53	0.58	0.71	0.80	0.85	1.1	1.5	μA
		LSE & RTC ON; "Xtal mode" higher driving capability; LSEDRV[1:0] = '11'	0.71	0.75	0.85	0.91	1.06	1.16	1.25	1.55	2	

1. Data based on characterization results, not tested in production.

Typical current consumption

The MCU is placed under the following conditions:

- V_{DD}=V_{DDA}=3.3 V
- All I/O pins are in analog input configuration
- The Flash access time is adjusted to f_{HCLK} frequency (0 wait states from 0 to 24 MHz, 1 wait state above)
- Prefetch is ON when the peripherals are enabled, otherwise it is OFF
- When the peripherals are enabled, f_{PCLK} = f_{HCLK}
- PLL is used for frequencies greater than 8 MHz
- AHB prescaler of 2, 4, 8 and 16 is used for the frequencies 4 MHz, 2 MHz, 1 MHz and 500 kHz respectively
- A development tool is connected to the board and the parasitic pull-up current is around 30 μA

Table 25. Typical current consumption in Run mode, code with data processing running from Flash

Symbol	Parameter	Conditions	f _{HCLK}	Typ		Unit
				Peripherals enabled	Peripherals disabled	
I _{DD}	Supply current in Run mode from V _{DD} supply	Running from HSE crystal clock 8 MHz, code executing from Flash	48 MHz	18.4	11.4	mA
			36 MHz	13.9	8.9	
			32 MHz	12.4	7.9	
			24 MHz	9.9	6.2	
			16 MHz	6.6	4.3	
			8 MHz	3.3	2.2	
			4 MHz	1.7	1.6	
			2 MHz	1.3	1.2	
			1 MHz	0.8	0.7	
			500 kHz	0.6	0.6	
I _{DDA}	Supply current in Run mode from V _{DDA} supply	Running from HSE crystal clock 8 MHz, code executing from Flash	48 MHz	140	140	μA
			36 MHz	109	109	
			32 MHz	96	96	
			24 MHz	76	76	
			16 MHz	51	51	
			8 MHz	1.7	1.7	
			4 MHz	1.6	1.6	
			2 MHz	1.5	1.5	
			1 MHz	1.1	1.1	
			500 kHz	1.1	1.1	

Table 26. Typical current consumption in Sleep mode, code running from Flash or RAM

Symbol	Parameter	Conditions	f _{HCLK}	Typ		Unit
				Peripherals enabled	Peripherals disabled	
I _{DD}	Supply current in Sleep mode from V _{DD} supply	Running from HSE crystal clock 8 MHz, code executing from Flash or RAM	48 MHz	10.7	2.4	mA
			36 MHz	8.1	1.8	
			32 MHz	7.1	1.6	
			24 MHz	5.5	1.3	
			16 MHz	3.7	0.9	
			8 MHz	1.9	0.5	
			4 MHz	1.5	0.4	
			2 MHz	1.1	0.3	
			1 MHz	0.8	0.3	
			500 kHz	0.6	0.3	
			125 kHz	0.5	0.3	
I _{D_{DA}}	Supply current in Sleep mode from V _{D_{DA}} supply	Running from HSE crystal clock 8 MHz, code executing from Flash or RAM	48 MHz	140	140	μA
			36 MHz	109	109	
			32 MHz	96	96	
			24 MHz	76	76	
			16 MHz	51	51	
			8 MHz	1.7	1.7	
			4 MHz	1.6	1.6	
			2 MHz	1.5	1.5	
			1 MHz	1.1	1.1	
			500 kHz	1.1	1.1	
			125 kHz	1.1	1.1	

I/O system current consumption

The current consumption of the I/O system has two components: static and dynamic.

I/O static current consumption

All the I/Os used as inputs with pull-up generate current consumption when the pin is externally held low. The value of this current consumption can be simply computed by using the pull-up/pull-down resistors values given in [Table 45: I/O static characteristics](#).

For the output pins, any external pull-down or external load must also be considered to estimate the current consumption.

Additional I/O current consumption is due to I/Os configured as inputs if an intermediate voltage level is externally applied. This current consumption is caused by the input Schmitt trigger circuits used to discriminate the input value. Unless this specific configuration is required by the application, this supply current consumption can be avoided by configuring these I/Os in analog mode. This is notably the case of ADC input pins which should be configured as analog inputs.

Caution: Any floating input pin can also settle to an intermediate voltage level or switch inadvertently, as a result of external electromagnetic noise. To avoid current consumption related to floating pins, they must either be configured in analog mode, or forced internally to a definite digital value. This can be done either by using pull-up/down resistors or by configuring the pins in output mode.

I/O dynamic current consumption

In addition to the internal peripheral current consumption measured previously (see [Table 28: Peripheral current consumption](#)), the I/Os used by an application also contribute to the current consumption. When an I/O pin switches, it uses the current from the MCU supply voltage to supply the I/O pin circuitry and to charge/discharge the capacitive load (internal or external) connected to the pin:

$$I_{SW} = V_{DD} \times f_{SW} \times C$$

where

I_{SW} is the current sunk by a switching I/O to charge/discharge the capacitive load

V_{DD} is the MCU supply voltage

f_{SW} is the I/O switching frequency

C is the total capacitance seen by the I/O pin: $C = C_{INT} + C_{EXT} + C_S$

C_S is the PCB board capacitance including the pad pin.

The test pin is configured in push-pull output mode and is toggled by software at a fixed frequency.

Table 27. Switching output I/O current consumption

Symbol	Parameter	Conditions ⁽¹⁾	I/O toggling frequency (f _{sw})	Typ	Unit
I _{sw}	I/O current consumption	V _{DD} = 3.3 V C = C _{INT}	4 MHz	0.07	mA
			8 MHz	0.15	
			16 MHz	0.31	
			24 MHz	0.53	
			48 MHz	0.92	
		V _{DD} = 3.3 V C _{EXT} = 0 pF C = C _{INT} + C _{EXT} + C _S	4 MHz	0.18	
			8 MHz	0.37	
			16 MHz	0.76	
			24 MHz	1.39	
			48 MHz	2.188	
		V _{DD} = 3.3 V C _{EXT} = 10 pF C = C _{INT} + C _{EXT} + C _S	4 MHz	0.32	
			8 MHz	0.64	
			16 MHz	1.25	
			24 MHz	2.23	
		V _{DD} = 3.3 V C _{EXT} = 22 pF C = C _{INT} + C _{EXT} + C _S	4 MHz	4.442	
			8 MHz	0.49	
			16 MHz	0.94	
			24 MHz	2.38	
		V _{DD} = 3.3 V C _{EXT} = 33 pF C = C _{INT} + C _{EXT} + C _S	4 MHz	3.99	
			8 MHz	0.64	
			16 MHz	1.25	
			24 MHz	3.24	
		V _{DD} = 3.3 V C _{EXT} = 47 pF C = C _{INT} + C _{EXT} + C _S C = C _{int}	4 MHz	5.02	
			8 MHz	1.7	
16 MHz	3.67				
V _{DD} = 2.4 V C _{EXT} = 47 pF C = C _{INT} + C _{EXT} + C _S C = C _{int}	4 MHz	0.81			
	8 MHz	0.66			
	16 MHz	1.43			
	24 MHz	2.45			
			4.97		

1. C_S = 7 pF (estimated value).

On-chip peripheral current consumption

The current consumption of the on-chip peripherals is given in [Table 28](#). The MCU is placed under the following conditions:

- all I/O pins are in input mode with a static value at V_{DD} or V_{SS} (no load)
- all peripherals are disabled unless otherwise mentioned
- the given value is calculated by measuring the current consumption
 - with all peripherals clocked off
 - with only one peripheral clocked on
- ambient operating temperature and V_{DD} supply voltage conditions summarized in [Table 12: Voltage characteristics](#)

Table 28. Peripheral current consumption

Peripheral	Typical consumption at 25 °C		Unit
	I_{DD}	I_{DDA}	
ADC ⁽¹⁾	0.53	0.964	mA
CRC	0.10	-	
DBGMCU	0.18	-	
DMA	0.35	-	
GPIOA	0.48	-	
GPIOB	0.58	-	
GPIOC	0.12	-	
GPIOF	0.06	-	
I2C1	0.43	-	
PWR	0.22	-	
SPI1/I2S1	0.63	-	
SYSCFG	0.28	-	
TIM1	1.01	-	
TIM2	1.00	-	
TIM3	0.78	-	
TIM6	0.32	-	
TIM14	0.45	-	
TIM16	0.57	-	
TIM17	0.59	-	
USART1	1.07	-	
WWDG	0.22	-	

1. ADC is in ready state after setting the ADEN bit in the ADC_CR register (ADRDY bit in ADC_ISR is high).

6.3.6 External clock source characteristics

High-speed external user clock generated from an external source

In bypass mode the HSE oscillator is switched off and the input pin is a standard GPIO.

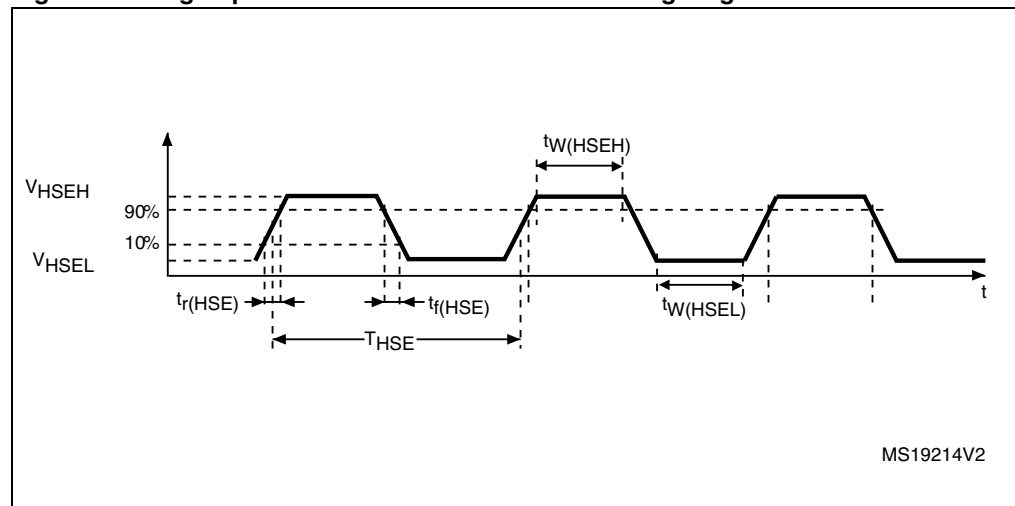
The external clock signal has to respect the I/O characteristics in [Section 6.3.13](#). However, the recommended clock input waveform is shown in [Figure 12: High-speed external clock source AC timing diagram](#).

Table 29. High-speed external user clock characteristics

Symbol	Parameter ⁽¹⁾	Conditions	Min	Typ	Max	Unit
$f_{\text{HSE_ext}}$	User external clock source frequency		1	8	32	MHz
V_{HSEH}	OSC_IN input pin high level voltage		$0.7V_{\text{DD}}$	-	V_{DD}	V
V_{HSEL}	OSC_IN input pin low level voltage		V_{SS}	-	$0.3V_{\text{DD}}$	
$t_{\text{w}}(\text{HSEH})$ $t_{\text{w}}(\text{HSEL})$	OSC_IN high or low time		15	-	-	ns
$t_{\text{r}}(\text{HSE})$ $t_{\text{f}}(\text{HSE})$	OSC_IN rise or fall time		-	-	20	

1. Guaranteed by design, not tested in production.

Figure 12. High-speed external clock source AC timing diagram



Low-speed external user clock generated from an external source

In bypass mode the LSE oscillator is switched off and the input pin is a standard GPIO.

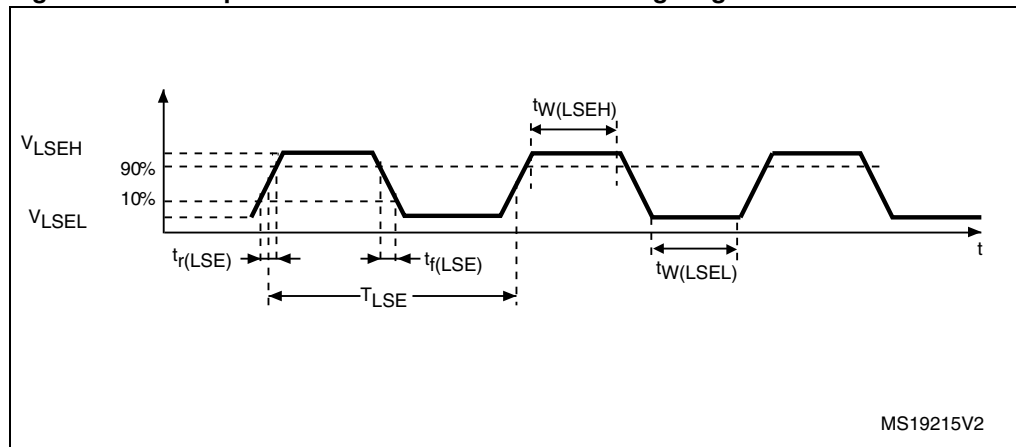
The external clock signal has to respect the I/O characteristics in [Section 6.3.13](#). However, the recommended clock input waveform is shown in [Figure 13](#).

Table 30. Low-speed external user clock characteristics

Symbol	Parameter ⁽¹⁾	Conditions	Min	Typ	Max	Unit
f_{LSE_ext}	User External clock source frequency		-	32.768	1000	kHz
V_{LSEH}	OSC32_IN input pin high level voltage		$0.7V_{DD}$	-	V_{DD}	V
V_{LSEL}	OSC32_IN input pin low level voltage		V_{SS}	-	$0.3V_{DD}$	
$t_{w(LSEH)}$ $t_{w(LSEL)}$	OSC32_IN high or low time		450	-	-	ns
$t_r(LSE)$ $t_f(LSE)$	OSC32_IN rise or fall time		-	-	50	

1. Guaranteed by design, not tested in production.

Figure 13. Low-speed external clock source AC timing diagram



MS19215V2

High-speed external clock generated from a crystal/ceramic resonator

The high-speed external (HSE) clock can be supplied with a 4 to 32 MHz crystal/ceramic resonator oscillator. All the information given in this paragraph are based on design simulation results obtained with typical external components specified in [Table 31](#). In the application, the resonator and the load capacitors have to be placed as close as possible to the oscillator pins in order to minimize output distortion and startup stabilization time. Refer to the crystal resonator manufacturer for more details on the resonator characteristics (frequency, package, accuracy).

Table 31. HSE oscillator characteristics

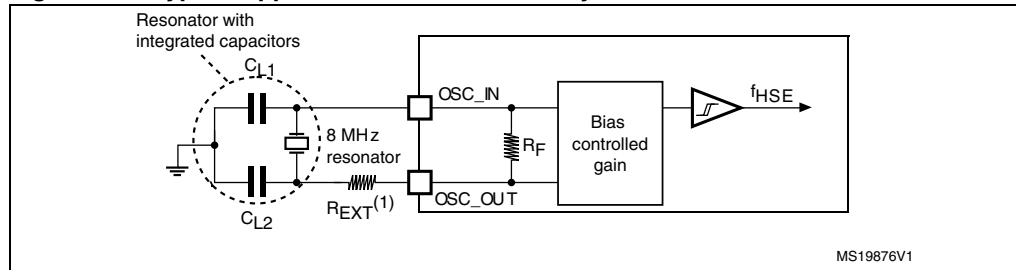
Symbol	Parameter	Conditions ⁽¹⁾	Min ⁽²⁾	Typ	Max ⁽²⁾	Unit
f _{OSC_IN}	Oscillator frequency		4	8	32	MHz
R _F	Feedback resistor		-	200	-	kΩ
I _{DD}	HSE current consumption	During startup ⁽³⁾	-		8.5	mA
		V _{DD} =3.3 V, R _m = 30Ω, CL=10 pF@8 MHz	-	0.4	-	
		V _{DD} =3.3 V, R _m = 45Ω, CL=10 pF@8 MHz	-	0.5	-	
		V _{DD} =3.3 V, R _m = 30Ω, CL=5 pF@32 MHz	-	0.8	-	
		V _{DD} =3.3 V, R _m = 30Ω, CL=10 pF@32 MHz	-	1	-	
		V _{DD} =3.3 V, R _m = 30Ω, CL=20 pF@32 MHz	-	1.5	-	
g _m	Oscillator transconductance	Startup	10	-	-	mA/V
t _{SU(HSE)} ⁽⁴⁾	Startup time	V _{DD} is stabilized	-	2	-	ms

1. Resonator characteristics given by the crystal/ceramic resonator manufacturer.
2. Guaranteed by design, not tested in production.
3. This consumption level occurs during the first 2/3 of the t_{SU(HSE)} startup time
4. t_{SU(HSE)} is the startup time measured from the moment it is enabled (by software) to a stabilized 8 MHz oscillation is reached. This value is measured for a standard crystal resonator and it can vary significantly with the crystal manufacturer

For C_{L1} and C_{L2}, it is recommended to use high-quality external ceramic capacitors in the 5 pF to 20 pF range (typ.), designed for high-frequency applications, and selected to match the requirements of the crystal or resonator (see [Figure 14](#)). C_{L1} and C_{L2} are usually the same size. The crystal manufacturer typically specifies a load capacitance which is the series combination of C_{L1} and C_{L2}. PCB and MCU pin capacitance must be included (10 pF can be used as a rough estimate of the combined pin and board capacitance) when sizing C_{L1} and C_{L2}.

Note: For information on electing the crystal, refer to the application note AN2867 "Oscillator design guide for ST microcontrollers" available from the ST website www.st.com.

Figure 14. Typical application with an 8 MHz crystal



1. R_{EXT} value depends on the crystal characteristics.

Low-speed external clock generated from a crystal resonator

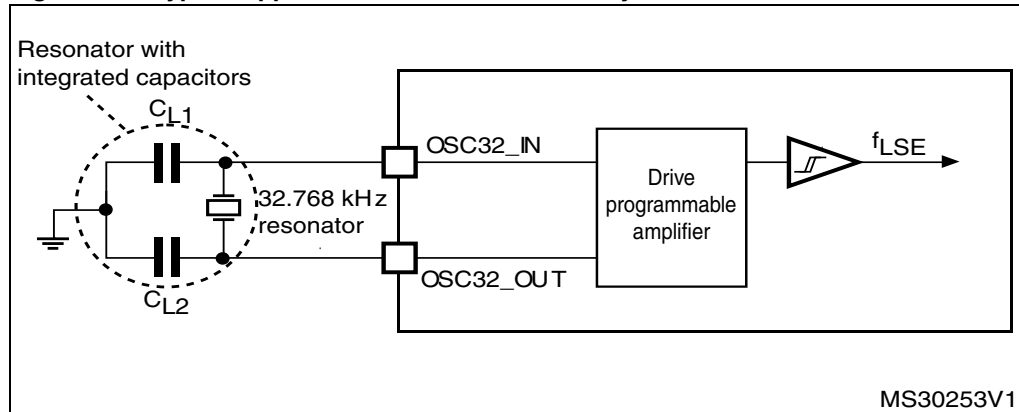
The low-speed external (LSE) clock can be supplied with a 32.768 kHz crystal resonator oscillator. All the information given in this paragraph are based on design simulation results obtained with typical external components specified in [Table 32](#). In the application, the resonator and the load capacitors have to be placed as close as possible to the oscillator pins in order to minimize output distortion and startup stabilization time. Refer to the crystal resonator manufacturer for more details on the resonator characteristics (frequency, package, accuracy).

Table 32. LSE oscillator characteristics ($f_{LSE} = 32.768$ kHz)

Symbol	Parameter	Conditions ⁽¹⁾	Min ⁽²⁾	Typ	Max ⁽²⁾	Unit
I_{DD}	LSE current consumption	LSEDRV[1:0]=00 lower driving capability	-	0.5	0.9	μA
		LSEDRV[1:0]= 01 medium low driving capability	-	-	1	
		LSEDRV[1:0] = 10 medium high driving capability	-	-	1.3	
		LSEDRV[1:0]=11 higher driving capability	-	-	1.6	
g_m	Oscillator transconductance	LSEDRV[1:0]=00 lower driving capability	5	-	-	$\mu A/V$
		LSEDRV[1:0]= 01 medium low driving capability	8	-	-	
		LSEDRV[1:0] = 10 medium high driving capability	15	-	-	
		LSEDRV[1:0]=11 higher driving capability	25	-	-	
$t_{SU(LSE)}$ ⁽³⁾	Startup time	V_{DD} is stabilized	-	2	-	s

1. Refer to the note and caution paragraphs below the table, and to the application note AN2867 “Oscillator design guide for ST microcontrollers”.
2. Guaranteed by design, not tested in production.
3. $t_{SU(LSE)}$ is the startup time measured from the moment it is enabled (by software) to a stabilized 32.768 kHz oscillation is reached. This value is measured for a standard crystal and it can vary significantly with the crystal manufacturer

Note: For information on selecting the crystal, refer to the application note AN2867 “Oscillator design guide for ST microcontrollers” available from the ST website www.st.com.

Figure 15. Typical application with a 32.768 kHz crystal

Note: An external resistor is not required between $OSC32_IN$ and $OSC32_OUT$ and it is forbidden to add one.

6.3.7 Internal clock source characteristics

The parameters given in [Table 33](#) are derived from tests performed under ambient temperature and supply voltage conditions summarized in [Table 15: General operating conditions](#). The provided curves are characterization results, not tested in production.

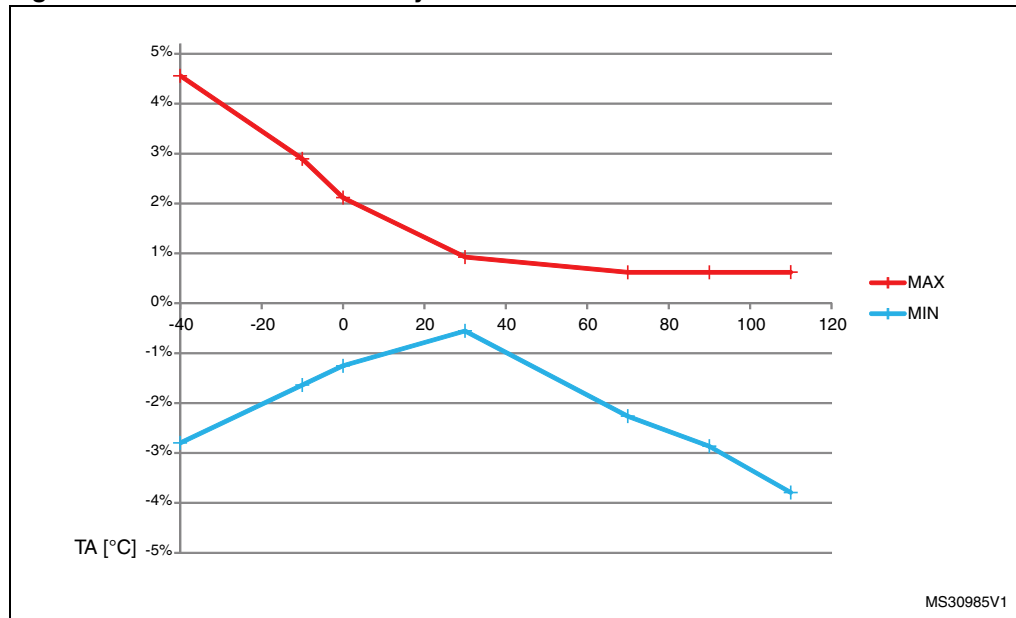
High-speed internal (HSI) RC oscillator

Table 33. HSI oscillator characteristics⁽¹⁾

Symbol	Parameter	Conditions	Min	Typ	Max	Unit
f_{HSI}	Frequency		-	8		MHz
TRIM	HSI user trimming step		-	-	1 ⁽²⁾	%
DuCy _(HSI)	Duty cycle		45 ⁽²⁾	-	55 ⁽²⁾	%
ACC _{HSI}	Accuracy of the HSI oscillator (factory calibrated)	T _A = -40 to 105 °C	-3.8 ⁽³⁾	-	4.6 ⁽³⁾	%
		T _A = -10 to 85 °C	-2.9 ⁽³⁾	-	2.9 ⁽³⁾	%
		T _A = 0 to 70 °C	-2.3 ⁽³⁾	-	2.2 ⁽³⁾	%
		T _A = 25 °C	-1	-	1	%
t _{su(HSI)}	HSI oscillator startup time		1 ⁽²⁾	-	2 ⁽²⁾	µs
I _{DDA(HSI)}	HSI oscillator power consumption		-	80	100 ⁽²⁾	µA

1. V_{DDA} = 3.3 V, T_A = -40 to 105 °C unless otherwise specified.
2. Guaranteed by design, not tested in production.
3. Data based on characterization results, not tested in production.

Figure 16. HSI oscillator accuracy characterization results



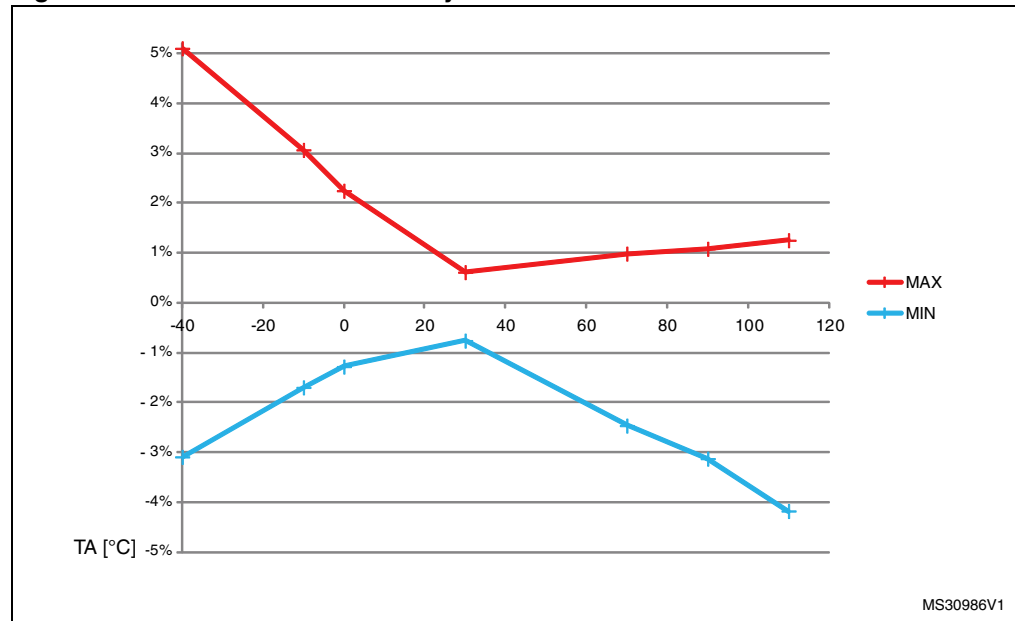
High-speed internal 14 MHz (HSI14) RC oscillator (dedicated to ADC)

Table 34. HSI14 oscillator characteristics⁽¹⁾

Symbol	Parameter	Conditions	Min	Typ	Max	Unit
f_{HSI14}	Frequency		-	14		MHz
TRIM	HSI14 user-trimming step		-	-	1 ⁽²⁾	%
$\text{DuCy}_{(\text{HSI14})}$	Duty cycle		45 ⁽²⁾	-	55 ⁽²⁾	%
$\text{ACC}_{\text{HSI14}}$	Accuracy of the HSI14 oscillator (factory calibrated)	$T_A = -40$ to 105 °C	-4.2 ⁽³⁾	-	5.1 ⁽³⁾	%
		$T_A = -10$ to 85 °C	-3.2 ⁽³⁾	-	3.1 ⁽³⁾	%
		$T_A = 0$ to 70 °C	-2.5 ⁽³⁾	-	2.3 ⁽³⁾	%
		$T_A = 25$ °C	-1	-	1	%
$t_{\text{su}(\text{HSI14})}$	HSI14 oscillator startup time		1 ⁽²⁾	-	2 ⁽²⁾	μs
$I_{\text{DDA}(\text{HSI14})}$	HSI14 oscillator power consumption		-	100	150 ⁽²⁾	μA

- $V_{\text{DDA}} = 3.3$ V, $T_A = -40$ to 105 °C unless otherwise specified.
- Guaranteed by design, not tested in production.
- Data based on characterization results, not tested in production.

Figure 17. HSI14 oscillator accuracy characterization results



Low-speed internal (LSI) RC oscillator

Table 35. LSI oscillator characteristics⁽¹⁾

Symbol	Parameter	Min	Typ	Max	Unit
f_{LSI}	Frequency	30	40	50	kHz
$t_{su(LSI)}^{(2)}$	LSI oscillator startup time	-	-	85	μ s
$I_{DDA(LSI)}^{(2)}$	LSI oscillator power consumption	-	0.75	1.2	μ A

1. $V_{DDA} = 3.3$ V, $T_A = -40$ to 105 °C unless otherwise specified.

2. Guaranteed by design, not tested in production.

Wakeup time from low-power mode

The wakeup times given in [Table 36](#) is measured on a wakeup phase with a 8-MHz HSI RC oscillator. The event used to wake up the device depends from the current operating mode:

- Stop or sleep mode: the wakeup event is WFE.
- The wakeup pin used in sleep, stop and standby modes is PA0.

All timings are derived from tests performed under ambient temperature and V_{DD} supply voltage conditions summarized in [Table 15: General operating conditions](#).

Table 36. Low-power mode wakeup timings

Symbol	Parameter	Conditions	Typ @V _{DD}					Max	Unit
			= 2.0 V	= 2.4 V	= 2.7 V	= 3 V	= 3.3 V		
t_{WUSTOP}	Wakeup from Stop mode	Regulator in run mode	4.2	4.2	4.2	4.2	4.2	5	μ s
		Regulator in low power mode	8.05	7.05	6.6	6.27	6.05	9	
$t_{WUSTANDBY}$	Wakeup from Standby mode		60.35	55.6	53.5	52.02	50.96		
$t_{WUSLEEP}$	Wakeup from Sleep mode		1.1	1.1	1.1	1.1	1.1		

6.3.8 PLL characteristics

The parameters given in [Table 37](#) are derived from tests performed under ambient temperature and supply voltage conditions summarized in [Table 15: General operating conditions](#).

Table 37. PLL characteristics

Symbol	Parameter	Value			Unit
		Min	Typ	Max	
f _{PLL_IN}	PLL input clock ⁽¹⁾	1 ⁽²⁾	8.0	24 ⁽²⁾	MHz
	PLL input clock duty cycle	40 ⁽²⁾	-	60 ⁽²⁾	%
f _{PLL_OUT}	PLL multiplier output clock	16 ⁽²⁾	-	48	MHz
t _{LOCK}	PLL lock time	-	-	200 ⁽²⁾	μs
Jitter _{PLL}	Cycle-to-cycle jitter	-	-	300 ⁽²⁾	ps

1. Take care to use the appropriate multiplier factors to obtain PLL input clock values compatible with the range defined by f_{PLL_OUT}.

2. Guaranteed by design, not tested in production.

6.3.9 Memory characteristics

Flash memory

The characteristics are given at $T_A = -40$ to 105 °C unless otherwise specified.

Table 38. Flash memory characteristics

Symbol	Parameter	Conditions	Min	Typ	Max ⁽¹⁾	Unit
t_{prog}	16-bit programming time	$T_A = -40$ to $+105$ °C	40	53.5	60	µs
t_{ERASE}	Page (1 KB) erase time	$T_A = -40$ to $+105$ °C	20	-	40	ms
t_{ME}	Mass erase time	$T_A = -40$ to $+105$ °C	20	-	40	ms
I_{DD}	Supply current	Write mode	-	-	10	mA
		Erase mode	-	-	12	mA

1. Guaranteed by design, not tested in production.

Table 39. Flash memory endurance and data retention

Symbol	Parameter	Conditions	Value	Unit
			Min ⁽¹⁾	
N_{END}	Endurance	$T_A = -40$ to $+85$ °C (6 suffix versions) $T_A = -40$ to $+105$ °C (7 suffix versions)	10	kcycles
t_{RET}	Data retention	1 kcycle ⁽²⁾ at $T_A = 85$ °C	30	Years
		1 kcycle ⁽²⁾ at $T_A = 105$ °C	10	
		10 kcycles ⁽²⁾ at $T_A = 55$ °C	20	

1. Data based on characterization results, not tested in production.

2. Cycling performed over the whole temperature range.

6.3.10 EMC characteristics

Susceptibility tests are performed on a sample basis during device characterization.

Functional EMS (electromagnetic susceptibility)

While a simple application is executed on the device (toggling 2 LEDs through I/O ports), the device is stressed by two electromagnetic events until a failure occurs. The failure is indicated by the LEDs:

- **Electrostatic discharge (ESD)** (positive and negative) is applied to all device pins until a functional disturbance occurs. This test is compliant with the IEC 61000-4-2 standard.
- **FTB:** A Burst of Fast Transient voltage (positive and negative) is applied to V_{DD} and V_{SS} through a 100 pF capacitor, until a functional disturbance occurs. This test is compliant with the IEC 61000-4-4 standard.

A device reset allows normal operations to be resumed.

The test results are given in [Table 40](#). They are based on the EMS levels and classes defined in application note AN1709.

Table 40. EMS characteristics

Symbol	Parameter	Conditions	Level/Class
V_{FESD}	Voltage limits to be applied on any I/O pin to induce a functional disturbance	$V_{DD} = 3.3\text{ V}$, LQFP64, $T_A = +25\text{ }^\circ\text{C}$, $f_{HCLK} = 48\text{ MHz}$ conforms to IEC 61000-4-2	2B
V_{EFTB}	Fast transient voltage burst limits to be applied through 100 pF on V_{DD} and V_{SS} pins to induce a functional disturbance	$V_{DD} = 3.3\text{ V}$, LQFP64, $T_A = +25\text{ }^\circ\text{C}$, $f_{HCLK} = 48\text{ MHz}$ conforms to IEC 61000-4-4	3B

Designing hardened software to avoid noise problems

EMC characterization and optimization are performed at component level with a typical application environment and simplified MCU software. It should be noted that good EMC performance is highly dependent on the user application and the software in particular.

Therefore it is recommended that the user applies EMC software optimization and prequalification tests in relation with the EMC level requested for his application.

Software recommendations

The software flowchart must include the management of runaway conditions such as:

- Corrupted program counter
- Unexpected reset
- Critical Data corruption (control registers...)

Prequalification trials

Most of the common failures (unexpected reset and program counter corruption) can be reproduced by manually forcing a low state on the NRST pin or the Oscillator pins for 1 second.

To complete these trials, ESD stress can be applied directly on the device, over the range of specification values. When unexpected behavior is detected, the software can be hardened to prevent unrecoverable errors occurring (see application note AN1015).

Electromagnetic Interference (EMI)

The electromagnetic field emitted by the device are monitored while a simple application is executed (toggling 2 LEDs through the I/O ports). This emission test is compliant with IEC 61967-2 standard which specifies the test board and the pin loading.

Table 41. EMI characteristics

Symbol	Parameter	Conditions	Monitored frequency band	Max vs. [f_{HSE}/f_{HCLK}]	Unit
				8/48 MHz	
S_{EMI}	Peak level	$V_{DD} = 3.6\text{ V}$, $T_A = 25\text{ }^\circ\text{C}$, LQFP64 package compliant with IEC 61967-2	0.1 to 30 MHz	-3	dB μ V
			30 to 130 MHz	28	
			130 MHz to 1GHz	23	
			SAE EMI Level	4	-

6.3.11 Electrical sensitivity characteristics

Based on three different tests (ESD, LU) using specific measurement methods, the device is stressed in order to determine its performance in terms of electrical sensitivity.

Electrostatic discharge (ESD)

Electrostatic discharges (a positive then a negative pulse separated by 1 second) are applied to the pins of each sample according to each pin combination. The sample size depends on the number of supply pins in the device (3 parts \times (n+1) supply pins). This test conforms to the JESD22-A114/C101 standard.

Table 42. ESD absolute maximum ratings

Symbol	Ratings	Conditions	Class	Maximum value ⁽¹⁾	Unit
$V_{ESD(HBM)}$	Electrostatic discharge voltage (human body model)	$T_A = +25\text{ }^\circ\text{C}$, conforming to JESD22-A114	2	2000	V
$V_{ESD(CDM)}$	Electrostatic discharge voltage (charge device model)	$T_A = +25\text{ }^\circ\text{C}$, conforming to JESD22-C101	II	500	

1. Data based on characterization results, not tested in production.

Static latch-up

Two complementary static tests are required on six parts to assess the latch-up performance:

- A supply overvoltage is applied to each power supply pin
- A current injection is applied to each input, output and configurable I/O pin

These tests are compliant with EIA/JESD 78A IC latch-up standard.

Table 43. Electrical sensitivities

Symbol	Parameter	Conditions	Class
LU	Static latch-up class	$T_A = +105\text{ }^\circ\text{C}$ conforming to JESD78A	II level A

6.3.12 I/O current injection characteristics

As a general rule, current injection to the I/O pins, due to external voltage below V_{SS} or above V_{DD} (for standard, 3 V-capable I/O pins) should be avoided during normal product operation. However, in order to give an indication of the robustness of the microcontroller in cases when abnormal injection accidentally happens, susceptibility tests are performed on a sample basis during device characterization.

Functional susceptibility to I/O current injection

While a simple application is executed on the device, the device is stressed by injecting current into the I/O pins programmed in floating input mode. While current is injected into the I/O pin, one at a time, the device is checked for functional failures.

The failure is indicated by an out of range parameter: ADC error above a certain limit (more than 5 LSB TUE), out of conventional limits of current injection on adjacent pins (more than $-5\text{ }\mu\text{A}$) or other functional failure (reset occurrence or oscillator frequency deviation, for example).

The characterization results are given in [Table 44](#).

Table 44. I/O current injection susceptibility

Symbol	Description	Functional susceptibility		Unit
		Negative injection	Positive injection	
I _{INJ}	Injected current on BOOT0	-0	NA	mA
	Injected current on all FT and FTf pins with induced leakage current on adjacent pins less than -5 μ A	-5	NA	
	Injected current on all TTa pins with induced leakage current on adjacent pins less than -5 μ A	-5	+5	
	Injected current on all TC & RESET pins with induced leakage current on adjacent pins less than -5 μ A	-5	+5	

6.3.13 I/O port characteristics

General input/output characteristics

Unless otherwise specified, the parameters given in [Table 45](#) are derived from tests performed under the conditions summarized in [Table 15: General operating conditions](#). All I/Os are CMOS and TTL compliant.

Table 45. I/O static characteristics

Symbol	Parameter	Conditions	Min	Typ	Max	Unit
V_{IL}	Low level input voltage	TC and TTa I/O	-	-	$0.3 V_{DD}+0.07^{(1)}$	V
		FT and FTf I/O	-	-	$0.475 V_{DD}-0.2^{(1)}$	
		BOOT0	-	-	$0.3 V_{DD}-0.3^{(1)}$	
		All I/Os except BOOT0 pin	-	-	$0.3 V_{DD}$	
V_{IH}	High level input voltage	TC and TTa I/O	$0.445 V_{DD}+0.398^{(1)}$	-	-	V
		FT and FTf I/O	$0.5 V_{DD}+0.2^{(1)}$	-	-	
		BOOT0	$0.2 V_{DD}+0.95^{(1)}$	-	-	
		All I/Os except BOOT0 pin	$0.7 V_{DD}$	-	-	
V_{hys}	Schmitt trigger hysteresis	TC and TTa I/O	-	$200^{(1)}$	-	mV
		FT and FTf I/O	-	$100^{(1)}$	-	
		BOOT0	-	$300^{(1)}$	-	
I_{lkg}	Input leakage current ⁽²⁾	$V_{SS} \leq V_{IN} \leq V_{DD}$ I/O TC, FT and FTf	-	-	± 0.1	μA
		$V_{SS} \leq V_{IN} \leq V_{DD}$ $2 V \leq V_{DD} \leq V_{DDA} \leq 3.6 V$ I/O TTa used in digital mode	-	-	± 0.1	
		$V_{IN} = 5 V$ I/O FT and FTf	-	-	10	
		$V_{IN} = 3.6 V$, $2 V \leq V_{DD} \leq V_{IN}$ $V_{DDA} = 3.6 V$ I/O TTa used in digital mode	-	-	1	
		$V_{SS} \leq V_{IN} \leq V_{DDA}$ $2 V \leq V_{DD} \leq V_{DDA} \leq 3.6 V$ I/O TTa used in analog mode	-	-	± 0.2	
R_{PU}	Weak pull-up equivalent resistor ⁽³⁾	$V_{IN} = V_{SS}$	25	40	55	k Ω

Table 45. I/O static characteristics (continued)

Symbol	Parameter	Conditions	Min	Typ	Max	Unit
R_{PD}	Weak pull-down equivalent resistor ⁽³⁾	$V_{IN} = V_{DD}$	25	40	55	$k\Omega$
C_{IO}	I/O pin capacitance		-	5	-	pF

1. Data based on design simulation only. Not tested in production.
2. Leakage could be higher than maximum value, if negative current is injected on adjacent pins.
3. Pull-up and pull-down resistors are designed with a true resistance in series with a switchable PMOS/NMOS. This MOS/NMOS contribution to the series resistance is minimum (~10% order).

All I/Os are CMOS and TTL compliant (no software configuration required). Their characteristics cover more than the strict CMOS-technology or TTL parameters. The coverage of these requirements is shown in *Figure 18* and *Figure 19* for standard I/Os, and in *Figure 20* and *Figure 21* for 5 V tolerant I/Os. The following curves are design simulation results, not tested in production.

Figure 18. TC and TtA I/O input characteristics - CMOS port

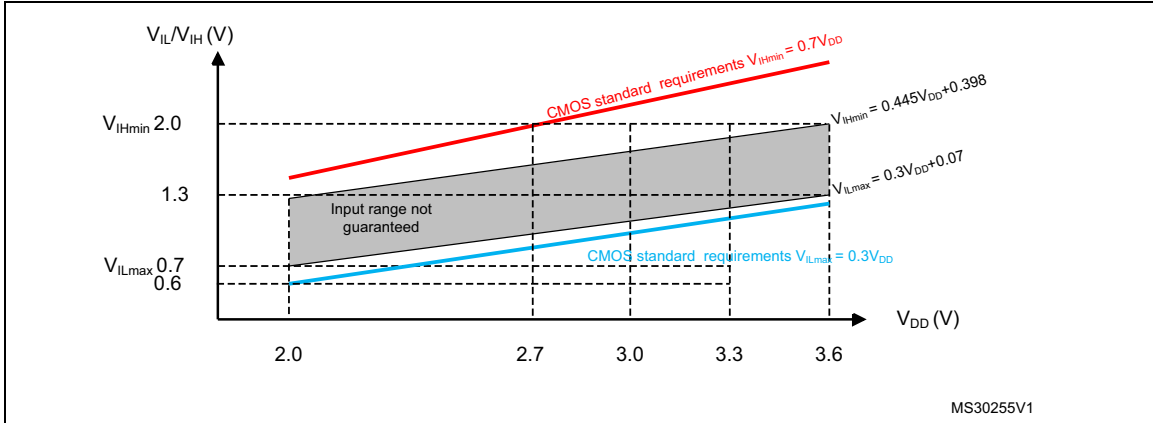


Figure 19. TC and TtA I/O input characteristics - TTL port

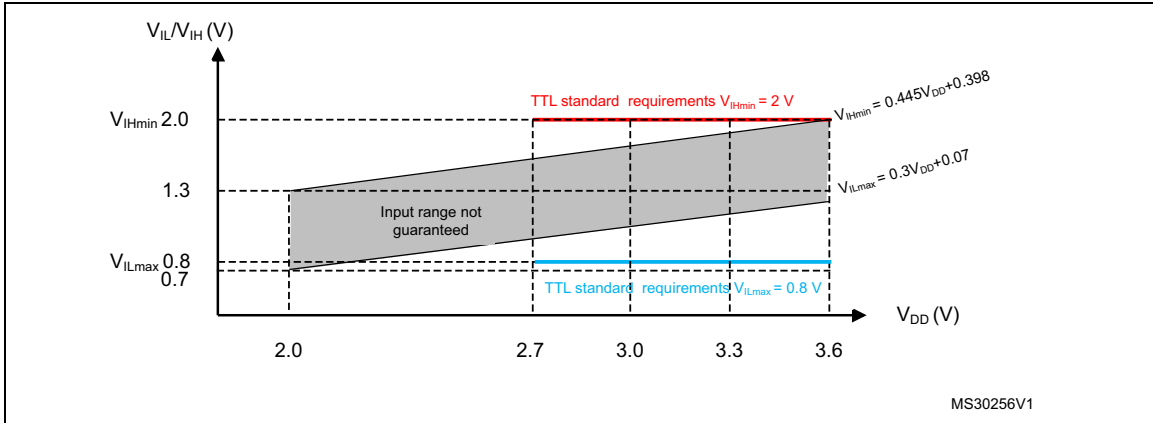


Figure 20. Five volt tolerant (FT and FTf) I/O input characteristics - CMOS port

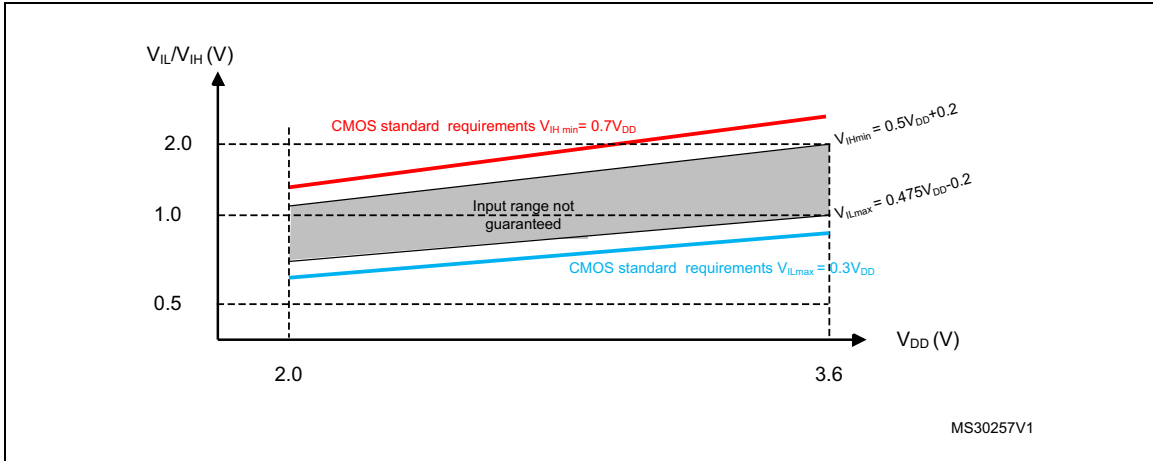
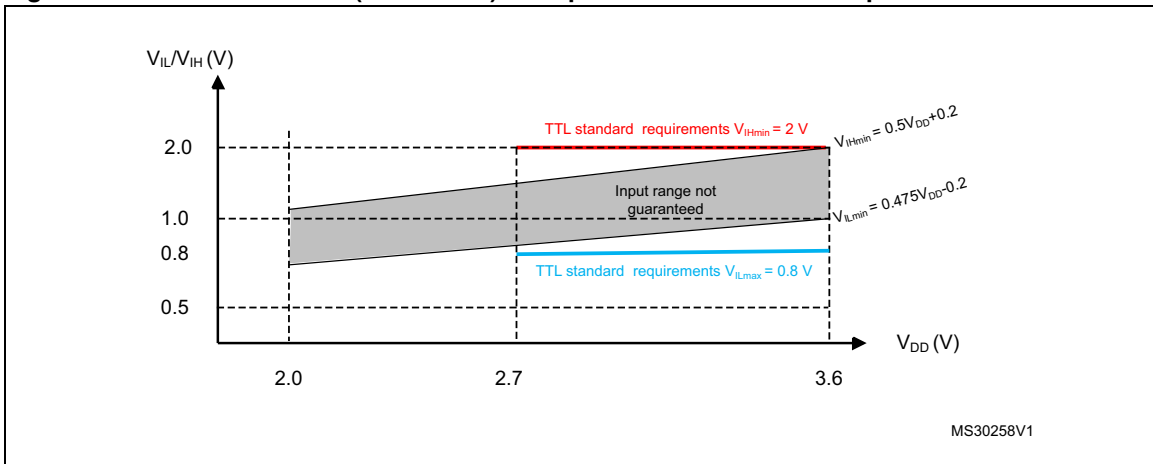


Figure 21. Five volt tolerant (FT and FTf) I/O input characteristics - TTL port



Output driving current

The GPIOs (general purpose input/outputs) can sink or source up to +/-8 mA, and sink or source up to +/- 20 mA (with a relaxed V_{OL}/V_{OH}).

In the user application, the number of I/O pins which can drive current must be limited to respect the absolute maximum rating specified in [Section 6.2](#):

- The sum of the currents sourced by all the I/Os on V_{DD} , plus the maximum Run consumption of the MCU sourced on V_{DD} , cannot exceed the absolute maximum rating I_{VDD} (see [Table 13: Current characteristics](#)).
- The sum of the currents sunk by all the I/Os on V_{SS} plus the maximum Run consumption of the MCU sunk on V_{SS} cannot exceed the absolute maximum rating I_{VSS} (see [Table 13: Current characteristics](#)).

Output voltage levels

Unless otherwise specified, the parameters given in [Table 46](#) are derived from tests performed under ambient temperature and V_{DD} supply voltage conditions summarized in [Table 15: General operating conditions](#). All I/Os are CMOS and TTL compliant (FT, TTa or TC unless otherwise specified).

Table 46. Output voltage characteristics

Symbol	Parameter	Conditions	Min	Max	Unit
$V_{OL}^{(1)}$	Output low level voltage for an I/O pin	CMOS port ⁽²⁾ $I_{IO} = +8 \text{ mA}$ $2.7 \text{ V} < V_{DD} < 3.6 \text{ V}$	-	0.4	V
$V_{OH}^{(3)}$	Output high level voltage for an I/O pin		$V_{DD}-0.4$	-	
$V_{OL}^{(1)}$	Output low level voltage for an I/O pin	TTL port ⁽²⁾ $I_{IO} = +8 \text{ mA}$ $2.7 \text{ V} < V_{DD} < 3.6 \text{ V}$	-	0.4	V
$V_{OH}^{(3)}$	Output high level voltage for an I/O pin		2.4	-	
$V_{OL}^{(1)(4)}$	Output low level voltage for an I/O pin	$I_{IO} = +20 \text{ mA}$ $2.7 \text{ V} < V_{DD} < 3.6 \text{ V}$	-	1.3	V
$V_{OH}^{(3)(4)}$	Output high level voltage for an I/O pin		$V_{DD}-1.3$	-	
$V_{OL}^{(1)(4)}$	Output low level voltage for an I/O pin	$I_{IO} = +6 \text{ mA}$ $2 \text{ V} < V_{DD} < 2.7 \text{ V}$	-	0.4	V
$V_{OH}^{(3)(4)}$	Output high level voltage for an I/O pin		$V_{DD}-0.4$	-	
$V_{OLFM+}^{(1)}$	Output low level voltage for an FTf I/O pin in FM+ mode	$I_{IO} = +20 \text{ mA}$ $2.7 \text{ V} < V_{DD} < 3.6 \text{ V}$	-	0.4	V

1. The I_{IO} current sunk by the device must always respect the absolute maximum rating specified in [Table 13: Current characteristics](#) and the sum of I_{IO} (I/O ports and control pins) must not exceed I_{VSS} .
2. TTL and CMOS outputs are compatible with JEDEC standards JESD36 and JESD52.
3. The I_{IO} current sourced by the device must always respect the absolute maximum rating specified in [Table 13: Current characteristics](#) and the sum of I_{IO} (I/O ports and control pins) must not exceed I_{VDD} .
4. Data based on design simulation only. Not tested in production.

Input/output AC characteristics

The definition and values of input/output AC characteristics are given in [Figure 22](#) and [Table 47](#), respectively.

Unless otherwise specified, the parameters given are derived from tests performed under ambient temperature and V_{DD} supply voltage conditions summarized in [Table 15: General operating conditions](#).

Table 47. I/O AC characteristics⁽¹⁾

OSPEEDRy [1:0] value ⁽¹⁾	Symbol	Parameter	Conditions	Min	Max	Unit
x0	$f_{\max(\text{IO})\text{out}}$	Maximum frequency ⁽²⁾	$C_L = 50 \text{ pF}$, $V_{DD} = 2 \text{ V to } 3.6 \text{ V}$	-	2	MHz
	$t_{f(\text{IO})\text{out}}$	Output high to low level fall time	$C_L = 50 \text{ pF}$, $V_{DD} = 2 \text{ V to } 3.6 \text{ V}$	-	125 ⁽³⁾	ns
	$t_{r(\text{IO})\text{out}}$	Output low to high level rise time		-	125 ⁽³⁾	
01	$f_{\max(\text{IO})\text{out}}$	Maximum frequency ⁽²⁾	$C_L = 50 \text{ pF}$, $V_{DD} = 2 \text{ V to } 3.6 \text{ V}$	-	10	MHz
	$t_{f(\text{IO})\text{out}}$	Output high to low level fall time	$C_L = 50 \text{ pF}$, $V_{DD} = 2 \text{ V to } 3.6 \text{ V}$	-	25 ⁽³⁾	ns
	$t_{r(\text{IO})\text{out}}$	Output low to high level rise time		-	25 ⁽³⁾	
11	$f_{\max(\text{IO})\text{out}}$	Maximum frequency ⁽²⁾	$C_L = 30 \text{ pF}$, $V_{DD} = 2.7 \text{ V to } 3.6 \text{ V}$	-	50	MHz
			$C_L = 50 \text{ pF}$, $V_{DD} = 2.7 \text{ V to } 3.6 \text{ V}$	-	30	
			$C_L = 50 \text{ pF}$, $V_{DD} = 2 \text{ V to } 2.7 \text{ V}$	-	20	
	$t_{f(\text{IO})\text{out}}$	Output high to low level fall time	$C_L = 30 \text{ pF}$, $V_{DD} = 2.7 \text{ V to } 3.6 \text{ V}$	-	5 ⁽³⁾	ns
			$C_L = 50 \text{ pF}$, $V_{DD} = 2.7 \text{ V to } 3.6 \text{ V}$	-	8 ⁽³⁾	
			$C_L = 50 \text{ pF}$, $V_{DD} = 2 \text{ V to } 2.7 \text{ V}$	-	12 ⁽³⁾	
	$t_{r(\text{IO})\text{out}}$	Output low to high level rise time	$C_L = 30 \text{ pF}$, $V_{DD} = 2.7 \text{ V to } 3.6 \text{ V}$	-	5 ⁽³⁾	
			$C_L = 50 \text{ pF}$, $V_{DD} = 2.7 \text{ V to } 3.6 \text{ V}$	-	8 ⁽³⁾	
			$C_L = 50 \text{ pF}$, $V_{DD} = 2 \text{ V to } 2.7 \text{ V}$	-	12 ⁽³⁾	
FM+ configuration ⁽⁴⁾	$f_{\max(\text{IO})\text{out}}$	Maximum frequency ⁽²⁾	$C_L = 50 \text{ pF}$, $V_{DD} = 2 \text{ V to } 3.6 \text{ V}$	-	2 ⁽³⁾	MHz
	$t_{f(\text{IO})\text{out}}$	Output high to low level fall time	$C_L = 50 \text{ pF}$, $V_{DD} = 2 \text{ V to } 3.6 \text{ V}$	-	12 ⁽³⁾	ns
	$t_{r(\text{IO})\text{out}}$	Output low to high level rise time	$C_L = 50 \text{ pF}$, $V_{DD} = 2 \text{ V to } 3.6 \text{ V}$	-	34 ⁽³⁾	
	$t_{\text{EXTI}pw}$	Pulse width of external signals detected by the EXTI controller		10	-	ns

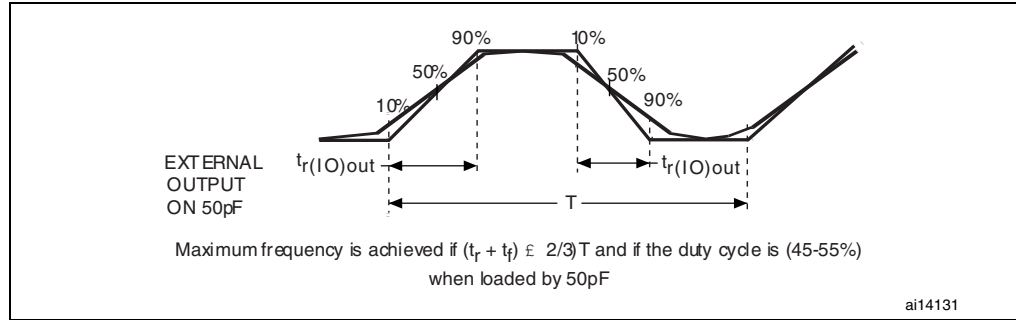
1. The I/O speed is configured using the OSPEEDRx[1:0] bits. Refer to the RM0091 reference manual for a description of GPIO Port configuration register.

2. The maximum frequency is defined in [Figure 22](#).

3. Guaranteed by design, not tested in production.

4. When FM+ configuration is set, the I/O speed control is bypassed. Refer to the STM32F05xxx reference manual RM0091 for a detailed description of FM+ I/O configuration.

Figure 22. I/O AC characteristics definition



6.3.14 NRST pin characteristics

The NRST pin input driver uses CMOS technology. It is connected to a permanent pull-up resistor, R_{PU} (see [Table 45: I/O static characteristics](#)).

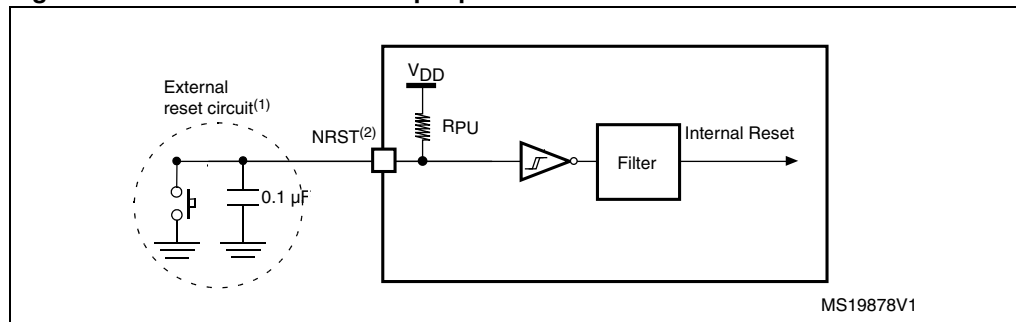
Unless otherwise specified, the parameters given in [Table 48](#) are derived from tests performed under ambient temperature and V_{DD} supply voltage conditions summarized in [Table 15: General operating conditions](#).

Table 48. NRST pin characteristics

Symbol	Parameter	Conditions	Min	Typ	Max	Unit
$V_{IL(NRST)}^{(1)}$	NRST input low level voltage		-0.3	-	0.8	V
$V_{IH(NRST)}^{(1)}$	NRST input high level voltage		2	-	$V_{DD}+0.3$	
$V_{hys(NRST)}$	NRST Schmitt trigger voltage hysteresis		-	200	-	mV
R_{PU}	Weak pull-up equivalent resistor ⁽²⁾	$V_{IN} = V_{SS}$	25	40	55	k Ω
$V_{F(NRST)}^{(1)}$	NRST input filtered pulse		-	-	100	ns
$V_{NF(NRST)}^{(1)}$	NRST input not filtered pulse		300	-	-	ns

1. Guaranteed by design, not tested in production.
2. The pull-up is designed with a true resistance in series with a switchable PMOS. This PMOS contribution to the series resistance must be minimum (~10% order).

Figure 23. Recommended NRST pin protection



1. The reset network protects the device against parasitic resets.
2. The user must ensure that the level on the NRST pin can go below the $V_{IL(NRST)}$ max level specified in [Table 48](#). Otherwise the reset will not be taken into account by the device.

6.3.15 12-bit ADC characteristics

Unless otherwise specified, the parameters given in [Table 49](#) are preliminary values derived from tests performed under ambient temperature, f_{PCLK2} frequency and V_{DDA} supply voltage conditions summarized in [Table 15: General operating conditions](#).

Note: It is recommended to perform a calibration after each power-up.

Table 49. ADC characteristics

Symbol	Parameter	Conditions	Min	Typ	Max	Unit
V_{DDA}	Analog supply voltage for ADC ON		2.4	-	3.6	V
f_{ADC}	ADC clock frequency		0.6	-	14	MHz
$f_S^{(1)}$	Sampling rate		0.05	-	1	MHz
$f_{TRIG}^{(1)}$	External trigger frequency	$f_{ADC} = 14$ MHz	-	-	823	kHz
			-	-	17	$1/f_{ADC}$
V_{AIN}	Conversion voltage range		0	-	V_{DDA}	V
$R_{AIN}^{(1)}$	External input impedance	See Equation 1 and Table 50 for details	-	-	50	k Ω
$R_{ADC}^{(1)}$	Sampling switch resistance		-	-	1	k Ω
$C_{ADC}^{(1)}$	Internal sample and hold capacitor		-	-	8	pF
$t_{CAL}^{(1)}$	Calibration time	$f_{ADC} = 14$ MHz	5.9			μ s
			83			$1/f_{ADC}$
$t_{latr}^{(1)}$	Trigger conversion latency	$f_{ADC} = f_{PCLK}/2 = 14$ MHz	0.196			μ s
		$f_{ADC} = f_{PCLK}/2$	5.5			$1/f_{PCLK}$
		$f_{ADC} = f_{PCLK}/4 = 12$ MHz	0.219			μ s
		$f_{ADC} = f_{PCLK}/4$	10.5			$1/f_{PCLK}$
		$f_{ADC} = f_{HSI14} = 14$ MHz	0.188	-	0.259	μ s
Jitter _{ADC}	ADC jitter on trigger conversion	$f_{ADC} = f_{HSI14}$	-	1	-	$1/f_{HSI14}$
$t_S^{(1)}$	Sampling time	$f_{ADC} = 14$ MHz	0.107	-	17.1	μ s
			1.5	-	239.5	$1/f_{ADC}$
$t_{STAB}^{(1)}$	Power-up time		0	0	1	μ s
$t_{CONV}^{(1)}$	Total conversion time (including sampling time)	$f_{ADC} = 14$ MHz	1		18	μ s
			14 to 252 (t_S for sampling +12.5 for successive approximation)			$1/f_{ADC}$

1. Guaranteed by design, not tested in production.

Equation 1: R_{AIN} max formula

$$R_{AIN} < \frac{T_S}{f_{ADC} \times C_{ADC} \times \ln(2^{N+2})} - R_{ADC}$$

The formula above (*Equation 1*) is used to determine the maximum external impedance allowed for an error below 1/4 of LSB. Here N = 12 (from 12-bit resolution).

Table 50. R_{AIN} max for f_{ADC} = 14 MHz⁽¹⁾

T _s (cycles)	t _s (μs)	R _{AIN} max (kΩ)
1.5	0.11	0.4
7.5	0.54	5.9
13.5	0.96	11.4
28.5	2.04	25.2
41.5	2.96	37.2
55.5	3.96	50
71.5	5.11	NA
239.5	17.1	NA

1. Guaranteed by design, not tested in production.

Table 51. ADC accuracy⁽¹⁾⁽²⁾⁽³⁾

Symbol	Parameter	Test conditions	Typ	Max ⁽⁴⁾	Unit
ET	Total unadjusted error	f _{PCLK} = 48 MHz, f _{ADC} = 14 MHz, R _{AIN} < 10 kΩ, V _{DDA} = 3 V to 3.6 V T _A = 25 °C	±1.3	±2	LSB
EO	Offset error		±1	±1.5	
EG	Gain error		±0.5	±1.5	
ED	Differential linearity error		±0.7	±1	
EL	Integral linearity error		±0.8	±1.5	
ET	Total unadjusted error	f _{PCLK} = 48 MHz, f _{ADC} = 14 MHz, R _{AIN} < 10 kΩ, V _{DDA} = 2.7 V to 3.6 V T _A = -40 to 105 °C	±3.3	±4	LSB
EO	Offset error		±1.9	±2.8	
EG	Gain error		±2.8	±3	
ED	Differential linearity error		±0.7	±1.3	
EL	Integral linearity error		±1.2	±1.7	
ET	Total unadjusted error	f _{PCLK} = 48 MHz, f _{ADC} = 14 MHz, R _{AIN} < 10 kΩ, V _{DDA} = 2.4 V to 3.6 V T _A = 25 °C	±3.3	±4	LSB
EO	Offset error		±1.9	±2.8	
EG	Gain error		±2.8	±3	
ED	Differential linearity error		±0.7	±1.3	
EL	Integral linearity error		±1.2	±1.7	

1. ADC DC accuracy values are measured after internal calibration.

2. ADC Accuracy vs. Negative Injection Current: Injecting negative current on any of the standard (non-robust) analog input pins should be avoided as this significantly reduces the accuracy of the conversion being performed on another analog input. It is recommended to add a Schottky diode (pin to ground) to standard analog pins which may potentially inject negative current. Any positive injection current within the limits specified for $I_{INJ(PIN)}$ and $\Sigma I_{INJ(PIN)}$ in [Section 6.3.13](#) does not affect the ADC accuracy.
3. Better performance may be achieved in restricted V_{DDA} , frequency and temperature ranges.
4. Data based on characterization results, not tested in production.

Figure 24. ADC accuracy characteristics

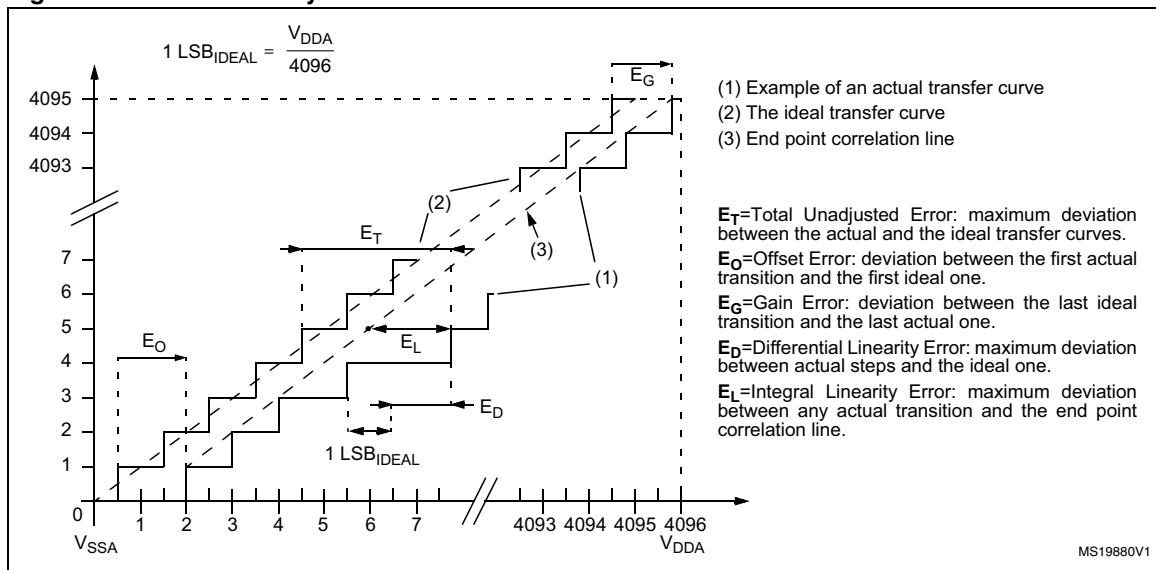
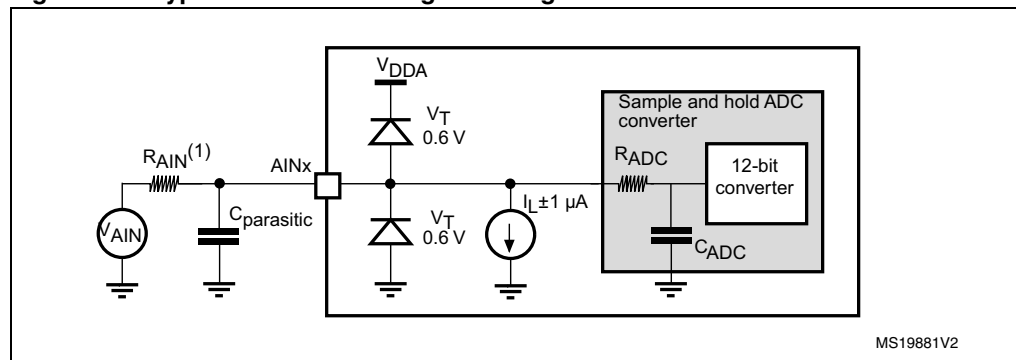


Figure 25. Typical connection diagram using the ADC



1. Refer to [Table 49: ADC characteristics](#) for the values of R_{AIN} , R_{ADC} and C_{ADC} .
2. $C_{\text{parasitic}}$ represents the capacitance of the PCB (dependent on soldering and PCB layout quality) plus the pad capacitance (roughly 7 pF). A high $C_{\text{parasitic}}$ value will downgrade conversion accuracy. To remedy this, f_{ADC} should be reduced.

General PCB design guidelines

Power supply decoupling should be performed as shown in [Figure 10](#). The 10 nF capacitor should be ceramic (good quality) and it should be placed as close as possible to the chip.

6.3.16 Temperature sensor characteristics

Table 52. TS characteristics

Symbol	Parameter	Min	Typ	Max	Unit
$T_L^{(1)}$	V_{SENSE} linearity with temperature	-	± 1	± 2	$^{\circ}\text{C}$
Avg_Slope ⁽¹⁾	Average slope	4.0	4.3	4.6	mV/ $^{\circ}\text{C}$
V_{25}	Voltage at 25 $^{\circ}\text{C}$	1.34	1.43	1.52	V
$t_{START}^{(1)}$	Startup time	4	-	10	μs
$T_{S_temp}^{(1)(2)}$	ADC sampling time when reading the temperature	17.1	-	-	μs

1. Guaranteed by design, not tested in production.
2. Shortest sampling time can be determined in the application by multiple iterations.

6.3.17 V_{BAT} monitoring characteristics

Table 53. V_{BAT} monitoring characteristics

Symbol	Parameter	Min	Typ	Max	Unit
R	Resistor bridge for V_{BAT}	-	50	-	$\text{K}\Omega$
Q	Ratio on V_{BAT} measurement	-	2	-	
$E_r^{(1)}$	Error on Q	-1	-	+1	%
$T_{S_vbat}^{(1)(2)}$	ADC sampling time when reading the V_{BAT} 1mV accuracy	5	-	-	μs

1. Guaranteed by design, not tested in production.
2. Shortest sampling time can be determined in the application by multiple iterations.

6.3.18 Timer characteristics

The parameters given in [Table 54](#) are guaranteed by design.

Refer to [Section 6.3.13: I/O port characteristics](#) for details on the input/output alternate function characteristics (output compare, input capture, external clock, PWM output).

Table 54. TIMx⁽¹⁾ characteristics

Symbol	Parameter	Conditions	Min	Max	Unit
$t_{res(TIM)}$	Timer resolution time		1	-	$t_{TIMxCLK}$
		$f_{TIMxCLK} = 48 \text{ MHz}$	20.8	-	ns
f_{EXT}	Timer external clock frequency on CH1 to CH4		0	$f_{TIMxCLK}/2$	MHz
		$f_{TIMxCLK} = 48 \text{ MHz}$	0	24	MHz
Res_{TIM}	Timer resolution	TIMx (except TIM2)	-	16	bit
		TIM2	-	32	

Table 54. TIMx⁽¹⁾ characteristics (continued)

Symbol	Parameter	Conditions	Min	Max	Unit
t _{COUNTER}	16-bit counter clock period		1	65536	t _{TIMxCLK}
		f _{TIMxCLK} = 48 MHz	0.0208	1365	μs
t _{MAX_COUNT}	Maximum possible count with 32-bit counter		-	65536 × 65536	t _{TIMxCLK}
		f _{TIMxCLK} = 48 MHz	-	89.48	s

1. TIMx is used as a general term to refer to the TIM1, TIM2, TIM3, TIM6, TIM14, TIM15, TIM16 and TIM17 timers.

Table 55. IWDG min/max timeout period at 40 kHz (LSI) ⁽¹⁾

Prescaler divider	PR[2:0] bits	Min timeout RL[11:0]= 0x000	Max timeout RL[11:0]= 0xFF	Unit
/4	0	0.1	409.6	ms
/8	1	0.2	819.2	
/16	2	0.4	1638.4	
/32	3	0.8	3276.8	
/64	4	1.6	6553.6	
/128	5	3.2	13107.2	
/256	6 or 7	6.4	26214.4	

1. These timings are given for a 40 kHz clock but the microcontroller's internal RC frequency can vary from 30 to 60 kHz. Moreover, given an exact RC oscillator frequency, the exact timings still depend on the phasing of the APB interface clock versus the LSI clock so that there is always a full RC period of uncertainty.

Table 56. WWDG min-max timeout value @48 MHz (PCLK)

Prescaler	WDGTB	Min timeout value	Max timeout value	Unit
1	0	0.0853	5.4613	ms
2	1	0.1706	10.9226	
4	2	0.3413	21.8453	
8	3	0.6826	43.6906	

6.3.19 Communication interfaces

I²C interface characteristics

Unless otherwise specified, the parameters given in [Table 57](#) are derived from tests performed under ambient temperature, f_{PCLK} frequency and V_{DD} supply voltage conditions summarized in [Table 15: General operating conditions](#).

The I²C interface meets the requirements of the standard I²C communication protocol with the following restrictions: the I/O pins SDA and SCL are mapped to are not “true” open-drain. When configured as open-drain, the PMOS connected between the I/O pin and V_{DD} is disabled, but is still present.

The I²C characteristics are described in [Table 57](#). Refer also to [Section 6.3.13: I/O port characteristics](#) for more details on the input/output alternate function characteristics (SDA and SCL).

Table 57. I²C characteristics⁽¹⁾

Symbol	Parameter	Standard mode		Fast mode		Fast Mode Plus		Unit
		Min	Max	Min	Max	Min	Max	
$t_{\text{w}}(\text{SCLL})$	SCL clock low time	4.7	-	1.3	-	0.5	-	μs
$t_{\text{w}}(\text{SCLH})$	SCL clock high time	4.0	-	0.6	-	0.26	-	
$t_{\text{su}}(\text{SDA})$	SDA setup time	250	-	100	-	50	-	ns
$t_{\text{h}}(\text{SDA})$	SDA data hold time	0 ⁽³⁾	3450 ⁽²⁾	0 ⁽³⁾	900 ⁽²⁾	0 ⁽⁴⁾	450 ⁽²⁾	
$t_{\text{r}}(\text{SDA})$ $t_{\text{r}}(\text{SCL})$	SDA and SCL rise time	-	1000	-	300	-	120	
$t_{\text{f}}(\text{SDA})$ $t_{\text{f}}(\text{SCL})$	SDA and SCL fall time	-	300	-	300	-	120	
$t_{\text{h}}(\text{STA})$	Start condition hold time	4.0	-	0.6	-	0.26	-	
$t_{\text{su}}(\text{STA})$	Repeated Start condition setup time	4.7	-	0.6	-	0.26	-	
$t_{\text{su}}(\text{STO})$	Stop condition setup time	4.0	-	0.6	-	0.26	-	μs
$t_{\text{w}}(\text{STO:STA})$	Stop to Start condition time (bus free)	4.7	-	1.3	-	0.5	-	μs
C_{b}	Capacitive load for each bus line	-	400	-	400	-	550	pF

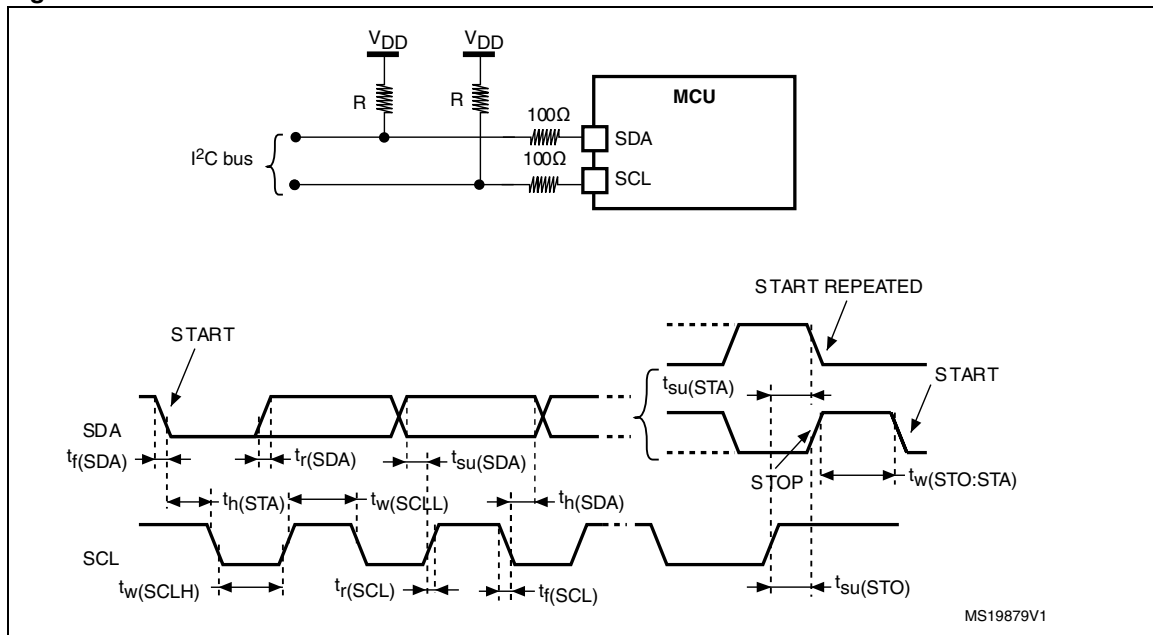
1. The I²C characteristics are the requirements from I²C bus specification rev03. They are guaranteed by design when I2Cx_TIMING register is correctly programmed (Refer to reference manual). These characteristics are not tested in production.
2. The maximum data hold time has only to be met if the interface does not stretch the low period of SCL signal.
3. The device must internally provide a hold time of at least 300ns for the SDA signal in order to bridge the undefined region of the falling edge of SCL.
4. The device must internally provide a hold time of at least 120ns for the SDA signal in order to bridge the undefined region of the falling edge of SCL.

Table 58. I²C analog filter characteristics⁽¹⁾

Symbol	Parameter	Min	Max	Unit
t_{SP}	Pulse width of spikes that are suppressed by the analog filter	50	260	ns

1. Guaranteed by design, not tested in production.

Figure 26. I²C bus AC waveforms and measurement circuit



1. Measurement points are done at CMOS levels: 0.3 V_{DD} and 0.7 V_{DD} .

SPI/I²S characteristics

Unless otherwise specified, the parameters given in [Table 59](#) for SPI or in [Table 60](#) for I²S are derived from tests performed under ambient temperature, f_{PCLKx} frequency and V_{DD} supply voltage conditions summarized in [Table 15: General operating conditions](#).

Refer to [Section 6.3.13: I/O port characteristics](#) for more details on the input/output alternate function characteristics (NSS, SCK, MOSI, MISO for SPI and WS, CK, SD for I²S).

Table 59. SPI characteristics

Symbol	Parameter	Conditions	Min	Max	Unit	
f_{SCK} $1/t_{c(SCK)}$	SPI clock frequency	Master mode	-	18	MHz	
		Slave mode	-	18		
$t_{r(SCK)}$ $t_{f(SCK)}$	SPI clock rise and fall time	Capacitive load: C = 15 pF	-	6	ns	
$t_{su(NSS)}^{(1)}$	NSS setup time	Slave mode	4Tpclk	-	ns	
$t_{h(NSS)}^{(1)}$	NSS hold time	Slave mode	2Tpclk + 10	-		
$t_{w(SCKH)}^{(1)}$ $t_{w(SCKL)}^{(1)}$	SCK high and low time	Master mode, $f_{PCLK} = 36$ MHz, presc = 4	Tpclk/2 - 2	Tpclk/2 + 1		
$t_{su(MI)}^{(1)}$ $t_{su(SI)}^{(1)}$	Data input setup time	Master mode	4	-		
		Slave mode	5	-		
$t_{h(MI)}^{(1)}$ $t_{h(SI)}^{(1)}$	Data input hold time	Master mode	4	-		
		Slave mode	5	-		
$t_{a(SO)}^{(1)(2)}$	Data output access time	Slave mode, $f_{PCLK} = 20$ MHz	0	3Tpclk		
$t_{dis(SO)}^{(1)(3)}$	Data output disable time	Slave mode	0	18		
$t_{v(SO)}^{(1)}$	Data output valid time	Slave mode (after enable edge)	-	22.5		
$t_{v(MO)}^{(1)}$	Data output valid time	Master mode (after enable edge)	-	6		
$t_{h(SO)}^{(1)}$ $t_{h(MO)}^{(1)}$	Data output hold time	Slave mode (after enable edge)	11.5	-		
		Master mode (after enable edge)	2	-		
DuCy(SCK)	SPI slave input clock duty cycle	Slave mode	25	75		%

1. Data based on characterization results, not tested in production.
2. Min time is for the minimum time to drive the output and the max time is for the maximum time to validate the data.
3. Min time is for the minimum time to invalidate the output and the max time is for the maximum time to put the data in Hi-Z

Figure 27. SPI timing diagram - slave mode and CPHA = 0

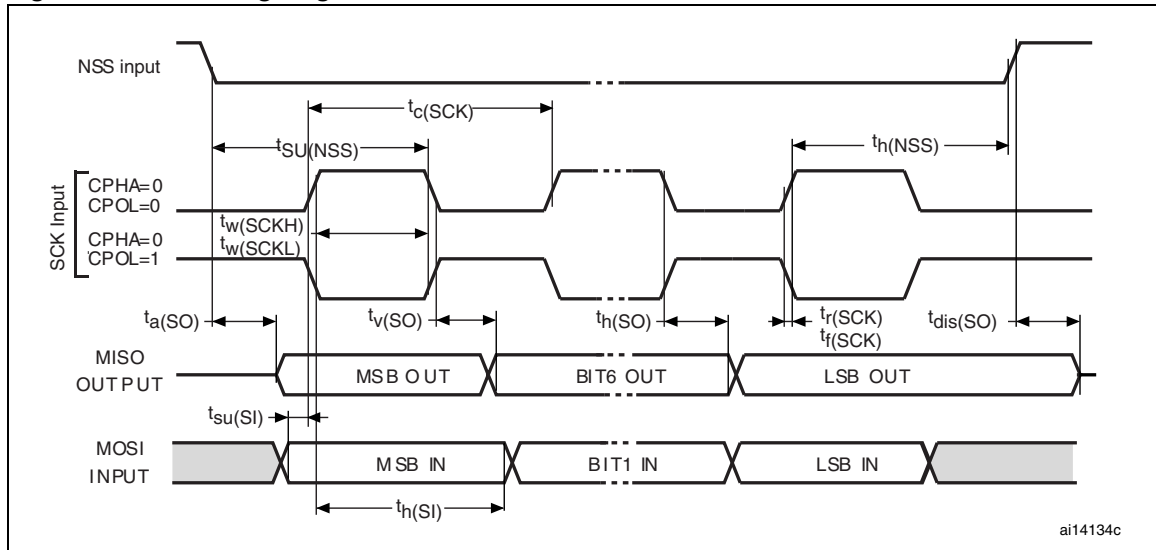
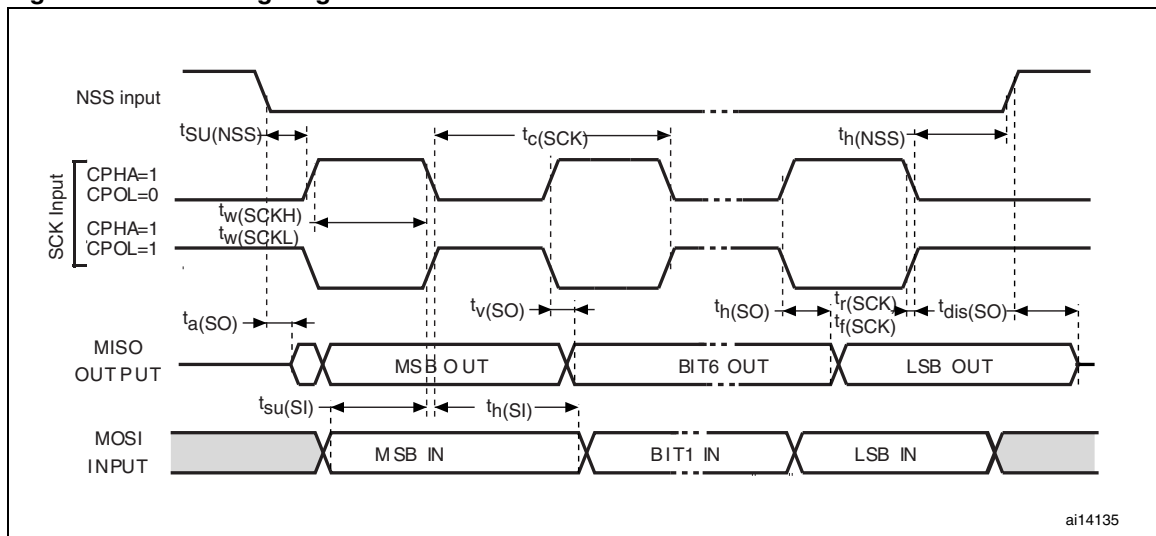
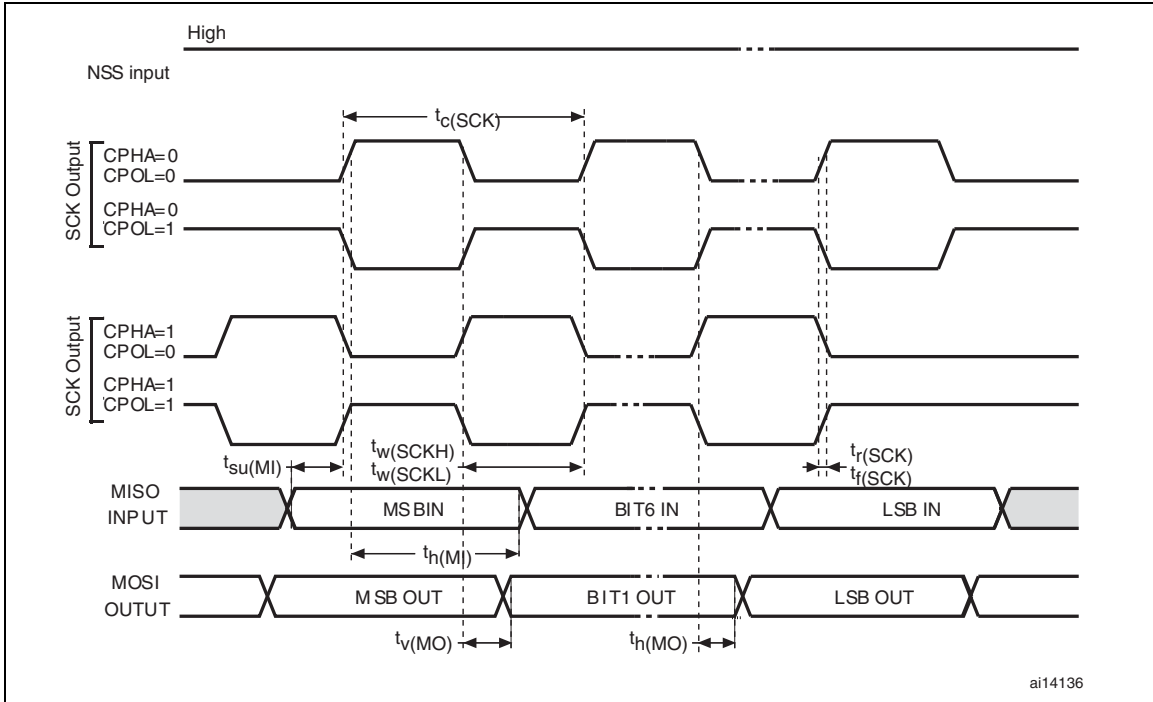


Figure 28. SPI timing diagram - slave mode and CPHA = 1⁽¹⁾



1. Measurement points are done at CMOS levels: 0.3V_{DD} and 0.7V_{DD}.

Figure 29. SPI timing diagram - master mode⁽¹⁾



1. Measurement points are done at CMOS levels: $0.3V_{DD}$ and $0.7V_{DD}$.

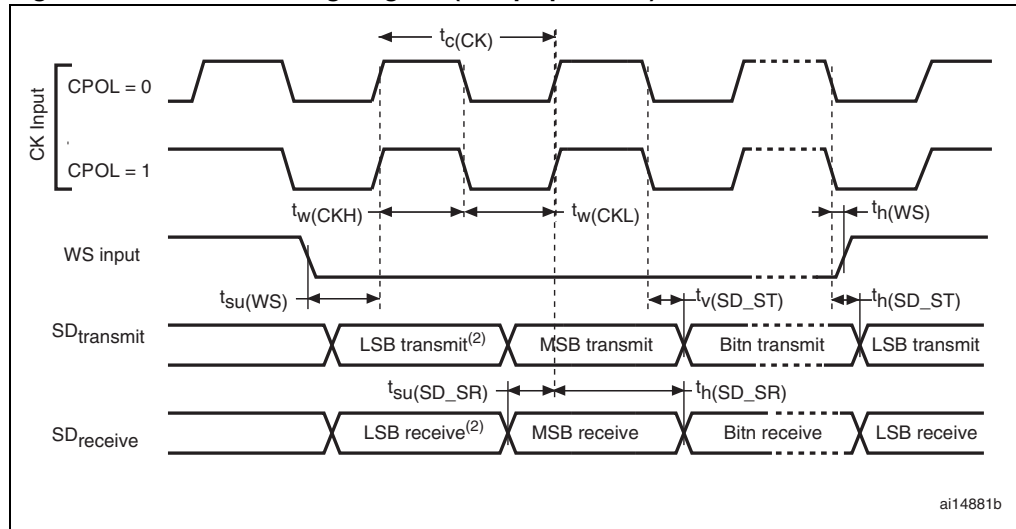
Table 60. I²S characteristics

Symbol	Parameter	Conditions	Min	Max	Unit
f_{CK} $1/t_{c(CK)}$	I ² S clock frequency	Master mode (data: 16 bits, Audio frequency = 48 kHz)	1.597	1.601	MHz
		Slave mode	0	6.5	
$t_{r(CK)}$	I ² S clock rise time	Capacitive load $C_L = 15$ pF	-	10	ns
$t_{f(CK)}$	I ² S clock fall time		-	12	
$t_{w(CKH)}^{(1)}$	I2S clock high time	Master $f_{PCLK} = 16$ MHz, audio frequency = 48 kHz	306	-	
$t_{w(CKL)}^{(1)}$	I2S clock low time		312	-	
$t_{v(WS)}^{(1)}$	WS valid time	Master mode	2	-	
$t_{h(WS)}^{(1)}$	WS hold time	Master mode	2	-	
$t_{su(WS)}^{(1)}$	WS setup time	Slave mode	7	-	
$t_{h(WS)}^{(1)}$	WS hold time	Slave mode	0	-	
DuCy(SCK)	I2S slave input clock duty cycle	Slave mode	25	75	%
$t_{su(SD_MR)}^{(1)}$	Data input setup time	Master receiver	6	-	ns
$t_{su(SD_SR)}^{(1)}$	Data input setup time	Slave receiver	2	-	
$t_{h(SD_MR)}^{(1)(2)}$	Data input hold time	Master receiver	4	-	
		Slave receiver	0.5	-	
$t_{v(SD_ST)}^{(1)(2)}$	Data output valid time	Slave transmitter (after enable edge)	-	20	
$t_{h(SD_ST)}^{(1)}$	Data output hold time	Slave transmitter (after enable edge)	13	-	
$t_{v(SD_MT)}^{(1)(2)}$	Data output valid time	Master transmitter (after enable edge)	-	4	
$t_{h(SD_MT)}^{(1)}$	Data output hold time	Master transmitter (after enable edge)	0	-	

1. Data based on design simulation and/or characterization results, not tested in production.

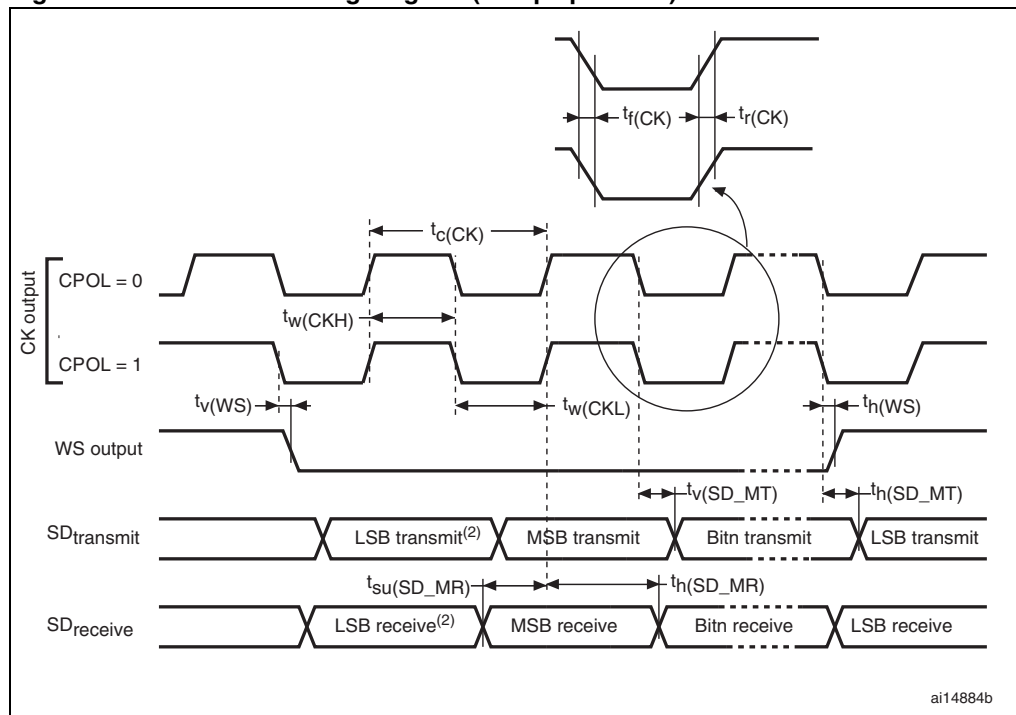
2. Depends on f_{PCLK} . For example, if $f_{PCLK} = 8$ MHz, then $T_{PCLK} = 1/f_{PCLK} = 125$ ns.

Figure 30. I2S slave timing diagram (Philips protocol)



1. Measurement points are done at CMOS levels: $0.3 \times V_{DD}$ and $0.7 \times V_{DD}$.
2. LSB transmit/receive of the previously transmitted byte. No LSB transmit/receive is sent before the first byte.

Figure 31. I2S master timing diagram (Philips protocol)



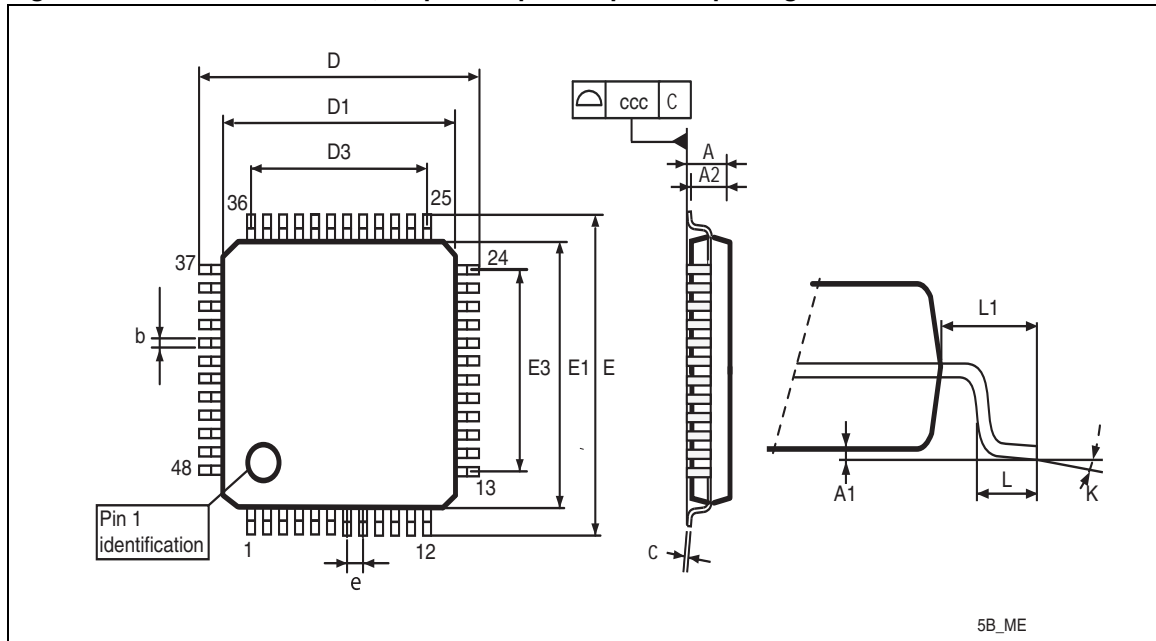
1. Data based on characterization results, not tested in production.
2. LSB transmit/receive of the previously transmitted byte. No LSB transmit/receive is sent before the first byte.

7 Package characteristics

7.1 Package mechanical data

In order to meet environmental requirements, ST offers these devices in different grades of ECOPACK[®] packages, depending on their level of environmental compliance. ECOPACK[®] specifications, grade definitions and product status are available at: www.st.com. ECOPACK[®] is an ST trademark.

Figure 32. LQFP48 - 7 x 7 mm, 48-pin low-profile quad flat package outline



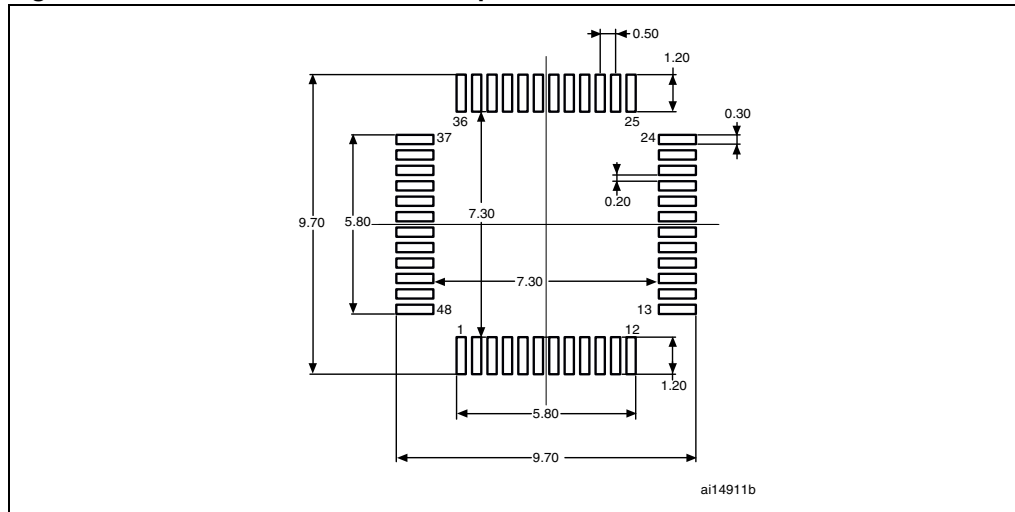
1. Drawing is not to scale.

Table 61. LQFP48 – 7 x 7 mm, 48-pin low-profile quad flat package mechanical data

Symbol	millimeters			inches ⁽¹⁾		
	Min	Typ	Max	Min	Typ	Max
A			1.600			0.0630
A1	0.050		0.150	0.0020		0.0059
A2	1.350	1.400	1.450	0.0531	0.0551	0.0571
b	0.170	0.220	0.270	0.0067	0.0087	0.0106
c	0.090		0.200	0.0035		0.0079
D	8.800	9.000	9.200	0.3465	0.3543	0.3622
D1	6.800	7.000	7.200	0.2677	0.2756	0.2835
D3		5.500			0.2165	
E	8.800	9.000	9.200	0.3465	0.3543	0.3622
E1	6.800	7.000	7.200	0.2677	0.2756	0.2835
E3		5.500			0.2165	
e		0.500			0.0197	
L	0.450	0.600	0.750	0.0177	0.0236	0.0295
L1		1.000			0.0394	
k	0°	3.5°	7°	0°	3.5°	7°
ccc		0.080			0.0031	

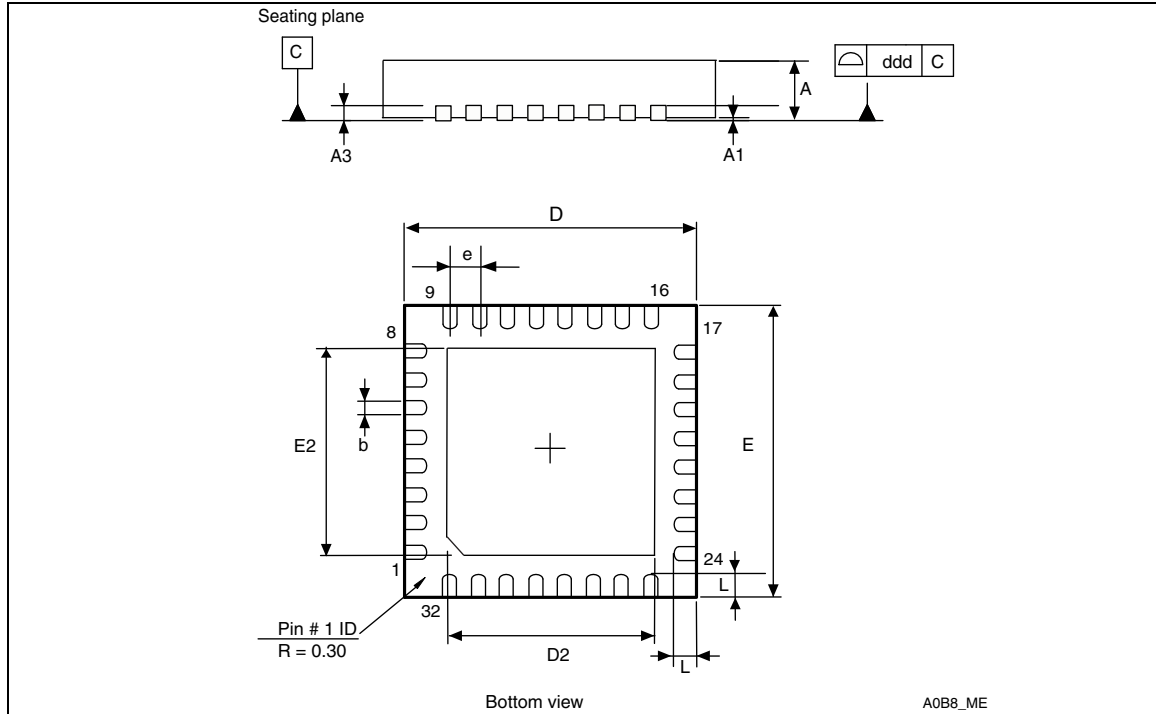
1. Values in inches are converted from mm and rounded to 4 decimal digits.

Figure 33. LQFP48 recommended footprint



1. Drawing is not to scale.
2. Dimensions are in millimeters.

Figure 34. UFQFPN32 - 5 x 5 mm, 32-lead ultra thin fine pitch quad flat no-lead package outline



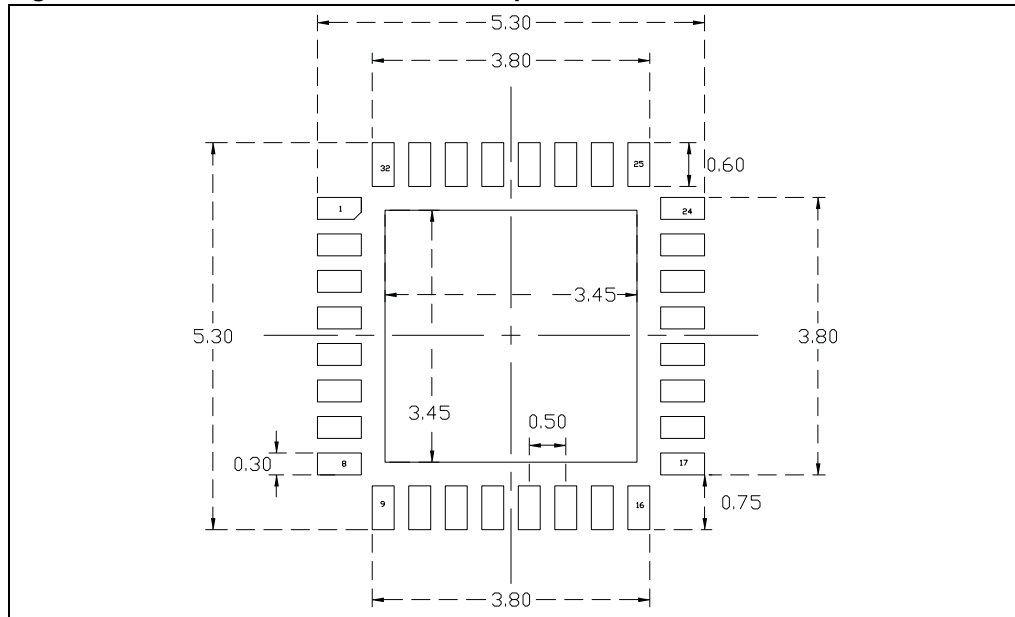
1. Drawing is not to scale.
2. All leads/pads should also be soldered to the PCB to improve the lead/pad solder joint life.
3. There is an exposed die pad on the underside of the UFQFPN package. This pad is used for the device ground and must be connected. It is referred to as pin 0 in [Table 8: Pin definitions](#).

Table 62. UFQFPN32 – 5 x 5 mm, 32-lead ultra thin fine pitch quad flat no-lead package mechanical data

Dim.	millimeters			inches ⁽¹⁾		
	Min	Typ	Max	Min	Typ	Max
A	0.5	0.55	0.6	0.0197	0.0217	0.0236
A1	0.00	0.02	0.05	0	0.0008	0.0020
A3		0.152			0.006	
b	0.18	0.23	0.28	0.0071	0.0091	0.0110
D	4.90	5.00	5.10	0.1929	0.1969	0.2008
D2		3.50			0.1378	
E	4.90	5.00	5.10	0.1929	0.1969	0.2008
E2	3.40	3.50	3.60	0.1339	0.1378	0.1417
e		0.500			0.0197	
L	0.30	0.40	0.50	0.0118	0.0157	0.0197
ddd		0.08			0.0031	

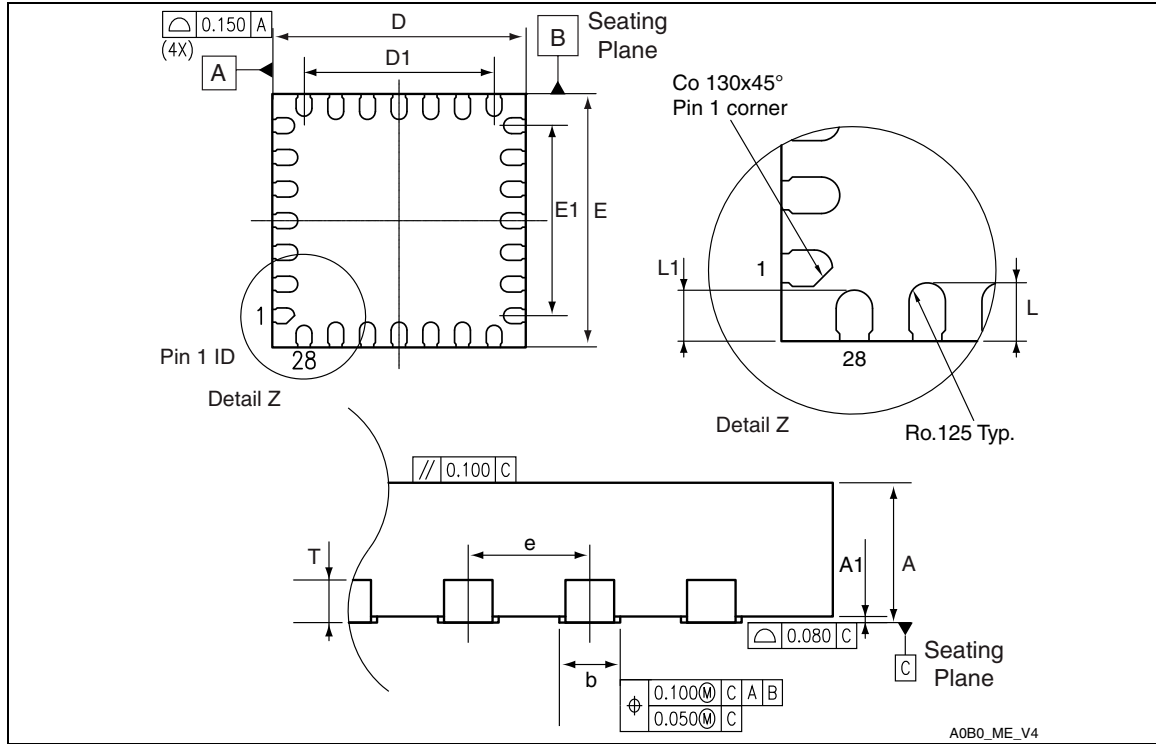
1. Values in inches are converted from mm and rounded to 4 decimal digits.

Figure 35. UFQFPN32 recommended footprint



1. Drawing is not to scale.
2. Dimensions are in millimeters.

Figure 36. UFQFPN28 - 4 x 4 mm, 28-lead ultra thin fine pitch quad flat no-lead package outline



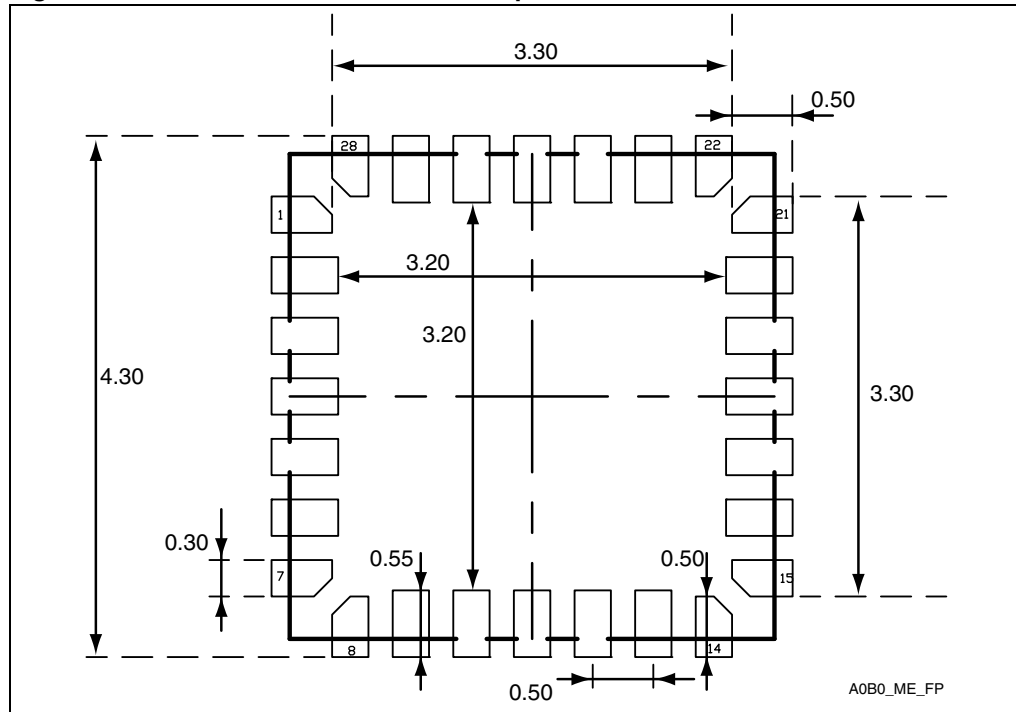
1. Drawing is not to scale.
2. Dimensions are in millimeters.
3. All leads/pads should also be soldered to the PCB to improve the lead/pad solder joint life.

Table 63. UFQFPN28 – 4 x 4 mm, 28-lead ultra thin fine pitch quad flat no-lead package mechanical data

Symbol	millimeters			inches ⁽¹⁾		
	Min	Typ	Max	Min	Typ	Max
A	0.5	0.55	0.6	0.0197	0.0217	0.0236
A1	-0.05	0	0.05	-0.002	0	0.002
D	3.9	4	4.1	0.1535	0.1575	0.1614
D1	2.9	3	3.1	0.1142	0.1181	0.122
E	3.9	4	4.1	0.1535	0.1575	0.1614
E1	2.9	3	3.1	0.1142	0.1181	0.122
L	0.3	0.4	0.5	0.0118	0.0157	0.0197
L1	0.25	0.35	0.45	0.0098	0.0138	0.0177
T		0.152			0.006	
b	0.2	0.25	0.3	0.0079	0.0098	0.0118
e		0.5			0.0197	

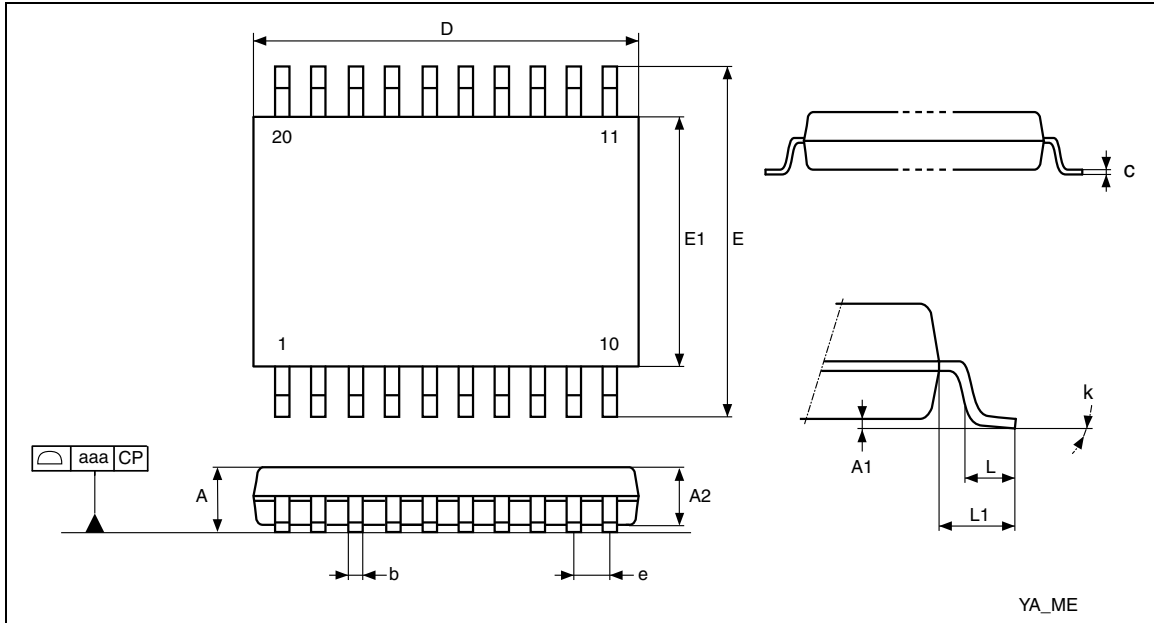
1. Values in inches are converted from mm and rounded to 4 decimal digits.

Figure 37. UFQFPN28 recommended footprint



1. Dimensions are in millimeters
2. All leads/pads should also be soldered to the PCB to improve the lead/pad solder joint life.

Figure 38. TSSOP20 - 20-pin thin shrink small outline



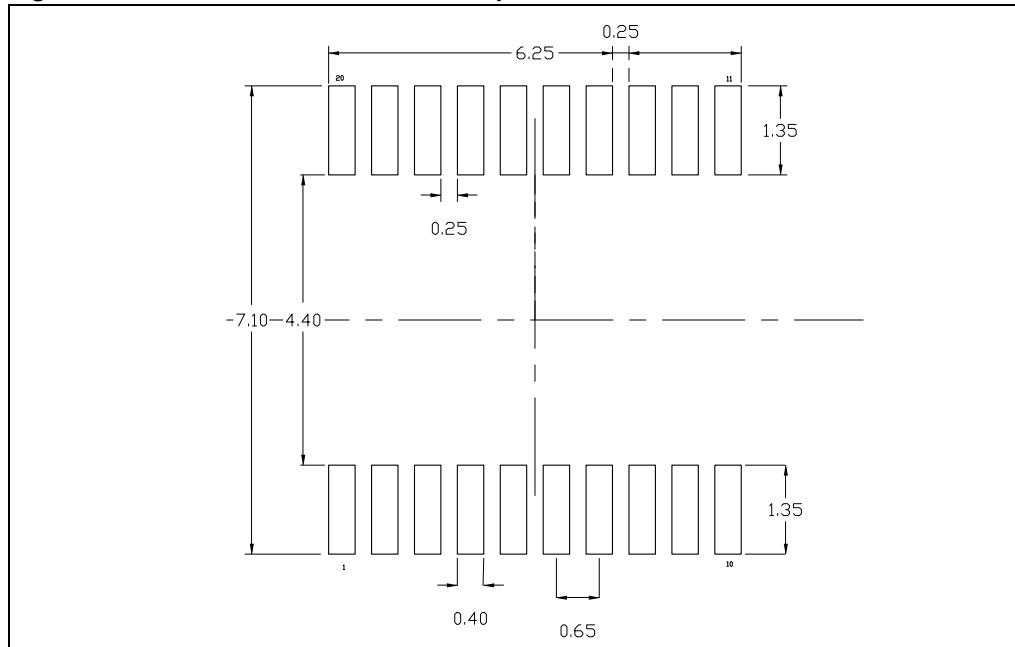
1. Drawing is not to scale.

Table 64. TSSOP20 – 20-pin thin shrink small outline package mechanical data

Symbol	millimeters			inches ⁽¹⁾		
	Min	Typ	Max	Min	Typ	
A			1.2			0.0472
A1	0.05		0.15	0.002		0.0059
A2	0.8	1	1.05	0.0315	0.0394	0.0413
b	0.19		0.3	0.0075		0.0118
c	0.09		0.2	0.0035		0.0079
D	6.4	6.5	6.6	0.252	0.2559	0.2598
E	6.2	6.4	6.6	0.2441	0.252	0.2598
E1	4.3	4.4	4.5	0.1693	0.1732	0.1772
e		0.65			0.0256	
L	0.45	0.6	0.75	0.0177	0.0236	0.0295
L1		1			0.0394	
k	0.0°		8.0°	0.0°		8.0°
aaa			0.1			0.0039

1. Values in inches are converted from mm and rounded to 4 decimal digits.

Figure 39. TSSOP20 recommended footprint



1. Dimensions are in millimeters

7.2 Thermal characteristics

The maximum chip junction temperature (T_J max) must never exceed the values given in [Table 15: General operating conditions on page 39](#).

The maximum chip-junction temperature, T_J max, in degrees Celsius, may be calculated using the following equation:

$$T_J \text{ max} = T_A \text{ max} + (P_D \text{ max} \times \Theta_{JA})$$

Where:

- T_A max is the maximum ambient temperature in °C,
- Θ_{JA} is the package junction-to-ambient thermal resistance, in °C/W,
- P_D max is the sum of P_{INT} max and $P_{I/O}$ max (P_D max = P_{INT} max + $P_{I/O}$ max),
- P_{INT} max is the product of I_{DD} and V_{DD} , expressed in Watts. This is the maximum chip internal power.

$P_{I/O}$ max represents the maximum power dissipation on output pins where:

$$P_{I/O} \text{ max} = \Sigma (V_{OL} \times I_{OL}) + \Sigma (V_{DD} - V_{OH}) \times I_{OH},$$

taking into account the actual V_{OL} / I_{OL} and V_{OH} / I_{OH} of the I/Os at low and high level in the application.

Table 65. Package thermal characteristics

Symbol	Parameter	Value	Unit
Θ_{JA}	Thermal resistance junction-ambient LQFP48 - 7 × 7 mm	55	°C/W
	Thermal resistance junction-ambient UFQFPN32 - 5 × 5 mm	38	
	Thermal resistance junction-ambient UFQFPN28 - 4 × 4 mm	118	
	Thermal resistance junction-ambient TSSOP20	110	

7.2.1 Reference document

JESD51-2 Integrated Circuits Thermal Test Method Environment Conditions - Natural Convection (Still Air). Available from www.jedec.org

7.2.2 Selecting the product temperature range

When ordering the microcontroller, the temperature range is specified in the ordering information scheme shown in [Section 8: Part numbering](#).

Each temperature range suffix corresponds to a specific guaranteed ambient temperature at maximum dissipation and, to a specific maximum junction temperature.

As applications do not commonly use the STM32F05xx at maximum dissipation, it is useful to calculate the exact power consumption and junction temperature to determine which temperature range will be best suited to the application.

The following examples show how to calculate the temperature range needed for a given application.

Example 1: High-performance application

Assuming the following application conditions:

Maximum ambient temperature $T_{Amax} = 80\text{ °C}$ (measured according to JESD51-2),
 $I_{DDmax} = 50\text{ mA}$, $V_{DD} = 3.5\text{ V}$, maximum 20 I/Os used at the same time in output at low level with $I_{OL} = 8\text{ mA}$, $V_{OL} = 0.4\text{ V}$ and maximum 8 I/Os used at the same time in output at low level with $I_{OL} = 20\text{ mA}$, $V_{OL} = 1.3\text{ V}$

$$P_{INTmax} = 50\text{ mA} \times 3.5\text{ V} = 175\text{ mW}$$

$$P_{IOmax} = 20 \times 8\text{ mA} \times 0.4\text{ V} + 8 \times 20\text{ mA} \times 1.3\text{ V} = 272\text{ mW}$$

This gives: $P_{INTmax} = 175\text{ mW}$ and $P_{IOmax} = 272\text{ mW}$:

$$P_{Dmax} = 175 + 272 = 447\text{ mW}$$

Using the values obtained in [Table 65](#) T_{Jmax} is calculated as follows:

– For LQFP48, 55 °C/W

$$T_{Jmax} = 80\text{ °C} + (55\text{ °C/W} \times 447\text{ mW}) = 80\text{ °C} + 24.585\text{ °C} = 104.585\text{ °C}$$

This is within the range of the suffix 6 version parts ($-40 < T_J < 105\text{ °C}$) see [Table 15: General operating conditions on page 39](#).

In this case, parts must be ordered at least with the temperature range suffix 6 (see [Section 8: Part numbering](#)).

Note: With this given P_{Dmax} we can find the T_{Amax} allowed for a given device temperature range (order code suffix 6 or 7).

$$\text{Suffix 6: } T_{Amax} = T_{Jmax} - (55\text{ °C/W} \times 447\text{ mW}) = 105 - 24.585 = 80.415\text{ °C}$$

$$\text{Suffix 7: } T_{Amax} = T_{Jmax} - (55\text{ °C/W} \times 447\text{ mW}) = 125 - 24.585 = 100.415\text{ °C}$$

Example 2: High-temperature application

Using the same rules, it is possible to address applications that run at high ambient temperatures with a low dissipation, as long as junction temperature T_J remains within the specified range.

Assuming the following application conditions:

Maximum ambient temperature $T_{Amax} = 100\text{ °C}$ (measured according to JESD51-2),
 $I_{DDmax} = 20\text{ mA}$, $V_{DD} = 3.5\text{ V}$, maximum 20 I/Os used at the same time in output at low level with $I_{OL} = 8\text{ mA}$, $V_{OL} = 0.4\text{ V}$

$$P_{INTmax} = 20\text{ mA} \times 3.5\text{ V} = 70\text{ mW}$$

$$P_{IOmax} = 20 \times 8\text{ mA} \times 0.4\text{ V} = 64\text{ mW}$$

This gives: $P_{INTmax} = 70\text{ mW}$ and $P_{IOmax} = 64\text{ mW}$:

$$P_{Dmax} = 70 + 64 = 134\text{ mW}$$

Thus: $P_{Dmax} = 134\text{ mW}$

Using the values obtained in [Table 65](#) T_{Jmax} is calculated as follows:

– For LQFP48, 55 °C/W

$$T_{Jmax} = 100\text{ °C} + (55\text{ °C/W} \times 134\text{ mW}) = 100\text{ °C} + 7.37\text{ °C} = 107.37\text{ °C}$$

This is above the range of the suffix 6 version parts ($-40 < T_J < 105\text{ °C}$).

In this case, parts must be ordered at least with the temperature range suffix 7 (see [Section 8: Part numbering](#)) unless we reduce the power dissipation in order to be able to use suffix 6 parts.

8 Part numbering

For a list of available options (memory, package, and so on) or for further information on any aspect of this device, please contact your nearest ST sales office.

Example:	STM32	F	050	C	6	T	6	A	x
Device family STM32 = ARM-based 32-bit microcontroller									
Product type F = General-purpose									
Sub-family 050 = STM32F050xx									
Pin count F = 20 pins G = 28 pins K = 32 pins C = 48 pins									
Code size 4 = 16 Kbytes of Flash memory 6 = 32 Kbytes of Flash memory									
Package P = TSSOP U = UFQFPN T = LQFP									
Temperature range 6 = -40 °C to +85 °C 7 = -40 °C to +105 °C									
Internal code A = non-optimized die Blank = standard die									
Options xxx = programmed parts TR = tape and real									

9 Revision history

Table 66. Document revision history

Date	Revision	Changes
22-Nov-2012	1	Initial release

Please Read Carefully:

Information in this document is provided solely in connection with ST products. STMicroelectronics NV and its subsidiaries ("ST") reserve the right to make changes, corrections, modifications or improvements, to this document, and the products and services described herein at any time, without notice.

All ST products are sold pursuant to ST's terms and conditions of sale.

Purchasers are solely responsible for the choice, selection and use of the ST products and services described herein, and ST assumes no liability whatsoever relating to the choice, selection or use of the ST products and services described herein.

No license, express or implied, by estoppel or otherwise, to any intellectual property rights is granted under this document. If any part of this document refers to any third party products or services it shall not be deemed a license grant by ST for the use of such third party products or services, or any intellectual property contained therein or considered as a warranty covering the use in any manner whatsoever of such third party products or services or any intellectual property contained therein.

UNLESS OTHERWISE SET FORTH IN ST'S TERMS AND CONDITIONS OF SALE ST DISCLAIMS ANY EXPRESS OR IMPLIED WARRANTY WITH RESPECT TO THE USE AND/OR SALE OF ST PRODUCTS INCLUDING WITHOUT LIMITATION IMPLIED WARRANTIES OF MERCHANTABILITY, FITNESS FOR A PARTICULAR PURPOSE (AND THEIR EQUIVALENTS UNDER THE LAWS OF ANY JURISDICTION), OR INFRINGEMENT OF ANY PATENT, COPYRIGHT OR OTHER INTELLECTUAL PROPERTY RIGHT.

UNLESS EXPRESSLY APPROVED IN WRITING BY TWO AUTHORIZED ST REPRESENTATIVES, ST PRODUCTS ARE NOT RECOMMENDED, AUTHORIZED OR WARRANTED FOR USE IN MILITARY, AIR CRAFT, SPACE, LIFE SAVING, OR LIFE SUSTAINING APPLICATIONS, NOR IN PRODUCTS OR SYSTEMS WHERE FAILURE OR MALFUNCTION MAY RESULT IN PERSONAL INJURY, DEATH, OR SEVERE PROPERTY OR ENVIRONMENTAL DAMAGE. ST PRODUCTS WHICH ARE NOT SPECIFIED AS "AUTOMOTIVE GRADE" MAY ONLY BE USED IN AUTOMOTIVE APPLICATIONS AT USER'S OWN RISK.

Resale of ST products with provisions different from the statements and/or technical features set forth in this document shall immediately void any warranty granted by ST for the ST product or service described herein and shall not create or extend in any manner whatsoever, any liability of ST.

ST and the ST logo are trademarks or registered trademarks of ST in various countries.

Information in this document supersedes and replaces all information previously supplied.

The ST logo is a registered trademark of STMicroelectronics. All other names are the property of their respective owners.

© 2012 STMicroelectronics - All rights reserved

STMicroelectronics group of companies

Australia - Belgium - Brazil - Canada - China - Czech Republic - Finland - France - Germany - Hong Kong - India - Israel - Italy - Japan - Malaysia - Malta - Morocco - Philippines - Singapore - Spain - Sweden - Switzerland - United Kingdom - United States of America

www.st.com

