



CMOS Analog Switches

IH5048-IH5051

General Description

Maxim's IH5048-IH5051 analog switches are designed for applications requiring low leakage. They feature extremely low on resistance (30Ω typical) as well as quiescent power-supply current below 1μA. Switch control inputs are fully compatible with both CMOS and TTL logic.

These switches are plug-in upgrades for the original manufacturer's devices, with improved specifications for analog-signal range and switch on and off times. They are also pin-compatible with the IH5040 family of analog switches. The IH5048 series is supplied in 16-pin DIP and SO packages.

Applications

- Precision Sample-and-Hold Circuits
- Transducer and Sensor Switching
- Low-Level Signal Conditioning
- Battery-Powered Instrumentation
- Programmable-Gain Amplifiers

Features

- ◆ Low Charge Injection (10pC Typ)
- ◆ Quiescent Current Below 1mA
- ◆ TTL and CMOS Compatible
- ◆ Low On Resistance (25Ω Max for IH5048A)
- ◆ Latchup-Proof Construction

Ordering Information

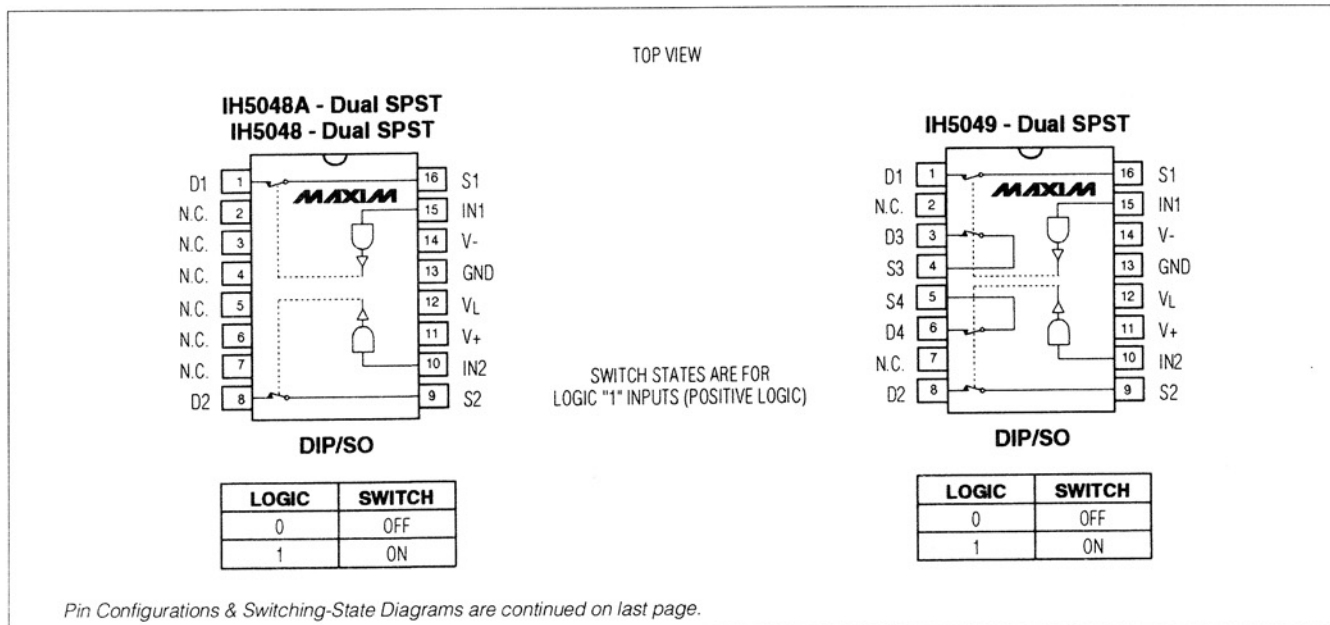
PART	TEMP. RANGE	PIN-PACKAGE
IH5048CPE	0°C to +70°C	16 Plastic DIP
IH5048CWE	0°C to +70°C	16 Wide SO
IH5048CJE	0°C to +70°C	16 CERDIP
IH5048C/D	0°C to +70°C	Dice*
IH5048MJE	-55°C to +125°C	16 CERDIP**
IH5048ACPE	0°C to +70°C	16 Plastic DIP
IH5048ACWE	0°C to +70°C	16 Wide SO
IH5048ACJE	0°C to +70°C	16 CERDIP
IH5048AC/D	0°C to +70°C	Dice*
IH5048AMJE	-55°C to +125°C	16 CERDIP**

Ordering Information continued on last page.

* Contact factory for dice specifications.

** Contact factory for availability and processing to MIL-STD-883.

Pin Configurations & Switching-State Diagrams



For pricing, delivery, and ordering information, please contact Maxim/Dallas Direct! at 1-888-629-4642, or visit Maxim's website at www.maxim-ic.com.

CMOS Analog Switches

ABSOLUTE MAXIMUM RATINGS

V+ to V-	36V
V+ to VD	30V
VD to V-	30V
VD to VS	±28V
VL to V-	33V
VL to VIN	30V
VL to GND	20V
VIN to GND	20V
Current (any terminal)	30mA
Digital Inputs	(V+ + 0.3V) to (V+ - 38V)
VS or VD (Note 1)	-0.3V to (V+ + 0.3V)

Continuous Power Dissipation (TA = +70°C)	
Plastic DIP (derate 10.53mW/°C above +70°C)	842mW
Wide SO (derate 20.00mW/°C above +70°C)	1600mW
CERDIP (derate 10.00mW/°C above +70°C)	800mW
Operating Temperature Ranges:	
IH50_C_/IH50_AC_	0°C to +70°C
IH50_M_/IH50_AM_	-55°C to +125°C
Storage Temperature Range	-65°C to +150°C
Lead Temperature (soldering, 10sec)	+300°C

Note 1: Signals on S, D, and digital inputs that exceed V- or V+ will be clamped by internal diodes. Limit forward diode current to 30mA maximum.

Stresses beyond those listed under "Absolute Maximum Ratings" may cause permanent damage to the device. These are stress ratings only, and functional operation of the device at these or any other conditions beyond those indicated in the operational sections of the specifications is not implied. Exposure to absolute maximum rating conditions for extended periods may affect device reliability.

ELECTRICAL CHARACTERISTICS

(V+ = 15V, V- = -15V, VL = 5V, TA = +25°C, unless otherwise noted.)

PARAMETER	SYMBOL	CONDITIONS	IH50_M IH50_AM			IH50_C IH50_AC			UNITS	
			-55°C	+25°C	+125°C	0°C	+25C	+70C		
Input Logic Current	IIN(ON)	VIN = 2.4V	±1	±1	±10	±1	±1	±10	µA	
	IIN(OFF)	VIN = 0.8V	±1	±1	±10	±1	±1	±10		
Input Logic Low	VIL		0.8	0.8	0.8	0.8	0.8	0.8	V	
Input Logic High	VIH		2.4	2.4	2.4	2.4	2.4	2.4	V	
Drain-Source On Resistance	rDS(ON)	IS = 10mA, VD = ±10V	IH5048A only	25	25	35	30	30	45	Ω
			All others	40	40	60	45	45	75	
Channel-to-Channel rDS(ON) Match	ΔrDS(ON)		8 (typ)			8 (typ)			Ω	
Minimum Analog Signal Handling Capability	VANALOG		±14	±14	±14	±14	±14	±14	V	
Switch-Off Leakage Current	ID/IS(OFF)	VANALOG = -10V to 10V		±1	±100		±5	±100	nA	
Switch-On Leakage Current	ID(ON) + IS(ON)	VD = VS = -10V to 10V		±2	±200		±10	±200	nA	
Switch-On Time	tON	Figure 1		400			600		ns	
Switch-Off Time	tOFF	Figure 1		200			300		ns	
Charge Injection	QINJ	Figure 2 (Note 2)		10 (typ)			10 (typ)		pC	
Minimum Off-Isolation Rejection Ratio	OIRR	Figure 3, CL < 5pF		54 (typ)			50 (typ)		dB	

CMOS Analog Switches

IH5048-IH5051

ELECTRICAL CHARACTERISTICS (continued)

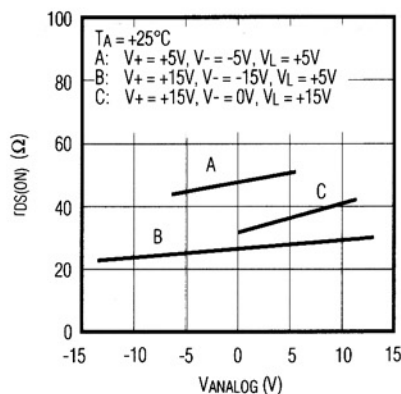
(V+ = 15V, V- = -15V, VL = 5V, TA = +25°C, unless otherwise noted.)

PARAMETER	SYMBOL	CONDITIONS	IH50_M IH50_AM			IH50_C IH50_AC			UNITS
			-55°C	+25°C	+125°C	0°C	+25C	+70C	
V+ Quiescent Current	I+Q	VIN = 0V or 5V	1	1	10	10	10	100	μA
V- Quiescent Current	I-Q	VIN = 0V or 5V	-1	-1	-10	-10	-10	-100	μA
+5V Quiescent Current	ILQ	VIN = 0V or 5V	1	1	10	10	10	100	μA
Ground Quiescent Current	IGND	VIN = 0V or 5V	1	1	10	10	10	100	μA
Minimum Channel-to-Channel Cross-Coupling Rejection Ratio	CCRR	One channel off (Note 2)		54 (typ)			50 (typ)		dB

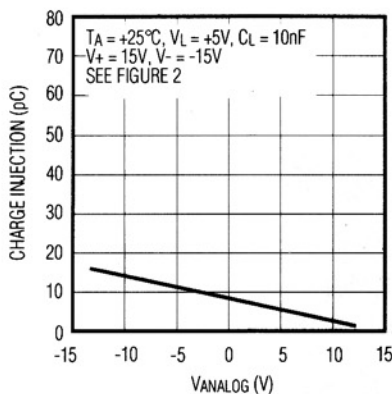
Note 2: Not production tested.

Typical Operating Characteristics

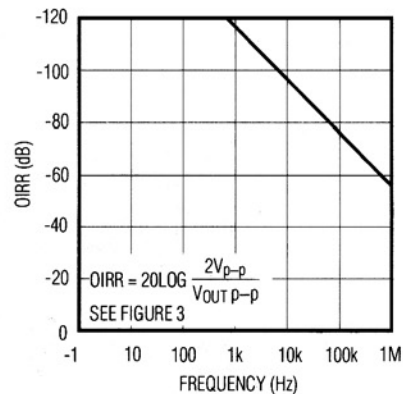
DRAIN-SOURCE ON RESISTANCE vs. ANALOG SIGNAL



CHARGE INJECTION vs. ANALOG SIGNAL



OFF-ISOLATION REJECTION RATIO (OIRR)



Test Circuits

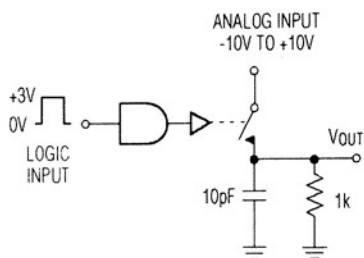


Figure 1. Switching Time

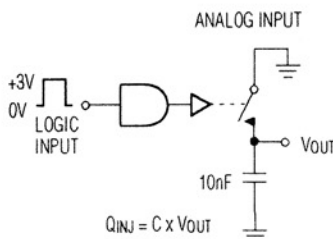


Figure 2. Charge Injection

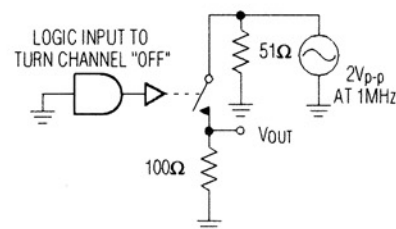
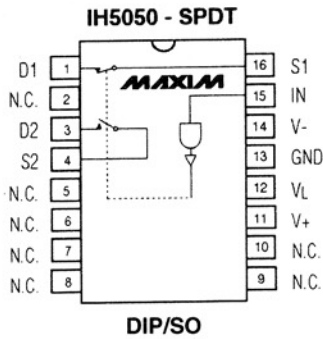


Figure 3. Off-Isolation Rejection Ratio

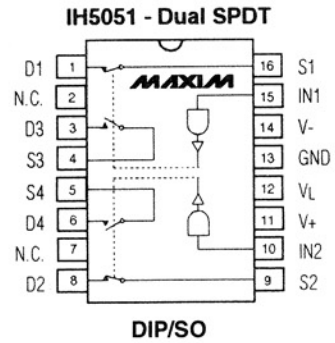
CMOS Analog Switches

Pin Configurations & Switching-State Diagrams (continued)

TOP VIEW



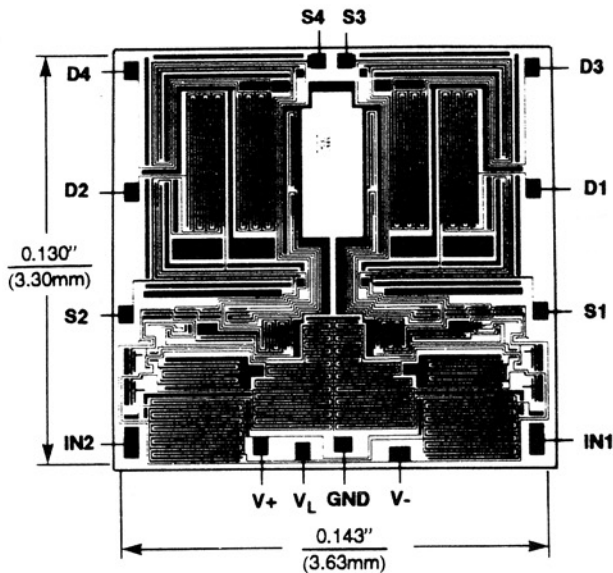
LOGIC	SWITCH 1	SWITCH 2
0	OFF	ON
1	ON	OFF



LOGIC	SWITCH 1, SWITCH 2	SWITCH 3, SWITCH 4
0	OFF	ON
1	ON	OFF

SWITCH STATES ARE FOR LOGIC "1" INPUTS (POSITIVE LOGIC)

Chip Topography



Ordering Information (continued)

PART	TEMP. RANGE	PIN-PACKAGE
IH5049CPE	0°C to +70°C	16 Plastic DIP
IH5049CWE	0°C to +70°C	16 Wide SO
IH5049CJE	0°C to +70°C	16 CERDIP
IH5049C/D	0°C to +70°C	Dice*
IH5049MJE	-55°C to +125°C	16 CERDIP**
IH5050CPE	0°C to +70°C	16 Plastic DIP
IH5050CWE	0°C to +70°C	16 Wide SO
IH5050CJE	0°C to +70°C	16 CERDIP
IH5050C/D	0°C to +70°C	Dice*
IH5050MJE	-55°C to +125°C	16 CERDIP**
IH5051CPE	0°C to +70°C	16 Plastic DIP
IH5051CWE	0°C to +70°C	16 Wide SO
IH5051ACJE	0°C to +70°C	16 CERDIP
IH5051AC/D	0°C to +70°C	Dice*
IH5051MJE	-55°C to +125°C	16 CERDIP**

* Contact factory for dice specifications.

** Contact factory for availability and processing to MIL-STD-883.

Maxim cannot assume responsibility for use of any circuitry other than circuitry entirely embodied in a Maxim product. No circuit patent licenses are implied. Maxim reserves the right to change the circuitry and specifications without notice at any time.

4 **Maxim Integrated Products, 120 San Gabriel Drive, Sunnyvale, CA 94086 (408) 737-7600**

© 1993 Maxim Integrated Products

Printed USA

MAXIM

is a registered trademark of Maxim Integrated Products.