

SMD Oscillators- CMOS Output 3.2 x 2.5 x 1.0 mm AU Series



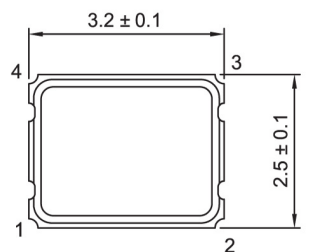
Features

- Ultra Small SMD seam sealed clock crystal oscillator units.
- RoHS Compliant / Pb Free.
- 32.768 KHz CXO available.

Electrical Specifications

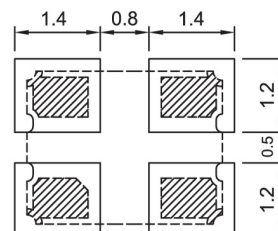
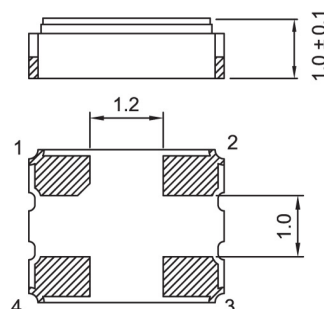
| Item / Type | AU | |
|-------------------------------------|----------------------------|---------------|
| Output Type | CMOS | |
| Output Load | 15 pF , or 30 pF | |
| Oscillation Mode | Fundamental / 3rd Overtone | |
| Supply Voltage | 1.8 V | 2.5 V , 3.3 V |
| Frequency Range | 1 ~ 106.25 MHz | |
| Frequency Stability | ± 50 ppm | |
| Operating Temperature Range | -40 ~ + 85 °C | |
| Storage Temperature Range | - 55 ~ + 125 °C | |
| Voltage Vol (Max.) / Voh (Min.) | 0.1 VDD / 0.9 VDD | |
| Rise (Tr) / Fall (Tf) Time | 10 ns Max. | |
| Supply Current | 4 mA Max. | 6 mA Max. |
| Symmetry | 45 ~ 55 % | |
| Start-up Time | 10 ms Max. | |
| Phase Jitter (12 KHz ~ 20 MHz) | 1 ps Max. | |
| Aging (at 25 °C) | ± 3 ppm / year Max. | |
| Reliability Standard | AEC-Q100 | |

Dimensions



PAD FUNCTION:
1:ENABLE CONTROL
2:GND
3:OUT
4:VDD

Suggested Layout



Units: mm

Remark : Specification subject to change without prior notice. Please confirm with our sales.