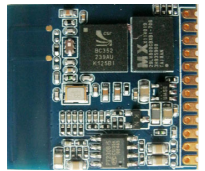


29.0 x 25.5 x 2.8 mm SMT Bluetooth Module

ABBTM-2.4GHz-33-T

Compliant to MSL level 3



29.0 x 25.5 x 2.8 mm SMT

FEATURES:

- Bluetooth Spec v1.2 Compliant
- Class 2, up to 10-meter range
- Complete 2.4GHz Bluetooth® System
- Power management: low power 1.8V operation for Bluetooth® core
- Compact size: 29.0mm (L) x 25.5 (W) mm x 2.8 (H) mm
- Bluetooth® Profile Supported: HSP, HFP, A2DP, AVRCP
- Built-in stereo codec
- Internal antenna
- Built-in audio amplifier
- Built-in power manager
- On-board flash memory (8Mbits)
- Echo cancellation software library
- Several firmware options
- Rewritable flash memory for easy upgrade route

APPLICATIONS:

- Automotive car kit applications
- PDAs and other portable terminals
- Car radio/Car DVD

GENERAL DESCRIPTION

Abracon's ABBTM-2.4GHz-33-T module is a complete Bluetooth® solution built on CSR BC03 MultiMedia External Core, supported by 8Mbit on-board Flash Memory. ABBTM-2.4GHz-33-T is a short range, compact, cost effective solution designed to facilitate Bluetooth® connectivity for applications including Car & Home Audio and other Handsfree solutions.

ABBTM-2.4GHz-33-T module is a Power Class-2 Bluetooth® device, compliant with version 1.2 specification. The overall architecture comprises of built-in antenna and supporting circuitry for software protocols including L2CAP, SDP, GAP, HSP, HFP, A2DP and AVRCP, resident in the on-board Flash Memory.

ELECTRICAL SPECIFICATIONS:

Operating Frequency Band	2.4GHz ~ 2.48GHz Unlicensed ISM Band
Bluetooth Specification	V1.2
Output Power Class	Class 2
Operating Voltage	+3.3V and +5.0V
Host Interface	UART
Flash Memory Size	8 MB

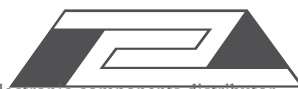
Absolute Maximum Ratings

	Minimum	Maximum
Storage temperature	-40°C	+150°C
Supply voltage: VBAT	-0.30V	3.6V

Recommended Operating Conditions

	Minimum	Maximum
Operating temperature range	-40°C	+85°C
Supply voltage: Vcc	+3.0V	+3.6V
Supply voltage: Vdd	+1.7V	+1.9V

ABRACON IS
ISO 9001:2008
CERTIFIED



ABRACON
CORPORATION

Visit www.abracon.com for Terms & Conditions of Sale

Revised: 07.17.12

30332 Esperanza, Rancho Santa Margarita, California 92688

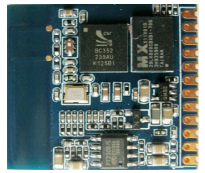
tel 949-546-8000 | fax 949-546-8001 | www.abracon.com

29.0 x 25.5 x 2.8 mm SMT Bluetooth Module

ABBTM-2.4GHz-33-T



RoHS
Compliant



29.0 x 25.5 x 2.8 mm SMT

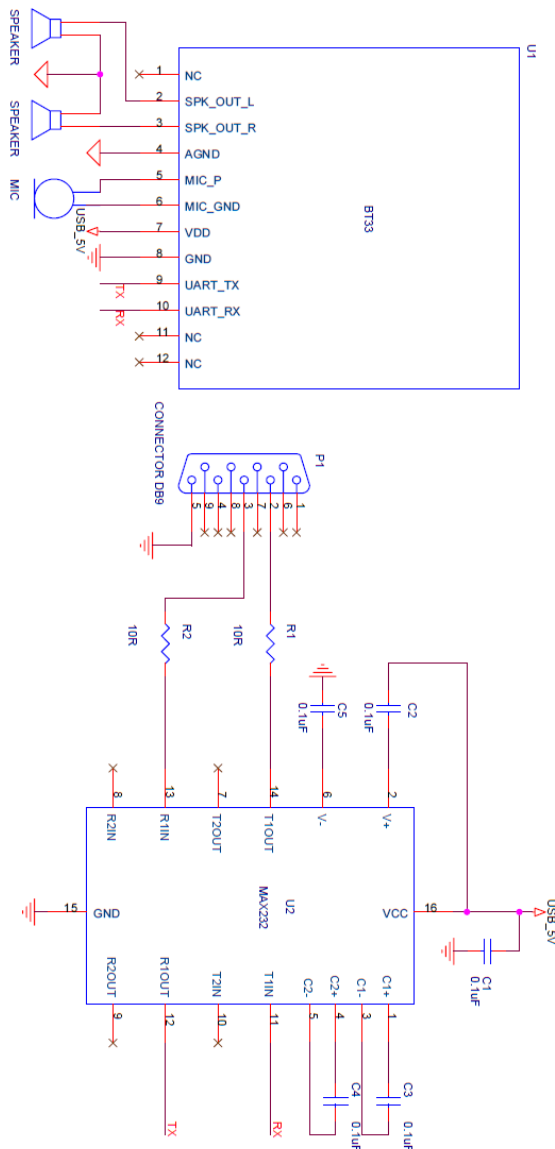
Firmware Configuration

- a) UART Baud: 115200 , N, 8, 1
- b) BlueTooth Name: BlueAudio
- c) Pin Code: 0000

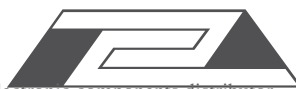
Software Description

1. After Power on 3V3, the module is connectable and Pairing
2. ABBTM-2.4GHz-33-T can be found with the name “BlueAudio” via any Bluetooth device
3. Input the Pincode “0000”, you can pair with the module named “BlueAudio”
4. Then the BlueAudio can be connected
5. Data can be transferred between the BlueAudio and any other Bluetooth device

APPLICATION SCHEMATIC



ABRACON IS
ISO 9001:2008
CERTIFIED



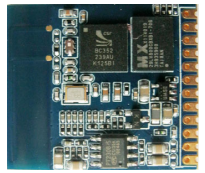
ABRACON
CORPORATION

Visit www.abracon.com for Terms & Conditions of Sale
30332 Esperanza, Rancho Santa Margarita, California 92688
tel 949-546-8000 | fax 949-546-8001 | www.abracon.com

Revised: 07.17.12

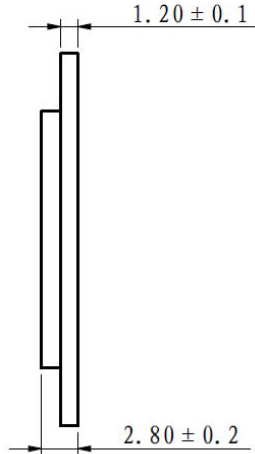
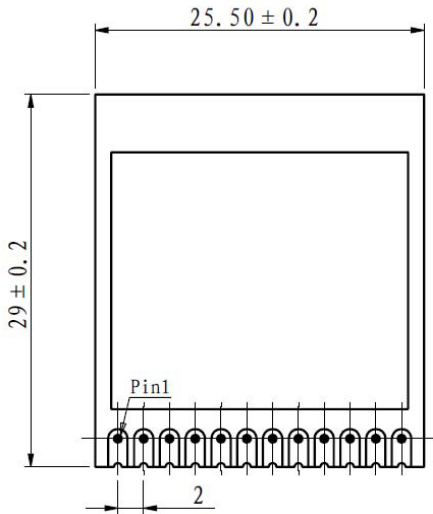
29.0 x 25.5 x 2.8 mm SMT Bluetooth Module

ABBTM-2.4GHz-33-T

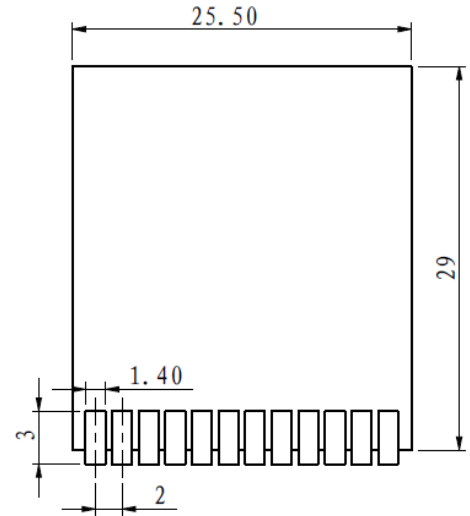


29.0 x 25.5 x 2.8 mm SMT

MECHANICAL DIMENSIONS



Recommended Land Pattern



Note: Specified dimensions without tolerance are listed for reference purposes only. Dimensions: mm.

PIN DESCRIPTION

Pin No.	Name	Type	Function
1	NC	Input / Output	Not used currently
2	SPK_OUT_L	Output	Left channel audio out
3	SPK_OUT_R	Output	Right channel audio out
4	AGND	Ground	Analog ground
5	MIC_P	Input	Microphone positive pole input, internal power supply
6	MIC_GND	Ground	Microphone ground
7	VDD	Input	Power supply, +3.3V ~ +5V
8	GND	Ground	Power ground
9	UART_TX	Output	UART data output
10	UART)RX	Input	UART data input
11	NC	Input / Output	Not used currently
12	NC	Input / Output	Not used currently

