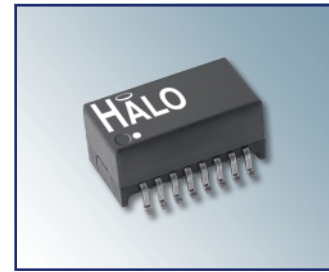
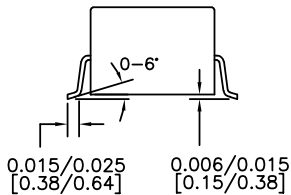
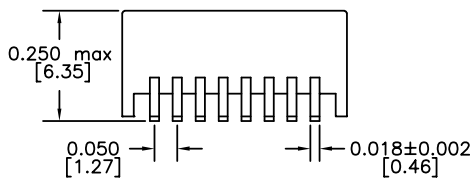
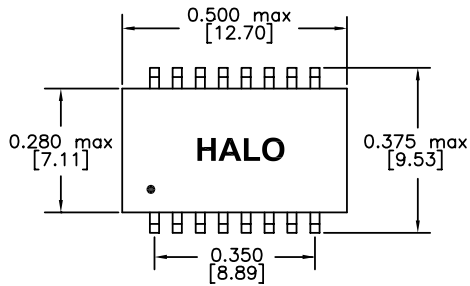


HALO Electronics is pleased to offer the E-Ultra™, the industry's first extended temperature range SOIC-16 Fast Ethernet magnetic module. The IEEE802.3 compliant Ultra™ series was originally developed by HALO as the first miniature 10/100 solution for real estate and cost sensitive applications. The E-Ultra™ now offers the same high performance over the industrial temp. range of -40 to +85C. Standard devices are available for all leading silicon vendors' Phy's.



### N5 Package



DIMENSIONS : Inch[mm]  
CO-PLANARITY : 0.004[0.10]

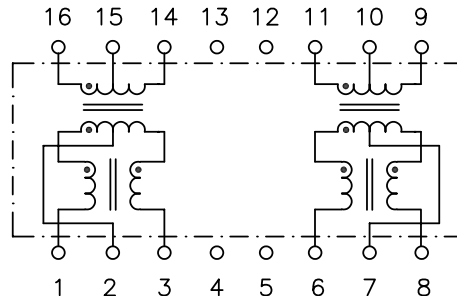
### Patented Construction

US Pat Nbrs: 5,656,985  
6,297,721 B1  
6,297,720 B1  
6,320,489 B1  
6,344,785 B1

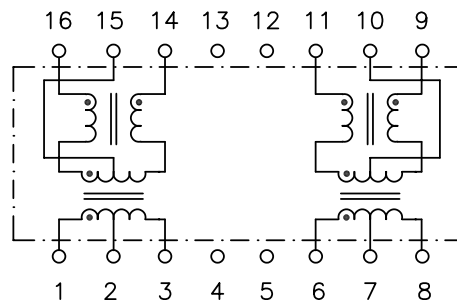
### Electrical Specifications @ 25°C

Operating Temp: -40 to +85°C  
CMR (0.1-100MHz): -40dB typ  
Crosstalk (0.1-100MHz): -40dB min  
Isolation Voltage: 1,500Vrms  
OCL @100KHz, 8mA: 350µH min (over full temp. range)

### Schematic A



### Schematic B



RoHS compliant versions are available.

Specify RoHS compliant product by adding the suffix "RL".

Part Number	Turns Ratio +/- 3% (1-3:16-14)/(6-8:11-9)	Circuit Schematic	PRI/SEC Cw/w (pF typ)	PRI DCR (Ωmax)
TG110-E050N5	(1CT:1CT) / (1CT:1CT)	A	25	1.0
TG110-E055N5	(1CT:1CT) / (1CT:1CT)	B	25	1.0
TG110-E120N5	(2CT:1CT) / (1CT:1CT)	B	25	1.3
TG110-E125N5	(1CT:1CT) / (2CT:1CT)	B	25	1.3
TG110-E139N5	(1.25CT:1CT) / (1CT:1CT)	B	25	1.3