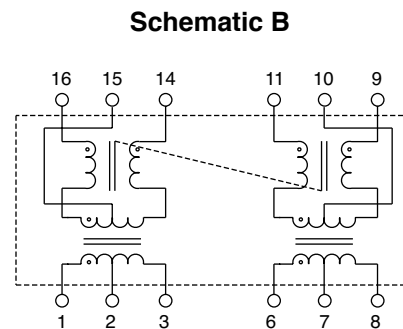
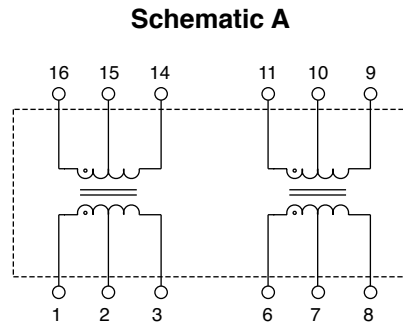
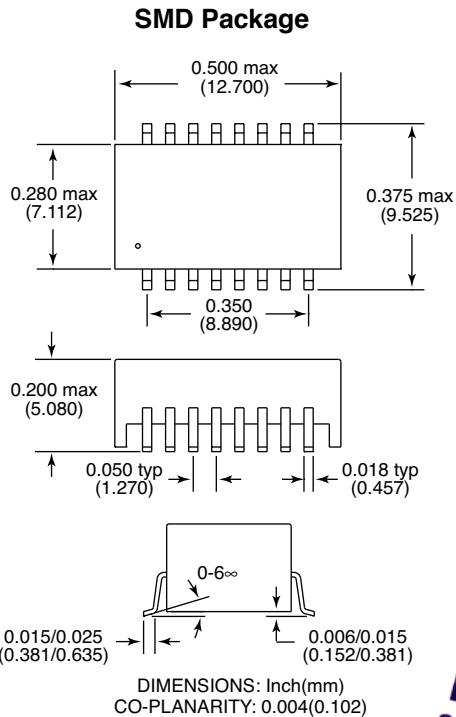
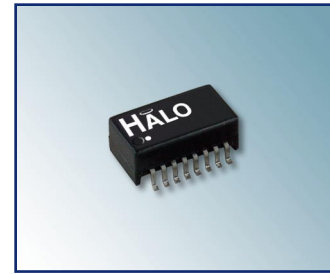


HALO Electronics has developed this standard series of 16 PIN SOIC Isolation Modules to meet the isolation and impedance matching requirements of IEEE 802.3 for 10BASE-T. UL60950, IEC60950 and EN60950 recognized.

To select the correct isolation module, please refer to the HALO 10BASE-T Selector Guide at www.haloelectronics.com/10base-t-modules.html



Electrical Specifications @ 25°C
Pri /Sec Isolation: 2,000Vrms
Insulation Resistance: 10,000 MΩ

ROHS-5 compliant parts are also available

Patented Construction

US Pat Nbrs: 5,656,985 6,297,721 B1
6,297,720 B1 6,320,489 B1
6,344,785 B1 6,662,431 B1

Part Number	Turns Ratio ±3% (1-3:16-14) / (6-8:11-9)	PRI OCL (μH)	PRI/SEC Cw/w (pF max)	PRI LL (μH max)	PRI DCR (Ω max)	Schematic
TG04-1006N1RL	(1CT:1CT) / (1CT:1CT)	100 Typ	9	0.3	0.3	A
TG04-2006N1RL	(1CT:1CT) / (1CT:1CT)	200 Typ	15	0.3	0.4	A
TG41-2006NRL	(1CT:1CT) / (1CT:2.5CT)	200/35 Min	15	0.4	0.5	B
TG42-1406N1RL	(1CT:1CT) / (1CT:√2CT)	140 Typ	15	0.4	0.3	A
TG43-1406NRL	(1CT:1CT) / (1CT:√2CT)	140 Typ	15	0.4	0.3	B
TG62-1006N1RL	(2CT:1CT) / (1CT:1CT)	150 Min	10	0.6	0.35	A
TG66-1006NRL	(2CT:1CT) / (1CT:1CT)	150 Min	10	0.9	0.35	B
TG74-1406N1RL	(1CT:1CT) / (1CT:2CT)	140/25 Typ	15	0.4	0.3	A
TG75-1406NRL	(1CT:1CT) / (1CT:2CT)	140/25 Typ	15	0.4	0.3	B
TG81-1006NRL	(1CT:1CT) / (1CT:1CT)	100 Typ	9	0.3	0.3	B
TG84-2006N1RL	(1CT:2CT) / (1CT:1CT)	50/200 Min	11	0.15	0.5	A
TG86-2006NRL	(1CT:2CT) / (1CT:1CT)	50/200 Min	11	0.3	0.5	B
TG92-2006N1RL	(1CT:1CT) / (1CT:2.5CT)	200/35 Min	15	0.4	0.5	A