



**Ordering number C10891\_GT3-S**

Family	Gt3	FWHM	16 degrees
Type	Lens	Efficiency	91 %
LED	LUXEON Rebel	cd/lm	-
Color	Transparent	Gerber File	Available
Diameter	35 mm		
Height	9 mm		
Style	Round	MR11 applications	
Optic Material	PMMA		
Holder Material	-		
Fastening	Pin, glue		
Status	Ready		



**Ordering number C10892\_GT3-M**

Family	Gt3	FWHM	28 degrees
Type	Lens	Efficiency	89 %
LED	LUXEON Rebel	cd/lm	-
Color	Transparent	Gerber File	Available
Diameter	35 mm		
Height	9 mm		
Style	Round	MR11 applications	
Optic Material	PMMA		
Holder Material	-		
Fastening	Pin, glue		
Status	Ready		



**Ordering number C10893\_GT3-W**

Family	Gt3	FWHM	38 degrees
Type	Lens	Efficiency	85 %
LED	LUXEON Rebel	cd/lm	-
Color	Transparent	Gerber File	Available
Diameter	35 mm		
Height	9 mm		
Style	Round	MR11 applications	
Optic Material	PMMA		
Holder Material	-		
Fastening	Pin, glue		
Status	Ready		



**Ordering number C11624\_GT3-WW**

Family	Gt3	FWHM	46 degrees
Type	Lens	Efficiency	89 %
LED	LUXEON Rebel	cd/lm	-
Color	Transparent	Gerber File	Available
Diameter	35 mm		
Height	9 mm		
Style	Round	MR11 applications	
Optic Material	PMMA		
Holder Material	-		
Fastening	Pin, glue		
Status	Ready		



# PRODUCT DATASHEET

## Gt3 series

last update 23/11/2011



**NOTE: The typical divergence will be changed by different color, chip size and chip position tolerance. The typical total divergence is the full angle measured where the luminous intensity is half of the peak value.**



# PRODUCT DATASHEET

## Gt3 series

last update 23/11/2011



### GENERAL INFORMATION

- Product series especially designed & optimized for LUXEON Rebel series of LEDs.
- Special care taken to make light distribution as uniform as possible.
- Lens material optical grade PMMA with high UV and temperature resistance (105 degrees of Celcius / 220 degrees of Fahrenheit). Allows use of high current and temperature conditions.

Please find more information about used material from below:

[http://ledil.fi/sites/default/files/Documents/Technical/Material/PMMA%20N%20UL94\\_Yellow%20Card.pdf](http://ledil.fi/sites/default/files/Documents/Technical/Material/PMMA%20N%20UL94_Yellow%20Card.pdf)

<http://ledil.fi/sites/default/files/Documents/Technical/Material/PMMA%20N%20PLEXIGLAS-Datasheet.pdf>

- Fastening to PCB with appropriate adhesive. By clicking link below you can find Ledil recommended glue options.

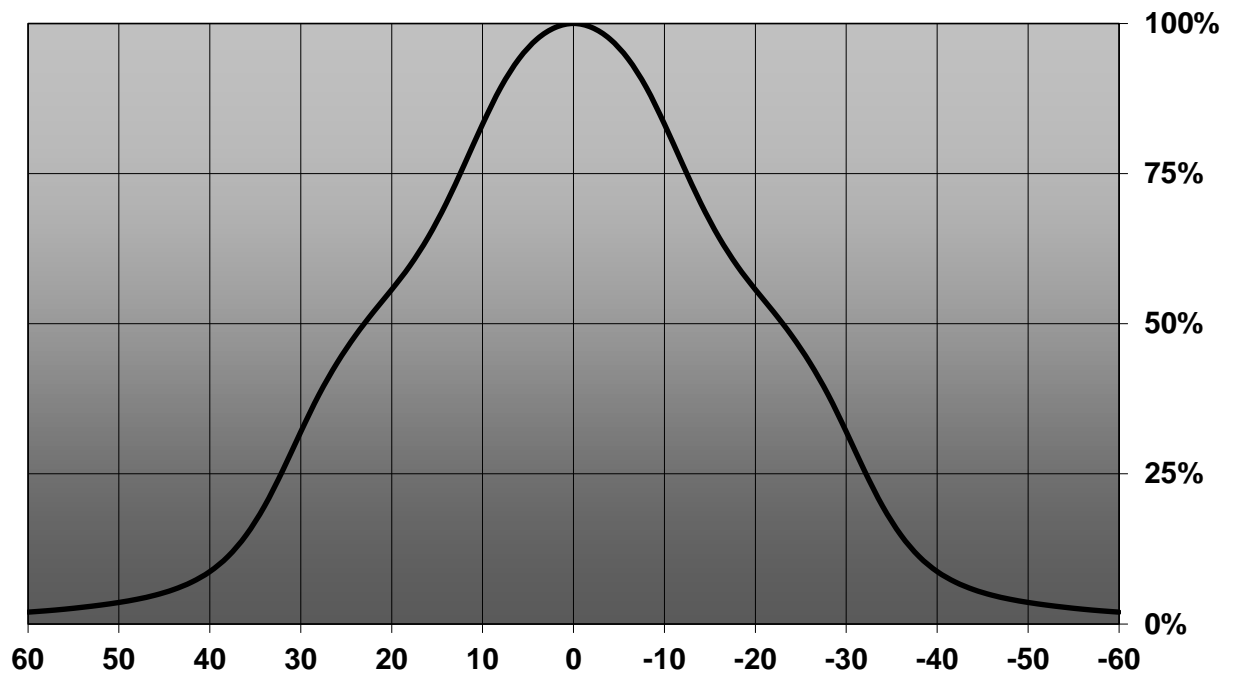
[http://www.ledil.com/datasheets/DataSheet\\_GLUES.pdf](http://www.ledil.com/datasheets/DataSheet_GLUES.pdf)

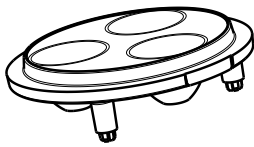
**NOTE 1: We advise customer to ensure the suitability and sufficiency of the bond in the end product. For example, mechanical stress, vibration and holes on the surface of the circuit board weaken the strength of the glue.**

**NOTE 2: All surfaces where glue is applied must be clean, dry and free from grease and dirt. If cleaning of PCB surfaces is needed, please follow strictly the cleaning instructions of your LED manufacturer -this is important as cleaning shall under no circumstances damage LEDs or other electronics components on the PCB.**

**Further note that optical components shall not be cleaned with any chemicals - only micro fiber cloth may be used to remove fingerprints or other traces from handling.**

Relative intensity of C11624-GT3-RE-WW



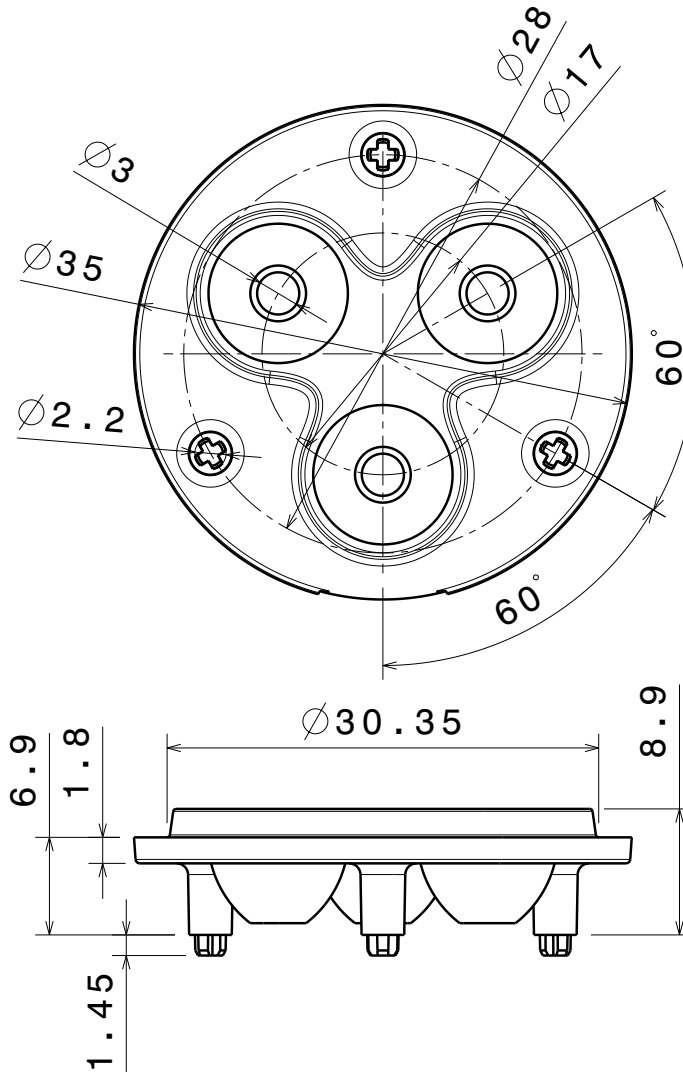


Isometric view  
Scale: 1:1

Material: PMMA

Part no.s:

- C10891\_GT3-XP-S
- C10891\_GT3-XP-G-S
- C10891\_GT3-OSL-S
- C10891\_GT3-DD-S
- C10891\_GT3-RE-ES-M
- C10891\_GT3-Z5-S
- C10892\_GT3-XP-M
- C10892\_GT3-XP-G-M
- C10892\_GT3-OSL-M
- C10892\_GT3-DD-M
- C10892\_GT3-XP-M
- C10892\_GT3-Z5-M
- C10893\_GT3-XP-W
- C10893\_GT3-XP-G-W
- C10893\_GT3-OSL-W
- C10893\_GT3-DD-W
- C10893\_GT3-RE-ES-W
- C11623\_GT3-RE-WW
- C11623\_GT3-N19-WW
- C11624\_GT3-XP-WW
- C11624\_GT3-XP-G-WW
- C11624\_GT3-OSL-WW
- C11624\_GT3-DD-WW
- C11624\_GT3-Z5-WW



Bottom view

Front view

This drawing is our property.  
It can't be reproduced  
or communicated without  
our written agreement.



L  
T  
F  
F

e  
e  
i  
n

d

DRAWING TITLE

Datasheet GT3-Series Lens

DRAWN BY

p

DATE

08.01.2010

CHECKED BY

t k

DATE

07.01.2010

SIZE

A4

DRAWING NUMBER

-

REV

1

DESIGNED BY

hh

DATE

07.01.2010

SCALE

2:1

WEIGHT (g)

SHEET

1/1

D

A