

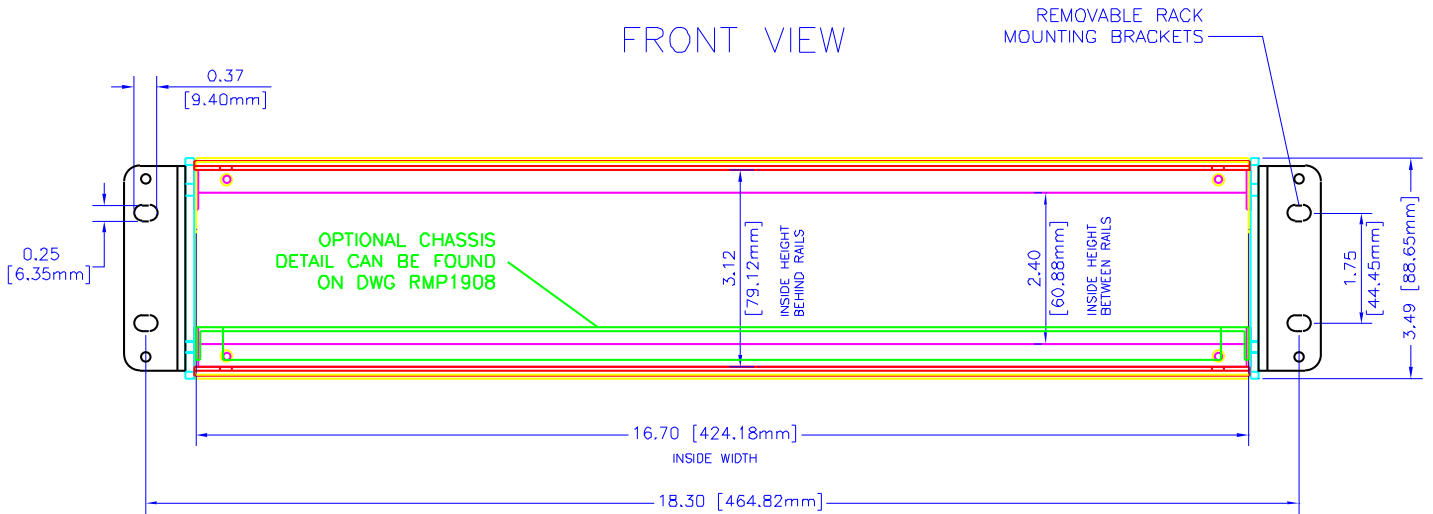
REV	DESCRIPTION	DATE
A	CORRECTED BACK MOUNT BRACKET DETAIL	10/11/01

NOTES

MATERIAL TOP & BOTTOM 0.062" STEEL, SIDES, FRONT, REAR & HORIZONTAL SUPPORTS 0.125" ALUMINUM, DIMENSIONS ARE TAKEN WITH THE PAINTED SURFACE

FINISH TOP, BOTTOM & SIDE PANELS, TEXTURED BLACK, FRONT/REAR PANELS ON SMOOTH BLACK, ONE CONTEMPRA GRAY (RAL 7032), ALL POWDER PAINT,

FRONT VIEW



UNLESS OTHERWISE SPECIFIED DIMENSIONS ARE IN INCHES	
Ø	∅
XX	∅
XXX	∅
SPTS	∅
ANGLES	∅

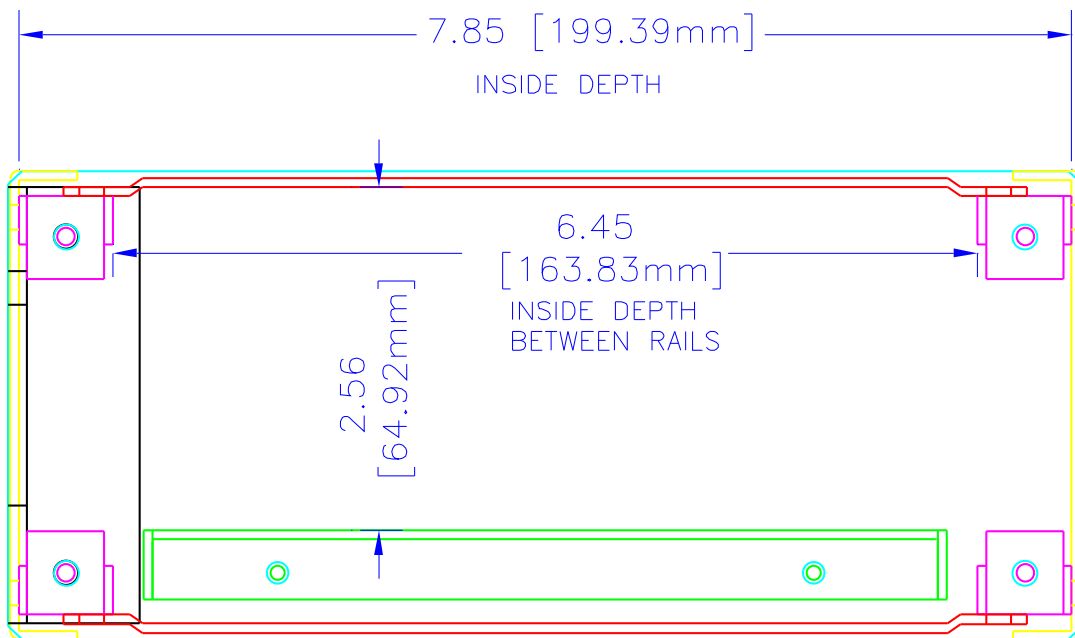


**HAMMOND
MANUFACTURING**

WEB: WWW.HAMMONDMFG.COM

TITLE	
HAMMOND RMCS SERIES RACK ENCLOSURE	
DESIGN BY	MJM
DATE	09/17/01
SCALE	PAGE 1 OF 3
PART NUMBER	
RMCS19038	

SIDE VIEW



UNLESS OTHERWISE SPECIFIED
DIMENSIONS ARE IN INCHES

XX	+/- .1
XX	+/- .05
XX	+/- .015
CUTS	+/- .005
ANGLES	+/- 0.001

UNLESS OTHERWISE SPECIFIED
DIMENSIONS ARE IN MILLIMETERS

XX	+/- .25
XX	+/- .125
XX	+/- .05
CUTS	+/- .01
ANGLES	+/- 0.05

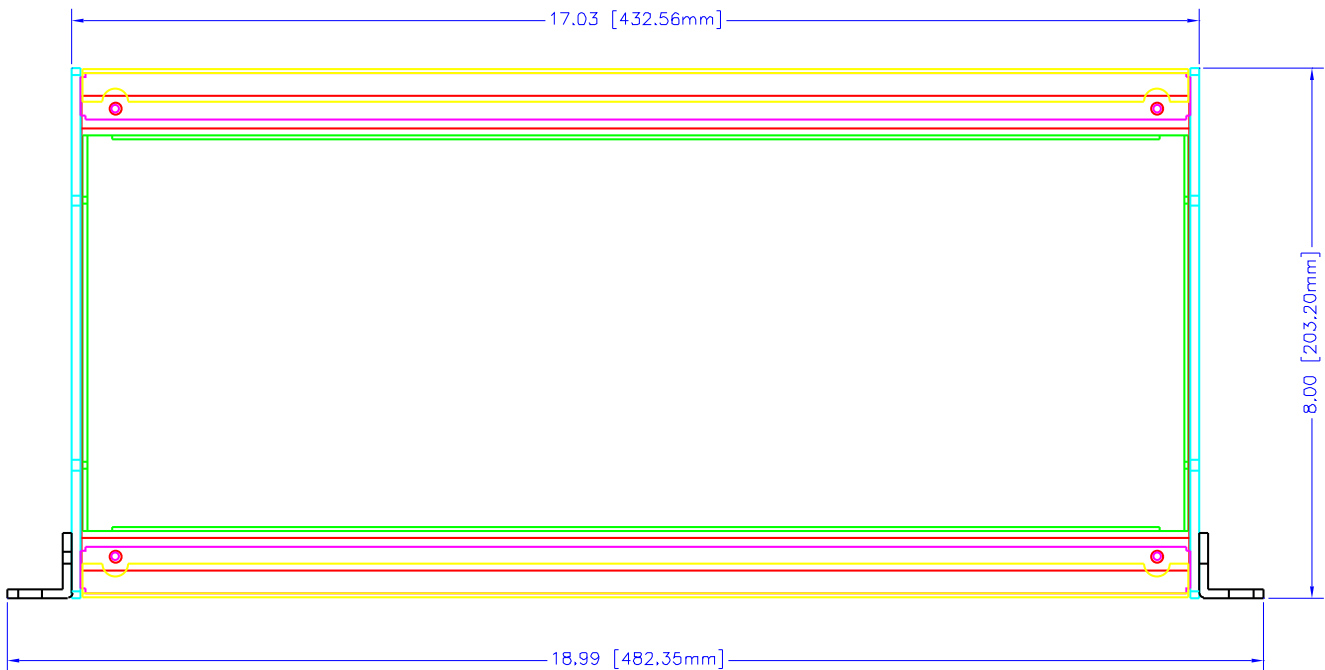


**HAMMOND
MANUFACTURING**

WEB: WWW.HAMMONDMFG.COM

TITLE		HAMMOND RMCS SERIES RACK ENCLOSURE	
DRAWN BY	NUM	DATE	09/17/01
SCALE		PAGE	2 OF 3
PART NUMBER		RMCS19038	

TOP VIEW



UNLESS OTHERWISE SPECIFIED DIMENSIONS ARE IN INCHES	
FR	+/- .1
XX	+/- .05
XXX	+/- .015
CUTS	+/- .005
ANGLES	+/- .5 DEG
TOLERANCES UNLESS OTHERWISE SPECIFIED TO THE MATERIAL OR THIS DRAWING, IT IS ASSUMED TO BE SHOWN AS A FRACTION FOR DECIMALS, WHOLE NUMBERS FOR INCHES, AND DECIMALS FOR METRIC DIMENSIONS. UNLESS OTHERWISE SPECIFIED, DIMENSIONS ARE TO BE TAKEN TO THE CENTERLINE OF THE PART.	



**HAMMOND
MANUFACTURING**

WEB: WWW.HAMMONDMFG.COM

TITLE		HAMMOND RMCS SERIES RACK ENCLOSURE	
DESIGN BY	NJM	DATE	09/17/01
SCALE		PAGE	3 OF 3
PART NUMBER		RMCS19038	