

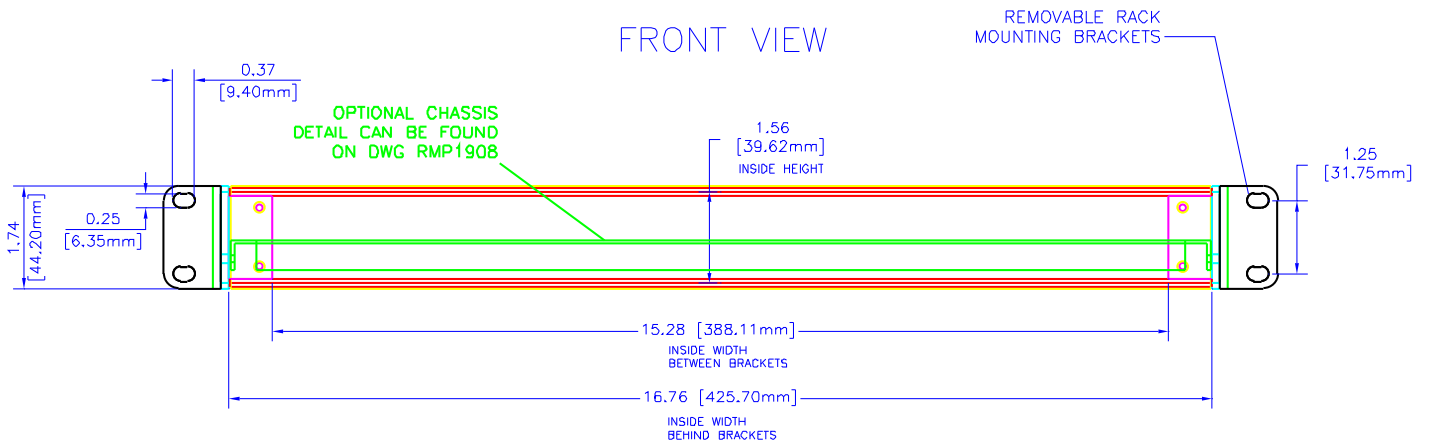
| REV | DESCRIPTION | DATE |
|-----|-------------------------------------|----------|
| A | CORRECTED RACK MOUNT BRACKET DETAIL | 10/11/01 |
| | | |
| | | |
| | | |

NOTES

MATERIAL TOP & BOTTOM 0.062" STEEL, SIDES, FRONT, REAR & HORIZONTAL SUPPORTS 0.125" ALUMINUM, DIMENSIONS ARE TAKEN WITH THE PAINTED SURFACE

FINISH TOP, BOTTOM & SIDE PANELS, TEXTURED BLACK, FRONT/REAR PANELS ON SMOOTH BLACK, ONE CONTEMPRA GRAY (RAL 7032), ALL POWDER PAINT.

FRONT VIEW



UNLESS OTHERWISE SPECIFIED
DIMENSIONS ARE IN INCHES

| | |
|-----------|-----------------------|
| IN | 1/16 - 1 |
| XX | 1/32 |
| XXX | 1/64 |
| FRACTIONS | 1/2, 3/4, 1, 1 1/2, 2 |
| ANGLES | 1/2, 5 DEG |

UNLESS OTHERWISE SPECIFIED, FINISHES TO BE USED AS A FINISHING AND PROTECTIVE OPERATION ONLY. THIS INFORMATION IS NOT TO BE USED AS A FINISHING AND PROTECTIVE OPERATION. FINISHES TO BE USED AS A FINISHING AND PROTECTIVE OPERATION. FINISHES TO BE USED AS A FINISHING AND PROTECTIVE OPERATION.

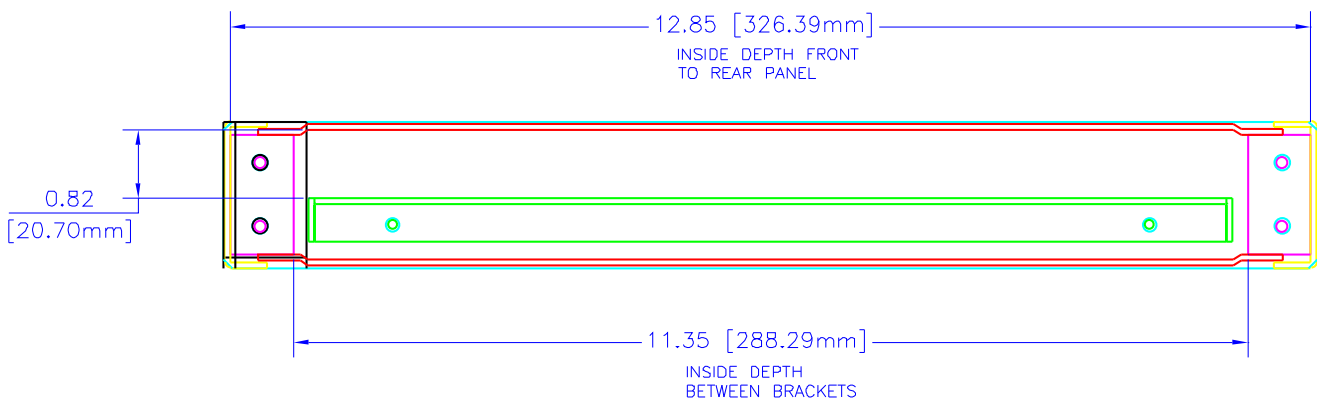


WEB: WWW.HAMMONDMFG.COM

TITLE HAMMOND RMCV SERIES
RACK ENCLOSURE

| | | | |
|--------------------|------------|-------------|----------|
| DRAWN BY | MJM | DATE | 10/04/01 |
| SCALE | | PAGE | 1 OF 3 |
| PART NUMBER | RMCV190113 | | |

SIDE VIEW



UNLESS OTHERWISE SPECIFIED
DIMENSIONS ARE IN INCHES
FRACTIONS
XX 1/8 32
XXX 1/16 64
XXX 1/32 128
XXX 1/64 256
DECIMALS 1/1000 1000
INCHES 1/8 16
TOLERANCES
FRACTIONS
INCHES 1/8 16
DECIMALS 1/1000 1000
UNLESS OTHERWISE SPECIFIED
DIMENSIONS ARE IN INCHES
FRACTIONS
XX 1/8 32
XXX 1/16 64
XXX 1/32 128
XXX 1/64 256
DECIMALS 1/1000 1000
INCHES 1/8 16
TOLERANCES
FRACTIONS
INCHES 1/8 16
DECIMALS 1/1000 1000

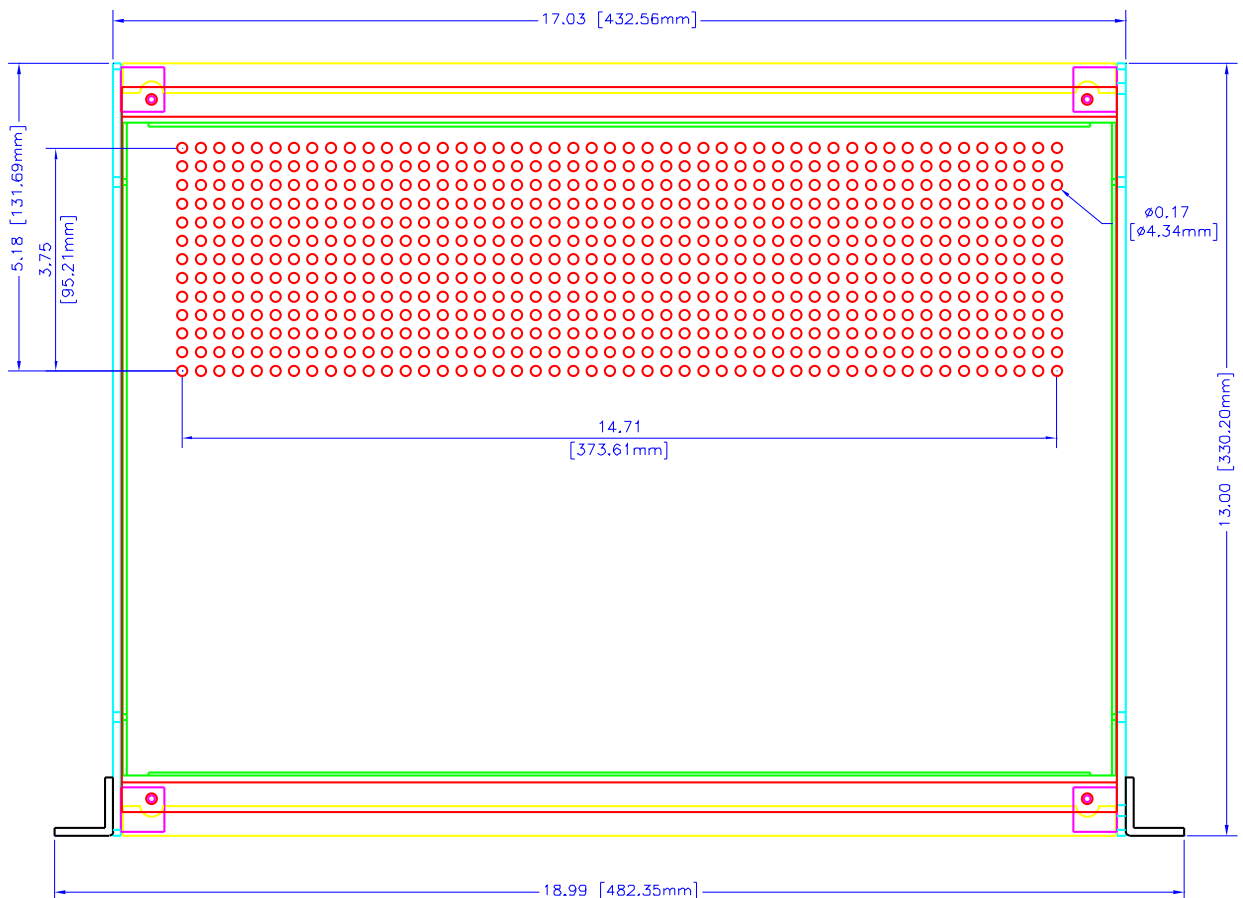


**HAMMOND
MANUFACTURING**

WEB: WWW.HAMMONDMFG.COM

| | | | |
|-------------|-----|---------------------------------------|----------|
| TITLE | | HAMMOND RMCV SERIES RACK ENCLOSURE | |
| DESIGN BY | MJM | DATE | 10/04/01 |
| DRAWN BY | | PAGE | 2 OF 3 |
| PART NUMBER | | RMCV190113 | |

TOP VIEW

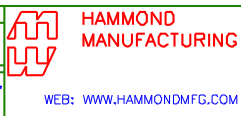


UNLESS OTHERWISE SPECIFIED
DIMENSIONS ARE IN INCHES

| | |
|--------|------------|
| IN | +/- .1 |
| XX | +/- .02 |
| XXX | +/- .010 |
| FOUR | +/- .005 |
| ANGLES | +/- .5 DEG |

SHOWN

UNLESS STATED OTHERWISE, HAMMOND MANUFACTURING SHALL BE RESPONSIBLE FOR THE ACCURACY OF THIS DRAWING. IT IS HEREBY ADVISED THAT THIS DRAWING IS NOT TO BE USED AS A MANUFACTURING TOOL. HAMMOND MANUFACTURING SHALL BE RESPONSIBLE FOR THE ACCURACY OF THIS DRAWING. IT IS HEREBY ADVISED THAT THIS DRAWING IS NOT TO BE USED AS A MANUFACTURING TOOL.



| | | | |
|-------------|-----|---------------------------------------|----------|
| TITLE | | HAMMOND RMCV SERIES RACK ENCLOSURE | |
| DRAWN BY | MJM | DATE | 10/04/01 |
| SCALE | | PAGE | 3 OF 3 |
| PART NUMBER | | RMCV190113 | |