

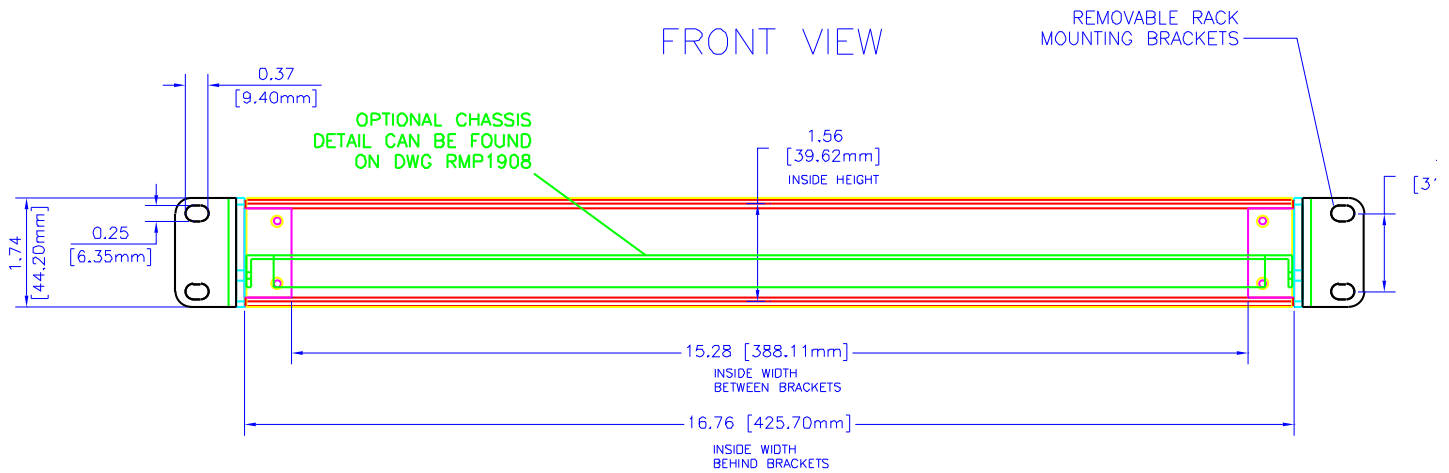
REV	DESCRIPTION	DATE
A	CORRECTED RACK MOUNT BRACKET DETAIL	10/11/01

NOTES

MATERIAL TOP & BOTTOM 0.062" STEEL, SIDES, FRONT, REAR & HORIZONTAL SUPPORTS 0.125" ALUMINUM. DIMENSIONS ARE TAKEN WITH THE PAINTED SURFACE

FINISH TOP, BOTTOM & SIDE PANELS, TEXTURED BLACK. FRONT/REAR PANELS ON SMOOTH BLACK, ONE CONTEMPRA GRAY (RAL 7032). ALL POWDER PAINT.

FRONT VIEW



UNLESS OTHERWISE SPECIFIED
DIMENSIONS ARE IN INCHES

FRACTIONS: 1/16, 1/8, 1/4, 3/8, 1/2, 5/8, 3/4, 7/8

DECIMALS: .0005, .001, .002, .005, .010, .015, .020, .030, .040, .050, .060, .070, .080, .090, .100, .125, .150, .175, .200, .250, .300, .350, .400, .450, .500, .550, .600, .650, .700, .750, .800, .850, .900, .950, 1.000

ANGLES: 15, 30, 45, 60, 75, 90, 105, 120, 135, 150, 165, 180

UNLESS OTHERWISE SPECIFIED, ALL DIMENSIONS ARE TO BE TAKEN TO THE CENTER OF THE FEATURE UNLESS INDICATED OTHERWISE.

MANUFACTURE PRECISION: FRACTIONS: 1/16, 1/8, 1/4, 3/8, 1/2, 5/8, 3/4, 7/8; DECIMALS: .0005, .001, .002, .005, .010, .015, .020, .030, .040, .050, .060, .070, .080, .090, .100, .125, .150, .175, .200, .250, .300, .350, .400, .450, .500, .550, .600, .650, .700, .750, .800, .850, .900, .950, 1.000



**HAMMOND
MANUFACTURING**

WEB: WWW.HAMMONDMFG.COM

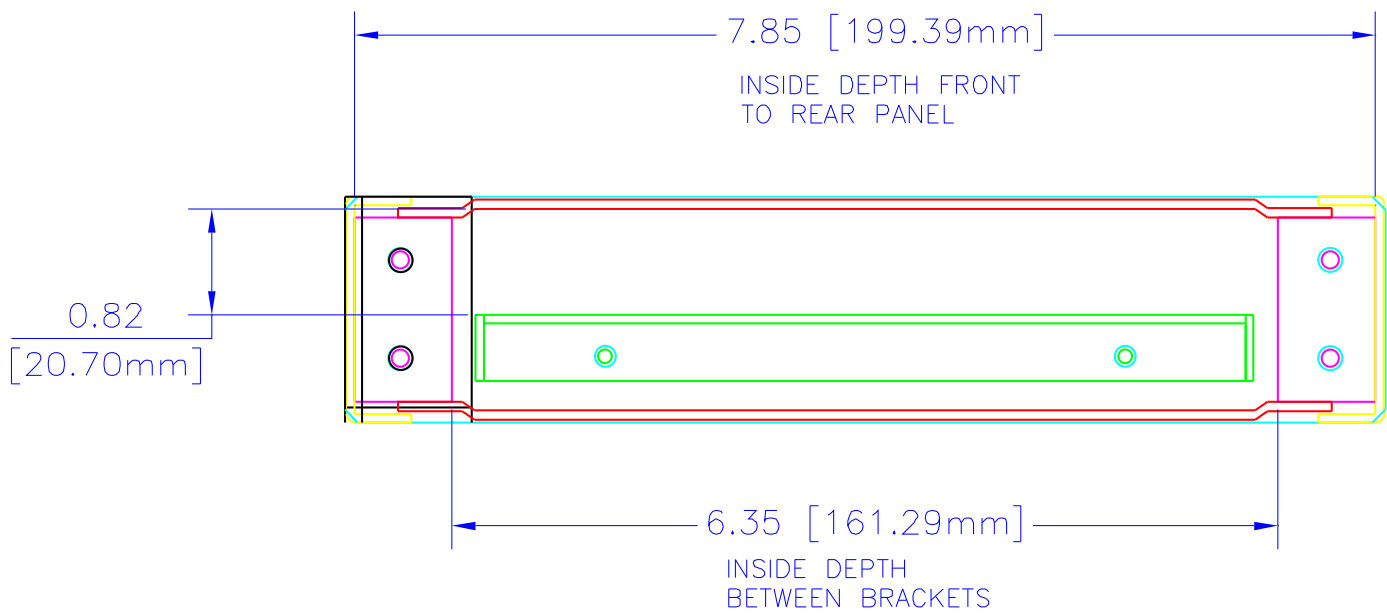
TITLE: HAMMOND RMCV SERIES
RACK ENCLOSURE

DRAWN BY: MJM DATE: 10/04/01

SCALE: PAGE: 1 OF 3

PART NUMBER: RMCV19018

SIDE VIEW



UNLESS OTHERWISE SPECIFIED
DIMENSIONS ARE IN INCHES
— +/— .1
XX +/— .02
XXX +/— .015
SURF +/— .005
ANGLES +/— 5 DEG

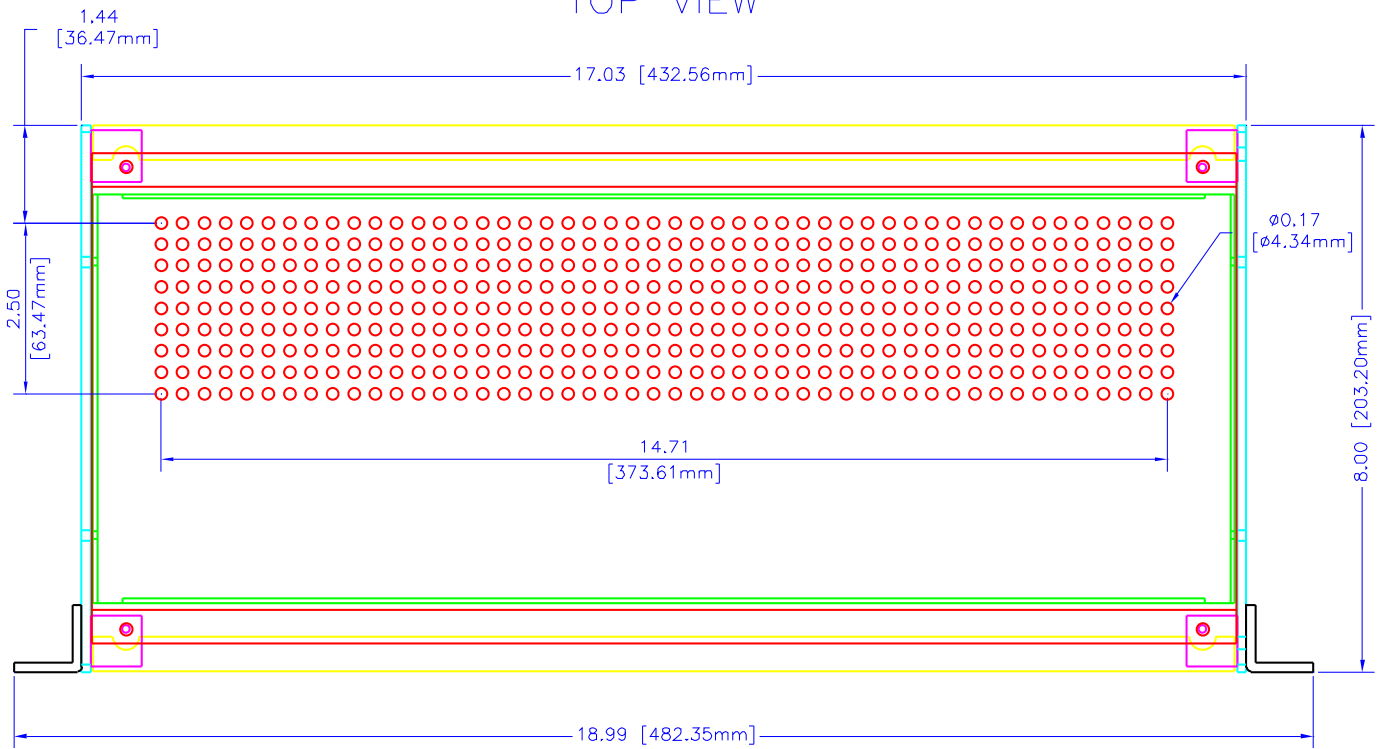


**HAMMOND
MANUFACTURING**

WEB: WWW.HAMMONDMFG.COM

TITLE
HAMMOND RMCV SERIES
RACK ENCLOSURE
DRAWN BY MJM DATE 10/04/01
SCALE PAGE 2 OF 3
PART NUMBER
RMCV19018

TOP VIEW



UNLESS OTHERWISE SPECIFIED	
DIMENSIONS ARE IN INCHES	
FR	+/- .01
XX	+/- .03
XXX	+/- .015
XXXX	+/- .008
INCHES	+/- .010
MILLIMETERS	
UNLESS OTHERWISE SPECIFIED	
DIMENSIONS ARE IN MILLIMETERS	
FR	+/- .13
XX	+/- .38
XXX	+/- .15
XXXX	+/- .08
MILLIMETERS	+/- .25



**HAMMOND
MANUFACTURING**

WEB: WWW.HAMMONDMFG.COM

TITLE		HAMMOND RMCV SERIES RACK ENCLOSURE	
DRAWN BY	MJM	DATE	10/04/01
SCALE		PAGE	3 OF 3
PART NUMBER		RMCV19018	