

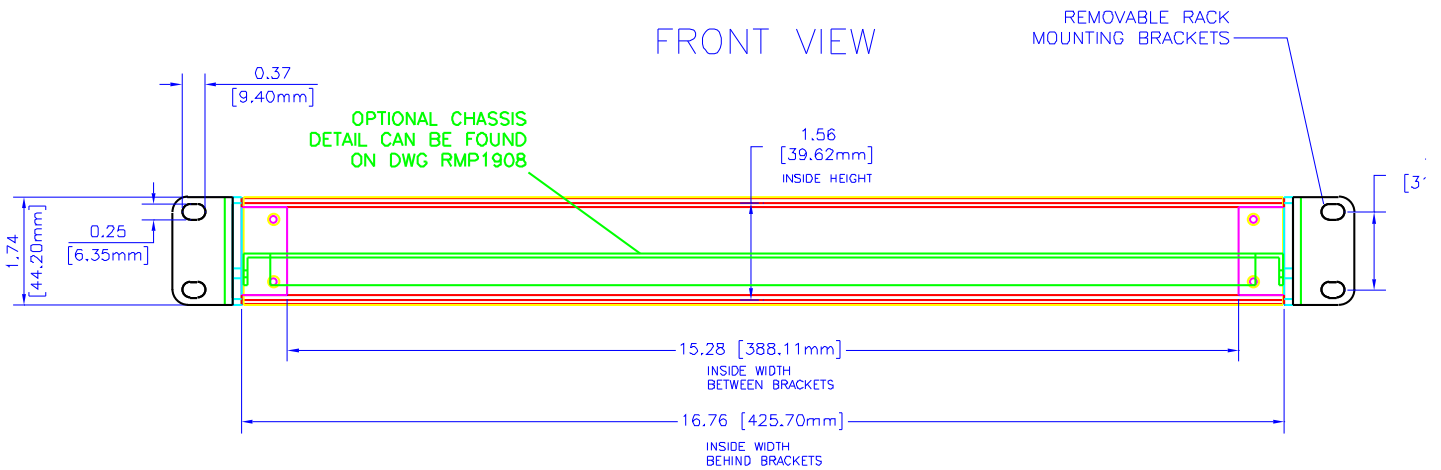
REV	DESCRIPTION	DATE
A	CONNECTED RACK MOUNT BRACKET DETAIL	10/11/01

### NOTES

**MATERIAL** TOP & BOTTOM 0.062" STEEL, SIDES, FRONT, REAR & HORIZONTAL SUPPORTS 0.125" ALUMINUM, DIMENSIONS ARE TAKEN WITH THE PAINTED SURFACE

**FINISH** TOP, BOTTOM & SIDE PANELS, TEXTURED BLACK, FRONT/REAR PANELS ON SMOOTH BLACK, ONE CONTEMPRA GRAY (RAL 7032), ALL POWDER PAINT.

### FRONT VIEW



UNLESS OTHERWISE SPECIFIED DIMENSIONS ARE IN INCHES	
IN	1/16 - 1
XX	1/32
XXX	1/64
FRACTIONS	1/2, 3/4, 1, 1 1/2, 2
ANGLES	15, 30, 45, 60, 90, 120, 150, 180

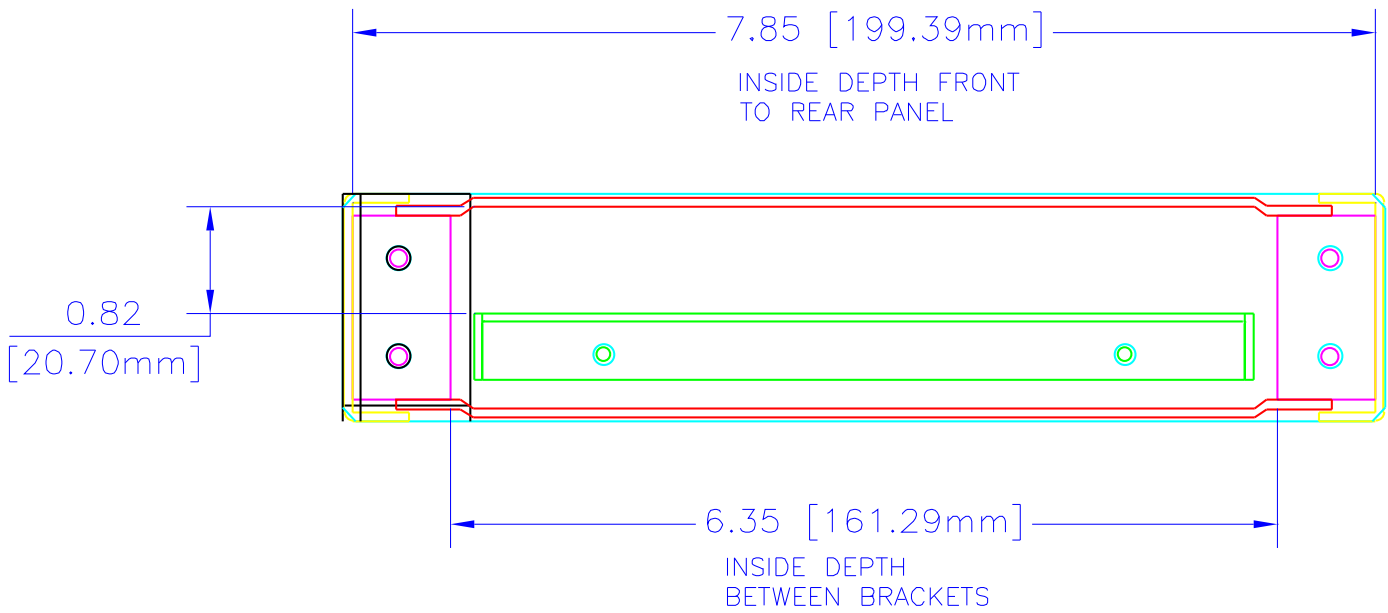


**HAMMOND MANUFACTURING**

WEB: WWW.HAMMONDMFG.COM

TITLE		HAMMOND RMCS SERIES RACK ENCLOSURE	
DRAWN BY	MJM	DATE	10/04/01
SCALE		PAGE	1 OF 3
PART NUMBER	RMCS19018		

# SIDE VIEW



UNLESS OTHERWISE SPECIFIED  
DIMENSIONS ARE IN INCHES  
XX +/- .1  
XXX +/- .015  
XXXX +/- .005  
ANGLES +/- .5 DEG

NOTE:  
HAMMOND CORP. PROVIDES THIS DRAWING TO YOU AS A SERVICE. FOR  
REVISIONS AND COMMENTS ONLY THE  
PRODUCTION RELEASE MUST BE  
OBTAINED FROM HAMMOND MANUFACTURING



**HAMMOND  
MANUFACTURING**

WEB: [WWW.HAMMONDMFG.COM](http://WWW.HAMMONDMFG.COM)

FILE: HAMMOND RMCS SERIES  
RACK ENCLOSURE  
DRAWN BY: MJM DATE: 10/04/01  
SCALE: PAGE: 2 OF 3  
PART NUMBER:  
RMCS19018

# TOP VIEW



UNLESS OTHERWISE SPECIFIED	
DIMENSIONS ARE IN INCHES	
XX	+/- .1
XXX	+/- .02
XXXX	+/- .015
PLACES	+/- .005
ANGLES	+/- .5 DEG.
FINISHES	
SURFACES SHALL BE FINISHED TO THE	
EXTENT OF THE DIMENSIONS FOR	
FINISHES AND DIMENSIONS ONLY THE	
DIMENSIONS SHALL BE USED TO	
REVISION FROM HAMMOND MANUFACTURING	



**HAMMOND  
MANUFACTURING**

WEB: [WWW.HAMMONDMFG.COM](http://WWW.HAMMONDMFG.COM)

TITLE		HAMMOND RMCS SERIES RACK ENCLOSURE	
DRAWN BY	MJM	DATE	10/04/01
SCALE		PAGE	3 OF 3
PART NUMBER		RMCS19018	