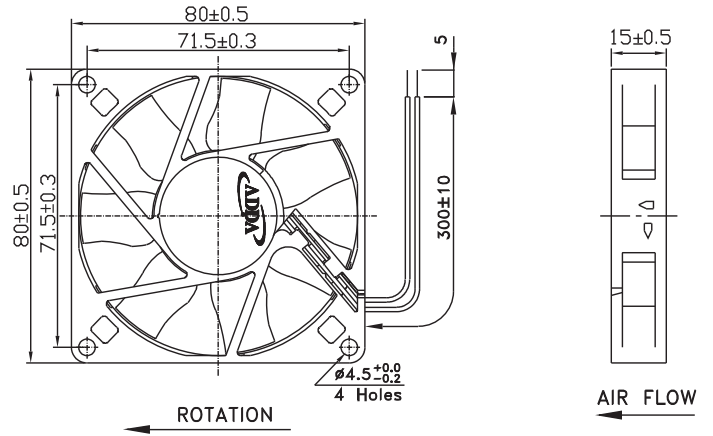


AD8015 SERIES



External Dimensions



Frame: Plastic (UL:94V-0)
 Impeller: Plastic (UL:94V-0)
 Bearing: Hydro bearing
 Lead wire: UL1007AWG24
 VOLTAGE AVAILABLE: 5V, 12V, 24V

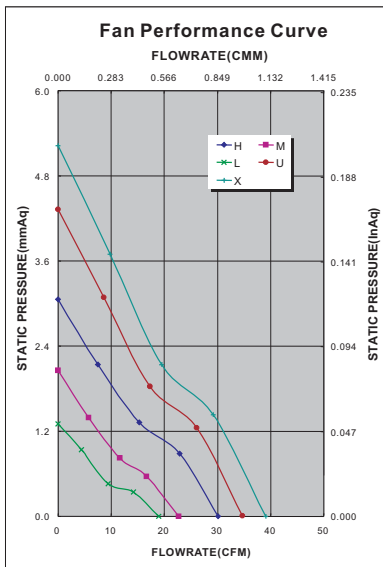
Specifications (Nominal)

*Noise is measured at the distance of one (1) meter from the axis of intake.

Bearing type: ●=Ball ※=Sleeve ○=1B1S ●=Hydro bearing

Frame size (mm)	Model No.	Bearing System Type	Rated Voltage (VDC)	Current (A)	Power (W)	Rated Speed (rpm)	Maximum AirFlow (CMM)	Maximum AirFlow (CFM)	Maximum Pressure (InAq)	Maximum Pressure (mmAq)	*Noise Level (dB/A)	Weight (g)
80x80x15	AD0805MB-D71	◎ ※ ○ ●	5	0.13	0.65	2440	0.634	22.40	0.070	1.78	26.0	63.0
	AD0805HB-D71	◎ ※ ○ ●	5	0.22	1.10	3200	0.847	29.90	0.129	3.28	33.4	
	AD0812LB-D71	◎ ※ ○ ●	12	0.03	0.36	2000	0.567	20.00	0.050	1.27	19.6	
	AD0812MB-D71	◎ ※ ○ ●	12	0.05	0.60	2440	0.634	22.40	0.070	1.78	26.0	
	AD0812HB-D71	◎ ※ ○ ●	12	0.09	1.08	3200	0.847	29.90	0.129	3.28	33.4	
	AD0812UB-D71	◎ ※ ○ ●	12	0.16	1.92	3800	0.950	33.60	0.169	4.29	39.1	
	AD0812XB-D71	◎ ※ ○ ●	12	0.24	2.88	4300	1.086	38.40	0.201	5.10	42.3	
	AD0824MB-D71	◎ ※ ○ ●	24	0.04	0.96	2440	0.600	22.40	0.070	1.78	26.0	
AD0824HB-D71	◎ ※ ○ ●	24	0.08	1.92	3200	0.847	29.90	0.129	3.28	33.4		

Specifications subject to change without notice.



*Motor protective circuit and third lead wire functions

0	1	2	3	4	6	7	8	9	A	B
	✓	✓	✓							

*Safety approvals

✓	✓		✓	✓