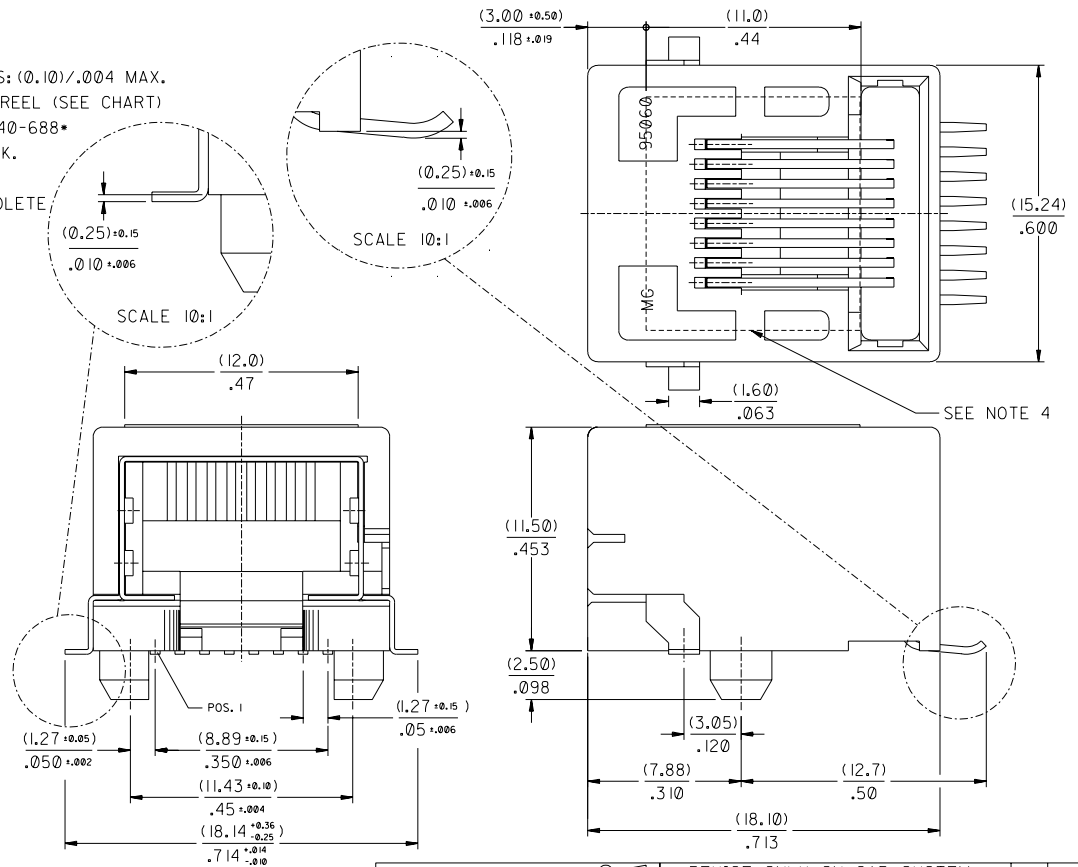
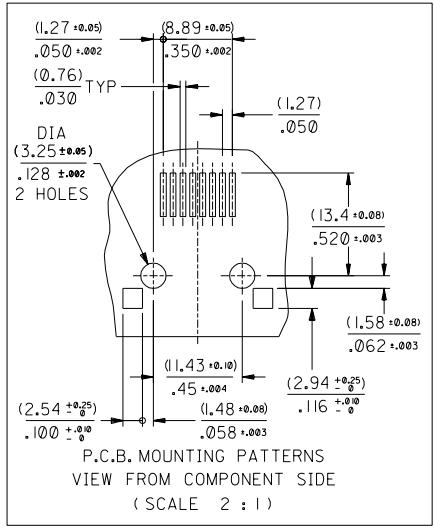


PART NO. SEE CHART
 DWG. NO. SDA-95040

NOTES:

- 1- COPLANARITY OF LEADS AND SHIELD TABS: (0.10)/.004 MAX.
- 2- PACKAGING SPECIFICATION : BLISTER ON REEL (SEE CHART)
- 3- PRODUCT SPECIFICATION : MOLEX PS-95040-688*
- 4- KAPTON ADHESIVE FOIL: (0.125)/.005 THICK.
- 5- SEE OTHER NOTES SHEET 1.
- 6- THESE PART NUMBERS WILL BECOME OBSOLETE AND WILL BE RESPECTIVELY REPLACED BY 95040-6886 AND -6888 (SEE SHEET 4).



PACKAGING		
PART NUMBER	REEL SIZE	SPECIFICATION
95040-6885	(330)/13	PK-85502 SHEET 1
95040-6887	(559)/22	PK-85502 SHEET 3

SEE NOTE 6

ECN MC2002-0413	RK 02/03/04	ECN MC2001-0264	FB 00/12/05	ECN MC2001-0148	FB 00/10/24	ECN MC2000-0183	HB 99/11/18	ECN MC 1998-2659	Er 97/12/01
S2		S1		S		R		P4	

THIRD ANGLE PROJECTION		REVISE ONLY ON CAD SYSTEM		SH. REV.		
DRWG BY	CB	STGN	FB			
CHK'D BY	TB	SIGN	FB			
APP'D BY	JB	SIGN	FB			
SCALE	5:1					
UNLESS OTHERWISE SPECIFIED TOLERANCES: ANGULAR ± 2		THIS DRAWING CONTAINS INFORMATION THAT IS PROPRIETARY TO MOLEX INC. & SHOULD NOT BE USED WITHOUT WRITTEN PERMISSION				
3 PLACE ±	.010 ±	TITLE RIGHT ANGLE LOW PROFILE SHIELDED P.C. JACK (SURFACE MOUNT VERSION)				
2 PLACE ±	.014 ±				MOLEX EUROPE	
1 PLACE ±	.035 ±				SHEET NO. DATE 2 of 5 92/02/20	
DESIGN DIMENSION <input type="checkbox"/> MM <input checked="" type="checkbox"/> IN.		PART NO. SEE CHART				
EQUIVALENT DIMENSION <input type="checkbox"/> MM <input checked="" type="checkbox"/> IN.		DWG. NO. SDA-95040				
IF TWO DIMENSIONS ARE SHOWN THE UPPER IS THE DESIGN DIMENSION, LOWER IS SECONDARY.		SIZE B				

7132-1283