

# MC14517B

## Dual 64-Bit Static Shift Register

The MC14517B dual 64-bit static shift register consists of two identical, independent, 64-bit registers. Each register has separate clock and write enable inputs, as well as outputs at bits 16, 32, 48, and 64. Data at the data input is entered by clocking, regardless of the state of the write enable input. An output is disabled (open circuited) when the write enable input is high. During this time, data appearing at the data input as well as the 16-bit, 32-bit, and 48-bit taps may be entered into the device by application of a clock pulse. This feature permits the register to be loaded with 64 bits in 16 clock periods, and also permits bus logic to be used. This device is useful in time delay circuits, temporary memory storage circuits, and other serial shift register applications.

- Diode Protection on All Inputs
- Fully Static Operation
- Output Transitions Occur on the Rising Edge of the Clock Pulse
- Exceedingly Slow Input Transition Rates May Be Applied to the Clock Input
- 3-State Output at 64th-Bit Allows Use in Bus Logic Applications
- Shift Registers of any Length may be Fully Loaded with 16 Clock Pulses
- Supply Voltage Range = 3.0 Vdc to 18 Vdc
- Capable of Driving Two Low-power TTL Loads or One Low-power Schottky TTL Load Over the Rated Temperature Range

### MAXIMUM RATINGS (Voltages Referenced to $V_{SS}$ ) (Note 1.)

| Symbol            | Parameter   | Value                  | Unit               |
|-------------------|---|------------------------|--------------------|
| $V_{DD}$          | DC Supply Voltage Range                           | -0.5 to +18.0          | V                  |
| $V_{in}, V_{out}$ | Input or Output Voltage Range (DC or Transient)   | -0.5 to $V_{DD} + 0.5$ | V                  |
| $I_{in}, I_{out}$ | Input or Output Current (DC or Transient) per Pin | $\pm 10$               | mA                 |
| $P_D$             | Power Dissipation, per Package (Note 2.)          | 500                    | mW                 |
| $T_A$             | Operating Temperature Range                       | -55 to +125            | $^{\circ}\text{C}$ |
| $T_{stg}$         | Storage Temperature Range                         | -65 to +150            | $^{\circ}\text{C}$ |
| $T_L$             | Lead Temperature (8-Second Soldering)             | 260                    | $^{\circ}\text{C}$ |

1. Maximum Ratings are those values beyond which damage to the device may occur.
2. Temperature Derating:  
Plastic "P and D/DW" Packages: - 7.0 mW/ $^{\circ}\text{C}$  From 65 $^{\circ}\text{C}$  To 125 $^{\circ}\text{C}$

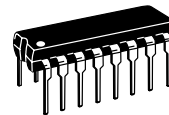
This device contains protection circuitry to guard against damage due to high static voltages or electric fields. However, precautions must be taken to avoid applications of any voltage higher than maximum rated voltages to this high-impedance circuit. For proper operation,  $V_{in}$  and  $V_{out}$  should be constrained to the range  $V_{SS} \leq (V_{in} \text{ or } V_{out}) \leq V_{DD}$ .

Unused inputs must always be tied to an appropriate logic voltage level (e.g., either  $V_{SS}$  or  $V_{DD}$ ). Unused outputs must be left open.



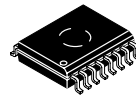
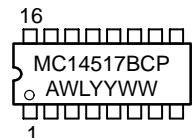
ON Semiconductor

<http://onsemi.com>

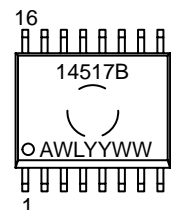


PDIP-16  
P SUFFIX  
CASE 648

### MARKING DIAGRAMS



SOIC-16  
DW SUFFIX  
CASE 751G



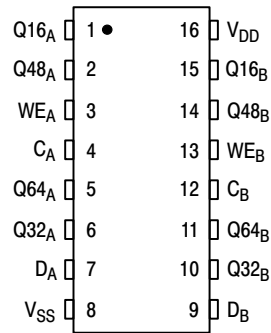
A = Assembly Location  
WL, L = Wafer Lot  
YY, Y = Year  
WW, W = Work Week

### ORDERING INFORMATION

| Device       | Package | Shipping         |
|--------------|---------|------------------|
| MC14517BCP   | PDIP-16 | 2000/Box         |
| MC14517BDW   | SOIC-16 | 47/Rail          |
| MC14517BDWR2 | SOIC-16 | 1000/Tape & Reel |

# MC14517B

## PIN ASSIGNMENT



**FUNCTIONAL TRUTH TABLE** (X = Don't Care)

| Clock | Write Enable | Data                      | 16-Bit Tap                      | 32-Bit Tap                      | 48-Bit Tap                      | 64-Bit Tap                  |
|-------|--------------|---------------------------|---------------------------------|---------------------------------|---------------------------------|-----------------------------|
| 0     | 0            | X                         | Content of 16-Bit Displayed     | Content of 32-Bit Displayed     | Content of 48-Bit Displayed     | Content of 64-Bit Displayed |
| 0     | 1            | X                         | High Impedance                  | High Impedance                  | High Impedance                  | High Impedance              |
| 1     | 0            | X                         | Content of 16-Bit Displayed     | Content of 32-Bit Displayed     | Content of 48-Bit Displayed     | Content of 64-Bit Displayed |
| 1     | 1            | X                         | High Impedance                  | High Impedance                  | High Impedance                  | High Impedance              |
| ↗     | 0            | Data entered into 1st Bit | Content of 16-Bit Displayed     | Content of 32-Bit Displayed     | Content of 48-Bit Displayed     | Content of 64-Bit Displayed |
| ↗     | 1            | Data entered into 1st Bit | Data at tap entered into 17-Bit | Data at tap entered into 33-Bit | Data at tap entered into 49-Bit | High Impedance              |
| ↘     | 0            | X                         | Content of 16-Bit Displayed     | Content of 32-Bit Displayed     | Content of 48-Bit Displayed     | Content of 64-Bit Displayed |
| ↘     | 1            | X                         | High Impedance                  | High Impedance                  | High Impedance                  | High Impedance              |

# MC14517B

## ELECTRICAL CHARACTERISTICS (Voltages Referenced to $V_{SS}$ )

| Characteristic  | Symbol  | $V_{DD}$<br>Vdc | -55°C                                     |           | 25°C  |                     |           | 125°C |           | Unit      |      |
|---|---|-----------------|---|-----------|-------|---------------------|-----------|-------|-----------|-----------|------|
|   |   |                 | Min                                       | Max       | Min   | Typ <sup>(3.)</sup> | Max       | Min   | Max       |           |      |
| Output Voltage<br>$V_{in} = V_{DD}$ or 0<br><br>$V_{in} = 0$ or $V_{DD}$  | "0" Level<br>$V_{OL}$   | 5.0             | —   | 0.05      | —     | 0                   | 0.05      | —     | 0.05      | Vdc       |      |
|   |   | 10              | —   | 0.05      | —     | 0                   | 0.05      | —     | 0.05      |           |      |
|   |   | 15              | —   | 0.05      | —     | 0                   | 0.05      | —     | 0.05      |           |      |
|   | "1" Level<br>$V_{OH}$   | 5.0             | 4.95                                      | —         | 4.95  | 5.0                 | —         | 4.95  | —         | Vdc       |      |
|   |   | 10              | 9.95                                      | —         | 9.95  | 10                  | —         | 9.95  | —         |           |      |
|   |   | 15              | 14.95                                     | —         | 14.95 | 15                  | —         | 14.95 | —         |           |      |
| Input Voltage<br>"0" Level<br>( $V_O = 4.5$ or $0.5$ Vdc)<br>( $V_O = 9.0$ or $1.0$ Vdc)<br>( $V_O = 13.5$ or $1.5$ Vdc)                                      | $V_{IL}$  | 5.0             | —   | 1.5       | —     | 2.25                | 1.5       | —     | 1.5       | Vdc       |      |
|   |   | 10              | —   | 3.0       | —     | 4.50                | 3.0       | —     | 3.0       |           |      |
|   |   | 15              | —   | 4.0       | —     | 6.75                | 4.0       | —     | 4.0       |           |      |
|   | "1" Level<br>( $V_O = 0.5$ or $4.5$ Vdc)<br>( $V_O = 1.0$ or $9.0$ Vdc)<br>( $V_O = 1.5$ or $13.5$ Vdc) | $V_{IH}$        | 5.0                                       | 3.5       | —     | 3.5                 | 2.75      | —     | 3.5       | —         | Vdc  |
|   |   |                 | 10  | 7.0       | —     | 7.0                 | 5.50      | —     | 7.0       | —         |      |
|   |   |                 | 15  | 11        | —     | 11                  | 8.25      | —     | 11        | —         |      |
| Output Drive Current<br>Source<br>( $V_{OH} = 2.5$ Vdc)<br>( $V_{OH} = 4.6$ Vdc)<br>( $V_{OH} = 9.5$ Vdc)<br>( $V_{OH} = 13.5$ Vdc)                           | $I_{OH}$  | 5.0             | -3.0                                      | —         | -2.4  | -4.2                | —         | -1.7  | —         | mAdc      |      |
|   |   | 5.0             | -0.64                                     | —         | -0.51 | -0.88               | —         | -0.36 | —         |           |      |
|   |   | 10              | -1.6                                      | —         | -1.3  | -2.25               | —         | -0.9  | —         |           |      |
|   |   | 15              | -4.2                                      | —         | -3.4  | -8.8                | —         | -2.4  | —         |           |      |
|   | Sink<br>( $V_{OL} = 0.4$ Vdc)<br>( $V_{OL} = 0.5$ Vdc)<br>( $V_{OL} = 1.5$ Vdc)                         | $I_{OL}$        | 5.0                                       | 0.64      | —     | 0.51                | 0.88      | —     | 0.36      | —         | mAdc |
|   |   |                 | 10  | 1.6       | —     | 1.3                 | 2.25      | —     | 0.9       | —         |      |
| 15  |   |                 | 4.2                                       | —         | 3.4   | 8.8                 | —         | 2.4   | —         |           |      |
| Input Current   | $I_{in}$  | 15              | —   | $\pm 0.1$ | —     | $\pm 0.00001$       | $\pm 0.1$ | —     | $\pm 1.0$ | $\mu$ Adc |      |
| Input Capacitance<br>( $V_{in} = 0$ )   | $C_{in}$  | —               | —   | —         | —     | 5.0                 | 7.5       | —     | —         | pF        |      |
| Quiescent Current<br>(Per Package)  | $I_{DD}$  | 5.0             | —   | 5.0       | —     | 0.005               | 5.0       | —     | 150       | $\mu$ Adc |      |
|   |   | 10              | —   | 10        | —     | 0.010               | 10        | —     | 300       |           |      |
|   |   | 15              | —   | 20        | —     | 0.015               | 20        | —     | 600       |           |      |
| Total Supply Current <sup>(4.)</sup> <sup>(5.)</sup><br>(Dynamic plus Quiescent,<br>Per Package)<br>( $C_L = 50$ pF on all outputs, all<br>buffers switching) | $I_T$   | 5.0             | $I_T = (4.2 \mu\text{A/kHz}) f + I_{DD}$  |           |       |                     |           |       |           | $\mu$ Adc |      |
|   |   | 10              | $I_T = (8.8 \mu\text{A/kHz}) f + I_{DD}$  |           |       |                     |           |       |           |           |      |
|   |   | 15              | $I_T = (13.7 \mu\text{A/kHz}) f + I_{DD}$ |           |       |                     |           |       |           |           |      |
| Three-State Leakage Current   | $I_{TL}$  | 15              | —   | $\pm 0.1$ | —     | $\pm 0.0001$        | $\pm 0.1$ | —     | $\pm 3.0$ | $\mu$ Adc |      |

3. Data labelled "Typ" is not to be used for design purposes but is intended as an indication of the IC's potential performance.

4. The formulas given are for the typical characteristics only at 25°C.

5. To calculate total supply current at loads other than 50 pF:

$$I_T(C_L) = I_T(50 \text{ pF}) + (C_L - 50) Vfk$$

where:  $I_T$  is in  $\mu\text{A}$  (per package),  $C_L$  in pF,  $V = (V_{DD} - V_{SS})$  in volts,  $f$  in kHz is input frequency, and  $k = 0.004$ .

# MC14517B

## SWITCHING CHARACTERISTICS (6.) ( $C_L = 50 \text{ pF}$ , $T_A = 25^\circ\text{C}$ )

| Characteristic   | Symbol             | $V_{DD}$        | Min               | Typ (7.)          | Max               | Unit |
|--|--------------------|-----------------|-------------------|-------------------|-------------------|------|
| Output Rise and Fall Time<br>$t_{TLH}, t_{THL} = (1.5 \text{ ns/pF}) C_L + 25 \text{ ns}$<br>$t_{TLH}, t_{THL} = (0.75 \text{ ns/pF}) C_L + 12.5 \text{ ns}$<br>$t_{TLH}, t_{THL} = (0.65 \text{ ns/pF}) C_L + 9.5 \text{ ns}$ | $t_{TLH}, t_{THL}$ | 5.0<br>10<br>15 | —<br>—<br>—       | 100<br>50<br>40   | 200<br>100<br>80  | ns   |
| Propagation Delay Time<br>$t_{PLH}, t_{PHL} = (1.7 \text{ ns/pF}) C_L + 390 \text{ ns}$<br>$t_{PLH}, t_{PHL} = (0.66 \text{ ns/pF}) C_L + 177 \text{ ns}$<br>$t_{PLH}, t_{PHL} = (0.5 \text{ ns/pF}) C_L + 115 \text{ ns}$     | $t_{PLH}, t_{PHL}$ | 5.0<br>10<br>15 | —<br>—<br>—       | 475<br>210<br>140 | 770<br>300<br>215 | ns   |
| Clock Pulse Width  | $t_{WH}$           | 5.0<br>10<br>15 | 330<br>125<br>100 | 170<br>75<br>60   | —<br>—<br>—       | ns   |
| Clock Pulse Frequency  | $f_{cl}$           | 5.0<br>10<br>15 | —<br>—<br>—       | 3.0<br>6.7<br>8.3 | 1.5<br>4.0<br>5.3 | MHz  |
| Clock Pulse Rise and Fall Time   | $t_{TLH}, t_{THL}$ | 5.0<br>10<br>15 | See Note (8.)     |                   |                   | —    |
| Data to Clock Setup Time   | $t_{su}$           | 5.0<br>10<br>15 | 0<br>10<br>15     | -40<br>-15<br>0   | —<br>—<br>—       | ns   |
| Data to Clock Hold Time  | $t_h$              | 5.0<br>10<br>15 | 150<br>75<br>35   | 75<br>25<br>10    | —<br>—<br>—       | ns   |
| Write Enable to Clock Setup Time   | $t_{su}$           | 5.0<br>10<br>15 | 400<br>200<br>110 | 170<br>65<br>50   | —<br>—<br>—       | ns   |
| Write Enable to Clock Release Time   | $t_{rel}$          | 5.0<br>10<br>15 | 380<br>180<br>100 | 160<br>55<br>40   | —<br>—<br>—       | ns   |

6. The formulas given are for the typical characteristics only at  $25^\circ\text{C}$ .

7. Data labelled "Typ" is not to be used for design purposes but is intended as an indication of the IC's potential performance.

8. When shift register sections are cascaded, the maximum rise and fall time of the clock input should be equal to or less than the rise and fall time of the data outputs, driving data inputs, plus the propagation delay of the output driving stage.

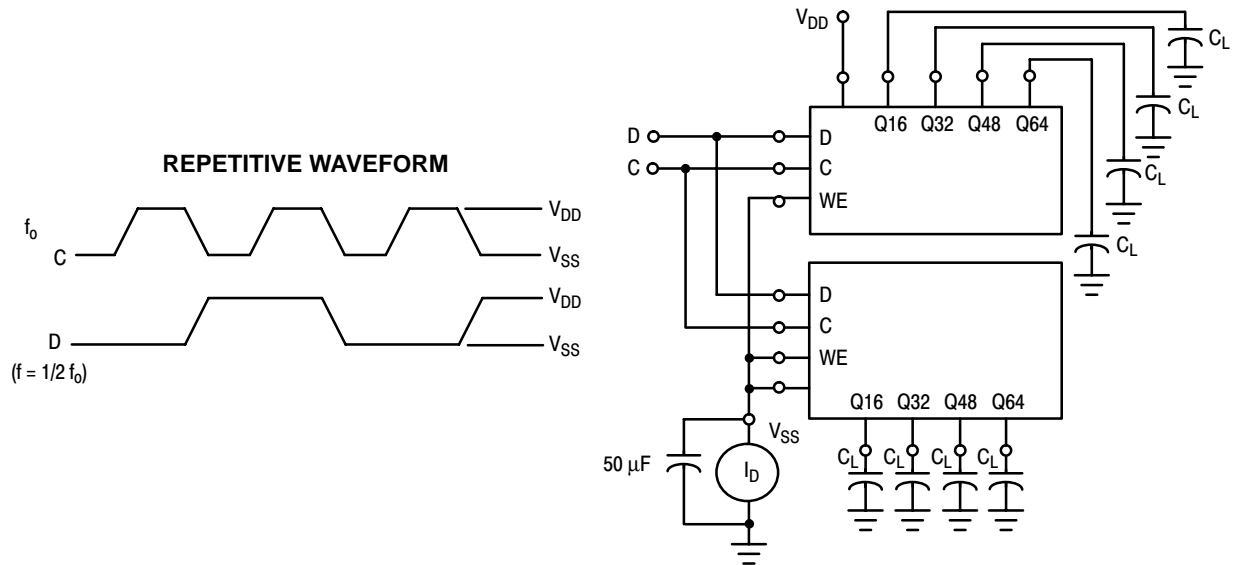
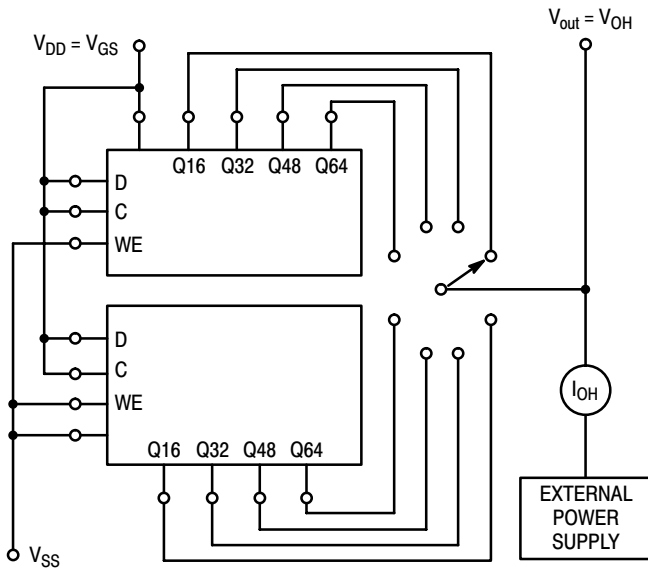


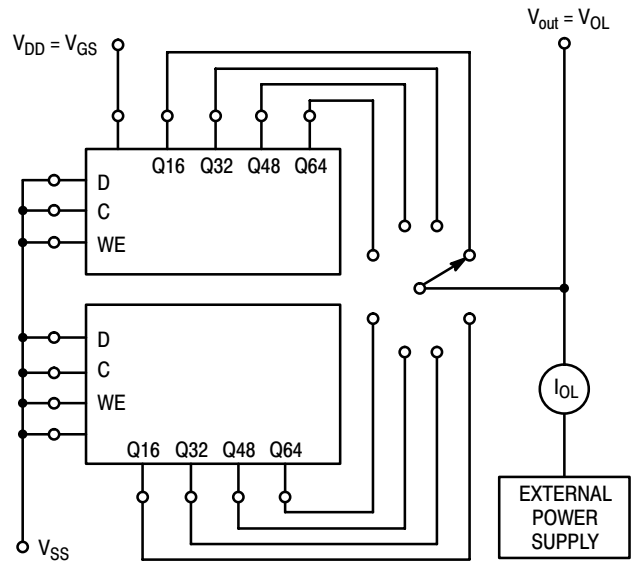
Figure 1. Power Dissipation Test Circuit and Waveform

# MC14517B



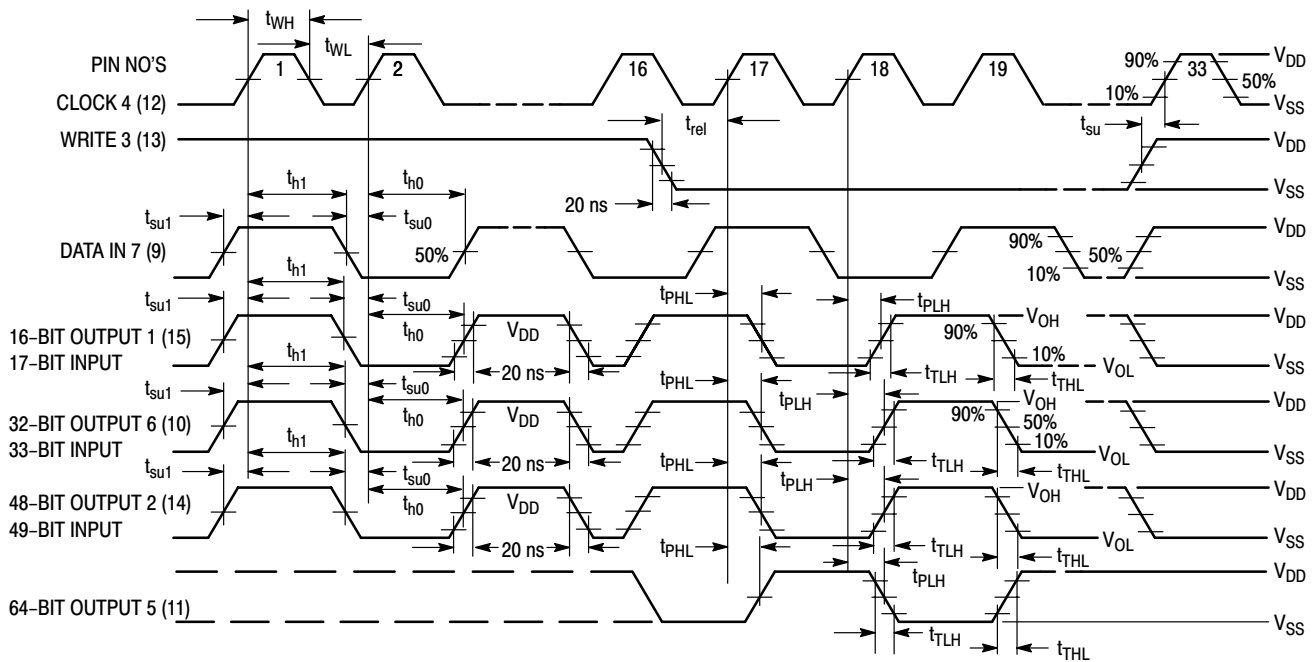
(Output being tested should be in the high-logic state)

**Figure 2. Typical Output Source Current Characteristics Test Circuit**



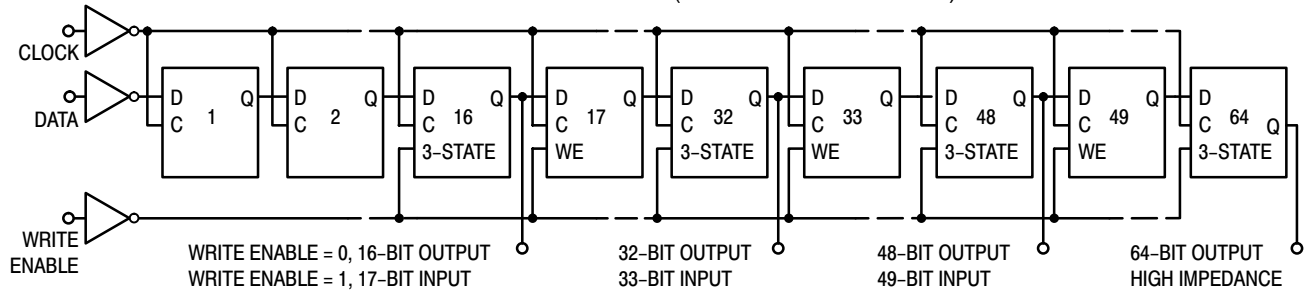
(Output being tested should be in the low-logic state)

**Figure 3. Typical Output Sink Current Characteristics Test Circuit**



**Figure 4. AC Test Waveforms**

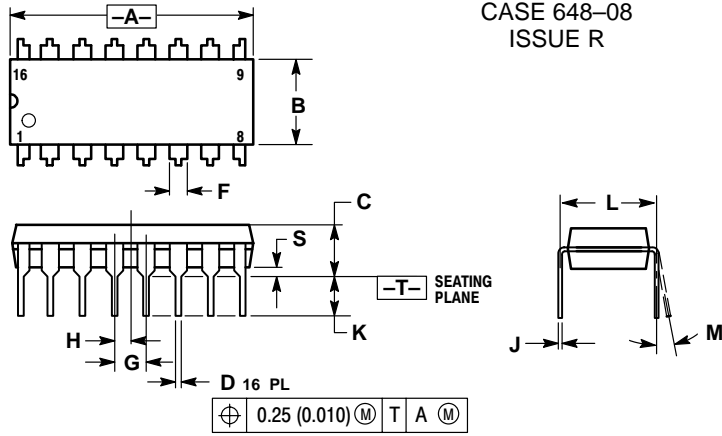
## EXPANDED BLOCK DIAGRAM (1/2 OF DEVICE SHOWN)



# MC14517B

## PACKAGE DIMENSIONS

PDIP-16  
P SUFFIX  
PLASTIC DIP PACKAGE  
CASE 648-08  
ISSUE R



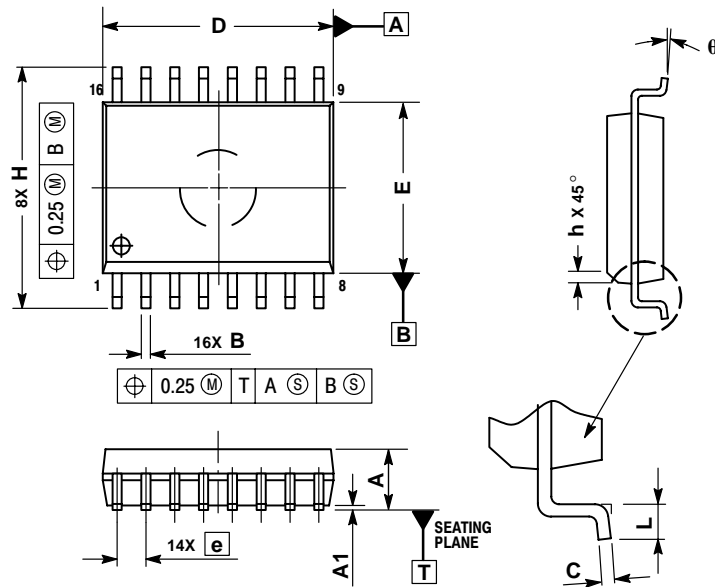
- NOTES:
1. DIMENSIONING AND TOLERANCING PER ANSI Y14.5M, 1982.
  2. CONTROLLING DIMENSION: INCH.
  3. DIMENSION L TO CENTER OF LEADS WHEN FORMED PARALLEL.
  4. DIMENSION B DOES NOT INCLUDE MOLD FLASH.
  5. ROUNDED CORNERS OPTIONAL.

| DIM | INCHES    |       | MILLIMETERS |       |
|-----|-----------|-------|-------------|-------|
|     | MIN       | MAX   | MIN         | MAX   |
| A   | 0.740     | 0.770 | 18.80       | 19.55 |
| B   | 0.250     | 0.270 | 6.35        | 6.85  |
| C   | 0.145     | 0.175 | 3.69        | 4.44  |
| D   | 0.015     | 0.021 | 0.39        | 0.53  |
| F   | 0.040     | 0.70  | 1.02        | 1.77  |
| G   | 0.100 BSC |       | 2.54 BSC    |       |
| H   | 0.050 BSC |       | 1.27 BSC    |       |
| J   | 0.008     | 0.015 | 0.21        | 0.38  |
| K   | 0.110     | 0.130 | 2.80        | 3.30  |
| L   | 0.295     | 0.305 | 7.50        | 7.74  |
| M   | 0°        | 10°   | 0°          | 10°   |
| S   | 0.020     | 0.040 | 0.51        | 1.01  |

# MC14517B

## PACKAGE DIMENSIONS

SOIC-16  
DW SUFFIX  
PLASTIC SOIC PACKAGE  
CASE 751G-03  
ISSUE B



### NOTES:

1. DIMENSIONS ARE IN MILLIMETERS.
2. INTERPRET DIMENSIONS AND TOLERANCES PER ASME Y14.5M, 1994.
3. DIMENSIONS D AND E DO NOT INCLUDE MOLD PROTRUSION.
4. MAXIMUM MOLD PROTRUSION 0.15 PER SIDE.
5. DIMENSION B DOES NOT INCLUDE DAMBAR PROTRUSION. ALLOWABLE DAMBAR PROTRUSION SHALL BE 0.13 TOTAL IN EXCESS OF THE B DIMENSION AT MAXIMUM MATERIAL CONDITION.

| DIM | MILLIMETERS |       |
|-----|-------------|-------|
|     | MIN         | MAX   |
| A   | 2.35        | 2.65  |
| A1  | 0.10        | 0.25  |
| B   | 0.35        | 0.49  |
| C   | 0.23        | 0.32  |
| D   | 10.15       | 10.45 |
| E   | 7.40        | 7.60  |
| e   | 1.27 BSC    |       |
| H   | 10.05       | 10.55 |
| h   | 0.25        | 0.75  |
| L   | 0.50        | 0.90  |
| θ   | 0°          | 7°    |

**ON Semiconductor** and  are trademarks of Semiconductor Components Industries, LLC (SCILLC). SCILLC reserves the right to make changes without further notice to any products herein. SCILLC makes no warranty, representation or guarantee regarding the suitability of its products for any particular purpose, nor does SCILLC assume any liability arising out of the application or use of any product or circuit, and specifically disclaims any and all liability, including without limitation special, consequential or incidental damages. "Typical" parameters which may be provided in SCILLC data sheets and/or specifications can and do vary in different applications and actual performance may vary over time. All operating parameters, including "Typicals" must be validated for each customer application by customer's technical experts. SCILLC does not convey any license under its patent rights nor the rights of others. SCILLC products are not designed, intended, or authorized for use as components in systems intended for surgical implant into the body, or other applications intended to support or sustain life, or for any other application in which the failure of the SCILLC product could create a situation where personal injury or death may occur. Should Buyer purchase or use SCILLC products for any such unintended or unauthorized application, Buyer shall indemnify and hold SCILLC and its officers, employees, subsidiaries, affiliates, and distributors harmless against all claims, costs, damages, and expenses, and reasonable attorney fees arising out of, directly or indirectly, any claim of personal injury or death associated with such unintended or unauthorized use, even if such claim alleges that SCILLC was negligent regarding the design or manufacture of the part. SCILLC is an Equal Opportunity/Affirmative Action Employer.

## PUBLICATION ORDERING INFORMATION

### **NORTH AMERICA Literature Fulfillment:**

Literature Distribution Center for ON Semiconductor  
P.O. Box 5163, Denver, Colorado 80217 USA  
**Phone:** 303-675-2175 or 800-344-3860 Toll Free USA/Canada  
**Fax:** 303-675-2176 or 800-344-3867 Toll Free USA/Canada  
**Email:** ONlit@hibbertco.com  
Fax Response Line: 303-675-2167 or 800-344-3810 Toll Free USA/Canada

**N. American Technical Support:** 800-282-9855 Toll Free USA/Canada

**EUROPE:** LDC for ON Semiconductor – European Support

**German Phone:** (+1) 303-308-7140 (Mon-Fri 2:30pm to 7:00pm CET)  
**Email:** ONlit-german@hibbertco.com  
**French Phone:** (+1) 303-308-7141 (Mon-Fri 2:00pm to 7:00pm CET)  
**Email:** ONlit-french@hibbertco.com  
**English Phone:** (+1) 303-308-7142 (Mon-Fri 12:00pm to 5:00pm GMT)  
**Email:** ONlit@hibbertco.com

**EUROPEAN TOLL-FREE ACCESS\*: 00-800-4422-3781**

\*Available from Germany, France, Italy, UK

### **CENTRAL/SOUTH AMERICA:**

**Spanish Phone:** 303-308-7143 (Mon-Fri 8:00am to 5:00pm MST)  
**Email:** ONlit-spanish@hibbertco.com

**ASIA/PACIFIC:** LDC for ON Semiconductor – Asia Support

**Phone:** 303-675-2121 (Tue-Fri 9:00am to 1:00pm, Hong Kong Time)  
**Toll Free** from Hong Kong & Singapore:  
**001-800-4422-3781**  
**Email:** ONlit-asia@hibbertco.com

**JAPAN:** ON Semiconductor, Japan Customer Focus Center  
4-32-1 Nishi-Gotanda, Shinagawa-ku, Tokyo, Japan 141-0031

**Phone:** 81-3-5740-2745  
**Email:** r14525@onsemi.com

**ON Semiconductor Website:** <http://onsemi.com>

For additional information, please contact your local Sales Representative.