

## DATA CON-X: SEALED MINI-USB TYPE B CONNECTORS

NEW PRODUCT BULLETIN 710

# CONXALL®

A SWITCHCRAFT COMPANY



Please visit [conxall.com](http://conxall.com) for the most up-to-date product specifications. Made in USA.

# DATA CON-X: SEALED MINI-USB TYPE B CONNECTORS

NEW PRODUCT BULLETIN 710



## FEATURES & BENEFITS

- Sealed to IP67 & IP68 NEMA 250 (6P)
- Feed through, PC Tail or solder terminals for easy field installation
- Field installable design is easy to assemble
- Quick connect bayonet style interface
- RoHS compliant assembly

## APPLICATIONS

- Any sealed data transmission
- Military or industrial GPS location devices
- Instrumentation
- Medical data carts
- Data acquisition units
- General industrial electronic applications



Please visit [conxall.com](http://conxall.com) for the most up-to-date product specifications. Made in USA.

# DATA CON-X: SEALED MINI-USB TYPE B CONNECTORS

NEW PRODUCT BULLETIN 710

## SPECIFICATIONS

### Mechanical Specifications

Life:	500 Cycles Minimum
Vibration:	Mil-Std 202G Method 201A
Hex Nut Torque:	10-12 in-lb
Coupling Locking Style	Quick Connect (Bayonet)
Backshell Style	Threaded Nut-Squeezed Grommet

### Electrical Specifications

Tested Per USB 2.0 Specifications

### Environmental Specifications

Operating Temperature Rating:	-20 °C to +75 °C (-4°F to +167°F)
Moisture Resistance:	Mil-Std 202G method 106G
Insulation Resistance:	Mil-Std 202G Method 302G
Thermal Shock:	Mil-Std 202G Method 107G
Weathertight:	IP67 & IP68, NEMA 250 (6P) (when mated)

### Material Specifications

Plug Nut, Coupling Nut:	Thermoplastic
Plug Housing, Insert:	Thermoplastic
Sealing Ring, O-Ring:	Elastomer
Panel Housing, Hex Nut:	Thermoplastic
Gasket:	Elastomer
Printed Circuit Board (PCB):	FR-4

### Header:

Insulator:	Thermoplastic UL94V-0, Black
Contacts:	Copper Alloy, Gold Plated

### USB Mini-B Plug:

Insulator:	Thermoplastic UL94V-0, Black
Contacts:	Copper Alloy, Gold Plated (Contact Area)
Metal Shield:	Steel, Tin Plating

### USB Mini-B Receptacle:

Insulator:	Thermoplastic UL94V-0, Black
Contacts:	Copper Alloy, Gold Plated (Contact Area)
Metal Shield:	Copper Alloy, Nickel Plated

### Molded Cable Assemblies

Consult factory for molded options

### Other

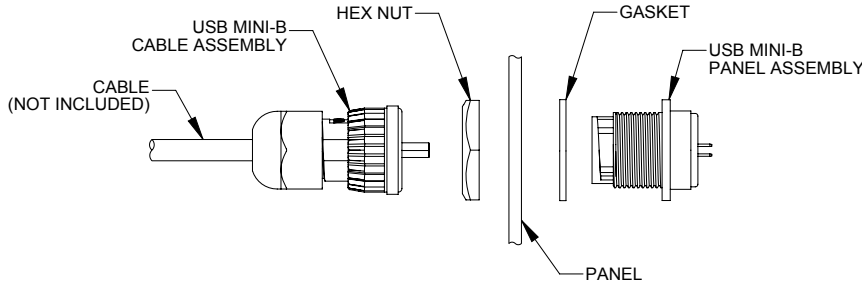
Recommended Cable O.D. Range:	0.161-0.181 inches [4.1mm-4.6mm]
Recommended Panel Thickness:	0.031-0.187 inches [0.8mm-4.8mm]



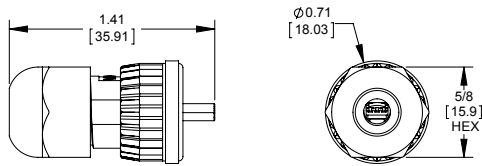
Please visit [conxall.com](http://conxall.com) for the most up-to-date product specifications. Made in USA.

# DATA CON-X: SEALED MINI-USB TYPE B CONNECTORS

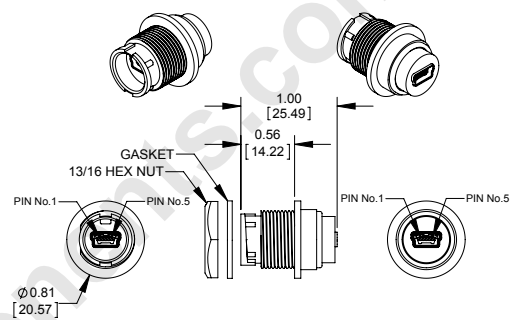
## NEW PRODUCT BULLETIN 710



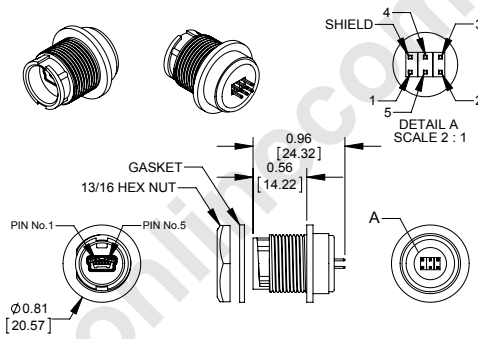
**DCC-USBNB-160**  
USB Mini-B Cable Plug Field Installable



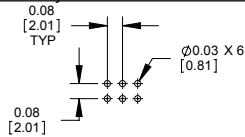
**DCP-USBNB-USBN**  
USB Mini-B Feed-Thru



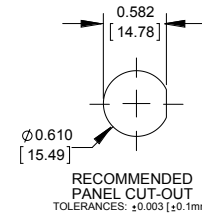
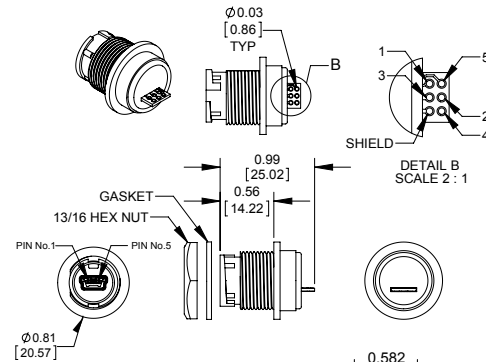
**DCP-USBNB-MNHD**  
USB Mini-B to PC Tails



PCB Hole Layout for DCP-USBNB-MNHD



**DCP-USBNB-MNSC**  
USB Mini-B to Solder Holes



All Product Dimensions are reference only

Part Number	Style	Description
DCC-USBNB-160	Plug	Field Installable Cable Plug
DCP-USBNB-MNHD	Receptacle	Panel Mount: USB Mini-B to PC Tails
DCP-USBNB-MNSC	Receptacle	Panel Mount: USB Mini-B to Solder Holes
DCP-USBNB-USBN	Receptacle	Panel Mount: USB Mini-B Feed-thru



Please visit [conxall.com](http://conxall.com) for the most up-to-date product specifications. Made in USA.