

## Precision 8-Ch/Dual 4-Ch Low Voltage Analog Multiplexers

### DESCRIPTION

The DG408L, DG409L are low voltage pin-for-pin compatible companion devices to the industry standard DG408, DG409 with improved performance.

Using BiCMOS wafer fabrication technology allows the DG408L, DG409L to operate on single and dual supplies. Single supply voltage ranges from 3 V to 12 V while dual supply operation is recommended with  $\pm 3$  V to  $\pm 6$  V.

The DG408L is an 8 channel single-ended analog multiplexer designed to connect one of eight inputs to a common output as determined by a 3 bit binary address ( $A_0$ ,  $A_1$ ,  $A_2$ ). The DG409L is a dual 4 channel differential analog multiplexer designed to connect one of four differential inputs to a common dual output as determined by its 2 bit binary address ( $A_0$ ,  $A_1$ ). Break-before-make switching action to protect against momentary crosstalk between adjacent channels.

The DG408L, DG409L provides lower on-resistance, faster switching time, lower leakage, less power consumption and higher off-Isolation than the DG408, DG409.

### FEATURES

- Pin-for-pin compatibility with DG408, DG409
- 2.7 V to 12 V single supply or  $\pm 3$  V to  $\pm 6$  V dual supply operation
- Lower on-resistance:  $R_{DS(on)}$  - 17  $\Omega$  typ.
- Fast switching:  $t_{ON}$  - 38 ns,  $t_{OFF}$  - 18 ns
- Break-before-make guaranteed
- Low leakage:  $I_{S(off)}$  - 0.2 nA max.
- Low charge injection: 1 pC
- TTL, CMOS, LV logic (3 V) compatible
- 82 dB off-isolation at 1 MHz
- 2000 V ESD protection (HBM)
- Compliant to RoHS directive 2002/95/EC



**RoHS\***  
COMPLIANT

### BENEFITS

- High accuracy
- Single and dual power rail capacity
- Wide operating voltage range
- Simple logic interface

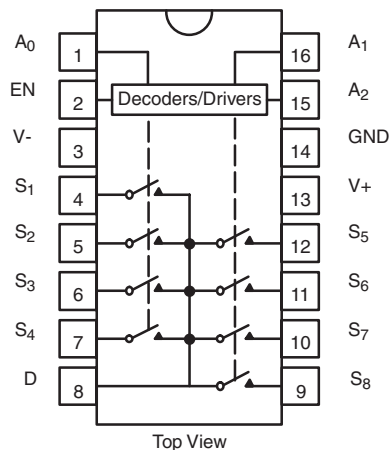
### APPLICATIONS

- Data acquisition systems
- Battery operated equipment
- Portable test equipment
- Sample and hold circuits
- Communication systems
- SDSL, DSLAM
- Audio and video signal routing

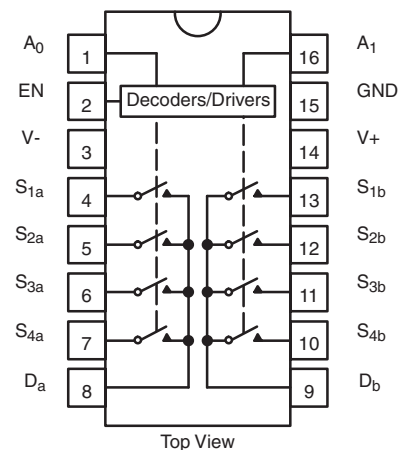
### FUNCTIONAL BLOCK DIAGRAMS AND PIN CONFIGURATIONS

**DG408L**

Dual-In- Line, SOIC and TSSOP


**DG409L**

Dual-In- Line, SOIC and TSSOP



\* Pb containing terminations are not RoHS compliant, exemptions may apply

TRUTH TABLE DG408L				
A <sub>2</sub>	A <sub>1</sub>	A <sub>0</sub>	EN	On Switch
X	X	X	0	None
0	0	0	1	1
0	0	1	1	2
0	1	0	1	3
0	1	1	1	4
1	0	0	1	5
1	0	1	1	6
1	1	0	1	7
1	1	1	1	8

TRUTH TABLE DG409L			
A <sub>1</sub>	A <sub>0</sub>	EN	On Switch
X	X	0	None
0	0	1	1
0	1	1	2
1	0	1	3
1	1	1	4

Logic "0" =  $V_{AL} \leq 0.8\text{ V}$   
 Logic "1" =  $V_{AH} \geq 2.4\text{ V}$   
 X = Do not Care

For low and high voltage levels for  $V_{AX}$  and  $V_{EN}$  consult "Digital Control" parameters for specific  $V_+$  operation.

ORDERING INFORMATION DG408L		
Temp. Range	Package	Part Number
- 40 °C to 85 °C	16-Pin SOIC	DG408LDY DG408LDY-E3 DG408LDY-T1 DG408LDY-T1-E3
	16-Pin TSSOP	DG408LDQ DG408LDQ-E3 DG408LDQ-T1 DG408LDQ-T1-E3

ORDERING INFORMATION DG409L		
Temp. Range	Package	Part Number
- 40 °C to 85 °C	16-Pin SOIC	DG409LDY DG409LDY-E3 DG409LDY-T1 DG409LDY-T1-E3
	16-Pin TSSOP	DG409LDQ DG409LDQ-E3 DG409LDQ-T1 DG409LDQ-T1-E3

ABSOLUTE MAXIMUM RATINGS			
Parameter	Limit	Unit	
Voltage Referenced $V_+$ to $V_-$	14	V	
GND	7		
Digital Inputs <sup>a</sup> , $V_S$ , $V_D$	$(V_-) - 0.3$ to $(V_+) + 0.3$		
Current (Any Terminal)	30	mA	
Peak Current, S or D (Pulsed at 1 ms, 10 % Duty Cycle Max.)	100		
Storage Temperature	(A Suffix)	- 65 to 150	°C
	(D Suffix)	- 65 to 125	
Power Dissipation (Package) <sup>b</sup>	16-Pin Plastic TSSOP <sup>c</sup>	650	mW
	16-Pin Narrow SOIC <sup>c</sup>	600	
	16-Pin CerDIP <sup>d</sup>	900	
	LCC-20 <sup>e</sup>	750	

Notes:

- a. Signals on  $S_X$ ,  $DX$ ,  $A_X$ , or  $EN$  exceeding  $V_+$  or  $V_-$  will be clamped by internal diodes. Limit forward diode current to maximum current ratings.
- b. All leads soldered or welded to PC board.
- c. Derate 7.6 mW/°C above 75 °C.
- d. Derate 12 mW/°C above 75 °C.
- e. Derate 10 mW/°C above 75 °C.



SPECIFICATIONS Single Supply 12 V									
Parameter	Symbol	Test Conditions Unless Otherwise Specified $V_+ = 12\text{ V}, \pm 10\%$ , $V_- = 0\text{ V}$ $V_{EN} = 0.8\text{ V}$ or $2.4\text{ V}^f$	Temp. <sup>b</sup>	Typ. <sup>d</sup>	A Suffix -55 °C to 125 °C		D Suffix -40 °C to 85 °C		Unit
					Min. <sup>c</sup>	Max. <sup>c</sup>	Min. <sup>c</sup>	Max. <sup>c</sup>	
<b>Analog Switch</b>									
Analog Signal Range <sup>e</sup>	$V_{ANALOG}$		Full		0	12	0	12	V
Drain-Source On-Resistance	$R_{DS(on)}$	$V_D = 10.8\text{ V}, V_D = 2\text{ V}$ or $9\text{ V}, I_S = 10\text{ mA}$ Sequence Each Switch On	Room Full	17		29 38		29 35	Ω
$R_{DS(on)}$ Matching Between Channels <sup>g</sup>	$\Delta R_{DS}$	$V_D = 10.8\text{ V}, V_D = 2\text{ V}$ or $9\text{ V}$ $I_S = 10\text{ mA}$	Room	1		3		3	
On-Resistance Flatness <sup>i</sup>	$R_{FLAT(on)}$		Room	3		7		7	
Switch Off Leakage Current	$I_{S(off)}$	$V_{EN} = 0\text{ V}, V_D = 11\text{ V}$ or $1\text{ V}$ $V_S = 1\text{ V}$ or $11\text{ V}$	Room Full		-1 -15	1 15	-1 -10	1 10	nA
	$I_{D(off)}$		Room Full		-1 -15	1 15	-1 -10	1 10	
Channel On Leakage Current	$I_{D(on)}$	$V_S = V_D = 1\text{ V}$ or $11\text{ V}$	Room Full		-1 -15	1 15	-1 -10	1 10	
<b>Digital Control</b>									
Logic High Input Voltage	$V_{INH}$		Full		2.4		2.4		V
Logic Low Input Voltage	$V_{INL}$		Full			0.8		0.8	
Input Current	$I_{IN}$	$V_{AX} = V_{EN} = 2.4\text{ V}$ or $0.8\text{ V}$	Full		-1.5	1.5	-1	1	μA
<b>Dynamic Characteristics</b>									
Transition Time	$t_{TRANS}$	$V_{S1} = 8\text{ V}, V_{S8} = 0\text{ V}$ , (DG408L) $V_{S1b} = 8\text{ V}, V_{S4b} = 0\text{ V}$ , (DG409L) See Figure 2	Room Full	30		60 68		60 65	ns
Break-Before-Make Time	$t_{OPEN}$	$V_{S(all)} = V_{DA} = 5\text{ V}$ See Figure 4	Room Full	11	1		1		
Enable Turn-On Time	$t_{ON(EN)}$	$V_{AX} = 0\text{ V}, V_{S1} = 5\text{ V}$ (DG408L) $V_{AX} = 0\text{ V}, V_{S1b} = 5\text{ V}$ (DG409L) See Figure 3	Room Full	38		55 60		55 60	
Enable Turn-Off Time	$t_{OFF(EN)}$		Room Full	18		25 35		25 30	
Charge Injection <sup>e</sup>	Q	$C_L = 1\text{ nF}, V_{GEN} = 0\text{ V}, R_{GEN} = 0\ \Omega$	Room	1		5		5	pC
Off Isolation <sup>e, h</sup>	OIRR	$f = 100\text{ kHz}, R_L = 1\text{ k}\Omega$	Room	-70					dB
Crosstalk <sup>e</sup>	$X_{TALK}$		Room	-82					
Source Off Capacitance <sup>e</sup>	$C_{S(off)}$	$f = 1\text{ MHz}, V_S = 0\text{ V}, V_{EN} = 0\text{ V}$	Room	7					pF
Drain Off Capacitance <sup>e</sup>	$C_{D(off)}$	$f = 1\text{ MHz}, V_D = 2.4\text{ V}, V_{EN} = 0\text{ V}$	Room	20					
Drain On Capacitance <sup>e</sup>	$C_{D(on)}$	$f = 1\text{ MHz}, V_D = 0\text{ V}, V_{EN} = 2.4\text{ V}$ (DG409L only)	Room	31					
<b>Power Supplies</b>									
Power Supply Range	V+				3	12	3	12	V
Power Supply Current	I+	$V_{EN} = V_A = 0\text{ V}$ or $5\text{ V}$	Room	0.2		0.7		0.7	mA

Notes:

- a. Leakage parameters are guaranteed by worst case test condition and not subject to production test.
- b. Room = 25 °C, Full = as determined by the operating temperature suffix.
- c. The algebraic convention whereby the most negative value is a minimum and the most positive a maximum, is used in this data sheet.
- d. Typical values are for DESIGN AID ONLY, not guaranteed nor subject to production testing.
- e. Guaranteed by design, not subject to production test.
- f.  $V_{IN}$  = input voltage to perform proper function.
- g.  $\Delta R_{DS(on)} = R_{DS(on)} \text{ Max} - R_{DS(on)} \text{ Min}$ .
- h. Worst case isolation occurs on Channel 4 do to proximity to the drain pin.
- i.  $R_{DS(on)}$  flatness is measured as the difference between the minimum and maximum measured values across a defined Analog signal.

<b>SPECIFICATIONS</b> Dual Supply $V_+ = 5\text{ V}$ , $V_- = 5\text{ V}$									
Parameter	Symbol	Test Conditions Unless Otherwise Specified $V_+ = 5\text{ V}$ , $\pm 10\%$ , $V_- = -5\text{ V}$ , $V_- = 0\text{ V}$ $V_{EN} = 0.6\text{ V}$ or $2.4\text{ V}^f$	Temp. <sup>b</sup>	Typ. <sup>d</sup>	A Suffix -55 °C to 125 °C		D Suffix -40 °C to 85 °C		Unit
					Min. <sup>c</sup>	Max. <sup>c</sup>	Min. <sup>c</sup>	Max. <sup>c</sup>	
<b>Analog Switch</b>									
Analog Signal Range <sup>e</sup>	$V_{ANALOG}$		Full		-5	5	-5	5	V
Drain-Source On-Resistance	$R_{DS(on)}$	$V_D = \pm 3.5\text{ V}$ , $I_S = 10\text{ mA}$ Sequence Each Switch On	Room Full	20		40 50		40 50	$\Omega$
Switch Off Leakage Current <sup>a</sup>	$I_{S(off)}$	$V_+ = 5.5\text{ V}$ , $V_- = 5.5\text{ V}$ $V_{EN} = 0\text{ V}$ , $V_D = \pm 4.5\text{ V}$ , $V_S = 4.5\text{ V}$ ±	Room Full		-1 -15	1 15	-1 -10	1 10	nA
	$I_{D(off)}$		Room Full		-1 -15	1 15	-1 -10	1 10	
Channel On Leakage Current <sup>a</sup>	$I_{D(on)}$	$V_+ = 5.5\text{ V}$ , $V_- = -5.5\text{ V}$ $V_{EN} = 2.4\text{ V}$ , $V_D = \pm 4.5\text{ V}$ , $V_S = 4.5\text{ V}$ ±	Room Full		-1 -15	1 15	-1 -10	1 10	
<b>Digital Control</b>									
Logic High Input Voltage	$V_{INH}$		Full		2.4		2.4		V
Logic Low Input Voltage	$V_{INL}$		Full			0.6		0.6	
Input Current <sup>a</sup>	$I_{IN}$	$V_{AX} = V_{EN} = 2.4\text{ V}$ or $0.6\text{ V}$	Full		-1.5	1.5	-1	1	$\mu\text{A}$
<b>Dynamic Characteristics</b>									
Transition Time <sup>e</sup>	$t_{TRANS}$	$V_{S1} = 3.5\text{ V}$ , $V_{S8} = -3.5\text{ V}$ , (DG408L) $V_{S1b} = 3.5\text{ V}$ , $V_{S4b} = -3.5\text{ V}$ , (DG409L) See Figure 2	Room Full	30		60 78		60 65	ns
Break-Before-Make Time <sup>e</sup>	$t_{OPEN}$	$V_{S(all)} = V_{DA} = 3.5\text{ V}$ See Figure 4	Room Full	8	1		1		
Enable Turn-On Time <sup>e</sup>	$t_{ON(EN)}$	$V_{AX} = 0\text{ V}$ , $V_{S1} = 3.5\text{ V}$ (DG408L) $V_{AX} = 0\text{ V}$ , $V_{S1b} = 3.5\text{ V}$ (DG409L) See Figure 3	Room Full	25		55 68		55 60	
Enable Turn-Off Time <sup>e</sup>	$t_{OFF(EN)}$		Room Full	20		40 50		40 45	
Source Off Capacitance <sup>e</sup>	$C_{S(off)}$	$f = 1\text{ MHz}$ , $V_S = 0\text{ V}$ , $V_{EN} = 0\text{ V}$	Room	6					pF
Drain Off Capacitance <sup>e</sup>	$C_{D(off)}$	$f = 1\text{ MHz}$ , $V_D = 0\text{ V}$ , $V_{EN} = 0\text{ V}$	Room	15					
Drain On Capacitance <sup>e</sup>	$C_{D(on)}$	$f = 1\text{ MHz}$ , $V_D = 0\text{ V}$ , $V_{EN} = 2.4\text{ V}$	Room	29					

**Notes:**

- Leakage parameters are guaranteed by worst case test condition and not subject to production test.
- Room = 25 °C, full = as determined by the operating temperature suffix.
- The algebraic convention whereby the most negative value is a minimum and the most positive a maximum, is used in this datasheet.
- Typical values are for DESIGN AID ONLY, not guaranteed nor subject to production testing.
- Guaranteed by design, not subject to production test.
- $V_{IN}$  = input voltage to perform proper function.
- $\Delta R_{DS(on)} = R_{DS(on)} \text{ max.} - R_{DS(on)} \text{ min.}$
- Worst case isolation occurs on channel 4 do to proximity to the drain pin.
- $R_{DS(on)}$  flatness is measured as the difference between the minimum and maximum measured values across a defined analog signal.

<b>SPECIFICATIONS</b> Single Supply 5 V									
Parameter	Symbol	Test Conditions Unless Otherwise Specified $V_+ = 5\text{ V}, \pm 10\%, V_- = 0\text{ V}$ $V_{EN} = 0.6\text{ V}$ or $2.4\text{ V}^f$	Temp. <sup>b</sup>	Typ. <sup>d</sup>	A Suffix -55 °C to 125 °C		D Suffix -40 °C to 85 °C		Unit
					Min. <sup>c</sup>	Max. <sup>c</sup>	Min. <sup>c</sup>	Max. <sup>c</sup>	
<b>Analog Switch</b>									
Analog Signal Range <sup>e</sup>	$V_{ANALOG}$		Full		0	5	0	5	V
Drain-Source On-Resistance	$R_{DS(on)}$	$V_+ = 4.5\text{ V}, V_D$ or $V_S = 1\text{ V}$ or $3.5\text{ V}, I_D = 5\text{ mA}$	Room Full	35		49 62		40 62	$\Omega$
$R_{DS(on)}$ Matching Between Channels <sup>g</sup>	$\Delta R_{DS}$	$V_+ = 4.5\text{ V}, V_D = 1\text{ V}$ or $3.5\text{ V}, I_S = 5\text{ mA}$	Room	1.5		3		3	
On-Resistance Flatness <sup>i</sup>	$R_{FLAT(on)}$		Room			4		4	
Switch Off Leakage Current <sup>a</sup>	$I_{S(off)}$	$V_+ = 5.5\text{ V}, V_S = 1\text{ V}$ or $4\text{ V}$ $V_D = 4\text{ V}$ or $1\text{ V}$	Room Full		-1 -15	1 15	-1 -10	1 10	nA
	$I_{D(off)}$		Room Full		-1 -15	1 15	-1 -10	1 10	
Channel On Leakage Current <sup>a</sup>	$I_{D(on)}$	$V_+ = 5.5\text{ V}, V_D = V_S = 1\text{ V}$ or $4\text{ V}$ Sequence Each Switch On	Room Full		-1 -15	1 15	-1 -10	1 10	
<b>Digital Control</b>									
Logic High Input Voltage	$V_{INH}$	$V_+ = 5\text{ V}$	Full		2.4		2.4		V
Logic Low Input Voltage	$V_{INL}$		Full			0.6		0.6	
Input Current <sup>a</sup>	$I_{IN}$	$V_{AX} = V_{EN} = 2.4\text{ V}$ or $0.6\text{ V}$	Full		-1.5	1.5	-1	1	$\mu\text{A}$
<b>Dynamic Characteristics</b>									
Transition Time <sup>e</sup>	$t_{TRANS}$	$V_{S1} = 3.5\text{ V}, V_{S8} = 0\text{ V},$ (DG408L) $V_{S1b} = 3.5\text{ V}, V_{S4b} = 0\text{ V},$ (DG409L) See Figure 2	Room Full	44		125 138		125 135	ns
Break-Before-Make Time <sup>e</sup>	$t_{OPEN}$	$V_{S(all)} = V_{DA} = 3.5\text{ V},$ See Figure 4	Room Full	17	1		1		
Enable Turn-On Time <sup>e</sup>	$t_{ON(EN)}$	$V_{AX} = 0\text{ V}, V_{S1} = 3.5\text{ V}$ (DG408L) $V_{AX} = 0\text{ V}, V_{S1b} = 3.5\text{ V}$ (DG409L) See Figure 3	Room Full	43		60 70		60 65	
Enable Turn-Off Time <sup>e</sup>	$t_{OFF(EN)}$		Room Full	26		45 60		45 50	
Charge Injection <sup>e</sup>	Q	$C_L = 1\text{ nF}, R_{GEN} = 0\ \Omega, V_{GEN} = 0\ \Omega$	Room	1		5		5	
Off Isolation <sup>e, h</sup>	OIRR	$f = 100\text{ kHz}, R_L = 1\text{ k}\Omega$	Room	-70					dB
Crosstalk <sup>e</sup>	$X_{TALK}$		Room	-80					
Source Off Capacitance <sup>e</sup>	$C_{S(off)}$	$f = 1\text{ MHz}, V_S = 0\text{ V}, V_{EN} = 0\text{ V}$	Room	8					pF
Drain Off Capacitance <sup>e</sup>	$C_{D(off)}$	$f = 1\text{ MHz}, V_D = 0\text{ V}, V_{EN} = 0\text{ V}$	Room	21					
Drain On Capacitance <sup>e</sup>	$C_{D(on)}$	$f = 1\text{ MHz}, V_D = 0\text{ V}, V_{EN} = 2.4\text{ V}$ (DG409L only)	Room	32					

**Notes:**

- Leakage parameters are guaranteed by worst case test condition and not subject to production test.
- Room = 25 °C, full = as determined by the operating temperature suffix.
- The algebraic convention whereby the most negative value is a minimum and the most positive a maximum, is used in this datasheet.
- Typical values are for DESIGN AID ONLY, not guaranteed nor subject to production testing.
- Guaranteed by design, not subject to production test.
- $V_{IN}$  = input voltage to perform proper function.
- $\Delta R_{DS(on)} = R_{DS(on)} \text{ max.} - R_{DS(on)} \text{ min.}$
- Worst case isolation occurs on channel 4 do to proximity to the drain pin.
- $R_{DS(on)}$  flatness is measured as the difference between the minimum and maximum measured values across a defined analog signal.

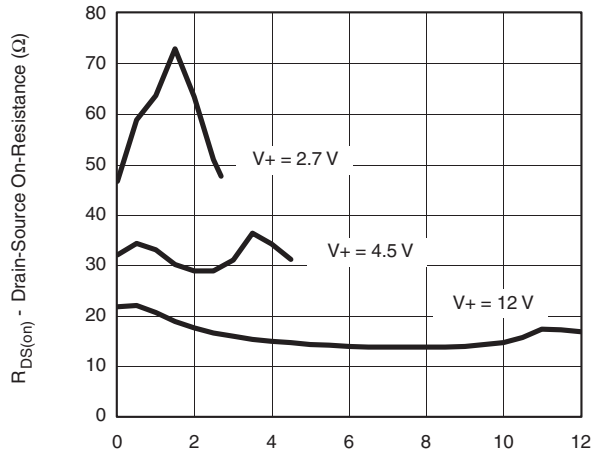
SPECIFICATIONS Single Supply 3 V									
Parameter	Symbol	Test Conditions Unless Otherwise Specified $V_+ = 3\text{ V}, \pm 10\%$ , $V_- = 0\text{ V}$ $V_{EN} = 0.4\text{ V}$ or $2.0\text{ V}^f$	Temp. <sup>b</sup>	Typ. <sup>d</sup>	A Suffix - 55 °C to 125 °C		D Suffix - 40 °C to 85 °C		Unit
					Min. <sup>c</sup>	Max. <sup>c</sup>	Min. <sup>c</sup>	Max. <sup>c</sup>	
<b>Analog Switch</b>									
Analog Signal Range <sup>e</sup>	$V_{ANALOG}$		Full		0	3	0	3	V
Drain-Source On-Resistance	$R_{DS(on)}$	$V_+ = 2.7\text{ V}, V_D = 0.5$ or $2.2\text{ V}, I_S = 5\text{ mA}$	Room Full	60		80 105		80 100	$\Omega$
Switch Off Leakage Current <sup>a</sup>	$I_{S(off)}$	$V_+ = 3.3\text{ V}, V_S = 2$ or $1\text{ V}, V_D = 1$ or $2\text{ V}$	Room Full		- 1 - 15	1 15	- 1 - 10	1 10	nA
	$I_{D(off)}$		Room Full		- 1 - 15	1 15	- 1 - 10	1 10	
Channel On Leakage Current <sup>a</sup>	$I_{D(on)}$	$V_+ = 3.3\text{ V}, V_D = V_S = 1$ or $2\text{ V}$ Sequence Each Switch On	Room Full		- 1 - 15	1 15	- 1 - 10	1 10	
<b>Digital Control</b>									
Logic High Input Voltage	$V_{INH}$		Full		2		2		V
Logic Low Input Voltage	$V_{INL}$		Full			0.4		0.4	
Input Current <sup>a</sup>	$I_{IN}$	$V_{AX} = V_{EN} = 2.4\text{ V}$ or $0.4\text{ V}$	Full		- 1.5	1.5	- 1	1	$\mu\text{A}$
<b>Dynamic Characteristics</b>									
Transition Time	$t_{TRANS}$	$V_{S1} = 1.5\text{ V}, V_{S8} = 0\text{ V}$ , (DG408L) $V_{S1b} = 1.5\text{ V}, V_{S4b} = 0\text{ V}$ , (DG409L) See Figure 2	Room Full	75		150 175		150 175	ns
Break-Before-Make Time	$t_{OPEN}$	$V_{S(all)} = V_{DA} = 1.5\text{ V}$ , See Figure 4	Room Full	32	1		1		
Enable Turn-On Time	$t_{ON(EN)}$	$V_{AX} = 0\text{ V}, V_{S1} = 1.5\text{ V}$ (DG408L) $V_{AX} = 0\text{ V}, V_{S1b} = 1.5\text{ V}$ (DG409L) See Figure 3	Room Full	70		95 115		95 105	
Enable Turn-Off Time	$t_{OFF(EN)}$		Room Full	55		100 115		100 105	
Charge Injection <sup>e</sup>	Q	$C_L = 1\text{ nF}, R_{GEN} = 0\ \Omega, V_{GEN} = 0\text{ V}$	Room	0.4		5		5	pC
Off Isolation <sup>e, h</sup>	OIRR	$R_L = 1\text{ k}\Omega, f = 100\text{ kHz}$	Room		- 70				dB
Crosstalk <sup>e</sup>	$X_{TALK}$		Room			- 79			
Source Off Capacitance <sup>e</sup>	$C_{S(off)}$	$f = 1\text{ MHz}, V_S = 0\text{ V}, V_{EN} = 0\text{ V}$	Room		8				pF
Drain Off Capacitance <sup>e</sup>	$C_{D(off)}$	$f = 1\text{ MHz}, V_D = 0\text{ V}, V_{EN} = 0\text{ V}$	Room		19				
Drain On Capacitance <sup>e</sup>	$C_{D(on)}$	$f = 1\text{ MHz}, V_D = 0\text{ V}, V_{EN} = 2\text{ V}$ (DG409L only)	Room		33				

Notes:

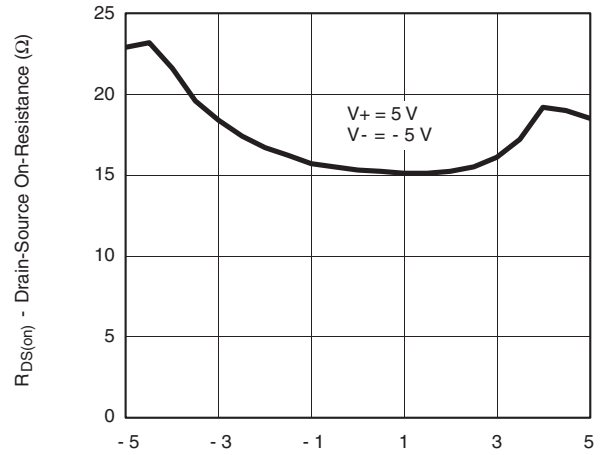
- Leakage parameters are guaranteed by worst case test condition and not subject to production test.
- Room = 25 °C, full = as determined by the operating temperature suffix.
- The algebraic convention whereby the most negative value is a minimum and the most positive a maximum, is used in this datasheet.
- Typical values are for DESIGN AID ONLY, not guaranteed nor subject to production testing.
- Guaranteed by design, not subject to production test.
- $V_{IN}$  = input voltage to perform proper function.
- $\Delta R_{DS(on)} = R_{DS(on)} \text{ max.} - R_{DS(on)} \text{ min.}$
- Worst case isolation occurs on channel 4 do to proximity to the drain pin.
- $R_{DS(on)}$  flatness is measured as the difference between the minimum and maximum measured values across a defined analog signal.

Stresses beyond those listed under "Absolute Maximum Ratings" may cause permanent damage to the device. These are stress ratings only, and functional operation of the device at these or any other conditions beyond those indicated in the operational sections of the specifications is not implied. Exposure to absolute maximum rating conditions for extended periods may affect device reliability.

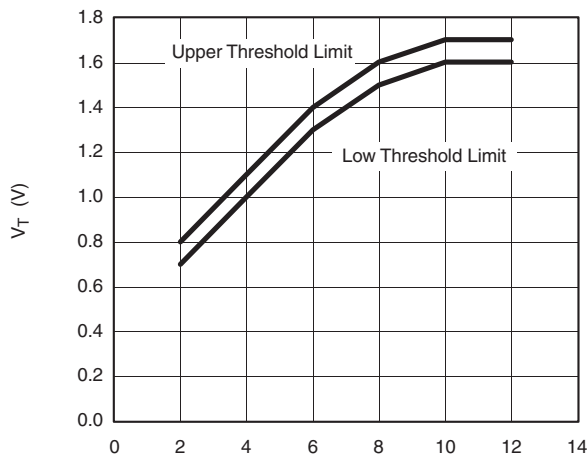
## TYPICAL CHARACTERISTICS 25 °C, unless otherwise noted



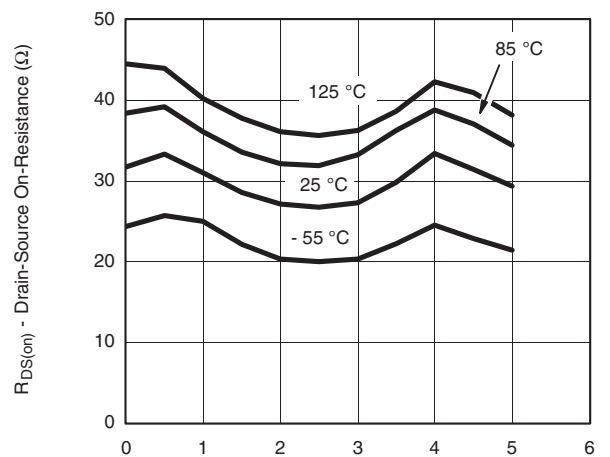
$R_{DS(on)}$  vs.  $V_D$  and Power Supply



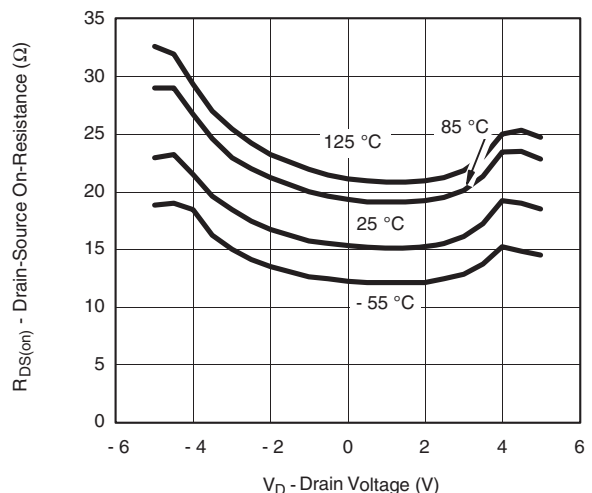
$R_{DS(on)}$  vs.  $V_D$  and Power Supply



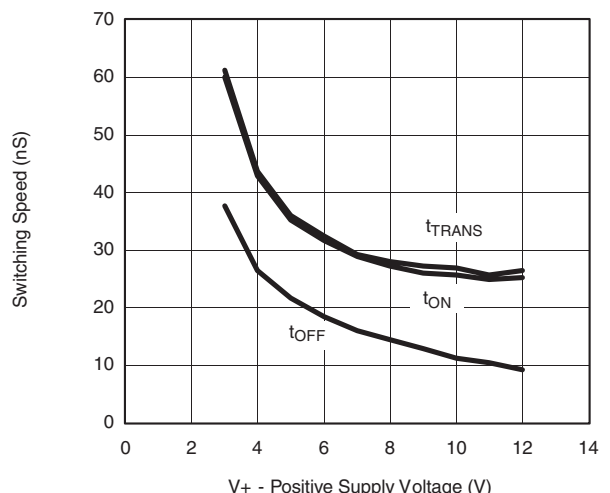
Input Threshold vs.  $V_+$  Supply Voltage



$R_{DS(on)}$  vs.  $V_D$  and Temperature

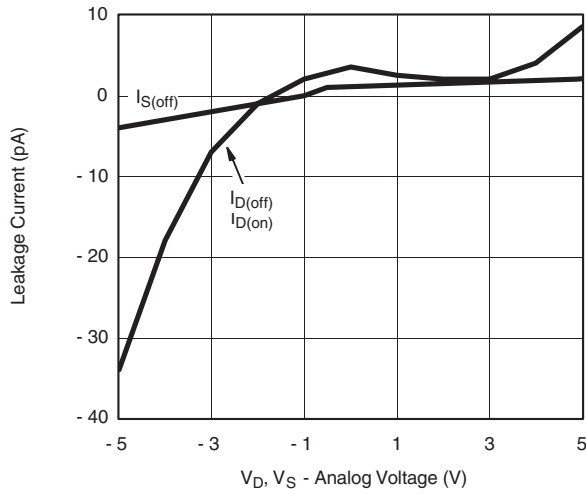


$R_{DS(on)}$  vs.  $V_D$  and Temperature

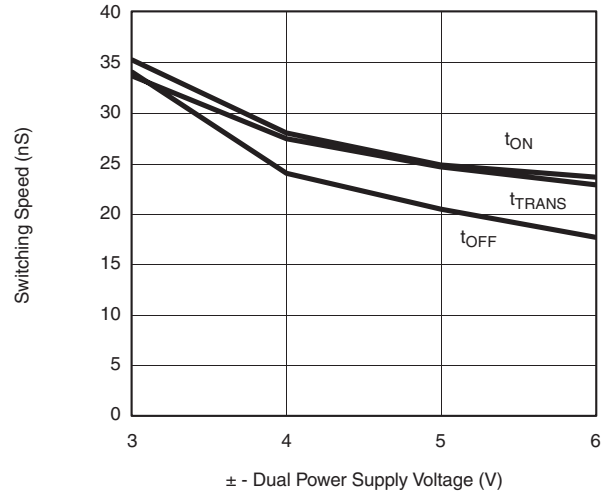


Switching Time vs. Positive Supply Voltage

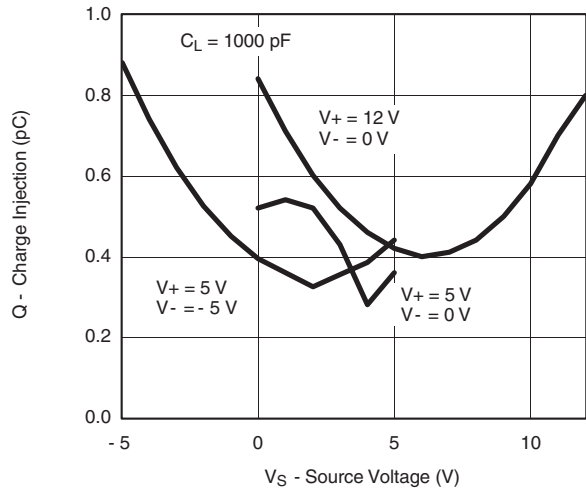
### TYPICAL CHARACTERISTICS 25 °C, unless otherwise noted



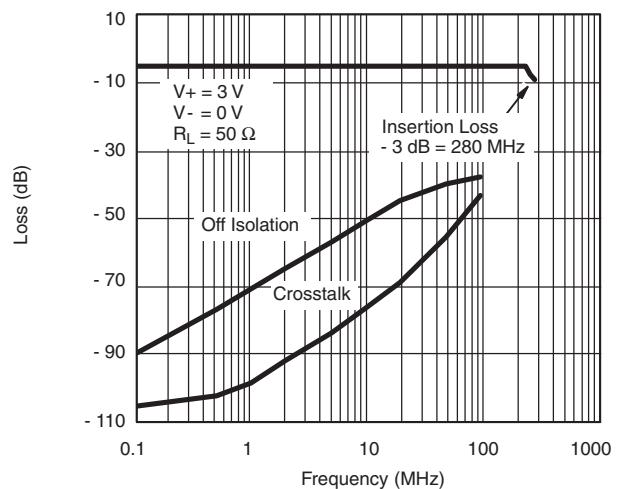
**Leakage Current vs. Analog Voltage**



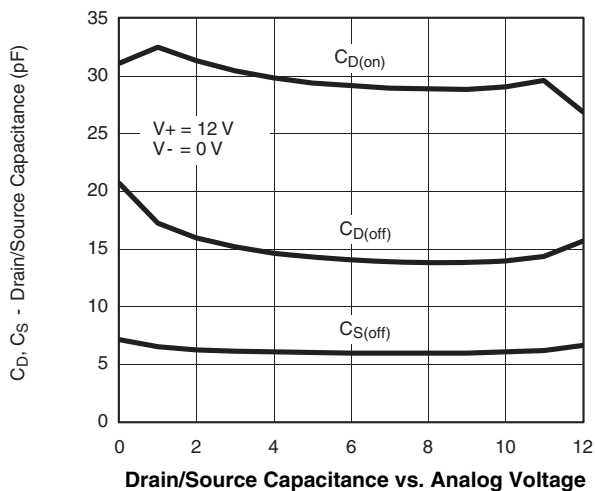
**Switching Time vs. Dual Power Supply Voltage**



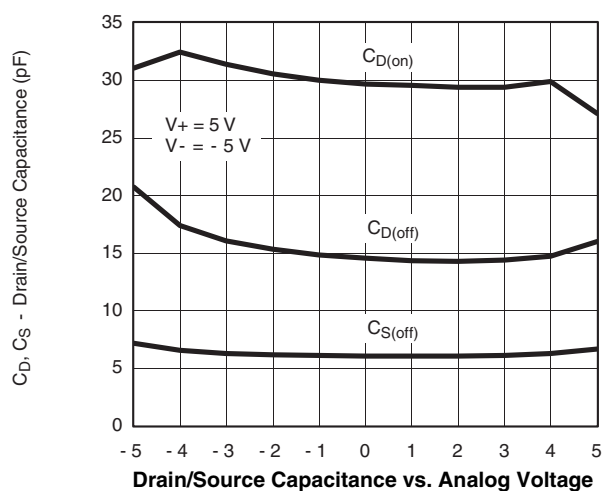
**Charge Injection vs. Analog Voltage**



**Insertion Loss, Off Isolation and Crosstalk vs. Frequency (Single Supply)**



**Drain/Source Capacitance vs. Analog Voltage**



**Drain/Source Capacitance vs. Analog Voltage**



**SCHEMATIC DIAGRAM** Typical Channel

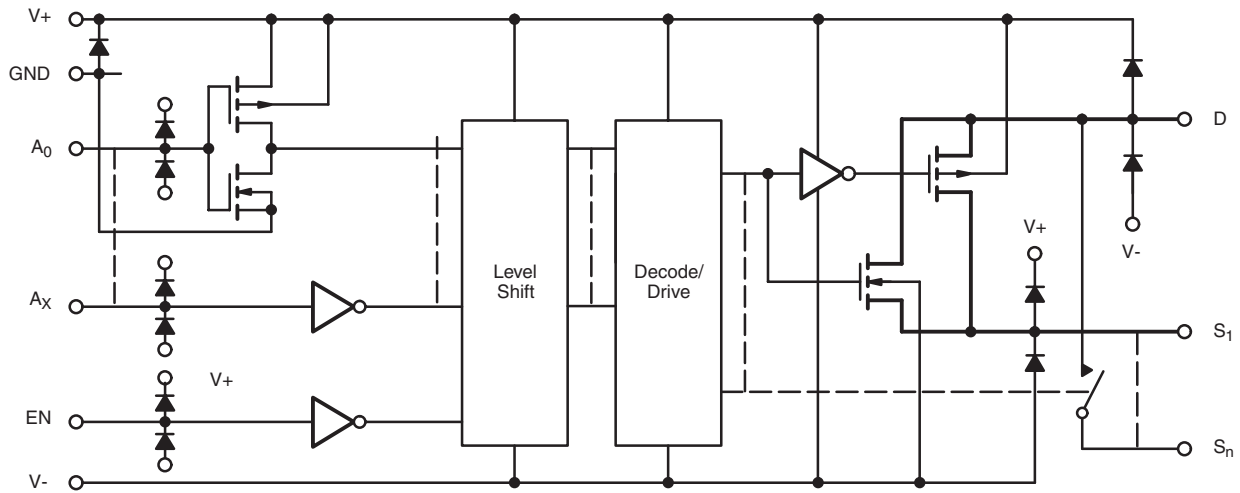


Figure 1.

**TEST CIRCUITS**

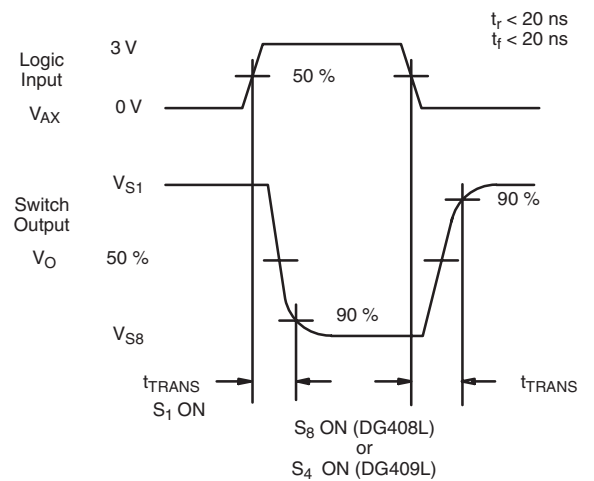
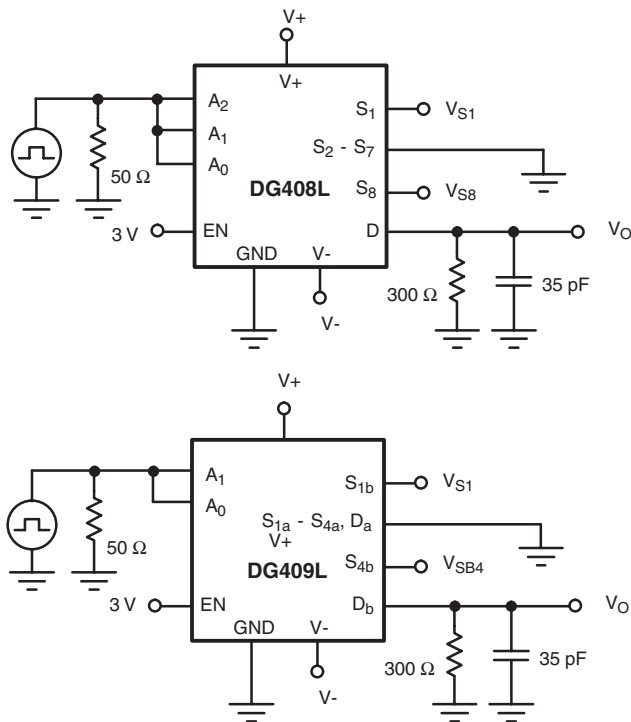


Figure 2. Transition Time

## TEST CIRCUITS

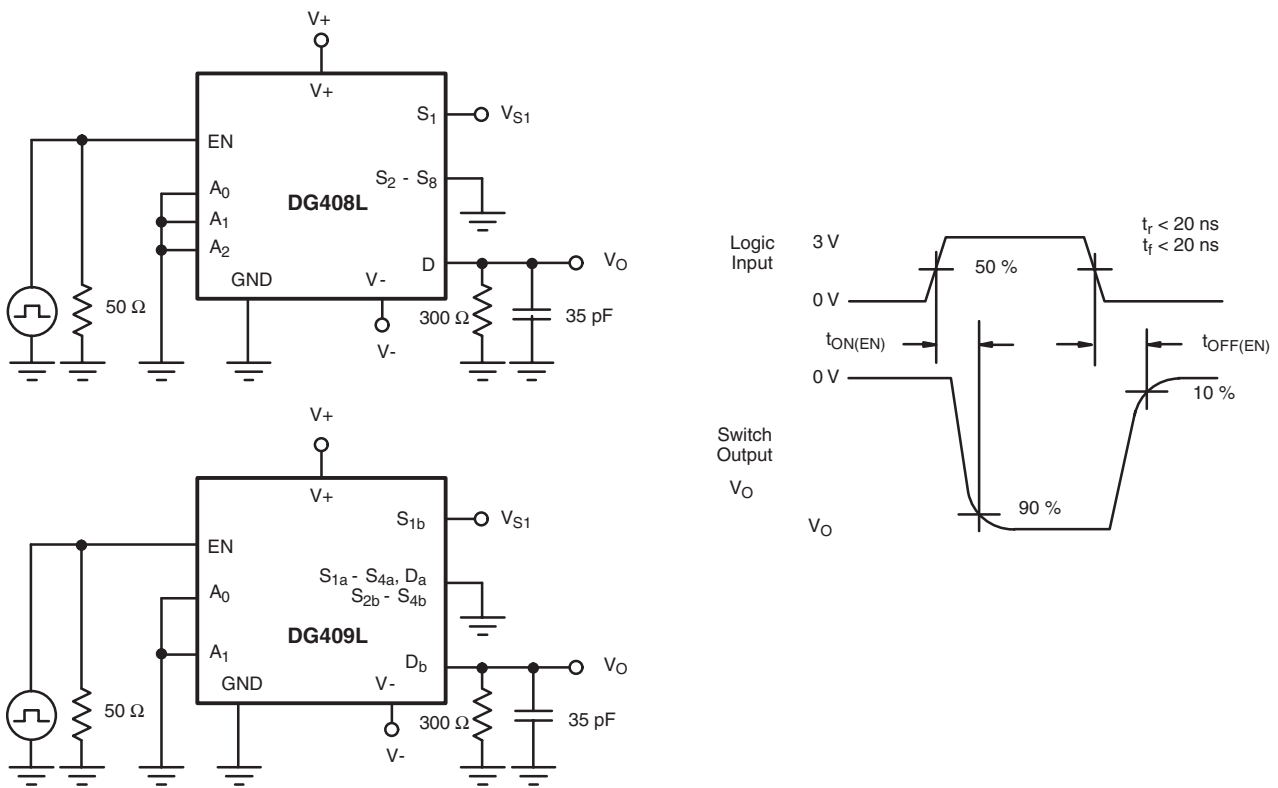


Figure 3. Enable Switching Time

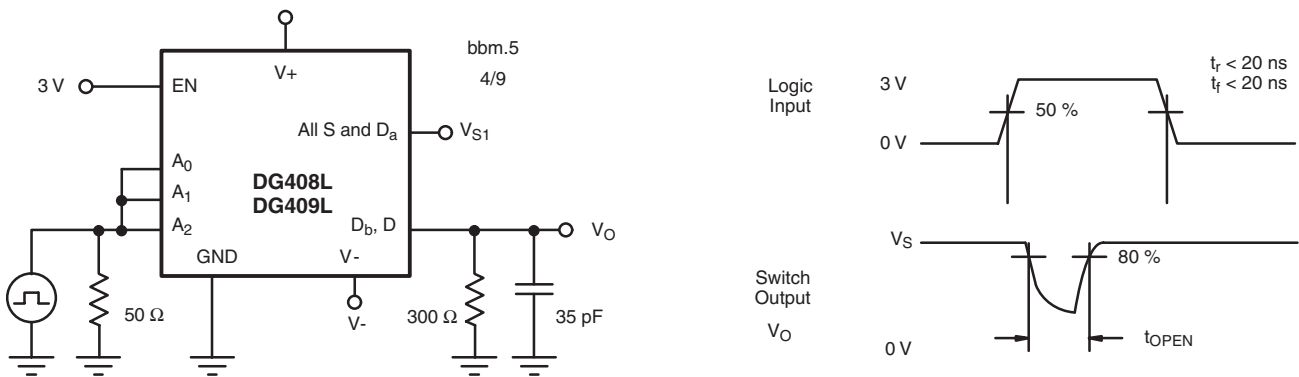
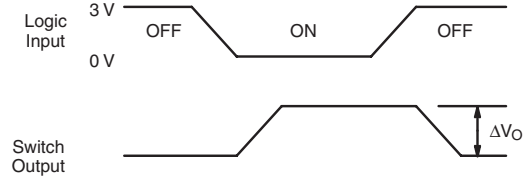
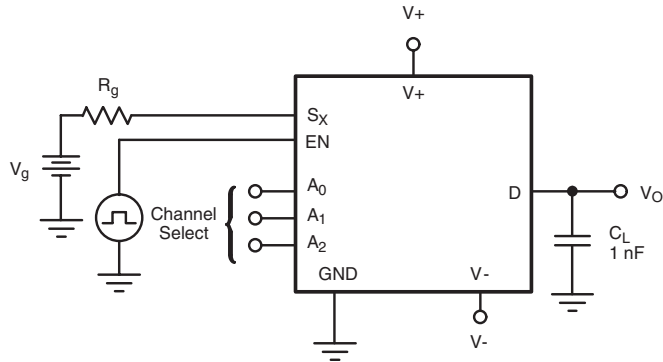


Figure 4. Break-Before-Make Interval

## TEST CIRCUITS



$\Delta V_O$  is the measured voltage due to charge transfer error  $Q$ , when the channel turns off.

$$Q = C_L \times \Delta V_O$$

Figure 5. Charge Injection

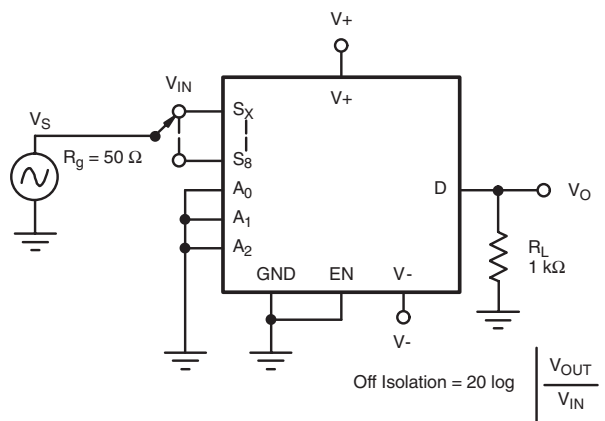


Figure 6. Off Isolation

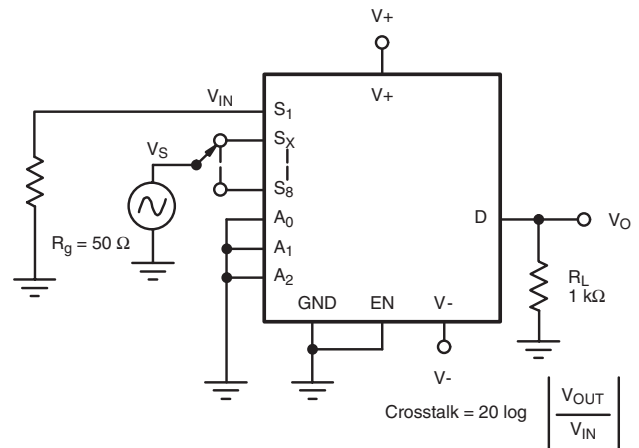


Figure 7. Crosstalk

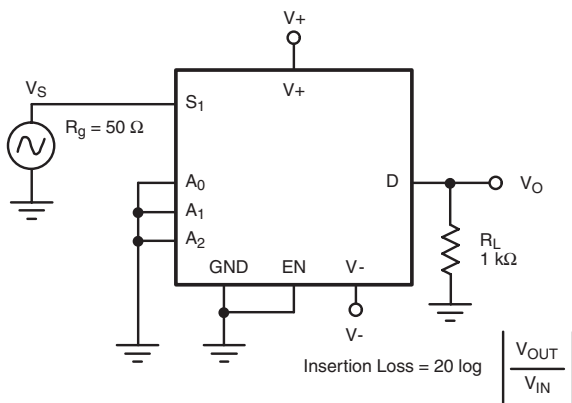


Figure 8. Insertion Loss

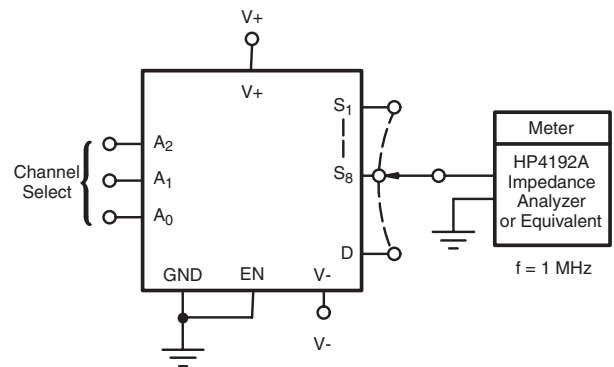


Figure 9. Source Drain Capacitance

Vishay Siliconix maintains worldwide manufacturing capability. Products may be manufactured at one of several qualified locations. Reliability data for Silicon Technology and Package Reliability represent a composite of all qualified locations. For related documents such as package/tape drawings, part marking, and reliability data, see [www.vishay.com/pgp?71342](http://www.vishay.com/pgp?71342).



## Disclaimer

All product specifications and data are subject to change without notice.

Vishay Intertechnology, Inc., its affiliates, agents, and employees, and all persons acting on its or their behalf (collectively, "Vishay"), disclaim any and all liability for any errors, inaccuracies or incompleteness contained herein or in any other disclosure relating to any product.

Vishay disclaims any and all liability arising out of the use or application of any product described herein or of any information provided herein to the maximum extent permitted by law. The product specifications do not expand or otherwise modify Vishay's terms and conditions of purchase, including but not limited to the warranty expressed therein, which apply to these products.

No license, express or implied, by estoppel or otherwise, to any intellectual property rights is granted by this document or by any conduct of Vishay.

The products shown herein are not designed for use in medical, life-saving, or life-sustaining applications unless otherwise expressly indicated. Customers using or selling Vishay products not expressly indicated for use in such applications do so entirely at their own risk and agree to fully indemnify Vishay for any damages arising or resulting from such use or sale. Please contact authorized Vishay personnel to obtain written terms and conditions regarding products designed for such applications.

Product names and markings noted herein may be trademarks of their respective owners.