

**Features**

- Temperature ranges
  - Commercial: 0°C to 70°C
  - Industrial: -40°C to 85°C
  - Automotive-A: -40°C to 85°C
  - Automotive-E: -40°C to 125°C
- Pin and function compatible with CY7C1041BV33
- High speed
  - $t_{AA} = 10$  ns (Commercial, Industrial and Automotive-A)
  - $t_{AA} = 12$  ns (Automotive-E)
- Low active power
  - 324 mW (max)
- 2.0V data retention
- Automatic power down when deselected
- TTL-compatible inputs and outputs
- Easy memory expansion with  $\overline{CE}$  and  $\overline{OE}$  features
- Available in Pb-free and non Pb-free 44-pin 400 Mil SOJ, 44-pin TSOP II and 48-Ball FBGA packages

**Functional Description**

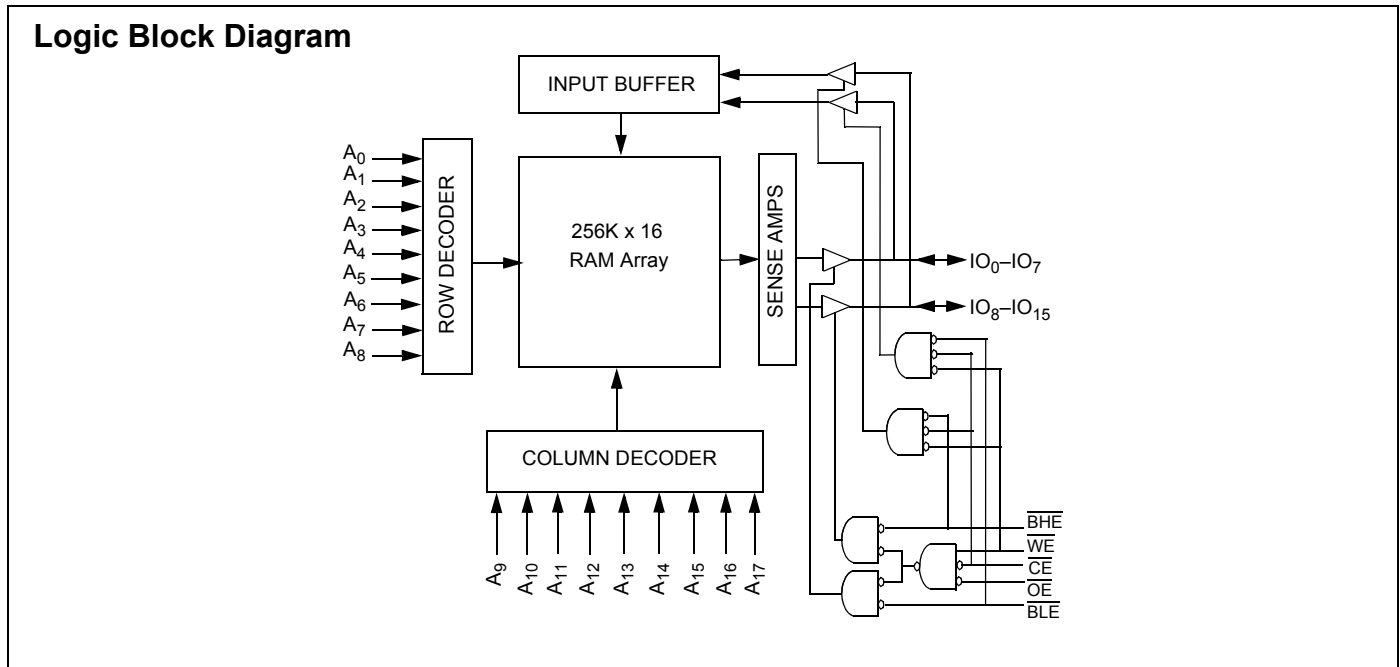
The CY7C1041CV33 is a high performance CMOS static RAM organized as 262,144 words by 16 bits.

To write to the device, take Chip Enable ( $\overline{CE}$ ) and Write Enable (WE) inputs LOW. If Byte Low Enable (BLE) is LOW, then data from IO pins (IO<sub>0</sub> through IO<sub>7</sub>), is written into the location specified on the address pins (A<sub>0</sub> through A<sub>17</sub>). If Byte High Enable (BHE) is LOW, then data from IO pins (IO<sub>8</sub> through IO<sub>15</sub>) is written into the location specified on the address pins (A<sub>0</sub> through A<sub>17</sub>).

To read from the device, take Chip Enable ( $\overline{CE}$ ) and Output Enable (OE) LOW while forcing the Write Enable (WE) HIGH. If Byte Low Enable (BLE) is LOW, then data from the memory location specified by the address pins appear on IO<sub>0</sub> to IO<sub>7</sub>. If Byte High Enable (BHE) is LOW, then data from memory appears on IO<sub>8</sub> to IO<sub>15</sub>. For more information, see the [Truth Table](#) on page 9 for a complete description of Read and Write modes.

The input and output pins (IO<sub>0</sub> through IO<sub>15</sub>) are placed in a high impedance state when the device is deselected (CE HIGH), the outputs are disabled (OE HIGH), the BHE and BLE are disabled (BHE, BLE HIGH), or during a write operation (CE LOW and WE LOW).

For best practice recommendations, refer to the Cypress application note [AN1064, SRAM System Guidelines](#).



### Selection Guide

Description		-10	-12	-15	-20	Unit
Maximum Access Time		10	12	15	20	ns
Maximum Operating Current	Commercial	90	85	80	75	mA
	Industrial	100	95	90	85	mA
	Automotive-A	100			85	mA
	Automotive-E		120		90	mA
Maximum CMOS Standby Current	Commercial/Industrial	10	10	10	10	mA
	Automotive-A	10			10	mA
	Automotive-E		15		15	mA

### Pin Configuration

Figure 1. 44-Pin SOJ/TSOP II (Top View) [1]

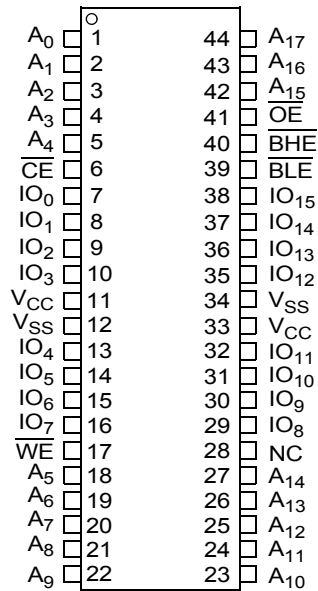
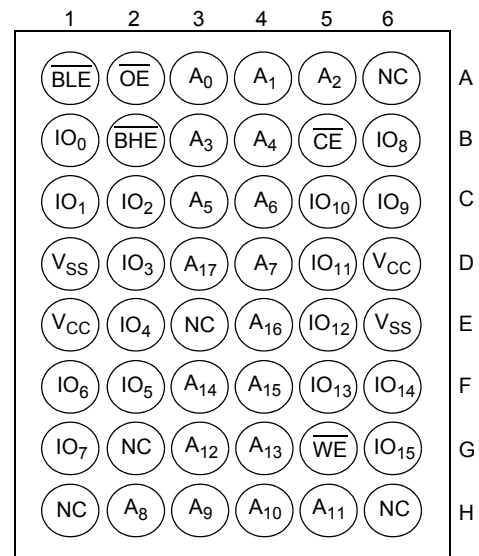


Figure 2. 48-Ball FBGA Pinout (Top View) [1]



**Note**

1. NC pins are not connected on the die.

**Pin Definitions**

Pin Name	SOJ, TSOP Pin Number	BGA Pin Number	IO Type	Description
A <sub>0</sub> –A <sub>17</sub>	1–5, 18–27, 42–44	A3, A4, A5, B3, B4, C3, C4, D4, H2, H3, H4, H5, G3, G4, F3, F4, E4, D3	Input	<b>Address Inputs.</b> Used to select one of the address locations.
IO <sub>0</sub> –IO <sub>15</sub>	7–10, 13–16, 29–32, 35–38	B1, C1, C2, D2, E2, F2, F1, G1, B6, C6, C5, D5, E5, F5, F6, G6	Input or Output	<b>Bidirectional Data IO lines.</b> Used as input or output lines depending on operation.
NC	28	A6, E3, G2, H1, H6	No Connect	<b>No Connects.</b> Not connected to the die.
$\overline{WE}$	17	G5	Input or Control	<b>Write Enable Input, Active LOW.</b> When selected LOW, a write is conducted. When deselected HIGH, a read is conducted.
$\overline{CE}$	6	B5	Input or Control	<b>Chip Enable Input, Active LOW.</b> When LOW, selects the chip. When HIGH, deselects the chip.
$\overline{BHE}$ , $\overline{BLE}$	40, 39	B2, A1	Input or Control	<b>Byte Write Select Inputs, Active LOW.</b> $\overline{BHE}$ controls IO <sub>16</sub> – IO <sub>9</sub> , $\overline{BLE}$ controls IO <sub>8</sub> – IO <sub>1</sub> .
$\overline{OE}$	41	A2	Input or Control	<b>Output Enable, Active LOW.</b> Controls the direction of the IO pins. When LOW, the IO pins are allowed to behave as outputs. When deasserted HIGH, the IO pins are tri-stated and act as input data pins.
V <sub>SS</sub>	12, 34	D1, E6	Ground	<b>Ground for the Device.</b> Connected to ground of the system.
V <sub>CC</sub>	11, 33	D6, E1	Power Supply	<b>Power Supply Inputs to the Device.</b>

## Maximum Ratings

Exceeding maximum ratings may impair the useful life of the device. These user guidelines are not tested.

Storage Temperature ..... -65°C to +150°C

Ambient Temperature with Power Applied ..... -55°C to +125°C

Supply Voltage on  $V_{CC}$  Relative to GND<sup>[2]</sup> ..... -0.5V to +4.6V

DC Voltage Applied to Outputs in High Z State<sup>[2]</sup> ..... -0.5V to  $V_{CC}+0.5V$

DC Input Voltage<sup>[2]</sup> ..... -0.5V to  $V_{CC}+0.5V$

Current into Outputs (LOW)..... 20 mA

Static Discharge Voltage..... >2001V (MIL-STD-883, Method 3015)

Latch Up Current..... >200 mA

## Operating Range

Range	Ambient Temperature ( $T_A$ )	$V_{CC}$
Commercial	0°C to +70°C	3.3V ± 10%
Industrial	-40°C to +85°C	
Automotive-A	-40°C to +85°C	
Automotive -E	-40°C to +125°C	

## Electrical Characteristics

Over the Operating Range

Parameter	Description	Test Conditions	-10		-12		-15		-20		Unit	
			Min	Max	Min	Max	Min	Max	Min	Max		
$V_{OH}$	Output HIGH Voltage	$V_{CC} = \text{Min}, I_{OH} = -4.0 \text{ mA}$	2.4		2.4		2.4		2.4		V	
$V_{OL}$	Output LOW Voltage	$V_{CC} = \text{Min}, I_{OL} = 8.0 \text{ mA}$		0.4		0.4		0.4		0.4	V	
$V_{IH}$	Input HIGH Voltage		2.0	$V_{CC} + 0.3$	2.0	$V_{CC} + 0.3$	2.0	$V_{CC} + 0.3$	2.0	$V_{CC} + 0.3$	V	
$V_{IL}^{[2]}$	Input LOW Voltage		-0.3	0.8	-0.3	0.8	-0.3	0.8	-0.3	0.8	V	
$I_{IX}$	Input Leakage Current	$GND \leq V_I \leq V_{CC}$	Com'l/Ind'l	-1	+1	-1	+1	-1	+1	-1	+1	$\mu\text{A}$
			Auto-A	-1	+1					-1	+1	
			Auto-E			-20	+20			-20	+20	
$I_{OZ}$	Output Leakage Current	$GND \leq V_{OUT} \leq V_{CC}$ , Output disabled	Com'l/Ind'l	-1	+1	-1	+1	-1	+1	-1	+1	$\mu\text{A}$
			Auto-A	-1	+1					-1	+1	
			Auto-E			-20	+20			-20	+20	
$I_{CC}$	$V_{CC}$ Operating Supply Current	$V_{CC} = \text{Max},$ $f = f_{MAX} = 1/t_{RC}$	Com'l		90		85		80		75	mA
			Ind'l		100		95		90		85	
			Auto-A		100						85	
			Auto-E				120				90	
$I_{SB1}$	Automatic CE Power Down Current — TTL Inputs	Max $V_{CC}$ , $CE \geq V_{IH}$ , $V_{IN} \geq V_{IH}$ or $V_{IN} \leq V_{IL}$ , $f = f_{MAX}$	Com'l/Ind'l		40		40		40		40	mA
			Auto-A		40					40		
			Auto-E				45			45		
$I_{SB2}$	Automatic CE Power Down Current — CMOS Inputs	Max $V_{CC}$ , $CE \geq V_{CC} - 0.3V$ , $V_{IN} \geq V_{CC} - 0.3V$ , or $V_{IN} \leq 0.3V$ , $f = 0$	Com'l/Ind'l		10		10		10		10	mA
			Auto-A		10					10		
			Auto-E				15			15		

### Note

2.  $V_{IL}(\text{min}) = -2.0V$  and  $V_{IH}(\text{max}) = V_{CC} + 0.5V$  for pulse durations of less than 20 ns.

### Capacitance

Tested initially and after any design or process changes that may affect these parameters.

Parameter	Description	Test Conditions	Max	Unit
C <sub>IN</sub>	Input Capacitance	T <sub>A</sub> = 25°C, f = 1 MHz, V <sub>CC</sub> = 3.3V	8	pF
C <sub>OUT</sub>	Output Capacitance		8	pF

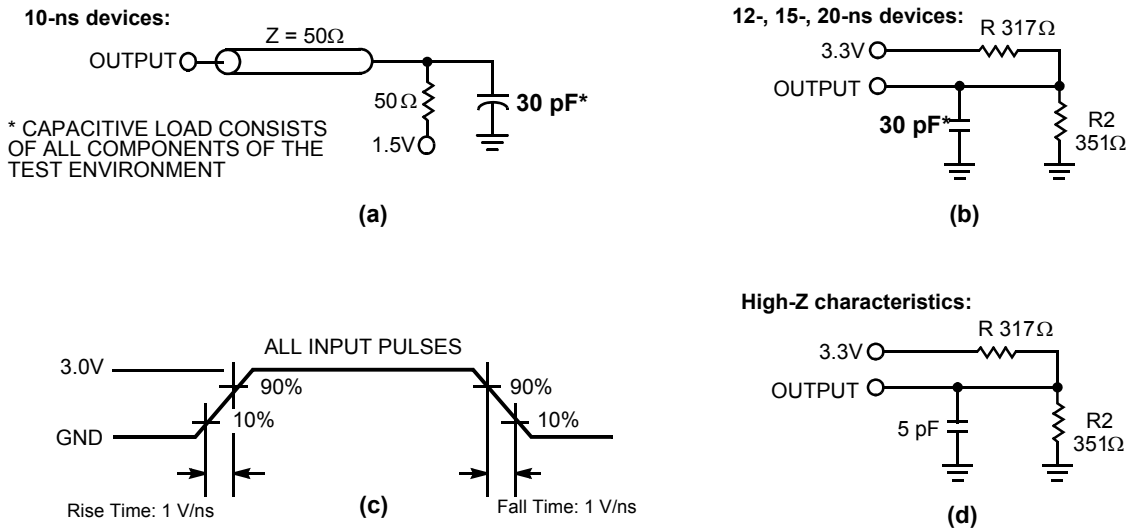
### Thermal Resistance

Tested initially and after any design or process changes that may affect these parameters.

Parameter	Description	Test Conditions	SOJ	TSOP II	FBGA	Unit
Θ <sub>JA</sub>	Thermal Resistance (Junction to Ambient)	Test conditions follow standard test methods and procedures for measuring thermal impedance, per EIA/JESD51	25.99	42.96	38.15	°C/W
Θ <sub>JC</sub>	Thermal Resistance (Junction to Case)		18.8	10.75	9.15	°C/W

### AC Test Loads and Waveforms

Figure 3. AC Test Loads and Waveforms [3]



**Note**

3. AC characteristics (except High-Z) for 10-ns parts are tested using the load conditions shown in Figure (a). All other speeds are tested using the Thevenin load shown in Figure (b). High-Z characteristics are tested for all speeds using the test load shown in Figure (d).

## Switching Characteristics

Over the Operating Range <sup>[4]</sup>

Parameter	Description	-10		-12		-15		-20		Unit	
		Min	Max	Min	Max	Min	Max	Min	Max		
<b>Read Cycle</b>											
$t_{power}^{[5]}$	$V_{CC}$ (Typical) to the First Access		100		100		100		100		$\mu s$
$t_{RC}$	Read Cycle Time		10		12		15		20		ns
$t_{AA}$	Address to Data Valid			10		12		15		20	ns
$t_{OHA}$	Data Hold from Address Change		3		3		3		3		ns
$t_{ACE}$	$\overline{CE}$ LOW to Data Valid			10		12		15		20	ns
$t_{DOE}$	$\overline{OE}$ LOW to Data Valid	Comm'l/Ind'l/Auto-A		5		6		7		8	ns
		Auto-E				7				8	
$t_{LZOE}$	$\overline{OE}$ LOW to Low Z <sup>[6]</sup>		0		0		0		0		ns
$t_{HZOE}$	$\overline{OE}$ HIGH to High Z <sup>[6, 7]</sup>			5		6		7		8	ns
$t_{LZCE}$	$\overline{CE}$ LOW to Low Z <sup>[6]</sup>		3		3		3		3		ns
$t_{HZCE}$	$\overline{CE}$ HIGH to High Z <sup>[6, 7]</sup>			5		6		7		8	ns
$t_{PU}$	$\overline{CE}$ LOW to Power Up		0		0		0		0		ns
$t_{PD}$	$\overline{CE}$ HIGH to Power Down			10		12		15		20	ns
$t_{DBE}$	Byte Enable to Data Valid	Comm'l/Ind'l/Auto-A		5		6		7		8	ns
		Auto-E				7				8	
$t_{LZBE}$	Byte Enable to Low Z		0		0		0		0		ns
$t_{HZBE}$	Byte Disable to High Z			6		6		7		8	ns
<b>Write Cycle<sup>[8, 9]</sup></b>											
$t_{WC}$	Write Cycle Time		10		12		15		20		ns
$t_{SCE}$	$\overline{CE}$ LOW to Write End		7		8		10		10		ns
$t_{AW}$	Address Setup to Write End		7		8		10		10		ns
$t_{HA}$	Address Hold from Write End		0		0		0		0		ns
$t_{SA}$	Address Setup to Write Start		0		0		0		0		ns
$t_{PWE}$	$\overline{WE}$ Pulse Width		7		8		10		10		ns
$t_{SD}$	Data Setup to Write End		5		6		7		8		ns
$t_{HD}$	Data Hold from Write End		0		0		0		0		ns
$t_{LZWE}$	$\overline{WE}$ HIGH to Low Z <sup>[6]</sup>		3		3		3		3		ns
$t_{HZWE}$	$\overline{WE}$ LOW to High Z <sup>[6, 7]</sup>			5		6		7		8	ns
$t_{BW}$	Byte Enable to End of Write		7		8		10		10		ns

### Notes

- Test conditions assume signal transition time of 3 ns or less, timing reference levels of 1.5V, and input pulse levels of 0 to 3.0V.
- $t_{POWER}$  gives the minimum amount of time that the power supply is at typical  $V_{CC}$  values until the first memory access is performed.
- At any temperature and voltage condition,  $t_{HZCE}$  is less than  $t_{LZCE}$ ,  $t_{HZBE}$  is less than  $t_{LZBE}$ ,  $t_{HZOE}$  is less than  $t_{LZOE}$ , and  $t_{HZWE}$  is less than  $t_{LZWE}$  for any device.
- $t_{HZOE}$ ,  $t_{HZCE}$ ,  $t_{HZBE}$ , and  $t_{HZWE}$  are specified with a load capacitance of 5 pF as in part (d) of [AC Test Loads and Waveforms](#) on page 5. Transition is measured  $\pm 500$  mV from steady state voltage.
- The internal write time of the memory is defined by the overlap of  $\overline{CE}$  LOW,  $\overline{WE}$  LOW, and  $\overline{BHE}/\overline{BLE}$  LOW.  $\overline{CE}$ ,  $\overline{WE}$ , and  $\overline{BHE}/\overline{BLE}$  must be LOW to initiate a write. The transition of these signals terminate the write. The input data setup and hold timing is referenced to the leading edge of the signal that terminates the write.
- The minimum Write cycle time for Write Cycle No. 3 (WE controlled, OE LOW) is the sum of  $t_{HZWE}$  and  $t_{SD}$ .

## Switching Waveforms

Figure 4. Read Cycle No. 1 (Address Transition Controlled)<sup>[10, 11]</sup>

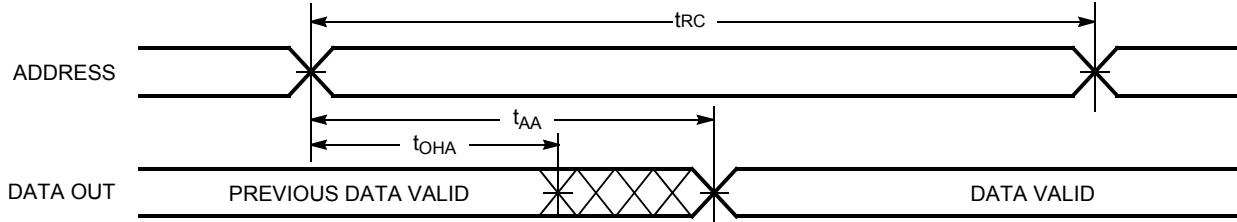
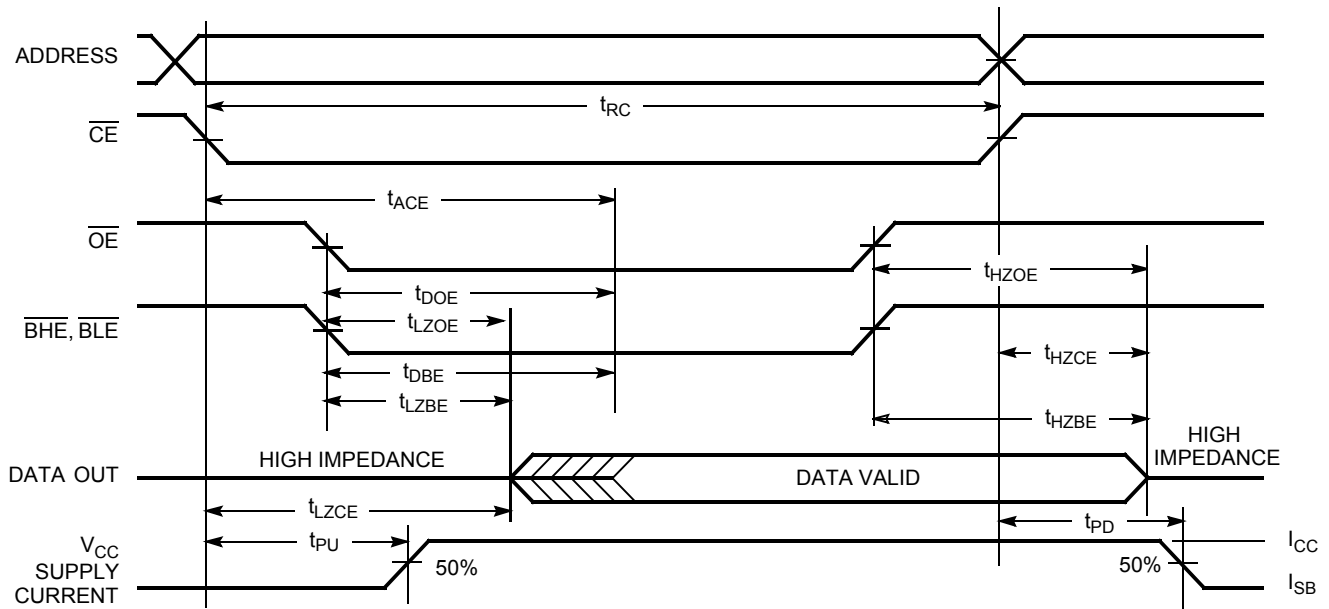


Figure 5. Read Cycle No. 2 ( $\overline{OE}$  Controlled)<sup>[11, 12]</sup>



**Notes**

- 10. Device is continuously selected.  $\overline{OE}$ ,  $\overline{CE}$ ,  $\overline{BHE}$ , and/or  $\overline{BLE}$  =  $V_{IL}$ .
- 11. WE is HIGH for read cycle.
- 12. Address valid prior to or coincident with  $\overline{CE}$  transition LOW.

Switching Waveforms (continued)

Figure 6. Write Cycle No. 1 ( $\overline{\text{CE}}$  Controlled)<sup>[13, 14]</sup>

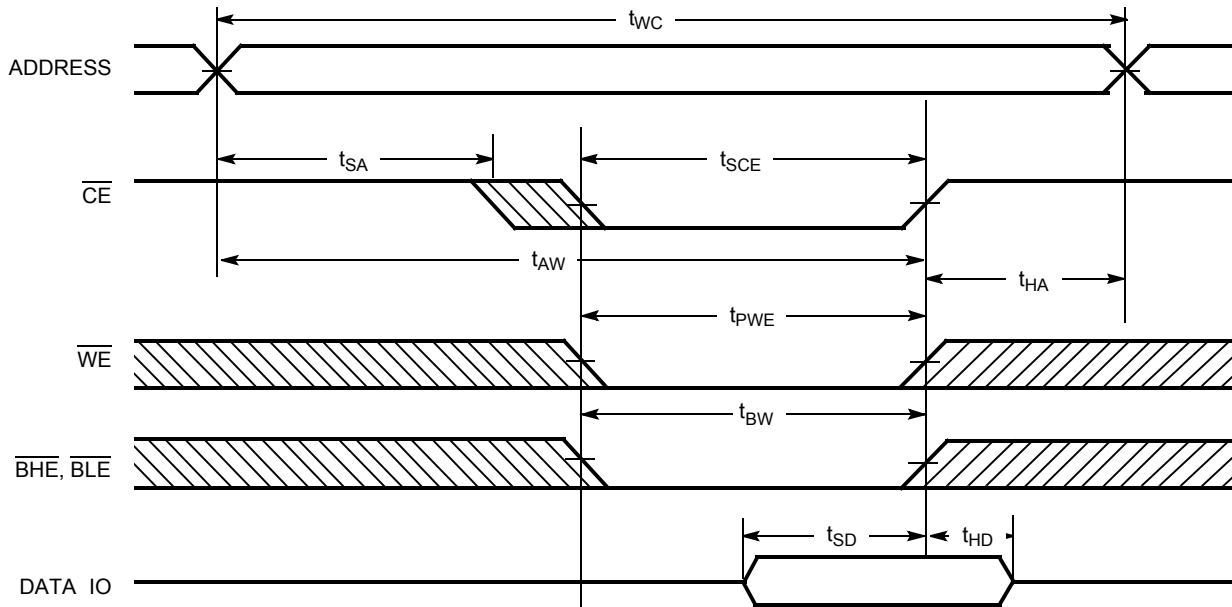
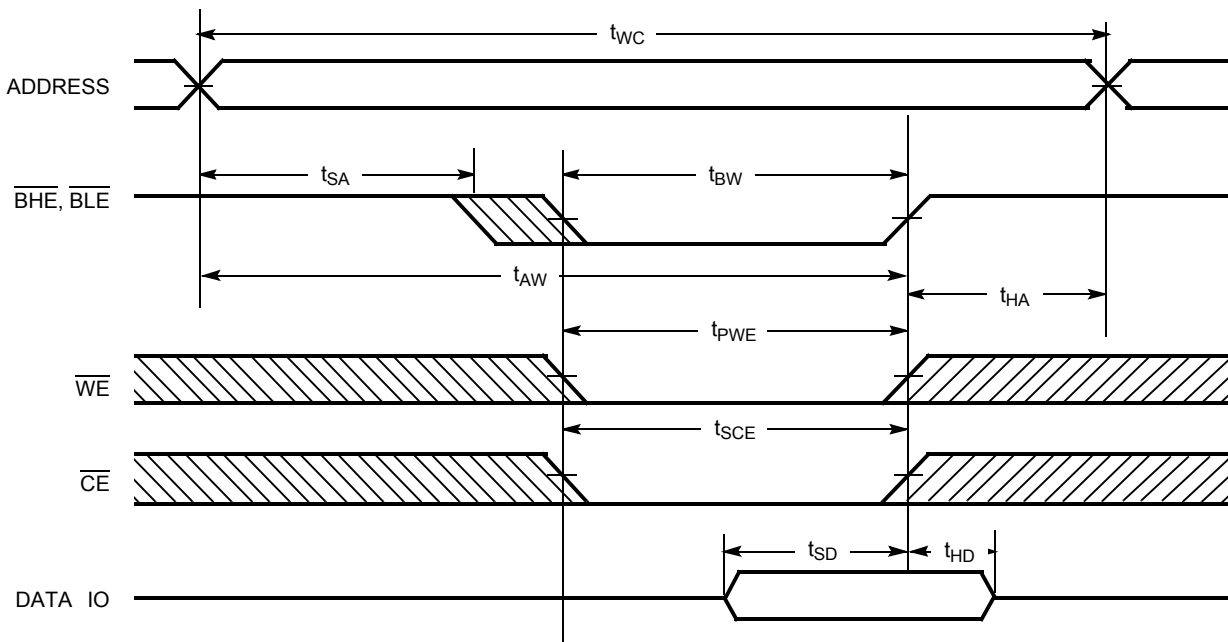


Figure 7. Write Cycle No. 2 ( $\overline{\text{BLE}}$  or  $\overline{\text{BHE}}$  Controlled)



Notes

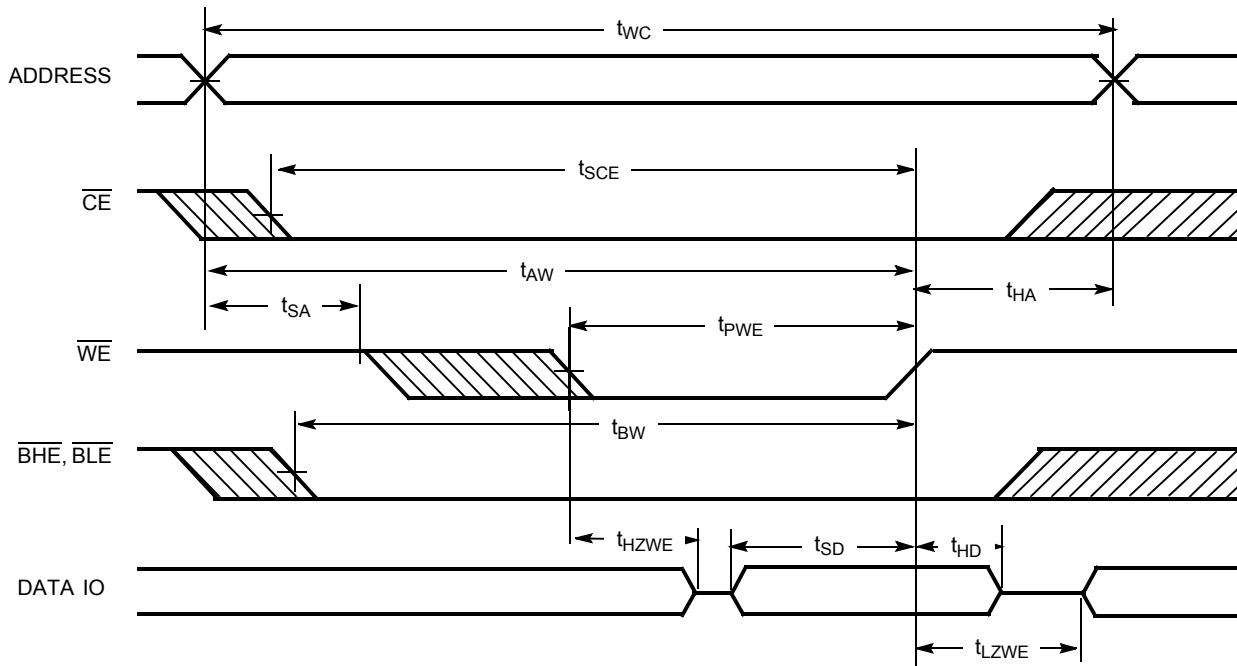
13. Data IO is high impedance if  $\overline{\text{OE}}$ ,  $\overline{\text{BHE}}$ , and/or  $\overline{\text{BLE}} = V_{IH}$ .

14. If  $\overline{\text{CE}}$  goes HIGH simultaneously with  $\overline{\text{WE}}$  going HIGH, the output remains in a high impedance state.



Switching Waveforms (continued)

Figure 8. Write Cycle No. 3 ( $\overline{WE}$  Controlled,  $\overline{OE}$  LOW)



Truth Table

$\overline{CE}$	$\overline{OE}$	$\overline{WE}$	$\overline{BLE}$	$\overline{BHE}$	$IO_0 - IO_7$	$IO_8 - IO_{15}$	Mode	Power
H	X	X	X	X	High Z	High Z	Power Down	Standby ( $I_{SB}$ )
L	L	H	L	L	Data Out	Data Out	Read – All Bits	Active ( $I_{CC}$ )
			L	H	Data Out	High Z	Read – Lower Bits Only	Active ( $I_{CC}$ )
			H	L	High Z	Data Out	Read – Upper Bits Only	Active ( $I_{CC}$ )
L	X	L	L	L	Data In	Data In	Write – All Bits	Active ( $I_{CC}$ )
			L	H	Data In	High Z	Write – Lower Bits Only	Active ( $I_{CC}$ )
			H	L	High Z	Data In	Write – Upper Bits Only	Active ( $I_{CC}$ )
L	H	H	X	X	High Z	High Z	Selected, Outputs Disabled	Active ( $I_{CC}$ )
L	X	X	H	H	High Z	High Z	Selected, Outputs Disabled	Active ( $I_{CC}$ )

## Ordering Information

Cypress offers other versions of this type of product in many different configurations and features. The below table contains only the list of parts that are currently available. For a complete listing of all options, visit the Cypress website at [www.cypress.com](http://www.cypress.com) and refer to the product summary page at <http://www.cypress.com/products> or contact your local sales representative.

Cypress maintains a worldwide network of offices, solution centers, manufacturer's representatives and distributors. To find the office closest to you, visit us at <http://www.cypress.com/go/datasheet/offices>.

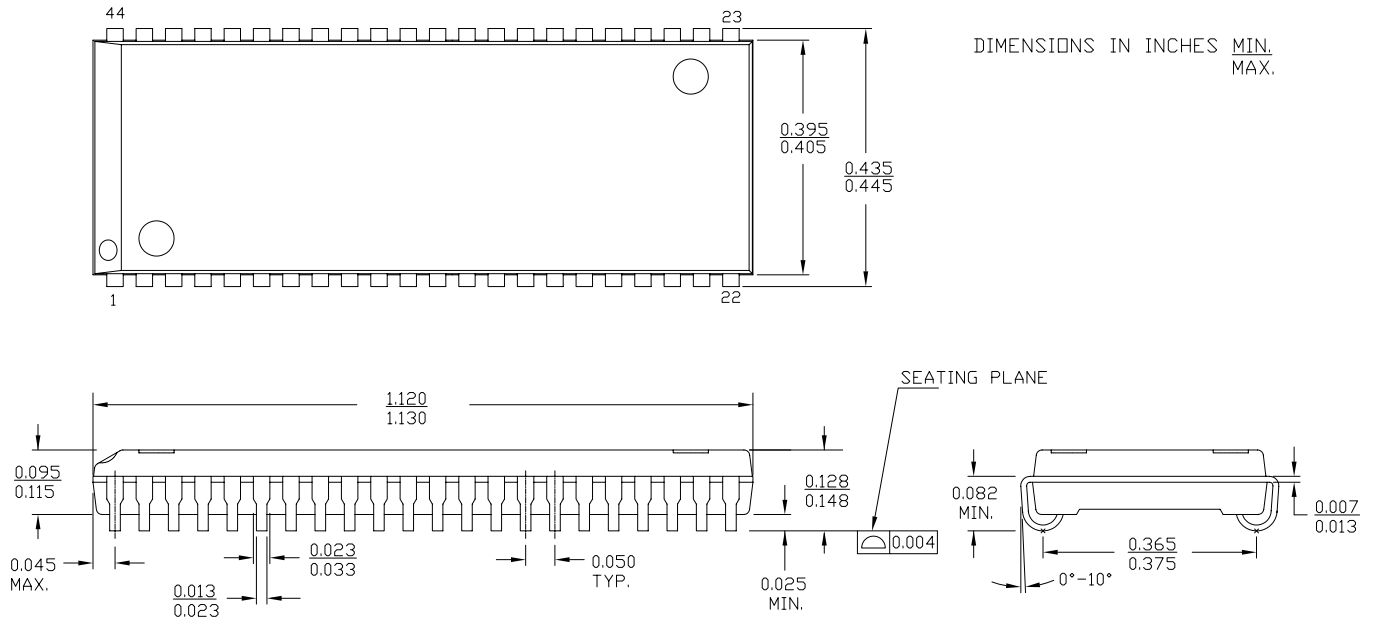
Speed (ns)	Ordering Code	Package Diagram	Package Type	Operating Range
10	CY7C1041CV33-10VXC	51-85082	44-pin (400-mil) Molded SOJ (Pb-Free)	Commercial
	CY7C1041CV33-10ZXC	51-85087	44-pin TSOP II (Pb-Free)	
	CY7C1041CV33-10ZXI		44-pin TSOP II (Pb-Free)	
	CY7C1041CV33-10BAXA	51-85106	48-ball Fine Pitch BGA (Pb-Free)	Automotive-A
	CY7C1041CV33-10ZSXA	51-85087	44-pin TSOP II (Pb-Free)	
12	CY7C1041CV33-12BAXE	51-85106	48-ball Fine Pitch BGA (Pb-Free)	Automotive-E
	CY7C1041CV33-12ZSXE	51-85087	44-pin TSOP II (Pb-Free)	
20	CY7C1041CV33-20ZSXA	51-85087	44-pin TSOP II (Pb-Free)	Automotive-A
	CY7C1041CV33-20VXE		44-pin (400-mil) Molded SOJ (Pb-Free)	Automotive-E
	CY7C1041CV33-20ZSXE		44-pin TSOP II (Pb-Free)	

Please contact your local Cypress sales representative for availability of these parts

Package Diagrams

Figure 9. 44-Pin (400 Mil) Molded SOJ, 51-85082

44 Lead (400 MIL) MOLDED SOJ

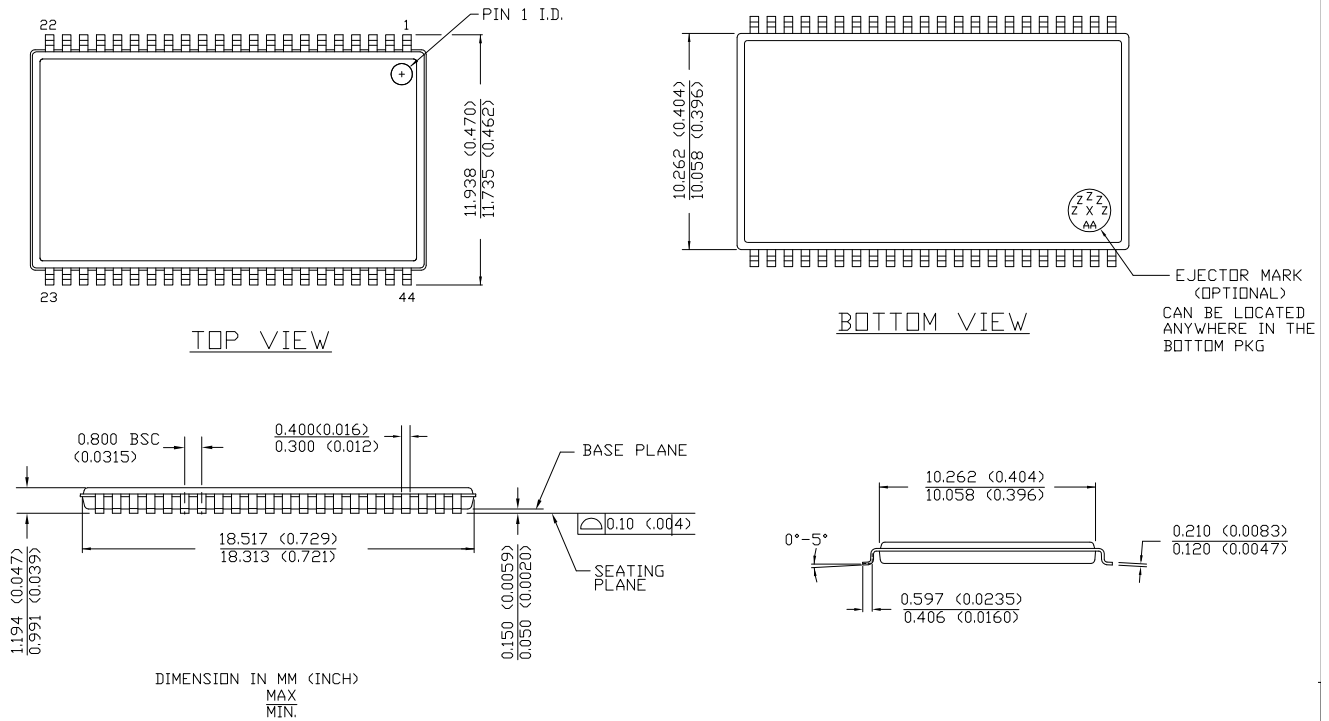


51-85082 \*C

Package Diagrams (continued)

Figure 10. 44-Pin Thin Small Outline Package Type II, 51-85087

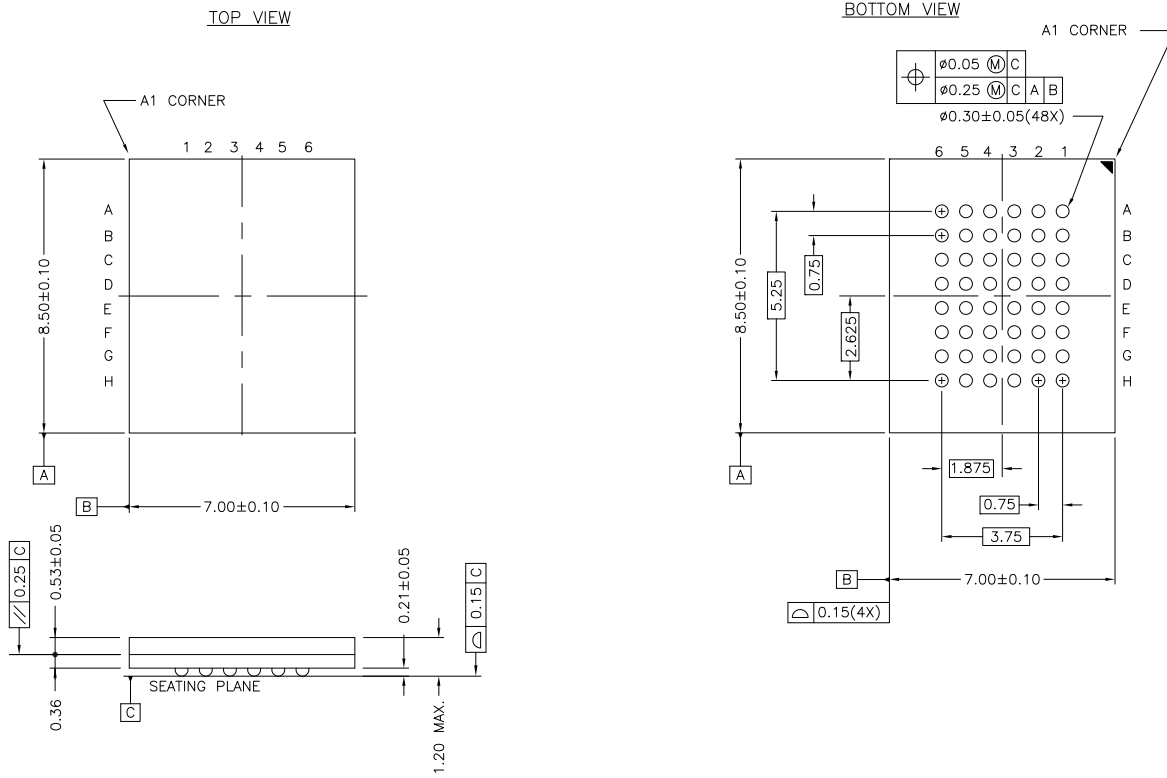
44 Lead TSOP TYPE II – STANDARD



51-85087 \*C

Package Diagrams (continued)

Figure 11. 48-Ball FBGA (7 x 8.5 x 1.2 mm), 51-85106



51-85106 \*F

Document History Page

Document Title: CY7C1041CV33, 4-Mbit (256K x 16) Static RAM				
Document Number: 38-05134				
REV.	ECN NO.	Issue Date	Orig. of Change	Description of Change
**	109513	12/13/01	HGK	New Data Sheet
*A	112440	12/20/01	BSS	Updated 51-85106 from revision *A to *C
*B	112859	03/25/02	DFP	Added CY7C1042CV33 in BGA package Removed 1042 BGA option pin ACC Final Data Sheet
*C	116477	09/16/02	CEA	Add applications foot note to data sheet
*D	119797	10/21/02	DFP	Added 20-ns speed bin
*E	262949	See ECN	RKF	1) Added Lead (Pb)-Free parts in the Ordering info (Page #9) 2) Added Automotive Specs to Datasheet
*F	361795	See ECN	SYT	Added Pb-Free offerings in the Ordering Information
*G	435387	See ECN	NXR	Removed -8 Speed bin from Product offering. Corrected typo in description for BHE/BLE in pin definitions table on Page# 3 corrected their Pin name from OE2 to OE. Included the Maximum Ratings for Static Discharge Voltage and Latch up Current. Changed the description of I <sub>IX</sub> current from Input Load Current to Input Leakage Current Added note# 4 on page# 4 Updated the Ordering Information table
*H	499153	See ECN	NXR	Added Automotive-A Operating Range Changed t <sub>power</sub> value from 1 μs to 100 μs Updated Ordering Information table
*I	2104110	See ECN	VKN/AESA	Added Automotive-E specs for 12 ns speed Updated Ordering Information table
*J	2897141	03/22/10	AJU/VIVG	Removed inactive parts. Updated package diagrams.

© Cypress Semiconductor Corporation, 2001-2010. The information contained herein is subject to change without notice. Cypress Semiconductor Corporation assumes no responsibility for the use of any circuitry other than circuitry embodied in a Cypress product. Nor does it convey or imply any license under patent or other rights. Cypress products are not warranted nor intended to be used for medical, life support, life saving, critical control or safety applications, unless pursuant to an express written agreement with Cypress. Furthermore, Cypress does not authorize its products for use as critical components in life-support systems where a malfunction or failure may reasonably be expected to result in significant injury to the user. The inclusion of Cypress products in life-support systems application implies that the manufacturer assumes all risk of such use and in doing so indemnifies Cypress against all charges.

Any Source Code (software and/or firmware) is owned by Cypress Semiconductor Corporation (Cypress) and is protected by and subject to worldwide patent protection (United States and foreign), United States copyright laws and international treaty provisions. Cypress hereby grants to licensee a personal, non-exclusive, non-transferable license to copy, use, modify, create derivative works of, and compile the Cypress Source Code and derivative works for the sole purpose of creating custom software and/or firmware in support of licensee product to be used only in conjunction with a Cypress integrated circuit as specified in the applicable agreement. Any reproduction, modification, translation, compilation, or representation of this Source Code except as specified above is prohibited without the express written permission of Cypress.

Disclaimer: CYPRESS MAKES NO WARRANTY OF ANY KIND, EXPRESS OR IMPLIED, WITH REGARD TO THIS MATERIAL, INCLUDING, BUT NOT LIMITED TO, THE IMPLIED WARRANTIES OF MERCHANTABILITY AND FITNESS FOR A PARTICULAR PURPOSE. Cypress reserves the right to make changes without further notice to the materials described herein. Cypress does not assume any liability arising out of the application or use of any product or circuit described herein. Cypress does not authorize its products for use as critical components in life-support systems where a malfunction or failure may reasonably be expected to result in significant injury to the user. The inclusion of Cypress' product in a life-support systems application implies that the manufacturer assumes all risk of such use and in doing so indemnifies Cypress against all charges.

Use may be limited by and subject to the applicable Cypress software license agreement.