



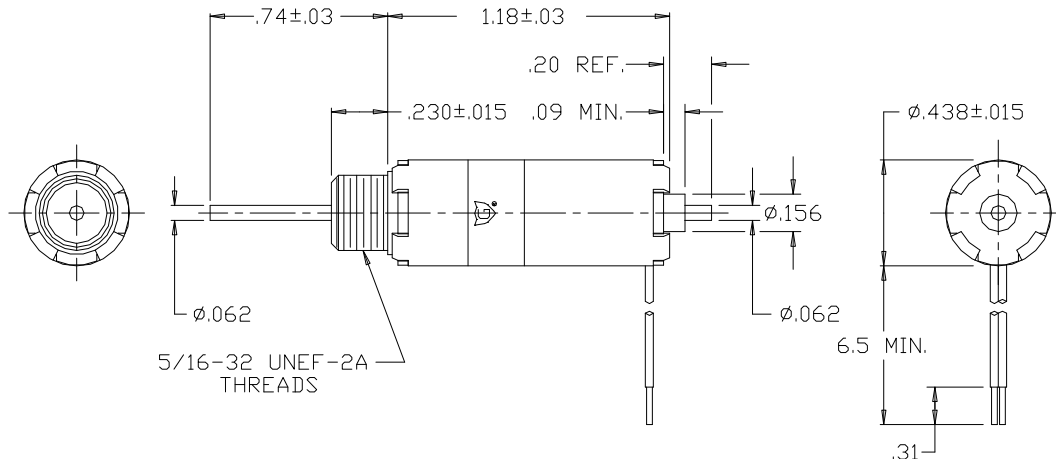
GUARDIAN Electric Manufacturing

ISO 9001 / AS9100 Certified Company

Woodstock, IL 60098 Ph. (815)334-3600 Fax (815)337-0377

Or visit us at our website www.guardian-electric.com

Model TP3.5 x 9 Push-Type DC Tubular Solenoid



Solenoid shown energized and fully seated.

Supplied with mounting bracket, hex nut and lockwasher (not shown).

Spring kits are available (consult factory).

Total Weight: .61 oz.

Plunger Weight: .1 oz.


Model No.	Part No.	Duty Cycle	Voltage	Resistance (Ω)	Power (W)	Current (mA)
TP3.5x9-I-12	A420-063496-02	Intermittent	12VDC	31.1	4.9	386
TP3.5x9-C-12	A420-063496-05	Continuous	12VDC	60.2	2.5	199
TP3.5x9-I-24	A420-063496-04	Intermittent	24VDC	122	5	197
TP3.5x9-C-24	A420-063496-06	Continuous	24VDC	254	2.4	94

When ordering, please refer to Part No., as listed above.

Consult factory for custom configurations.

Stroke (in.)	Push Force (oz.)								Holding Force (oz.)
	0.050	0.125	0.250	0.375	0.500	0.625	0.750	1.000	-
Continuous Duty	2	0.8	0.4	N/A	N/A	N/A	N/A	N/A	15
Intermittent Duty	4	1.5	0.8	N/A	N/A	N/A	N/A	N/A	17

UL Recognition

Recognized under the  Component Recognition Program of **Underwriters Laboratories, Inc.**

Continuous Duty

100% 'On' Time

Intermittent Duty

25% 'On' Time, (100 Seconds 'On' Max. Followed By 300 Seconds 'Off' Min.)

RoHS

These parts comply with **RoHS** Directive 2002/95/EC