

SAC-3P-M12MS/1,5-PUR/A-1L-S VW

Order No.: 1694004

The illustration shows the standard article with a black conductor



<http://eshop.phoenixcontact.de/phoenix/treeViewClick.do?UID=1694004>

Actuator cable, 3-pos, PUR irradiated, halogen-free, straight M12 plug on valve plug, A, length: 1.5 m

Commercial data

EAN	4017918481667
Pack	5 pcs.
Customs tariff	85444290
Weight/Piece	0.1139 KG

Product notes

WEEE/RoHS-compliant since:
05/20/2008



<http://www.download.phoenixcontact.com>
Please note that the data given here has been taken from the online catalog. For comprehensive information and data, please refer to the user documentation. The General Terms and Conditions of Use apply to Internet downloads.

Technical data

General data

Nominal current I_N	4 A
Nominal voltage U_N	24 V AC/DC
Number of positions	3
Length of cable	1.5 m

Ambient temperature (operation)	-25 °C ... 90 °C (plug/socket)
	-30 °C ... 80 °C (cable, fixed installation)
	-5 °C ... 70 °C (cable, flexible installation)

General characteristics

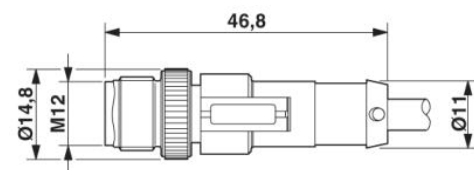
Coding	A - standard
Contact material	CuSn
Contact surface material	Ni/Au
Contact carrier material	TPU GF
Material of grip body	TPU, hardly inflammable, self-extinguishing
Contact material	CuSn
Contact surface material	Ag
Valve plug contact insert material	PBT
Material, housing, valve plug	PBT
Sealing material	TPU (Flat gasket valve plug)
Status display	1 LED

Conductor data

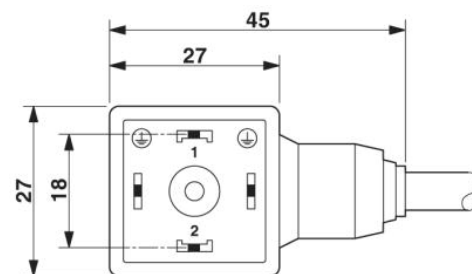
Cable type	PUR irradiated halogen-free orange
Conductor cross section	0.5 mm ²
AWG signal line	20
External cable diameter	5.70 mm
Wire colors	Color-coded DIN 47100

Drawings

Dimensioned drawing

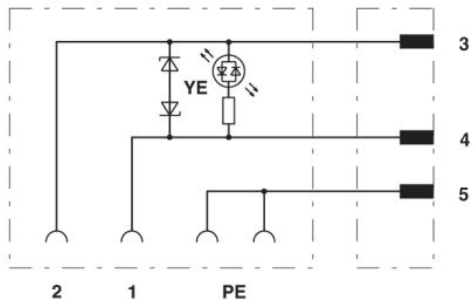


M12 x 1 male connector, straight



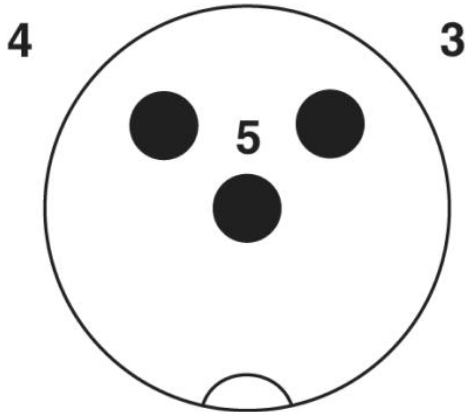
Valve plug, type A

Circuit diagram

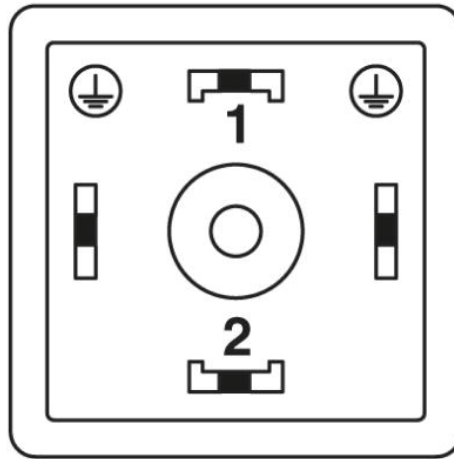


Contact assignment

Schematic diagram



Pin assignment M12 plug, 3-pos., A-coded, view male side



Pin assignment, valve plug

Address

PHOENIX CONTACT GmbH & Co. KG
Flachsmarktstr. 8
32825 Blomberg, Germany
Phone +49 5235 3 00
Fax +49 5235 3 41200
<http://www.phoenixcontact.de>



© 2009 Phoenix Contact
Technical modifications reserved;