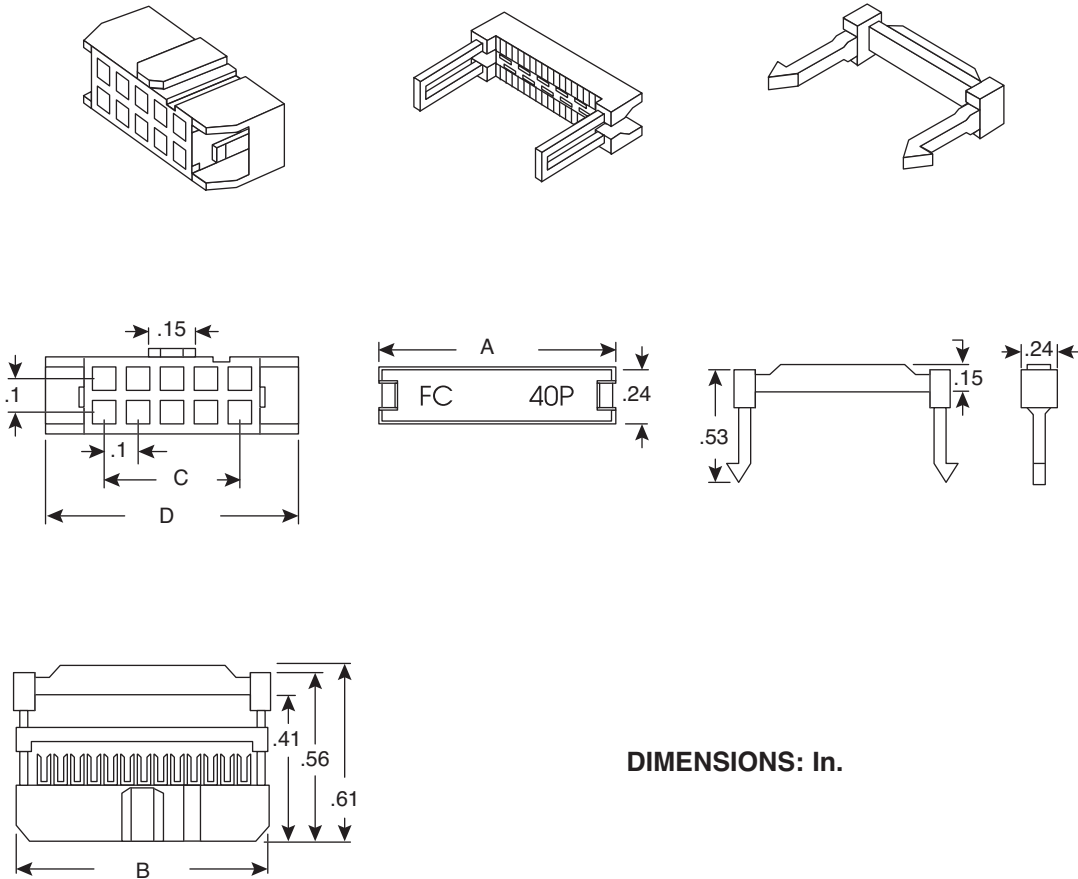


IDC Connectors

164-9000 Series



IDC Connectors



DIMENSIONS: In.

MECHANICAL SPECIFICATIONS

Type:	socket connector with strain relief
Contacts:	phosphor bronze
Contact finish:	gold plated nickel
Insulator:	PBT & glass fiber reinforced
Recommended Ribbon Cable:	.05 (1.27mm), 28 AWG stranded or solid

ELECTRICAL SPECIFICATIONS

Current rating:	5 Amp
Contact resistance:	30mΩ max.
Insulation resistance:	1,000MΩ @ 1000 VAC
Dielectric breakdown:	1,000 VAC min. RMS
Operation temperature:	-55°C to +105°C

Mouser Stock No.	No. of Contacts	Dimensions (In.)			
		A±0.1	B±0.1	C±0.1	D±0.1
164-9006	10	0.45	0.68	0.4	0.27
164-9007	14	0.65	0.88	0.6	0.37
164-9008	16	0.75	1.02	0.7	0.42
164-9001	20	0.95	0.98	0.9	0.52
164-9010	24	1.15	1.38	1.10	0.62
164-9002	26	1.25	1.48	1.2	0.67
164-9003	34	1.65	1.88	1.6	0.87
164-9004	40	1.95	1.95	2.18	1.02
164-9005	50	2.47	2.68	2.39	1.27
164-9009	60	2.95	3.17	2.9	1.52
164-9011	64	3.15	3.38	3.1	1.62

Date Last Revised: 8-4-06

Available from Mouser Electronics
1-800-346-6873
www.mouser.com

KC-300154

164-9000 Series