

4

3

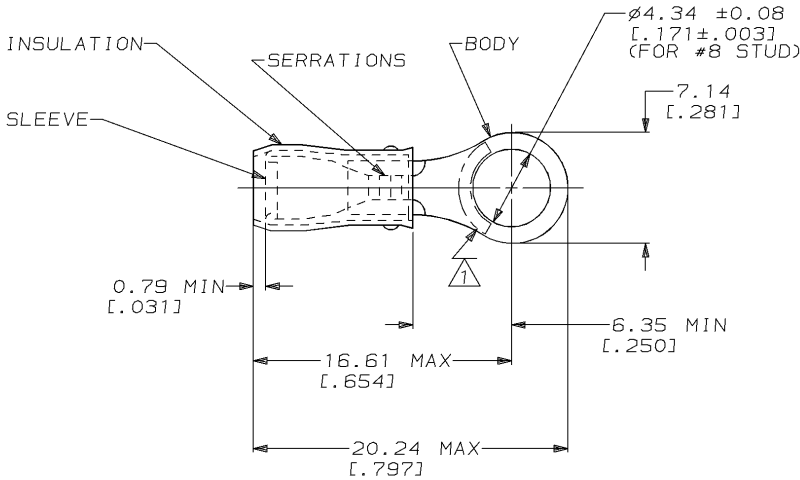
2

1

THIS DRAWING IS UNPUBLISHED. RELEASED FOR PUBLICATION
 © COPYRIGHT 19 BY AMP INCORPORATED. ALL RIGHTS RESERVED.

LOC	DIST	REVISIONS			
P	LTR	DESCRIPTION	DATE	DWN	APVD
G	14	REV & REDRAW / 0720-0578-95	26APR95	MLE	NB

AMP WIRE RANGE	E13288	LR7189 Certified
22-16 AWG SOLID OR STRANDED	22-16 AWG SOLID OR STRANDED	22-16 AWG SOLID OR STRANDED



1. STAMP AMP 22-18* APPROX AS SHOWN
 22-16 TERMINALS ARE STAMPED 22-18 IN
 ACCORDANCE WITH MILITARY SPEC MIL-T-7928
 COMMERCIAL WIRE RANGE IS 22-16

- 2. WIRE INSUL DIA, 2.03-3.18 [.080-.125]
- 3. TONGUE MATERIAL THK, 0.79±0.05
 [.031±.002]

QTY	PACKAGE TYPE	PART NO
100	LOOSE PIECE, BOX	8-320554-1
5000	ON TAPE, REEL	2-320554-1
1000	LOOSE PIECE	320554

AMP INCORPORATED CUSTOMER SERVICE SYSTEM		MAX RECOMMENDED OPERATING TEMPERATURE: 105°C [221°F]	THIS DRAWING IS A CONTROLLED DOCUMENT FOR AMP INCORPORATED. IT IS SUBJECT TO CHANGE AND THE CONTROLLING ENGINEERING ORGANIZATION SHOULD BE CONTACTED FOR THE LATEST REVISION.		DWN M ELLIS 26APR95	AMP AMP Incorporated Harrisburg, PA 17105-3608
FOR ADDITIONAL PRODUCT INFORMATION OR COPIES OF DRAWINGS AND TECHNICAL DOCUMENTS	PRODUCT INFORMATION CENTER 1-800-522-6752	VOLTAGE RATING: 300 V MAX	DIMENSIONS: mm [in]	TOLERANCES UNLESS OTHERWISE SPECIFIED: 0 PLC ±- 1 PLC ±- 2 PLC ±0.20 [.008] 3 PLC ±- 4 PLC ±- ANGLES ±-	CHK C PRESNELL 26APR95	
FOR APPLICATION TOOLING INFORMATION	TOOLING ASSISTANCE CENTER 1-800-722-1111	CIRCULAR MIL AREA: 0.26mm² - 1.65mm² [S09-3260]		FINISH BODY & SLV, TIN PLATE PER MIL-T-10727	APVD N BIRCH	PRODUCT SPEC UL 486A
FOR ORDER ENTRY	1-800-526-5142		MATERIAL BODY, SLV, COPPER PER ASTM B 152 INSUL, NYLON, COLOR, RED	WEIGHT -	APPLICATION SPEC -	SIZE A3
AMP 1470-19 REV 09MAY94					DRAWING NO C-320554	
AMP 1470-19 REV 09MAY94					CAGE CODE 00779	
AMP 1470-19 REV 09MAY94					DRAWING NO C-320554	
AMP 1470-19 REV 09MAY94					SCALE 4:1	
AMP 1470-19 REV 09MAY94					SHEET 1 OF 1	
AMP 1470-19 REV 09MAY94					REV 6	