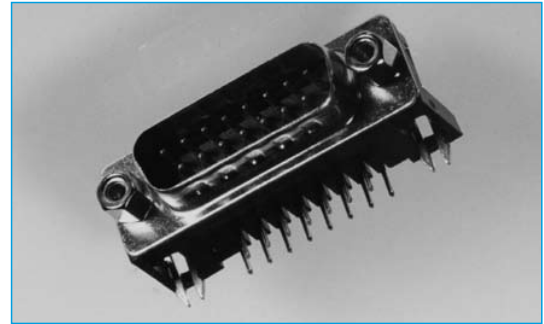


D TYPE CONNECTORS LOW COST

PCB SOLDER PIN RIGHT ANGLE - EUROPEAN FOOTPRINT

- 9, 15, 25, 37 way
- Stamped & Formed Contacts
- Gold Plated Contacts
- Tin Plated Metal Housing
- Current Rating - 5Amps
- Low cost
- Complete with Board and Screw Locks



SPECIFICATION

Material:

Insulator: PBT +30% Glass Fibre
UL94V-0

Pin contacts: Phosphor Bronze
Gold Plated

Shell: Steel, SPCC
Nickel and Tin Plated

Electrical Data:

Rated Voltage: 350V AC

Rated Current: 5A

Withstand Voltage: 500V AC(rms)

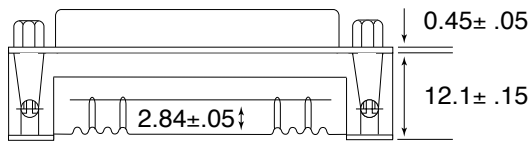
Insulation Resistance: Over 1000 MΩ

Contact Resistance: 5 MΩ at 1A

Temperature: -20°C to 100°C

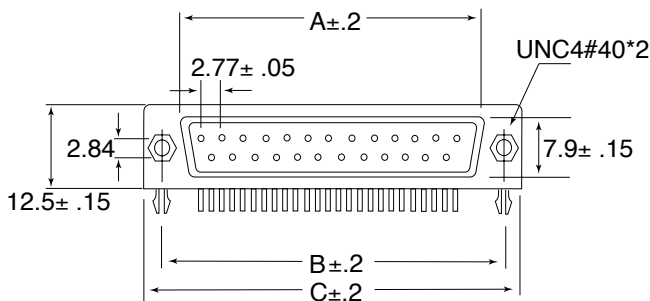
SECTION 11

OUTLINE DRAWING



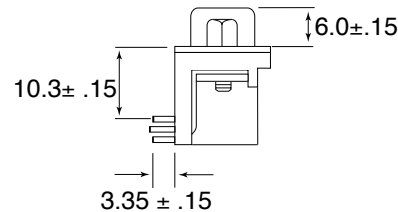
	A	B	C
9 WAY	16.92	25.00	30.80
15 WAY	25.25	33.3	39.20
25 WAY	38.96	47.10	53.10
37 WAY	55.42	63.50	69.40

Dimension - mm (Male)



	A	B	C
9 WAY	16.30	25.00	30.80
15 WAY	24.60	33.30	39.20
25 WAY	38.30	47.10	53.10
37 WAY	54.80	63.50	69.40

Dimension - mm (Female)



ORDERING INFORMATION

DBC	SD	M	SR2	09	G	XX
Dubilier Connectors	Series	Contact Type	Contact Style	N° of Ways	Contact plating	Options
	SD = Stamped & Formed Pin D	M = Male(plug) F = Female(socket)	SR2 = Solder Right Angled PCB (10.3mm) European Footprint	09 = 9 ways 15 = 15 ways 25 = 25 ways 37 = 37 ways	G = Gold Plated	Blank = Board+Screw Locks A= Board Locks only