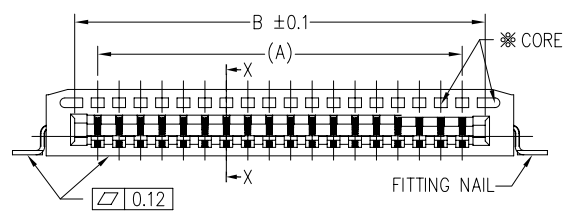
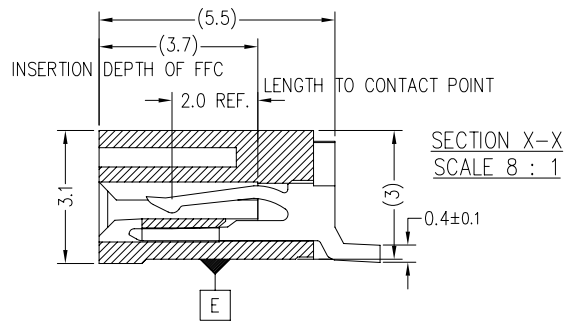
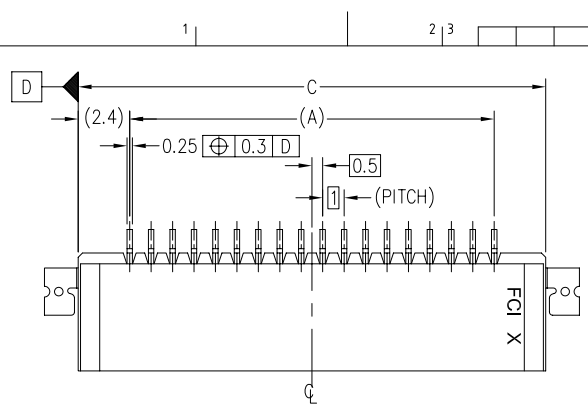


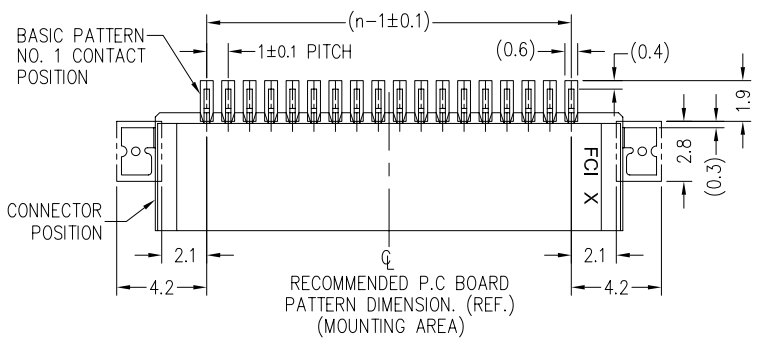


Copyright FCI

form: A4



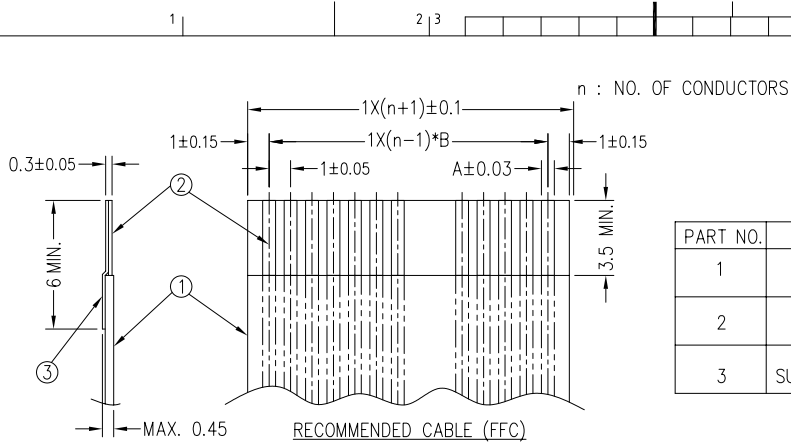
(FLATNESS OF CONTACT TERMINAL AND MOUNTING PLATE)  
 MISALIGNMENT OF SOLDER TAIL AND FITTING NAIL FROM DATUM E : UPPER DIRECTION .10 MAX. , LOWER DIRECTION 0.15 MAX.  
 ※ <<ALTERNATE CORE AND RIB CONSTRUCTION, NON-FUNCTION, AND OR FOR PLASTIC MOLDING PROCESS PURPOSE>>



RECOMMENDED SOLDER PASTE THICK 0.15mm [.006"] MIN.

mat'l. code		tolerances unless otherwise specified		projection	product family						
ltr	ecn no	dr	date	 mm scale 4:1	FFC/FPC						
A	S09-0060	DGOH	090331		title						
B	S10-0107	DGOH	100513	angles	1mm SPACING SMT FFC/FPC CONNECTOR						
		X±2'		linear	dwg no						
		dr DENNIS GOH 081222		linear	sheet 1 of 6						
		enrg DENNIS GOH 100513		linear	size						
		chr DENNIS GOH 100513		linear	10094688						
		appd JOEY NG 100513		linear	A4						
sheet index	revision sheet	B 1	B 2	B 3	B 4	B 5	B 6	type	Product	Customer	Drawing

PDM: Rev:B STATUS:Released Printed: Jun 01, 2010



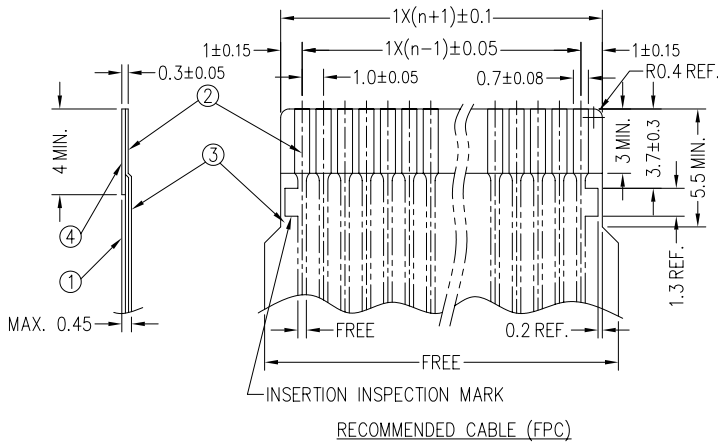
(NOTE C)	DIMENSION A	TOLERANCE B
1	0.7	0.1
2	0.6	0.07

RECOMMENDED CABLE (FFC)

PART NO.	DESCRIPTION	MATERIAL	NOTE
1	INSULATOR	FLAME RESISTING POLYESTER OR EQUIVALENT	-----
2	CONDUCTOR	COPPER FOIL	PLATING: TIN OR SOLDER 1um MIN.
3	SUPPORTING TAPE	FLAME RESISTING POLYESTER OR EQUIVALENT	-----

NOTES:

- A.) NO BURR AT EACH PORION.
- B.) NO PEELING IN COMMON USE.
- C.) BOTH COMBINATION IS ALLOWED.



RECOMMENDED CABLE (FPC)

PART NO.	DESCRIPTION	MATERIAL	THICKNESS (um)
1	BASE FILM	POLYIMIDE OR POLYESTER OR EQUIVALENT	25
2	CONDUCTOR	COPPER FOIL (PLATING: SOLDER 1um MIN.)	35
3	OVERLAY	POLYIMIDE OR POLYESTER OR EQUIVALENT	-----
4	SUPPORTING TAPE	POLYIMIDE OR POLYESTER OR EQUIVALENT	188

mat'l. code		tolerances unless otherwise specified		projection	product family
ltr	ecn no	dr	date		FFC/FPC
B					title
				angles	1mm SPACING SMT
				Linear	FPC/FFC CONNECTOR
				X°±2'	dwg no
				dr DENNIS GOH 081222	sheet 2 of 6
				enr DENNIS GOH 100513	size
				chr DENNIS GOH 100513	A4
				appd JOEY NG 100513	10094688
sheet index		revision sheet		type	Product Customer Drawing

PDM: Rev:B

STATUS: Released

Printed: Jun 01, 2010

PART NO.	PARTS NAME	MATERIAL	Q'TY	NOTE
1	HOUSING	HIGH TEMPERATURE THERMOPLASTIC REINFORCED (UL94V-0)	1	COLOR: BLACK
2	CONTACT	PHOSPHOR BRONZE	n	PLATING (LEAD FREE)
3	SMT CLIP	BRASS	2	

CATALOG NUMBER HFW (n) R -2 ST E1 MT LF

SERIES

NO. OF CONTACTS

RIGHT ANGLE TYPE

FOR FFC/FPC, CONTACT DIRECTION, (UPPER CONTACT TYPE)

FOR AUTOMATIC MOUNTING -- (SMT)

TAPE & REEL PACKAGING

MODIFY VERSION

LEAD FREE

30	HFW30R-2STE1MTLF	29	31.14	33.8
29	HFW29R-2STE1MTLF	28	30.14	32.8
28	HFW28R-2STE1MTLF	27	29.14	31.8
27	HFW27R-2STE1MTLF	26	28.14	30.8
26	HFW26R-2STE1MTLF	25	27.14	29.8
25	HFW25R-2STE1MTLF	24	26.14	28.8
24	HFW24R-2STE1MTLF	23	25.14	27.8
23	HFW23R-2STE1MTLF	22	24.13	26.8
22	HFW22R-2STE1MTLF	21	23.14	25.8
21	HFW21R-2STE1MTLF	20	22.14	24.8
20	HFW20R-2STE1MTLF	19	21.14	23.8
19	HFW19R-2STE1MTLF	18	20.14	22.8
18	HFW18R-2STE1MTLF	17	19.14	21.8
17	HFW17R-2STE1MTLF	16	18.14	20.8
16	HFW16R-2STE1MTLF	15	17.14	19.8
15	HFW15R-2STE1MTLF	14	16.14	18.8
14	HFW14R-2STE1MTLF	13	15.14	17.8
13	HFW13R-2STE1MTLF	12	14.14	16.8
12	HFW12R-2STE1MTLF	11	13.14	15.8
11	HFW11R-2STE1MTLF	10	12.14	14.8
10	HFW10R-2STE1MTLF	9	11.14	13.8
9	HFW9R-2STE1MTLF	8	10.14	12.8
8	HFW8R-2STE1MTLF	7	9.14	11.8
7	HFW7R-2STE1MTLF	6	8.14	10.8
6	HFW6R-2STE1MTLF	5	7.14	9.8
5	HFW5R-2STE1MTLF	4	6.14	8.8
4	HFW4R-2STE1MTLF	3	5.14	7.8
CIRCUIT	CATALOG NO.	A	B	C

NOTES

- THIS PRODUCT IS THE CONNECTOR DESIGNED TO TERMINATE FPC/FFC AND COPE WITH AUTOMATIC MOUNTING (SMT).
- MISALIGNMENT OF SOLDER TAIL AND SMT CLIP FROM DATUM E : UPPER DIRECTION 0.10 MAX. , LOWER DIRECTION 0.15 MAX.
- THIS PRODUCT IS UPPER CONTACT TYPE CONNECTOR.
- THIS PRODUCT MEETS EUROPEAN UNION DIRECTIVES AND OTHER COUNTRY REGULATIONS AS DESCRIBED IN GS-22-008.
- THE HOUSING WILL WITHSTAND EXPOSURE TO 260°C PEAK TEMPERATURE FOR 10 SECONDS IN A REFLOW SOLDERING OVEN.
- THIS CATALOG NO. INDICATES PLASTIC TAPE PACKAGED CONNECTOR.
- A  $\triangle$  B SYMBOL WILL BE NEXT TO ANY DIMENSION, VIEW, OR NOTE WHICH HAS BEEN MODIFIED WITH THE CURRENT DRAWING REVISION.

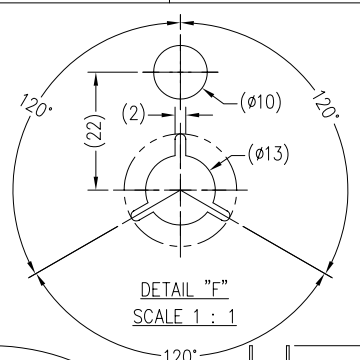
mat'l. code		tolerances unless otherwise specified		projection	product family
ltr	ecn no	dr	date	$\oplus$	FFC/FPC
B				mm	title
		angles	linear	scale 4:1	1mm SPACING SMT FPC/FFC CONNECTOR
		x'±2'	dr DENNIS GOH 081222		dwg no sheet 3 of 6 size
		enr DENNIS GOH 100513	chr DENNIS GOH 100513		10094688 A4
		appd JOEY NG 100513			type Product Customer Drawing
sheet index	revision sheet				

PDM: Rev:B

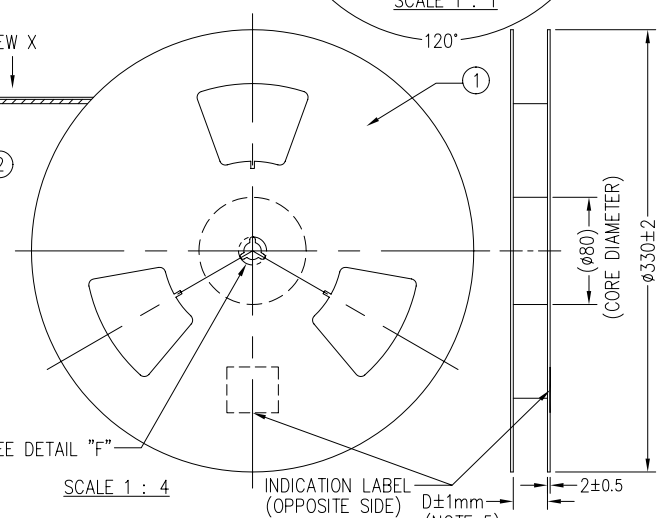
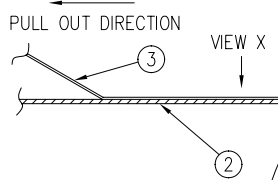
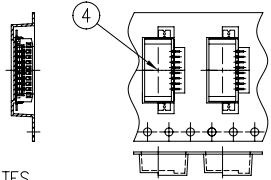
STATUS: Released

Printed: Jun 01, 2010

P/N:	PARTS NAME	CATALOG NO.	MATERIAL	QUANTITY	NOTE
①	REEL	-----	POLYSTYRENE (PS) <RECYCLE MATERIAL CONTAINED>	01	COLOR: BLACK
②	PLASTIC (EMBOSSED) CARRIER TAPE	-----	POLYSTYRENE (0.4mm Thick)	-----	COLOR: (CLEAR) TRANSPARENCY
③	COVER (TOP TAPE)	-----	POLYESTER	-----	COLOR: (CLEAR) TRANSPARENCY
④	CONNECTOR	HFW__R-2STE1MTLF	SEE ATTACHED DRAWING	1,000PCS/REEL	UPPER CONTACT TYPE

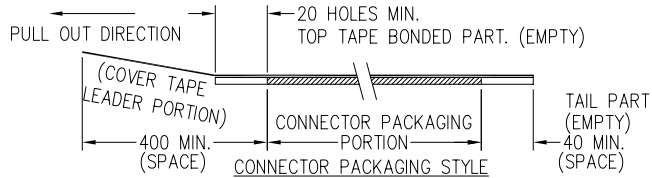


UNLESS OTHERWISE SPECIFIED: ±5, ANGLE ±5° TOLERANCES

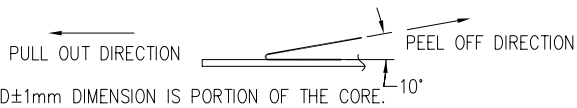


NOTES

- THIS IS PLASTIC TAPE PACKAGED CONNECTOR DESIGNED TO TERMINATE FPC/FFC AND COPES WITH AUTOMATIC MOUNTING (SMT).
- SEE JIS C 0806 (PACKING OF ELECTRONICS COMPONENTS ON CONTINUOUS TAPES, SURFACE MOUNT DEVICES) FOR SHAPE AND DIMENSIONS OF PLASTIC (EMBOSSED) TAPE AND REEL.
- LEAD TAPE LENGTH



- PEELING OFF FORCE OF TOP TAPE TAPE: 0.1N~0.7N(10.2gf~71.4gf) (PEELING DIRECTION AS SHOWN IN FOLLOWING FIG.) THIS REQUIREMENT SHOULD BE APPLIED AT SHIPMENT. PEEL OFF SHOULD NOT BE ALLOWED, DURING TRANSPORTATION.

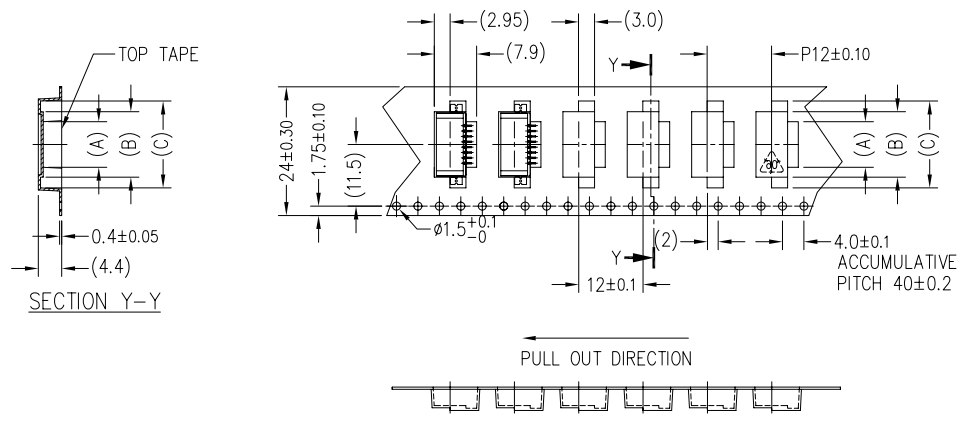


mat'l. code		tolerances unless otherwise specified		projection		product family	
ltr	ecn no	dr	date	angles	linear	mm	FFC/FPC
B				---	xx±.20	mm	title
					scale 4:1		1mm SPACING SMT FPC/FFC CONNECTOR
		dr	DENNIS GOH	081222			dwg no
		enr	DENNIS GOH	100513			sheet 4 of 6
		chr	DENNIS GOH	100513			size
		appd	JOEY NG	100513			10094688
							A4
sheet index	revision sheet						type
							Product Customer Drawing

PDM: Rev:B

STATUS: Released

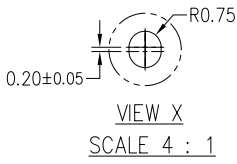
Printed: Jun 01, 2010



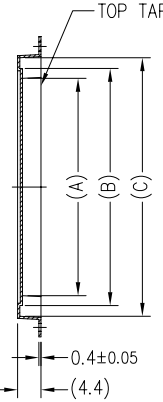
24mm WIDTH CARRIER TAPE

10	HFW1QR-2STE1MTLF	10.5	14.2	18.2	25.5	24
9	HFW9R-2STE1MTLF	9.5	13.2	17.2		
8	HFW8R-2STE1MTLF	8.5	12.2	16.2		
7	HFW7R-2STE1MTLF	7.5	11.2	15.5		
6	HFW6R-2STE1MTLF	6.5	10.2	14.2		
5	HFW5R-2STE1MTLF	5.5	9.2	13.2		
4	HFW4R-2STE1MTLF	4.5	8.2	12.2		
CIRCUIT	CATALOG NO.	(A)	(B)	(C)	D±1mm REEL CORE	CARRIER TAPE WIDTH

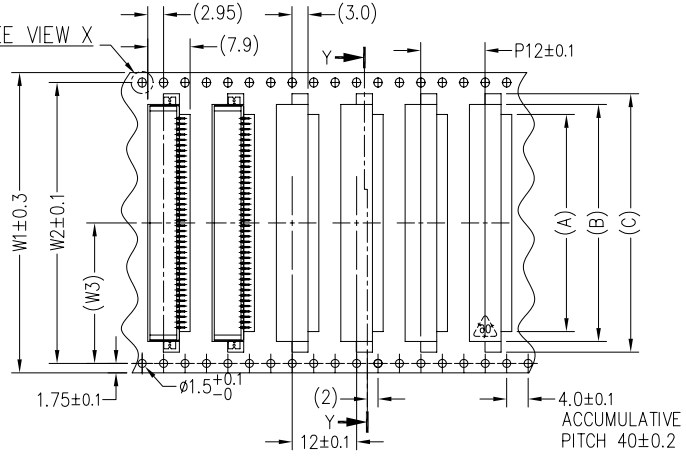
mat'l. code		tolerances unless otherwise specified		projection	product family
ltr	ecn no	dr	date	 mm scale 4:1	FFC/FPC
B					title
				angles	1mm SPACING SMT FPC/FFC CONNECTOR
				linear	dwg no
				x'±2'	sheet 5 of 6
				dr	size
				enr	10094688
				chr	A4
				appd	type
					Product Customer Drawing
sheet index	revision sheet				



SECTION Y-Y



SEE VIEW X



PULL OUT DIRECTION



32mm, 44mm, & 56mm WIDTH CARRIER TAPE

30	HFW30R-2STE1MTLF	30.5	34.2	38.2	57.5	56	52.4	26.2
29	HFW29R-2STE1MTLF	29.5	33.2	37.2				
28	HFW28R-2STE1MTLF	28.5	32.2	36.2				
27	HFW27R-2STE1MTLF	27.5	31.2	35.2				
26	HFW26R-2STE1MTLF	26.5	30.2	34.2				
25	HFW25R-2STE1MTLF	25.5	29.2	33.2				
24	HFW24R-2STE1MTLF	24.5	28.2	32.2	45.5	44	40.4	20.2
23	HFW23R-2STE1MTLF	23.5	27.2	31.2				
22	HFW22R-2STE1MTLF	22.2	26.2	30.2				
21	HFW21R-2STE1MTLF	21.5	25.2	29.2				
20	HFW20R-2STE1MTLF	20.5	24.2	28.2				
19	HFW19R-2STE1MTLF	19.5	23.2	27.2				
18	HFW18R-2STE1MTLF	18.5	22.2	26.2	33.5	32	28.4	14.2
17	HFW17R-2STE1MTLF	17.5	21.2	25.2				
16	HFW16R-2STE1MTLF	16.5	20.2	24.2				
15	HFW15R-2STE1MTLF	15.5	19.2	23.2				
14	HFW14R-2STE1MTLF	14.5	18.2	22.2				
13	HFW13R-2STE1MTLF	13.5	17.2	21.2				
12	HFW12R-2STE1MTLF	12.5	16.2	20.2	D±1mm	W1	W2	(W3)
11	HFW11R-2STE1MTLF	11.5	15.2	19.2				
CIRCUIT	CATALOG NO.	(A)	(B)	(C)	REEL CORE	CARRIER TAPE		

mat'l. code		tolerances unless otherwise specified		projection	product family
ltr	ecn no	dr	date	 mm scale 4:1	FFC/FPC
B					title
				angles	1mm SPACING SMT
				linear	FPC/FFC CONNECTOR
				x'±2'	dwg no
				dr	10094688
				enr	sheet 6 of 6
				chr	size
				appd	A4
					type
					Product Customer Drawing
sheet index	revision sheet				

Copyright FCI FCIconnect.com