

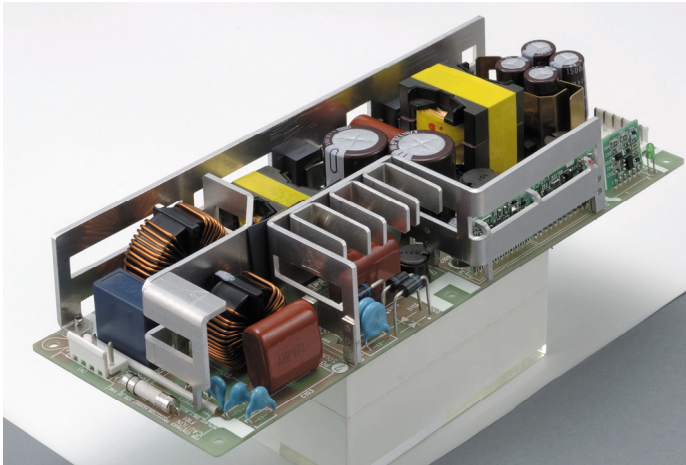


ETA-USA

HIGH QUALITY SWITCHING POWER SUPPLIES

**AC/DC SWITCHING POWER SUPPLY
SINGLE CHANNEL OUTPUT
300 WATTS
UNIVERSAL INPUT**

BBS SERIES



General Description

The BBS series is a powerful and compact 300W power supply. In comparison to other 300W power supplies, the BBS300 series is roughly half the size. Its fan-less cooling is a result of its high efficiency at 88.5%. It saves energy by suppressing heat while maintaining high reliability.

Features

1. Small-sized and lightweight
2. High efficiency 24V output 88.5% @100VAC input, 90% @240VAC input
3. Over current protection
4. Over voltage protection
5. Compliant with EMC directive

Application

Broad needs

Input

Input Voltage:	AC100~240V
Input Voltage Range:	AC90~264V (DC120~350V) (Does not operate continuously at 85~90AC input range)
Input current:	1.5~3.4A
Frequency:	50/60 Hz
Frequency Range:	47~63Hz
Phase:	Single
Inrush Current: *1	20A (Typ.) at AC100VAC 40A (Typ.) 240VAC

Options

- Wire harness set (40m)
- Connector type (terminal type standard)
- Vertical/horizontal mount
- Leakage current protection
- Remote ON/OFF
- Remote control "-R" for 24V series
- Certified:



ETA USA
16170 Vineyard Blvd. Suite 180, Morgan Hill, CA 95037
Phone: 1-800-ETA-POWR, (408) 778-2793 Fax: (408) 779-2753

Visit us at: www.eta-usa.com
email at: sales@eta-usa.com

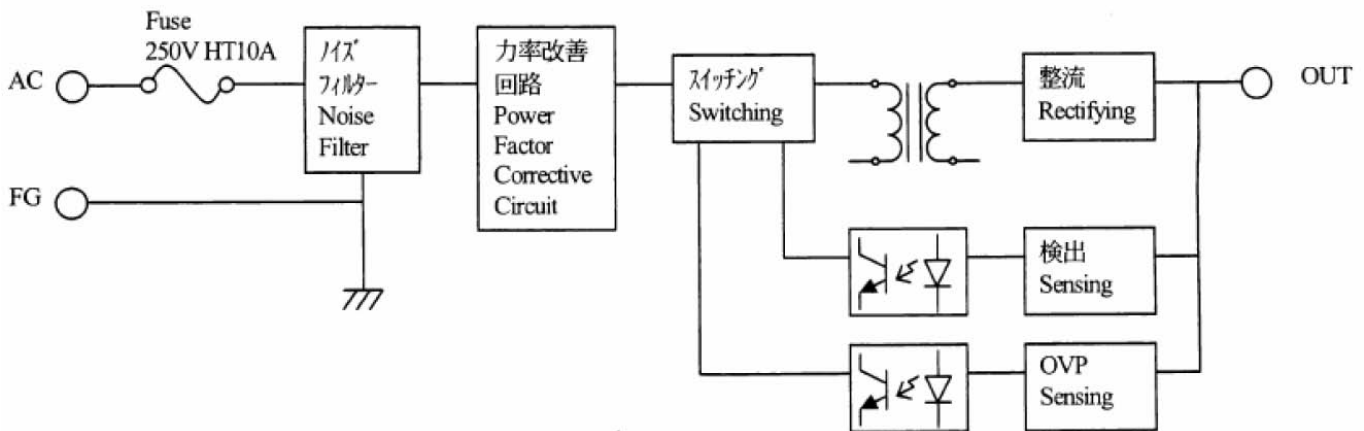


ETA-USA

HIGH QUALITY SWITCHING POWER SUPPLIES

Output Characteristic	Unit	Models		
		BBS300-24	BBS300-36	BBS300-48
Output Voltage	Vdc	24	36	48
Output Current	A	12.5	8.33	6.25
Voltage Adjust Range	V	±5% of Rated Output Voltage (at no load within the input range)		
Ripple & Noise(max)	mVpp	340	360	480
Rise time	mS	1000 mS max		
Hold up time	mS	20 mS typical		
Regulation				
a. Line Regulation [max]	mV	192mV Max.	Info soon	Info soon
b. Load Regulation	mV	216mV Max. (85~264VAC input voltage, 0~100% Load)	Info soon	Info soon
c. Temperature Coefficient	°C	V1: 7.2mV/°C (-10~71°)		
d. Drift(maximum)	mV	V1:135mV Max. up ~8H after 1H	Info soon	Info soon
e. Dynamic Load Regulation (typ.) *2	mV	± 1200mV typ.@ rated input; load change between 25%~75%	Info soon	Info soon
f. Recovery Time *2	mS	30mS typ.@ rated input; load change between 25%~75%		
Efficiency *1	%	88.5% typical		
Power Factor *1		0.98 at 100VAC / 0.92 at 240VAC		

11. BLOCK DIAGRAM



ETA USA
 16170 Vineyard Blvd. Suite 180, Morgan Hill, CA 95037
 Phone: 1-800-ETA-POWR, (408) 778-2793 Fax: (408) 779-2753

Visit us at: www.eta-usa.com
 email at: sales@eta-usa.com



ETA-USA

HIGH QUALITY SWITCHING POWER SUPPLIES

Environmental Specification	
Operating Temperature*3	-10 to +71 °C
Derating Curve	-3.5%/°C (from 50°C to 71°C), not available at > 71°C
Operating Humidity	20~90[%RH] (non-condensing)
Storage Temperature	-20 to +80°C except thermal shock
Storage Humidity	10~90%/RH(non-condensing)
Withstanding Voltage	Primary-Secondary AC3,000V for 1minute Primary-Frame Ground AC2,00V for 1minute Secondary-Frame Ground AC1,000V for 1minute *Sensory Current: P-S, P-FG, S-FG (20mA)]
Isolation Resistance	Primary-Secondary-Frame Ground 100MΩ(minimum) by DC500V insulation tester
Vibration	5~10Hz: 10mm XYZ Axis. 10~55Hz:19.6 m/ s ² XYZ Axis.
Shock	196 m/s ² on x,y,z axis
Cooling	Convection
Leakage current	1mA max (25°C, within input voltage range)
Environmental Agencies	
Line Conducted Noise [EMI]	FCC Part 15 class A; VCCI Class A; EN55022 Class A Complied with
Line Harmonic Distortion/Current	IEC61000-3-2 Complied with
Safety	Complies with UL: UL60950-1 C-UL: CSA60950-1 SEMKO: EN60950-1 CE: EN60950-1 (LVD)
Function/Protection	
Over current Protection	Vertical Current limiting, automatic recovery However, overload and short circuit operation over 30 seconds are not guaranteed.
Over voltage Protection	Output shutdown at more than 115% of rated output volt (33.6V Max.), recover after 3 minutes
Remote Sense	Not available
Remote Control	Available
Series Operation	Not available
Parallel Operation	Not available
Input Fuse	Built in (AC250[V], 10A)
Mechanical	
Dimension [mm]	85W × 222L × 40H
Weight [g] (typical)	650g

Conditions:

*1 Rated input and Rated output

*2 at Output current quick change 25% to 75%

*3 At 100% load (convection cooling)



ETA USA

16170 Vineyard Blvd. Suite 180, Morgan Hill, CA 95037

Phone: 1-800-ETA-POWR, (408) 778-2793 Fax: (408) 779-2753

Visit us at: www.eta-usa.com

email at: sales@eta-usa.com

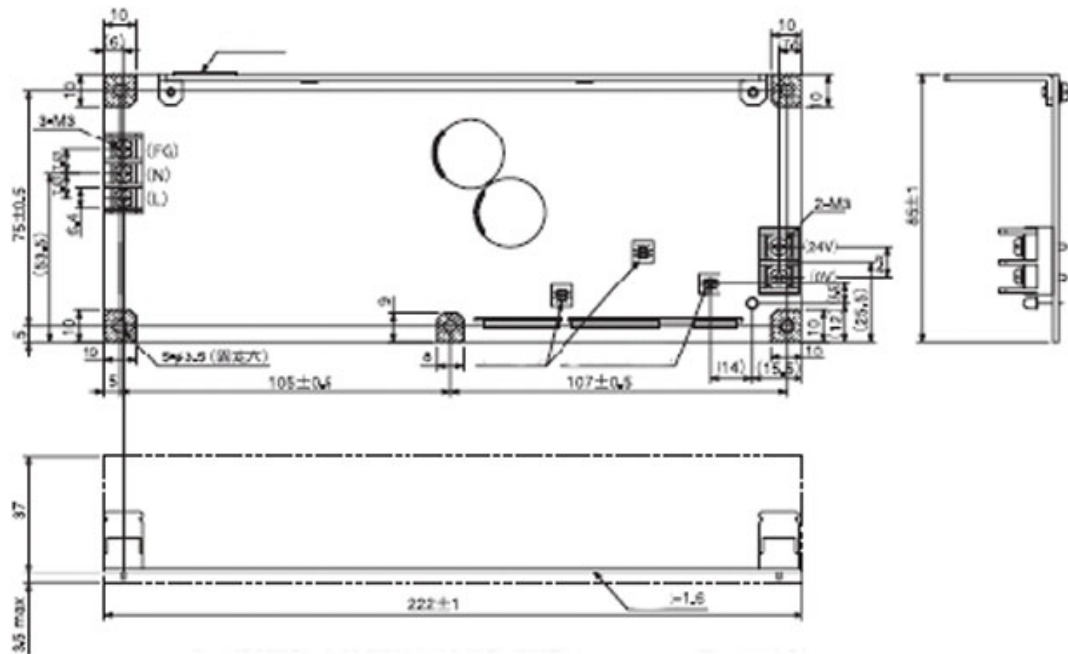


ETA-USA

HIGH QUALITY SWITCHING POWER SUPPLIES

DIMENSIONS

BBS300-24



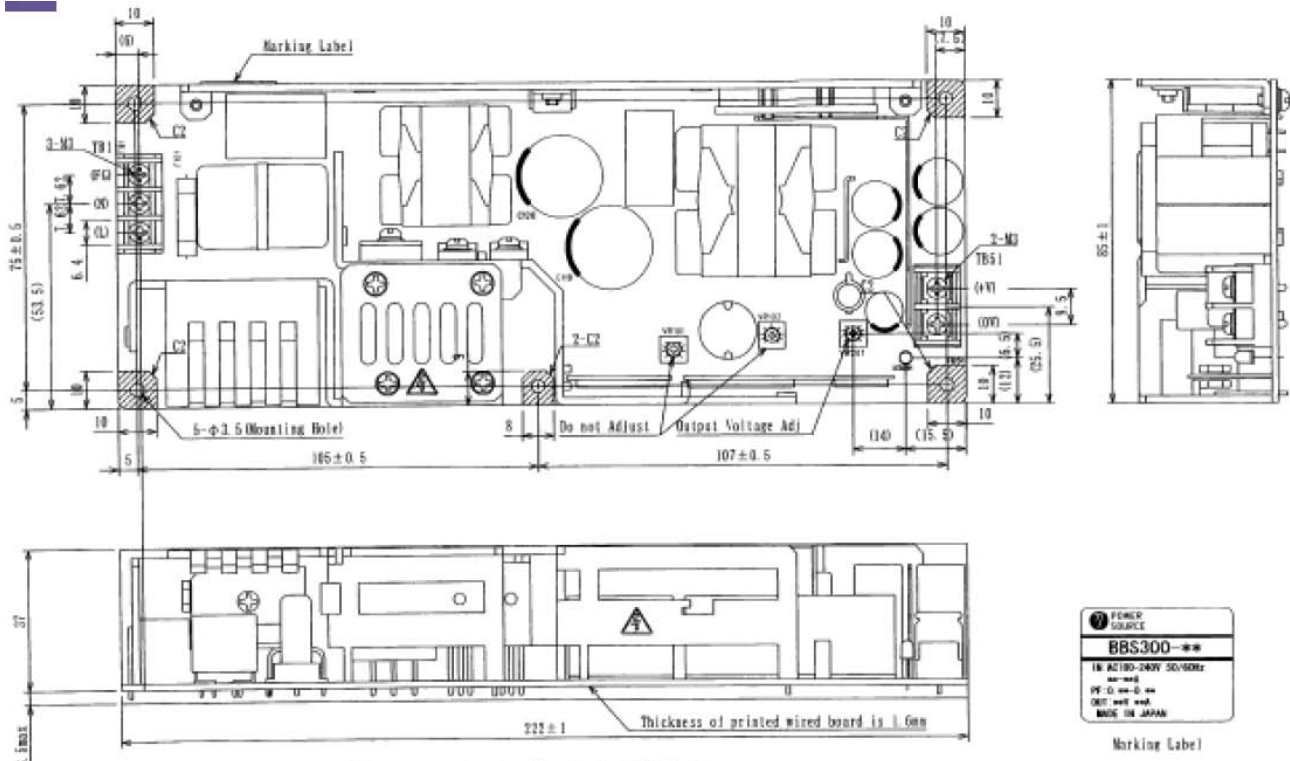
ETA USA
16170 Vineyard Blvd. Suite 180, Morgan Hill, CA 95037
Phone: 1-800-ETA-POWR, (408) 778-2793 Fax: (408) 779-2753

Visit us at: www.eta-usa.com
email at: sales@eta-usa.com



ETA-USA

HIGH QUALITY SWITCHING POWER SUPPLIES



Outline Drawings

*There are no parts and patterns in this area.
 *Please use five mounting holes.

* General Tolerance ±1



ETA USA
 16170 Vineyard Blvd. Suite 180, Morgan Hill, CA 95037
 Phone: 1-800-ETA-POWR, (408) 778-2793 Fax: (408) 779-2753

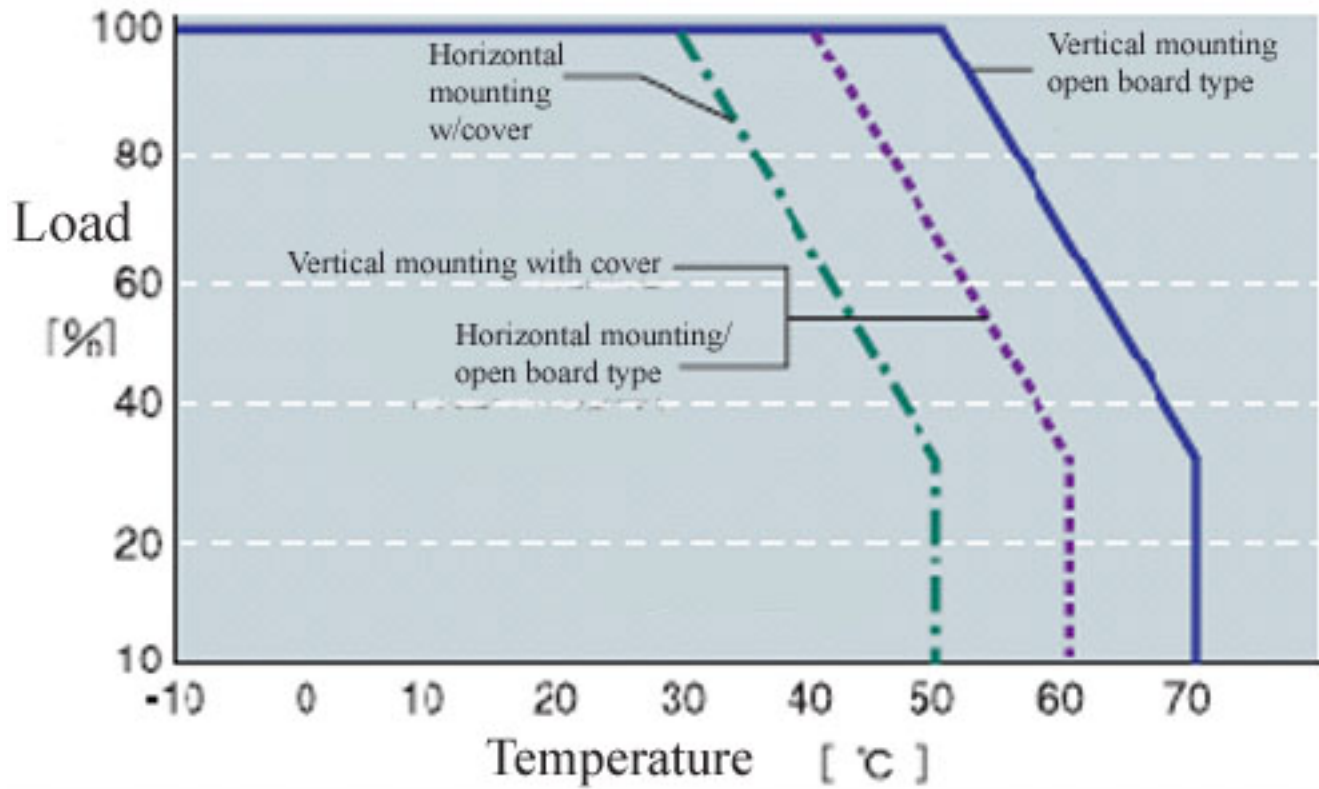
Visit us at: www.eta-usa.com
 email at: sales@eta-usa.com



ETA-USA

HIGH QUALITY SWITCHING POWER SUPPLIES

Derating curve



ETA USA
16170 Vineyard Blvd. Suite 180, Morgan Hill, CA 95037
Phone: 1-800-ETA-POWR, (408) 778-2793 Fax: (408) 779-2753

Visit us at: www.eta-usa.com
email at: sales@eta-usa.com



■ BBS300-24 (300W)

Output current and efficiency

