

3,622" x 4,015" x 3,878"

92 x 102 x 98,5 mm

551CTF

ETRI[®]

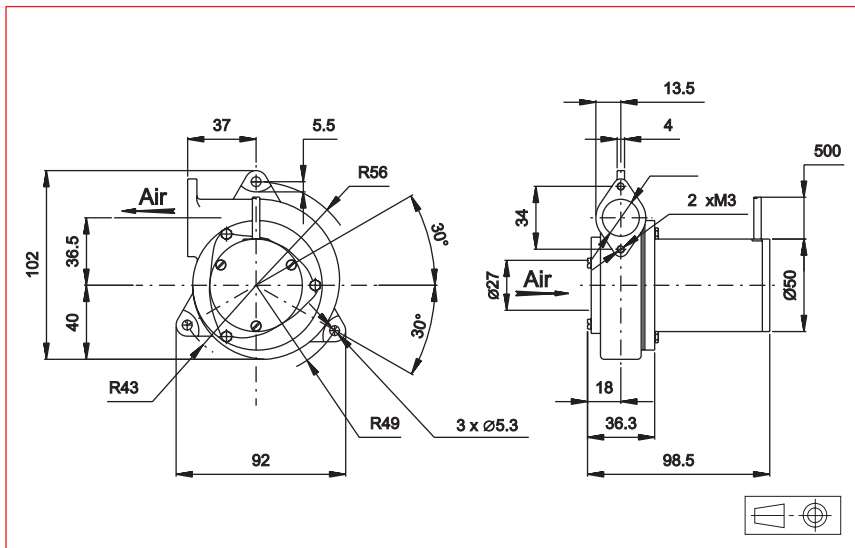
400Hz Fans



Approvals

Life expectancy

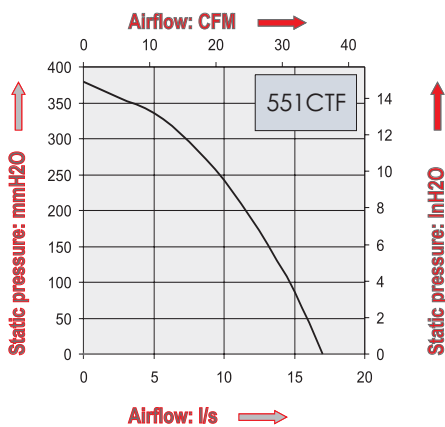
L-10 LIFE AT 40°C :
25000 hours



400 Hz Motor

Housing material: aluminium
Impeller material: plastic
Weight: 140 g
Bearing system: ball bearings

Connection: flying leads



Part Number	Nominal voltage	Airflow	Noise level	Nominal speed	Phases	Capacitor (not included)	Input power	Nominal Current	Starting Current	Operating temperature	
	V	l/s	dB(A)	RPM		µF	W	mA	mA	Min.°C	Max.°C
551CTF0062C13	115	17	82	23000	3		120	800	4700	-10	70
	115	17	82	23000	1	3,2	130	1150	3900	-10	70
551CTF0060C13	200	17	82	23000	3		120	465	2700	-10	70
	200	17	82	23000	1	1	130	665	2250	-10	70

Additional versions:

Salt spray protected - Shock & Vibration protected
Air specifications