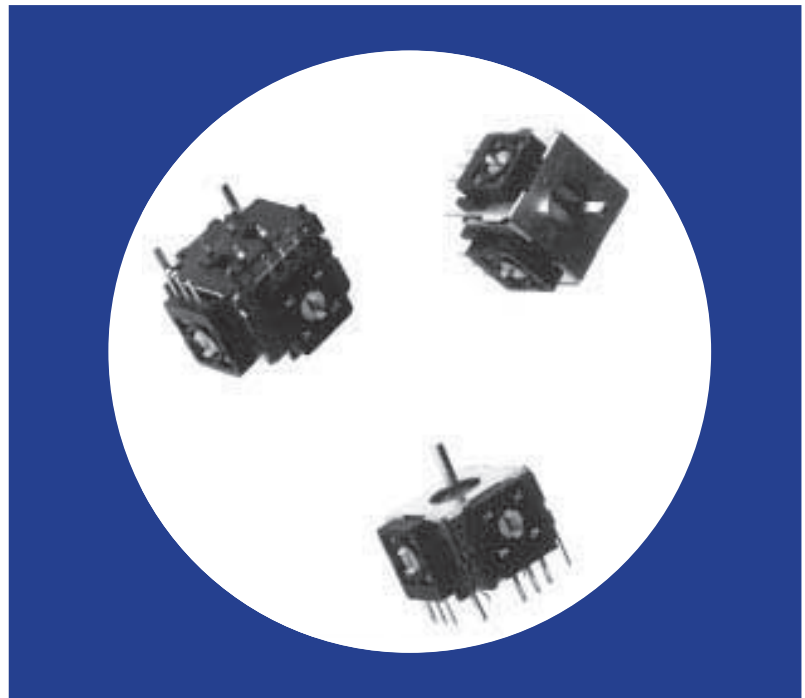


Two Axis, Mini-joystick With Momentary Switch

Features

- Compact Size (20x21x13mm)
- Long Life 1 Million Cycles
- Optional momentary switch is operational at all rotations
- Sturdy metal case with convenient mounting tabs
- RoHS compliant



Pat. No: US 6,353,430 , Taiwan: 128688.

Electrical and Mechanical Specifications

Potentiometer 1 & 2

Resistance Range

10 K ohms through 200 K ohms

Resistance Tolerance

Standard : $\pm 30\%$

Special: $\pm 10\%$, $\pm 20\%$ available

Dielectric Strength

250 VAC 50/60 Hz for 1 minute

Insulation Resistance

100 Megohms @ 250 VDC for 1 minute

Operational Torque

200 ± 80 gf.cm

Power Rating

0.0125 watt @ 50°C, Derated to no load at 85°C

Operating Voltage

50 VAC or 5 VDC maximum

Angle of Rotation

60° maximum

Life

1,000,000 cycles

Available Switch

Type

Momentary

Contact Resistance

100 milliohms maximum initially

200 milliohms max after 500,000 cycles

switching 5 mA @ 5 VDC

Dielectric Strength

250 VAC 50/60 Hz for 1 minute

Insulation Resistance

100 Megohms minimum @ 100 VDC

Operational Force

800 ± 200 gf

Power Rating

5 VDC, 50 mA maximum

Travel

0.9 ± 0.4 mm

Switch Life

500,000 cycles

Electrical and Mechanical Specifications

Potentiometer 1 & 2

Operating Temperature

-10°C to +70°C

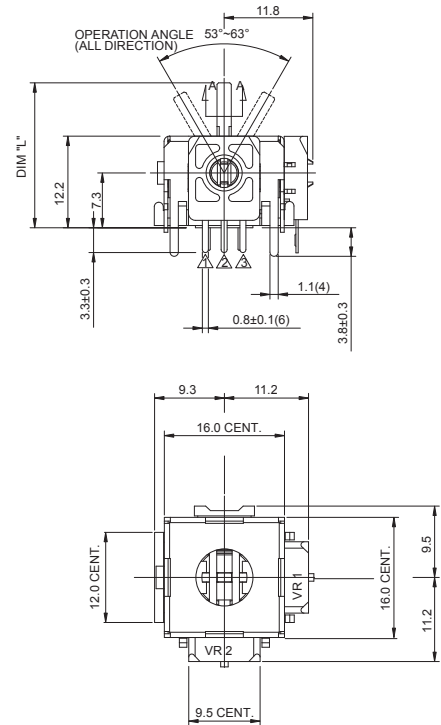
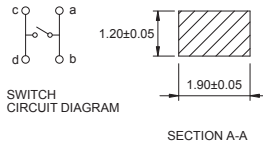
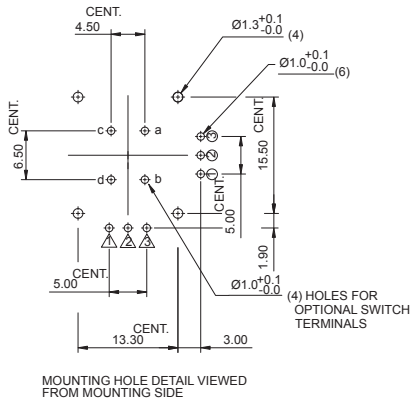
Soldering Conditions

260 ± 5°C for 5 seconds

Mounting Information

PC Terminals

CTS Series 252



DIMENSION: $\frac{\text{mm}}{\text{inch}}$

Ordering Information

