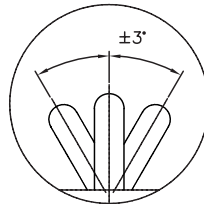
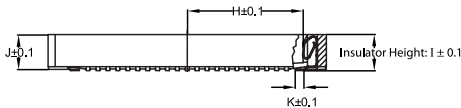
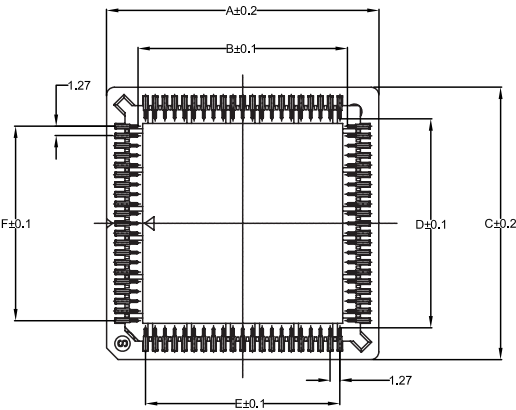


PLCC SMD Type PPS Brown Color without Post 850SMTPLCC-XXPPSTN



Specifications

Current Rating: 1 Amp.
Dielectric Withstand : 500V AC for 1 min.
Contact Resistance: 30m ohms max. at DC100MA
Insulator Resistance: 1000 Megaohms Min. at DC500V
Operating Temperature : -55C ~ +105C
Housing Material: Polyphenylene Sulfide PPS
& 40% Glass Fiber (UL-94V-0)
Contact Material: Phosphor Bronze
Plating: 150µ" Min SnCu 50u" MIN Nickel Overall

Part Numbering System

850SMTPLCC - XX PPS T N X X

Insulator Height:
Blank = 4.6mm, Standard
3.8 = 3.8mm, Low
4.3 = 4.3mm, Only for 32pins

Packing Method:
R = Tape and Reel
Blank = Tube

Post Option:
N = Without Post

Plating:
T = Tin Plating

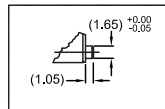
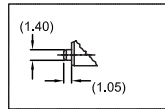
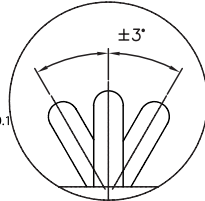
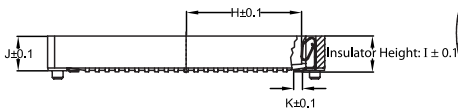
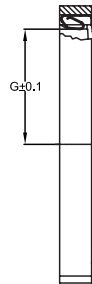
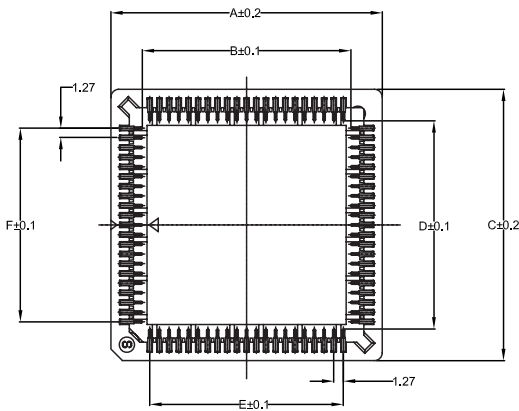
No. Of Pins

No. Of Pos.	Dimensions											J	K
	A	B	C	D	E	F	G	H	I	I	I		
20P	.585 (14.86)	.276 (7.02)	.585 (14.86)	.276 (7.02)	.200 (5.08)	.200 (5.08)	.181 (4.60)	.181 (4.60)	.181 (4.60)	.15 (3.8)	/	.175 (4.45)	.043 (1.10)
28P	.683 (17.34)	.374 (9.50)	.683 (17.34)	.374 (9.50)	.300 (7.62)	.300 (7.62)	.231 (5.88)	.231 (5.88)	.181 (4.60)	.15 (3.8)	/	.175 (4.45)	.043 (1.10)
32P	.768 (19.50)	.476 (12.10)	.667 (16.95)	.378 (9.60)	.400 (10.16)	.300 (7.62)	.228 (5.78)	.278 (7.05)	.181 (4.60)	.15 (3.8)	.169 (4.30)	.151 (3.83)	.043 (1.10)
44P	.883 (22.42)	.571 (14.50)	.883 (22.42)	.571 (14.50)	.500 (12.70)	.500 (12.70)	.329 (8.35)	.329 (8.35)	.181 (4.60)	.15 (3.8)	/	.175 (4.45)	.043 (1.10)
52P	1.000 (25.40)	.679 (17.24)	1.000 (25.40)	.679 (17.24)	.600 (15.24)	.600 (15.24)	.383 (9.73)	.383 (9.73)	.181 (4.60)	.15 (3.8)	/	.175 (4.45)	.043 (1.10)
68P	1.202 (30.54)	.876 (22.26)	1.202 (30.54)	.876 (22.26)	.800 (20.32)	.800 (20.32)	.480 (12.20)	.480 (12.20)	.181 (4.60)	.15 (3.8)	/	.175 (4.45)	.043 (1.10)
84P	1.400 (35.56)	1.076 (27.34)	1.400 (35.56)	1.076 (27.34)	1.000 (25.40)	1.000 (25.40)	.582 (14.79)	.582 (14.79)	.181 (4.60)	.15 (3.8)	/	.175 (4.45)	.043 (1.10)

General Tolerance	
X. ± 0.50	X." ± 5"
.X ± 0.20	.X" ± 2"
.XX ± 0.10	.XX" ± 1"
Units : mm	

Rev. No. : PT01

PLCC SMD Type PPS Brown Color with Post 850SMTPLCC-XXPPSTP



Specifications

Current Rating: 1 Amp.
 Dielectric Withstand : 500V AC for 1 min.
 Contact Resistance: 30m ohms max. at DC100MA
 Insulator Resistance: 1000 Megaohms Min. at DC500V
 Operating Temperature : -55C ~ +105C
 Housing Material: Polyphenylene Sulfide PPS
 & 40% Glass Fiber (UL-94V-0)
 Contact Material: Phosphor Bronze
 Plating: 150µ" Min SnCu 50u" MIN Nickel Overall

Part Numbering System

850SMTPLCC - XX PPS T P X X

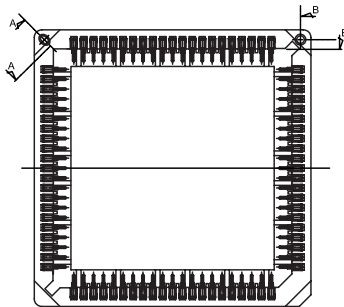
Insulator Height:
 Blank = 4.6mm, Standard
 3.8 = 3.8mm, Low
 4.3 = 4.3mm, Only for 32pins

Packing Method:
 R = Tape and Reel
 Blank = Tube

Post Option:
 P = With Post

Plating:
 T = Tin Plating

Standard
 Lower
 Extension



No. Of Pos.	Dimensions											No. Of Pins	
	A	B	C	D	E	F	G	H	I	I	J		K
20P	.585 (14.86)	.276 (7.02)	.585 (14.86)	.276 (7.02)	.200 (5.08)	.200 (5.08)	.181 (4.60)	.181 (4.60)	.181 (4.60)	.15 (3.8)	/	.175 (4.45)	.043 (1.10)
28P	.683 (17.34)	.374 (9.50)	.683 (17.34)	.374 (9.50)	.300 (7.62)	.300 (7.62)	.231 (5.88)	.231 (5.88)	.181 (4.60)	.15 (3.8)	/	.175 (4.45)	.043 (1.10)
32P	.768 (19.50)	.476 (12.10)	.667 (16.95)	.378 (9.60)	.400 (10.16)	.300 (7.62)	.228 (5.78)	.278 (7.05)	.181 (4.60)	.15 (3.8)	.169 (4.30)	.151 (3.83)	.043 (1.10)
44P	.883 (22.42)	.571 (14.50)	.883 (22.42)	.571 (14.50)	.500 (12.70)	.500 (12.70)	.329 (8.35)	.329 (8.35)	.181 (4.60)	.15 (3.8)	/	.175 (4.45)	.043 (1.10)
52P	1.000 (25.40)	.679 (17.24)	1.000 (25.40)	.679 (17.24)	.600 (15.24)	.600 (15.24)	.383 (9.73)	.383 (9.73)	.181 (4.60)	.15 (3.8)	/	.175 (4.45)	.043 (1.10)
68P	1.202 (30.54)	.876 (22.26)	1.202 (30.54)	.876 (22.26)	.800 (20.32)	.800 (20.32)	.480 (12.20)	.480 (12.20)	.181 (4.60)	.15 (3.8)	/	.175 (4.45)	.043 (1.10)
84P	1.400 (35.56)	1.076 (27.34)	1.400 (35.56)	1.076 (27.34)	1.000 (25.40)	1.000 (25.40)	.582 (14.79)	.582 (14.79)	.181 (4.60)	.15 (3.8)	/	.175 (4.45)	.043 (1.10)

General Tolerance	
X. ± 0.50	X.' ± 5'
.X ± 0.20	.X' ± 2'
.XX ± 0.10	.XX' ± 1'
Units : mm	

Rev. No. : PT01