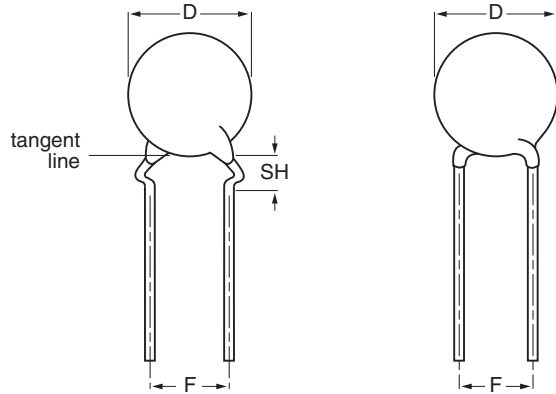


Ceramic Disc Capacitors

Safety, Class X1/Y2 440/250 V (AC) Series DN



Capacitors with 7.5 mm (0.30")/10 mm (0.40") lead spacing.

INSULATION RESISTANCE AT 500 V (DC):

≥ 10000 MΩ

TOLERANCE ON CAPACITANCE:

± 10 %; ± 20 %; - 20 /+ 80 %

DISSIPATION FACTOR:

at 1 kHz; 1 V (RMS); 2.5 % max

TEMPERATURE COEFFICIENTS:

U2M; Y5P; Z5U; Y5U; Y5V

APPROVALS:

ENEC, UL, CSA

CLIMATIC CATEGORY:

25/125/56 or 25/85/21

OPERATING TEMPERATURE RANGE:

- 30 to + 125 °C

MARKING

Marking indicates capacitance value and tolerance in accordance with "EIA 198", voltage and approval marks.

FEATURES

- Complying with "EN 132 400" and "IEC 60384-14, 2nd edition, including amendment 1.1995"
- High reliability
- Kinked (preferred) or straight leads
- Lead (Pb)-free available



RoHS
COMPLIANT

APPLICATIONS

- Across-the-line
- Line by-pass
- Antenna coupling

DESIGN

The capacitors consist of a ceramic disc both sides of which are silver-plated. Connection leads are made of tinned copper having a diameter of 0.6 mm or 0.8 mm.

The capacitors may be supplied with kinked or straight leads having a lead spacing of 7.5 mm (0.300") or 10 mm (0.400") and a lead length from 4 to 30 mm. The standard tolerance on capacitance is ± 10 % for U2M, Y5P material, ± 20 % for Z5U, Y5U material and - 20 /+ 80 % for Y5V. Encapsulation is made of flammable resistant epoxy resin in accordance with "UL94V-0".

CAPACITANCE RANGE:

at 1 kHz, 1 V (RMS); 10 to 10000 pF

RATED VOLTAGE U_R:

(X1): 440 V (AC), 50 Hz (IEC 60384-14.2)

(Y2): 250 V (AC), 50 Hz (IEC 60384-14.2)

DIELECTRIC STRENGTH BETWEEN LEADS:

Component test:

2500 V (AC), 50 Hz, 2 seconds

As repeated test admissible only once with:

2250 V (AC), 50 Hz, 2 seconds

Random sampling test (destructive test):

2500 V (AC), 50 Hz, 60 seconds

DIELECTRIC STRENGTH OF BODY INSULATION:

2500 V (AC), 50 Hz, 60 seconds (destructive test)

The capacitors meet the essential requirements of "EIA 198". Unless stated otherwise all electrical values apply at an ambient temperature of 25 ± 3°C, at normal atmospheric conditions.

ORDERING INFORMATION 250V (AC)							
C (pF)	TOL. (%)	D _{max} (mm)	LEAD SPACING F (mm)	SH ⁽²⁾ (mm)	CLEAR TEXT CODE		
					13 th DIGIT: T = REEL; U = AMMO; 3 = BULK ⁽³⁾ 16 th DIGIT: R = RoHS COMPLIANT		
U2M							
10	± 10	6.5	7.5	4.0	S100K25U2MS6.K7.		
15					S150K25U2MS6.K7.		
22					S220K25U2MS6.K7.		
33					S330K25U2MS6.K7.		
47					S470K29U2MS6.K7.		
68					S680K33U2MS6.K7.		
Y5P							
100	± 10	8.5	7.5	4.0	S101K33Y5PS6.K7.		
150					S151K33Y5PS6.K7.		
220					S221K33Y5PS6.K7.		
330					S331K33Y5PS6.K7.		
470					S471K33Y5PS6.K7.		
680					S681K39Y5PS6.K7.		
1000					S102K43Y5PS6.K7.		
Z5U							
1000	± 20	8.5	7.5	4.0	S102M33Z5US6.K7.		
1500		10.0			S152M39Z5US6.K7.		
2200		11.0			S222M43Z5US6.K7.		
3300		13.5			S332M53Z5US6.K7.		
3900		15.0			S392M53Z5US6.K7.		
4700		17.5			S472M59Z5US63K7.		
6800		21.5	10		S682M69Z5US83K0.		
10000					S103M84Z5US83K0.		
Y5U							
1000		± 20	7.5		7.5	4.0	S102M29Y5US6.K7.
1500	8.5		S152M33Y5US6.K7.				
2200	10.0		S222M39Y5US6.K7.				
3300	12.0		S332M47Y5US6.K7.				
3900	13.5		S392M53Y5US6.K7.				
4700				S472M53Y5US6.K7.			
Y5V							
2200	- 20 /+ 80	8.5	7.5	4.0	S222Z33Y5VS6.K7.		
4700		12.0			S472Z47Y5VS6.K7.		
10000		16.0			S103Z63Y5VS83K7.		

Notes

1. Maximum thickness 6.0 mm.
2. SH = seated height.
3. Straight leads are available on request.

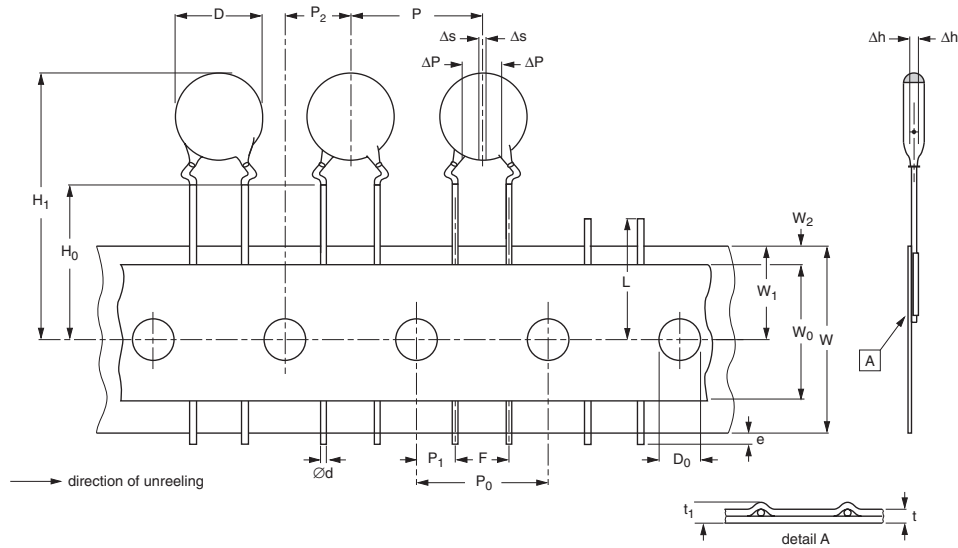
PACKAGING				
D _{max} (mm)	SIZE CODE	PACKAGING QUANTITIES		
		BULK	REEL	AMMO
8.5 (0.33")	33	1000	1000	1000
10.0 (0.39")	39			
11.0 (0.43")	43			
12.0 (0.47")	47			
13.5 (0.53")	53			
15.0 (0.59")	59	500	-	-
17.5 (0.69")	69			
19.0 (0.75")	75			
21.5 (0.84")	84			
		250		

Note

1. The capacitors are supplied in bulk packaging (cardboard boxes), in tape on reel or in ammpack.

Ceramic Disc Capacitors
Safety, Class X1/Y2 440/250 V (AC)
Series DN

Vishay BCcomponents



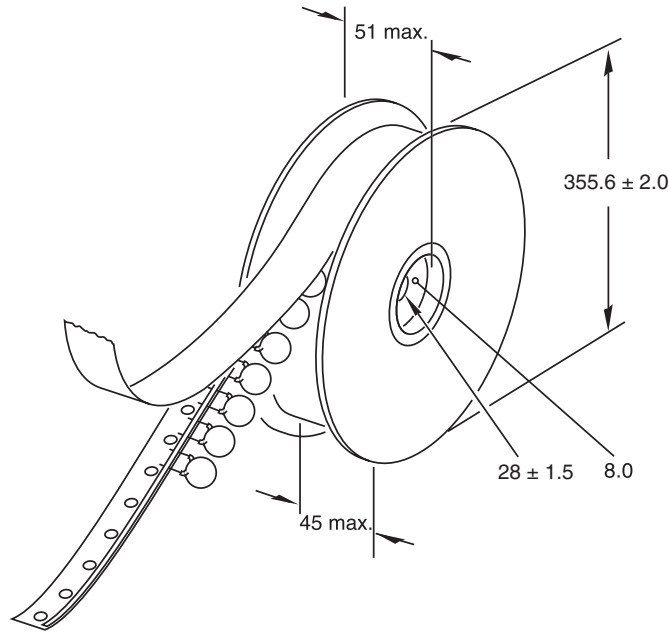
Kinked capacitors on tape, lead spacing 7.5 mm (0.30").

DIMENSIONS OF TAPE			
SYMBOL	PARAMETER	DIMENSIONS (mm)	
		NOMINAL	TOLERANCE
D	body diameter	14.0 max.	-
d	lead diameter	0.6	± 0.05
P	pitch between capacitors	15	± 1.0
P ₀	feed-hole pitch	15	± 0.3; note 1
ΔP	plane deviation	1.0 max.	-
P ₁	feed-hole centre to lead centre	3.75	± 0.7; note 2
P ₂	feed-hole centre to component centre	7.5	± 1.3; note 2
F	lead spacing	7.5	± 1.0
Δh	component alignment	0	± 1.0
Δs	deviation along tape, left or right	0	± 1.0
W	tape width	18.0	+ 1.0 -0.5
W ₀	hold-down tape width	5.0 min.	-
W ₁	hole position	9.0	+ 0.75 -0.5
W ₂	hold-down tape margin	3.0 max.	-
H ₀	height to seating plane	16.0	± 0.5
H ₁	maximum component height	40	-
e	lead end protrusion	1.0 max.	-
L	maximum length of snapped lead	11.0	-
D ₀	feed-hole diameter	4.0	± 0.2
t	total tape thickness	0.9 max.	-
t ₁	maximum thickness of tape and wires	1.5 max.	-

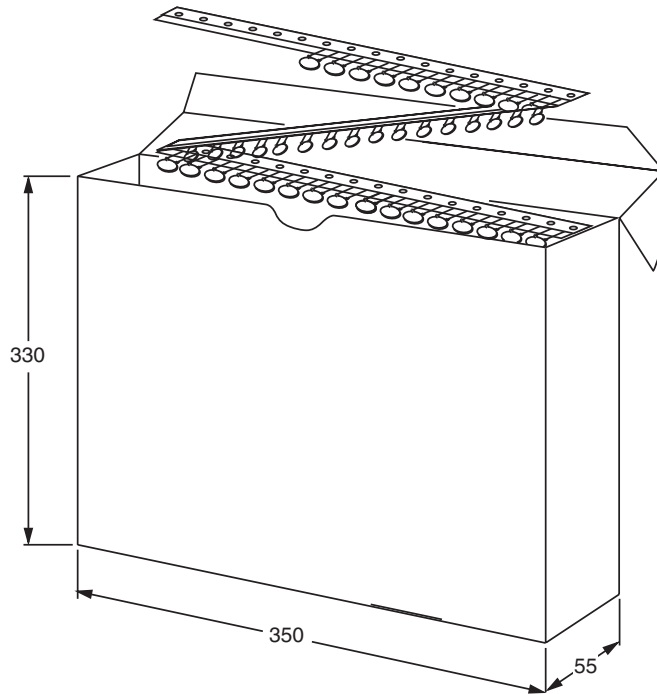
Notes

1. Cumulative pitch error: ± 1 mm / 20 pitches.
2. Obliquity maximum 3°.

REEL AND TAPE DATA in millimeters



Reel with capacitors on tape.



Ampopack with capacitors on tape.



Notice

Specifications of the products displayed herein are subject to change without notice. Vishay Intertechnology, Inc., or anyone on its behalf, assumes no responsibility or liability for any errors or inaccuracies.

Information contained herein is intended to provide a product description only. No license, express or implied, by estoppel or otherwise, to any intellectual property rights is granted by this document. Except as provided in Vishay's terms and conditions of sale for such products, Vishay assumes no liability whatsoever, and disclaims any express or implied warranty, relating to sale and/or use of Vishay products including liability or warranties relating to fitness for a particular purpose, merchantability, or infringement of any patent, copyright, or other intellectual property right.

The products shown herein are not designed for use in medical, life-saving, or life-sustaining applications. Customers using or selling these products for use in such applications do so at their own risk and agree to fully indemnify Vishay for any damages resulting from such improper use or sale.