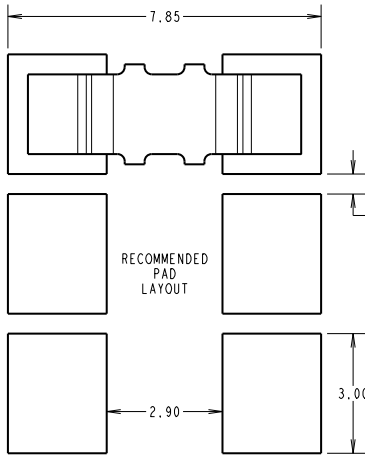
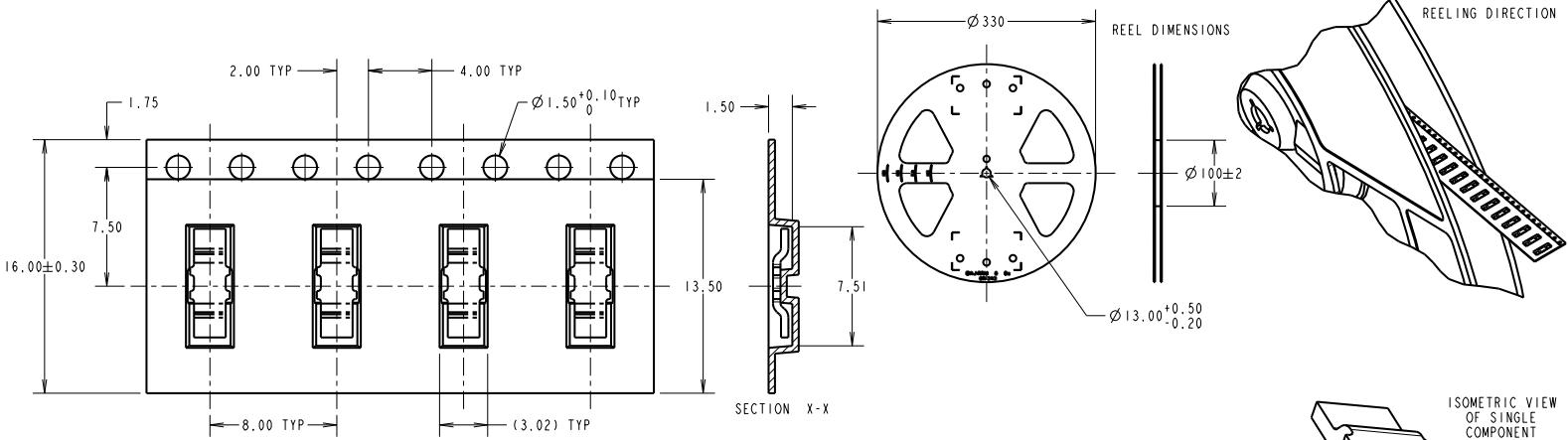


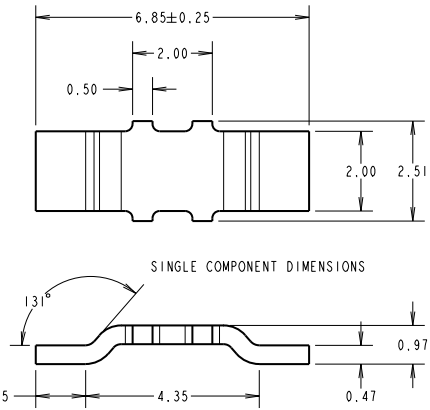
# Customer Information Sheet

DRAWING No.: S1911-46R SHEET 2 OF 2 IF IN DOUBT - ASK (C) NOT TO SCALE THIRD ANGLE PROJECTION ALL DIMENSIONS IN mm



- NOTES:  
 1. QUANTITY OF COMPONENTS PER REEL = 4,000.  
 2. THIS PRODUCT IS TAPED AND REELED IN ACCORDANCE WITH E11-481-2 (ELECTRONIC INDUSTRIES ASSOCIATION).

COMPONENT SPECIFICATION:  
 MATERIAL = BRASS CW508L  
 1/2 HARD TO BS 2870:1980  
 COMPOSITION (IN ACCORDANCE WITH BS 2870:1980) (BRM794)  
 FINISH = 100% TIN OVER NICKEL



SB	C	21.06.11	11337
NAME	ISS.	DATE	C/NOTE
APPROVED:	S.BENNETT		
CHECKED:	S.FLOWER		
DRAWN:	S.BENNETT		
CUSTOMER REF.:			
ASSEMBLY DRG:			

<b>HARWIN</b>			THIS DRAWING AND ANY INFORMATION OR DESCRIPTIVE MATTER SET OUT HEREON ARE CONFIDENTIAL AND COPYRIGHT PROPERTY OF THE HARWIN GROUP AND MUST NOT BE DISCLOSED, LOANED, COPIED OR USED FOR MANUFACTURING, TENDERING OR FOR ANY OTHER PURPOSE WITHOUT THEIR WRITTEN PERMISSION.	TOLERANCES X. = ±1mm X.X = ±0.25mm X.XX = ±0.10mm X.XXX = ±0.01mm ANGLES = ±5° UNLESS STATED	MATERIAL: SEE ABOVE FINISH: SEE ABOVE S/AREA: mm <sup>2</sup>	TITLE: SMT JUMPER LINK (TAPE AND REELED) DRAWING NUMBER: S1911-46R	SHT 2 OF 2
HARWIN USA TEL: 603 893 5376 FAX: 603 893 5396 mis@harwin.com	HARWIN Europe (UK) TEL: 023 9231 4545 FAX: 023 9231 4590 mis@harwin.co.uk	HARWIN Asia TEL: +65 6 779 4909 FAX: +65 6 779 3868 mis@harwin.com.sg					