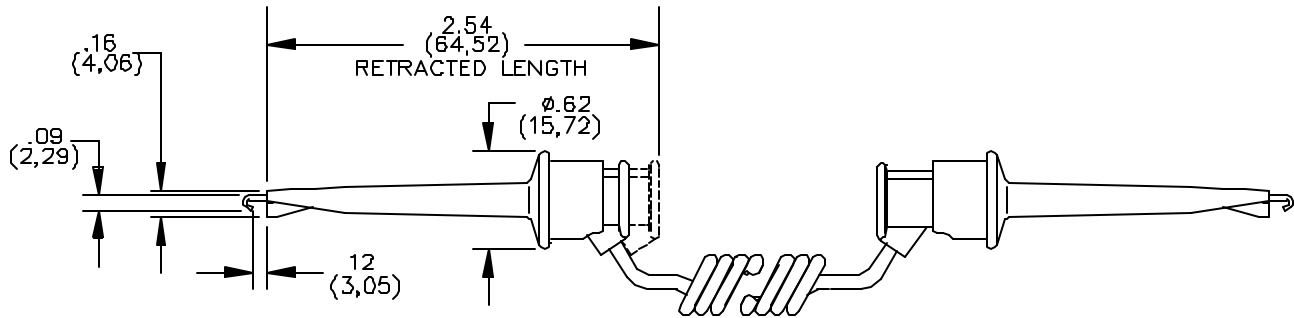


# Pomona®

## Model 4537 Patch Cord, Minigrabber® Test Clip Each End With Retractable Cord



### MATERIALS:

Body: Center Contact – Gold Plated Beryllium Copper, Spring: Stainless Steel

Insulation: Glass filled nylon. Color matches color of wire.

20 AWG Retractable Cord, .087 O.D. Extended Length: 48"

### RATINGS:

Voltage: Hand-held testing: 30VAC/60VDC Max.

Hands free testing in controlled voltage environments 300 WVDC Max.

Operating Temperature: +60°C. (+140°F.) Max.

Current: 5 Amperes

### ORDERING INFORMATION: Model 4537

Standard Colors: -0 Black, -2 Red

All dimensions are in inches. Tolerances (except noted): .xx = ±.02" (.51 mm), .xxx = ±.005" (.127 mm).

All specifications are to the latest revisions. Specifications are subject to change without notice.

Registered trademarks are the property of their respective companies. Made in USA

6/9/99

SY/EH/LS

T:\Release\DataSheets\FlukeDataSheet\FlukeDataSheet\d4537\_1\_01.doc

Sales: 909-469-2900 Fax: 909-629-3317

Technical Assistance: 800-241-2060

PomonaACCESS 90663 (800) 444-6785 or (949) 253-3858

More drawings available at [www.pomonaelectronics.com](http://www.pomonaelectronics.com)

Page 1 of 2

# Pomona®

**Model 4537**  
**Patch Cord, Minigrabber® Test Clip**  
**Each End With Retractable Cord**

onlinecomponents.com

All dimensions are in inches. Tolerances (except noted): .xx =  $\pm .02$ " (.51 mm), .xxx =  $\pm .005$ " (.127 mm).  
All specifications are to the latest revisions. Specifications are subject to change without notice.  
Registered trademarks are the property of their respective companies. Made in USA

6/9/99

SY/EH/LS

T:\Release\DataSheets\FlukeDataSheet\FlukeDataSheet\d4537\_1\_01.doc

**Sales: 909-469-2900 Fax: 909-629-3317**  
**Technical Assistance: 800-241-2060**

PomonaACCESS 90663 (800) 444-6785 or (949) 253-3858  
More drawings available at [www.pomonaelectronics.com](http://www.pomonaelectronics.com)

Page 2 of 2